



US00D360246S

United States Patent [19]

[11] Patent Number: **Des. 360,246**

Yeh

[45] Date of Patent: **** Jul. 11, 1995**

[54] EXERCISE MACHINE

4,618,144	10/1986	Gibson	482/138
4,621,810	11/1986	Cummins	482/97
4,834,396	5/1989	Schnell	482/97

[76] Inventor: **Jonathan Yeh**, No. 77-3, Nanshih Village, Linkou Hsiang, Taipei Hsien, Taiwan

Primary Examiner—Theodore M. Shooman
Assistant Examiner—Philip Hyder
Attorney, Agent, or Firm—William E. Pelton

[**] Term: **14 Years**

[21] Appl. No.: **21,759**

[57] **CLAIM**

[22] Filed: **Apr. 22, 1994**

The ornamental design for an exercise machine, as shown.

[52] U.S. Cl. **D21/195**

[58] Field of Search D21/191, 195; 482/92, 482/95, 97, 121, 129, 130

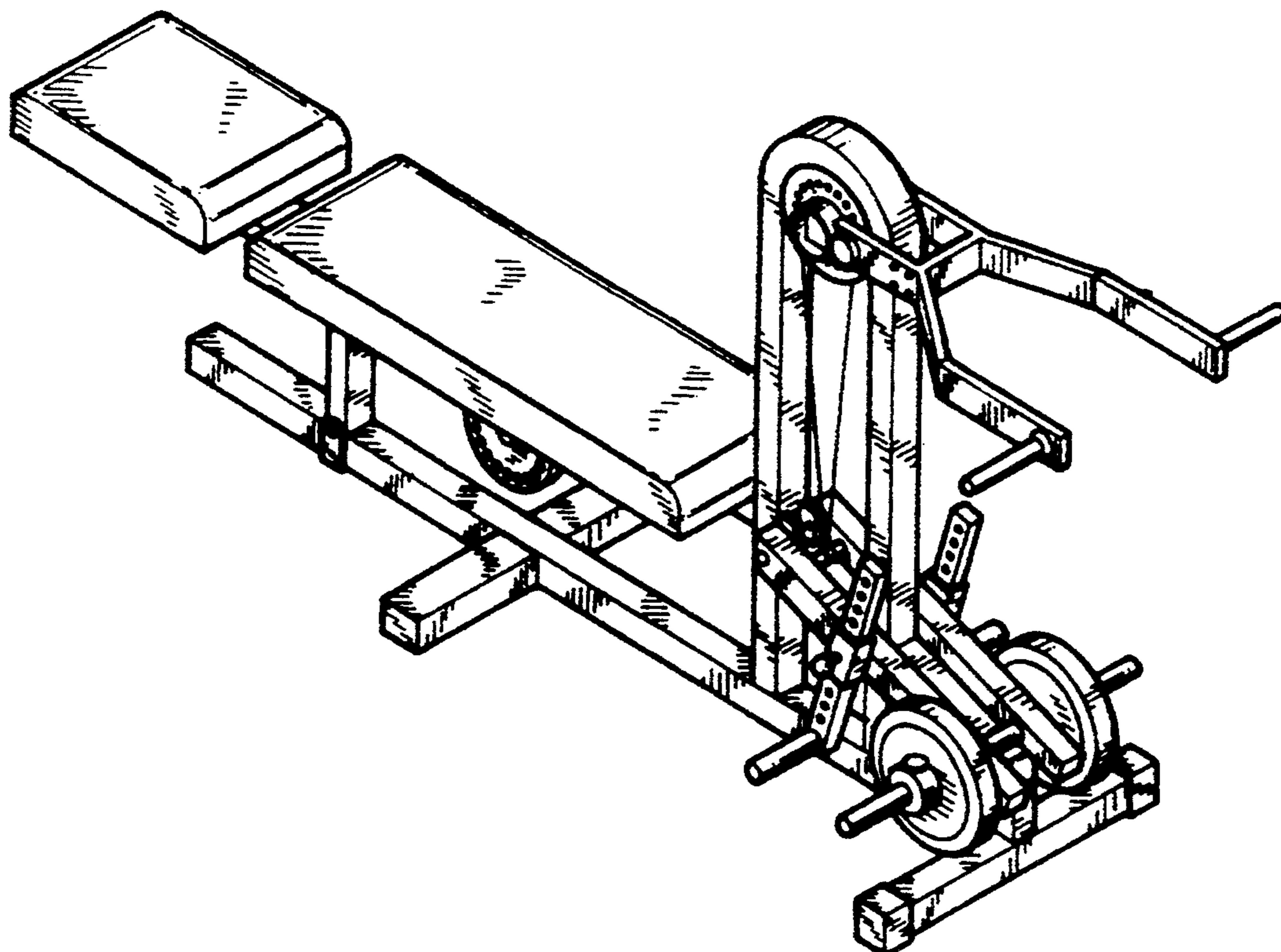
DESCRIPTION

[56] **References Cited**

U.S. PATENT DOCUMENTS

D. 325,610	4/1992	Walker et al.	D21/195
D. 329,672	9/1992	Shieh	D21/195
D. 343,878	2/1994	Hughes	D21/195
D. 351,634	10/1994	Cheng	D21/195

FIG. 1 is a perspective view of an exercise machine, showing my new design;
FIG. 2 is a front view thereof;
FIG. 3 is a rear view thereof;
FIG. 4 is a right side view thereof;
FIG. 5 is a left side view thereof;
FIG. 6 is a top view thereof; and,
FIG. 7 is a bottom view thereof.



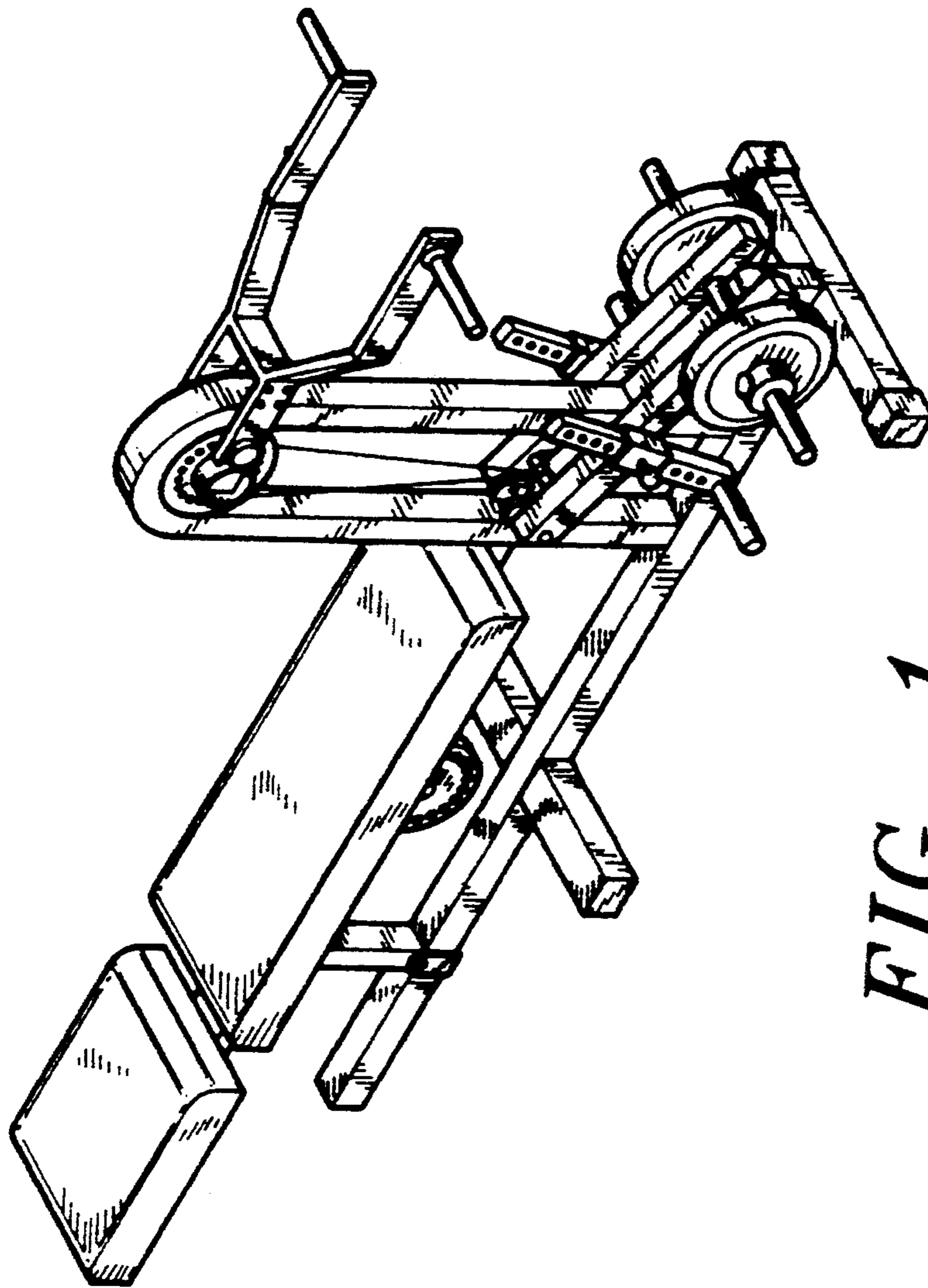


FIG. 1

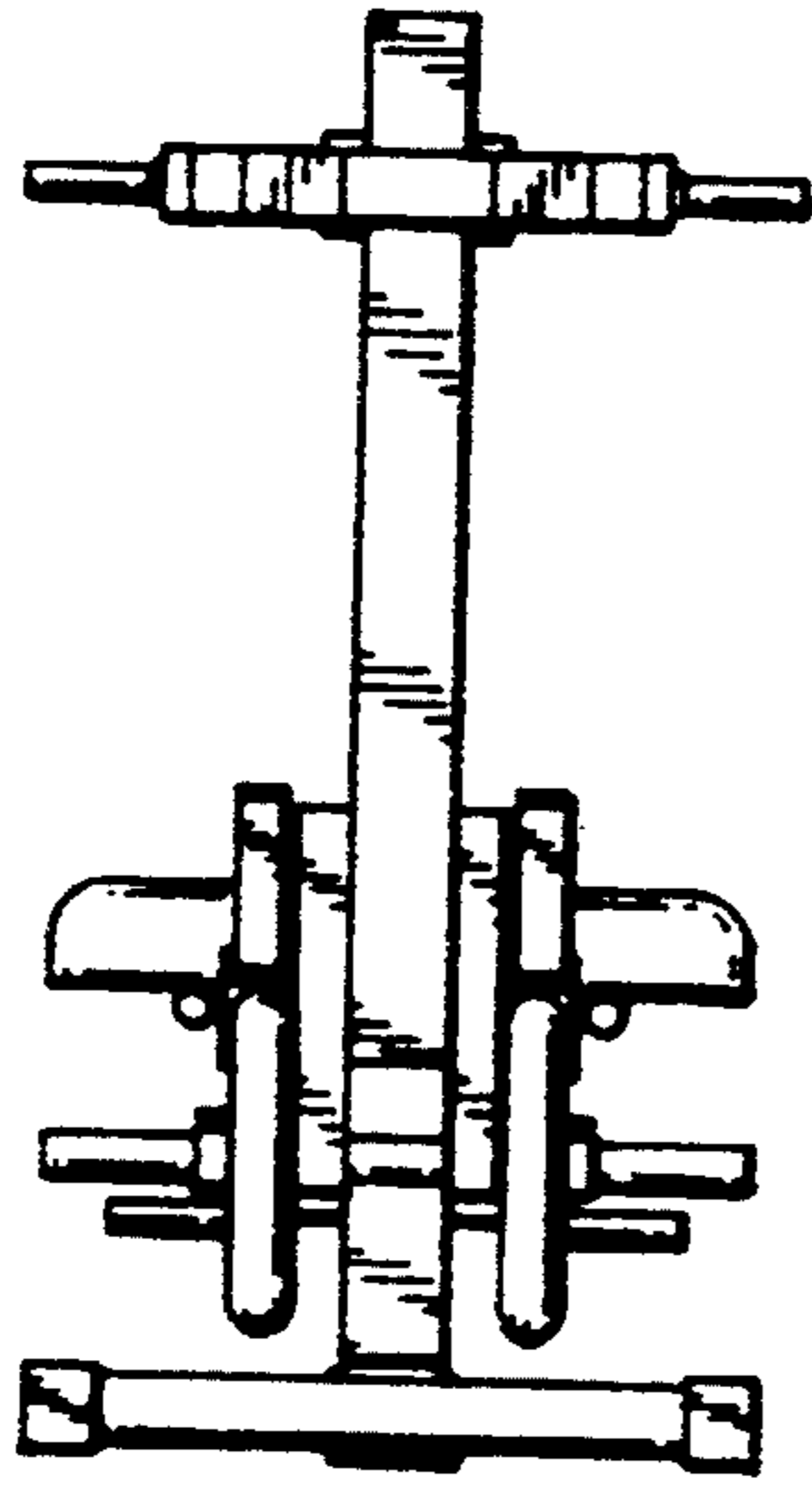


FIG. 2

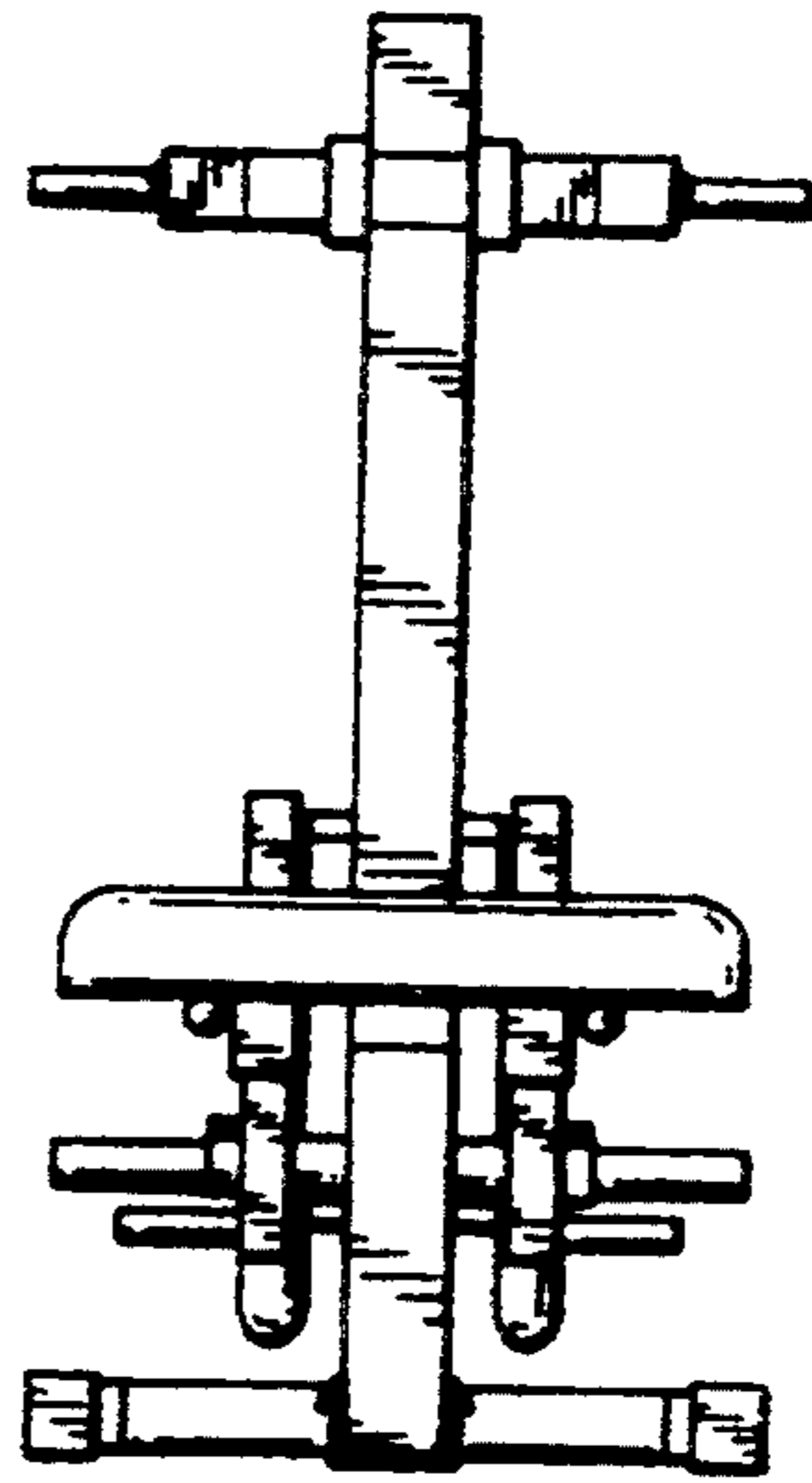


FIG. 3

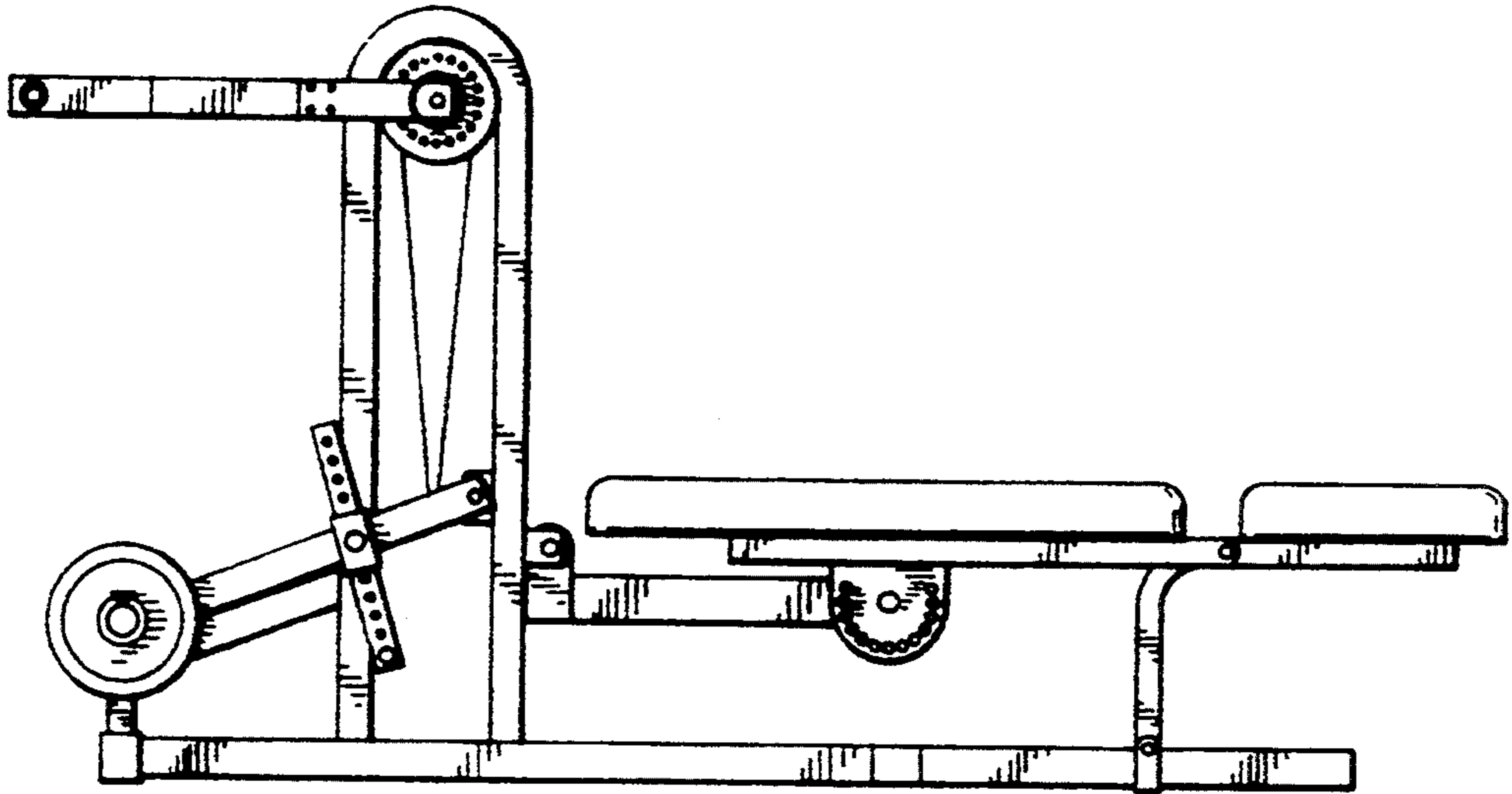


FIG. 5

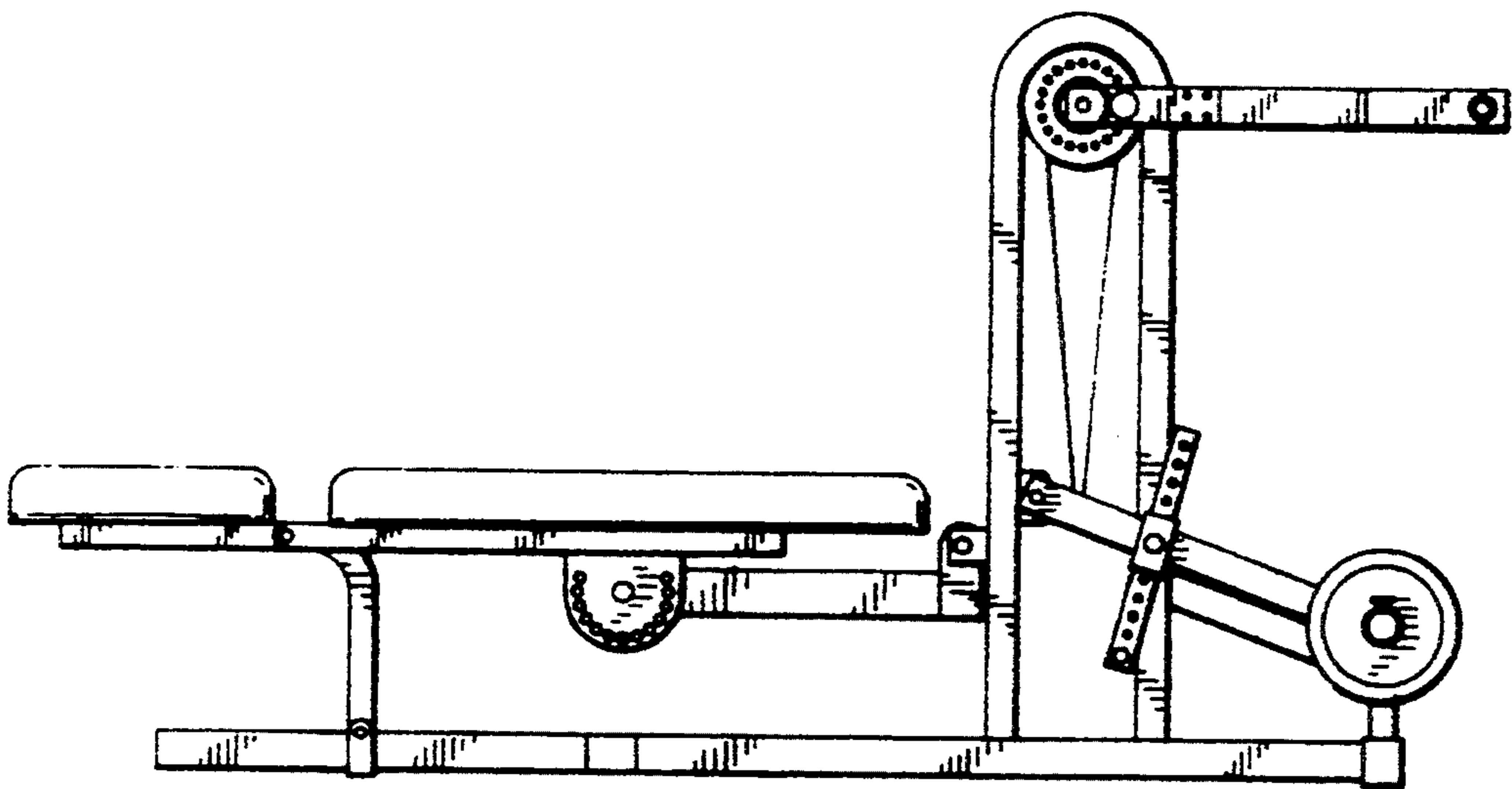


FIG. 4

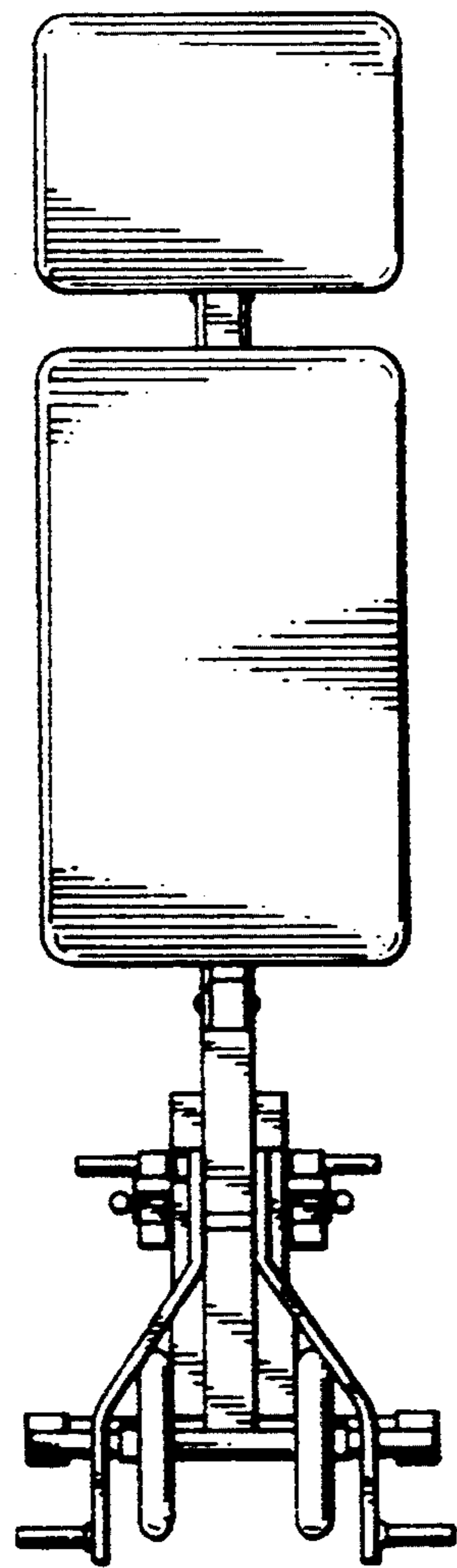


FIG. 6

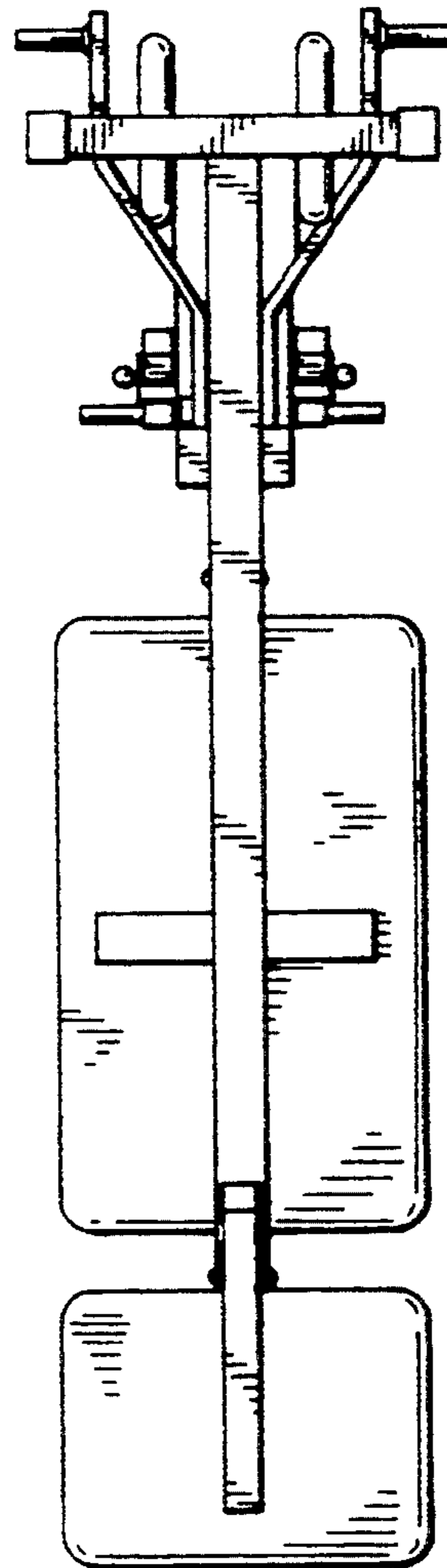


FIG. 7