



US00D360240S

United States Patent [19]

Hatting et al.

[11] Patent Number: **Des. 360,240**

[45] Date of Patent: **** Jul. 11, 1995**

[54] TOY BUILDING ELEMENT

[75] Inventors: **Jan Hatting; Ole V. Poulsen**, both of Vejle, Denmark

[73] Assignee: **Interlego AG**, Baar, Switzerland

[**] Term: **14 Years**

[21] Appl. No.: **29,158**

[22] Filed: **Sep. 29, 1994**

[52] U.S. Cl. **D21/108**

[58] Field of Search D21/108, 109, 124, 128, D21/132, 134, 141; 446/103, 104, 121, 128

4,044,497	8/1977	Bettens	446/103
4,103,451	8/1978	Kawada et al.	446/121
4,246,718	1/1981	Chatani	446/121
5,094,643	3/1992	Bolli et al.	446/121

Primary Examiner—Terry A. Wallace
Assistant Examiner—R. Barkai
Attorney, Agent, or Firm—Kane, Dalsimer, Sullivan, Kurucz, Levy, Eisele and Richard

[57] CLAIM

The ornamental design for a toy building element, as shown and described.

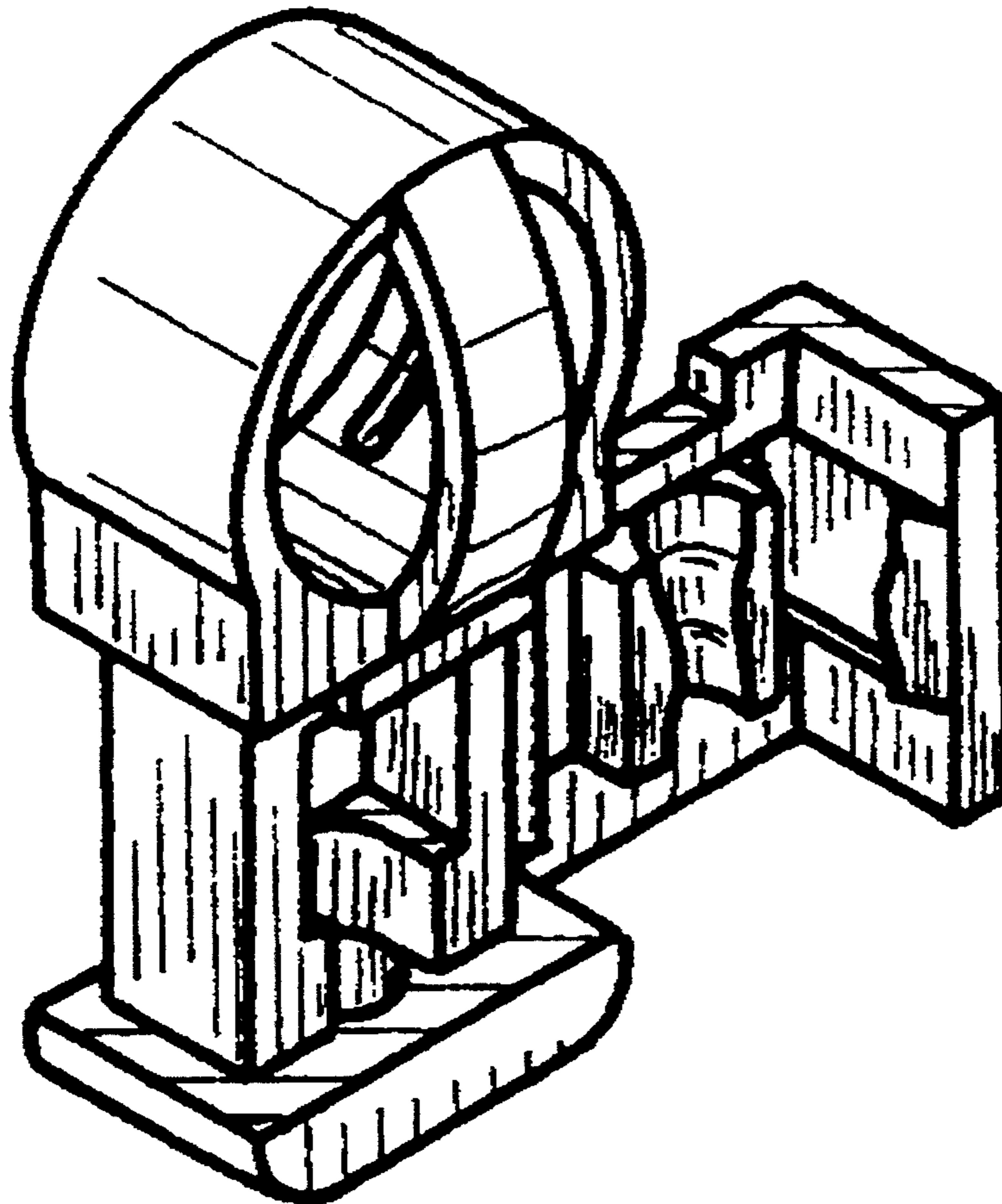
DESCRIPTION

FIG. 1 is a top perspective view of the toy building element showing our new design; FIG. 2 is a bottom perspective view thereof; FIG. 3 is a right side elevational view thereof; FIG. 4 is a front elevational view thereof; FIG. 5 is a left side elevational view thereof; FIG. 6 is a rear elevational view thereof; FIG. 7 is a bottom plan view thereof; and, FIG. 8 is a top plan view thereof.

[56] References Cited

U.S. PATENT DOCUMENTS

D. 281,440	11/1985	Petersson	D21/108
D. 304,472	11/1989	Poulsen	D21/108
D. 308,708	6/1990	Poulsen	D21/108
D. 344,769	3/1994	Poulsen	D21/108
1,309,240	7/1919	Chappuis	D21/108
1,490,379	4/1924	Gibbney	446/103
1,832,584	11/1931	Roger, Jr.	D21/108



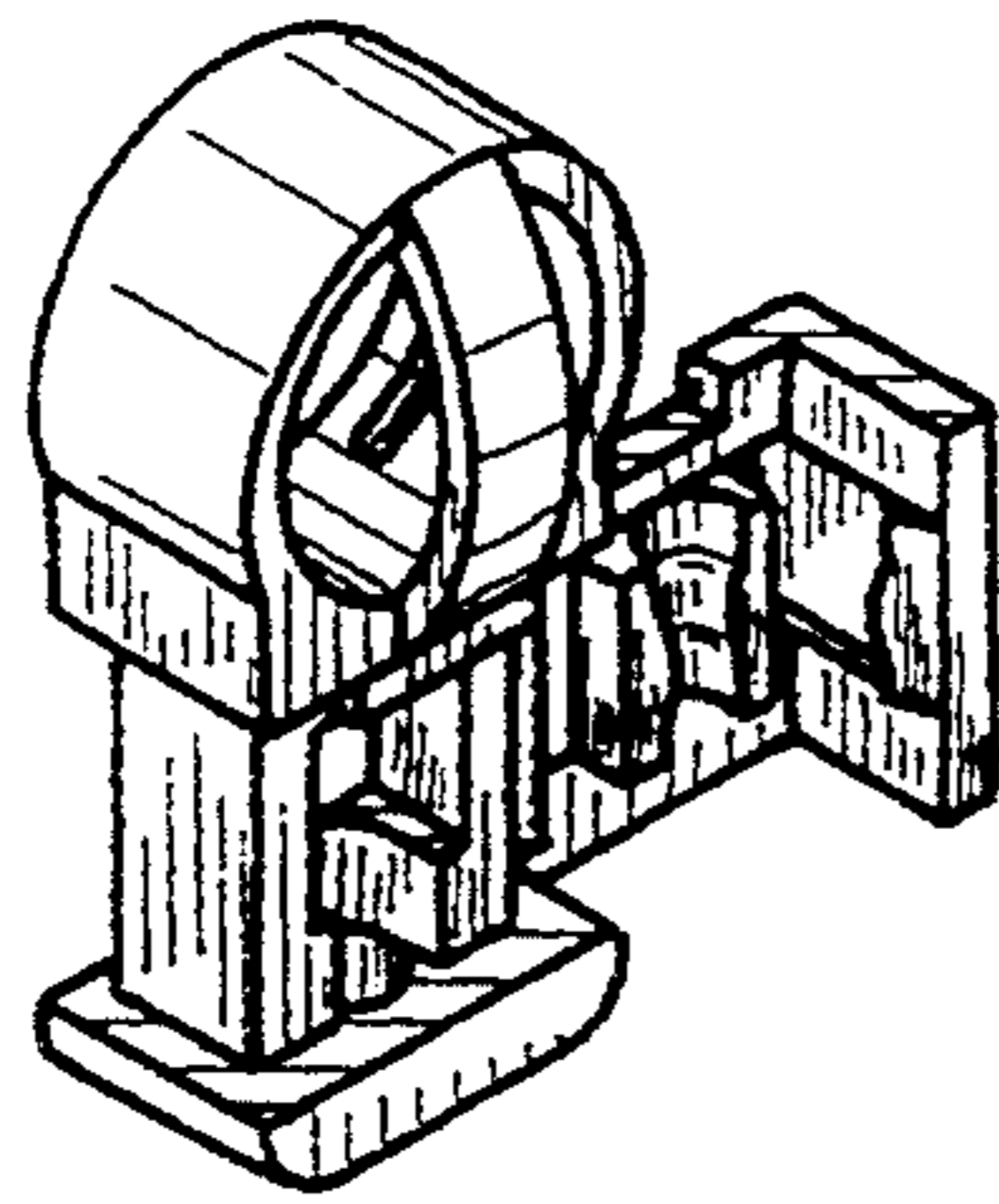


FIG. 1

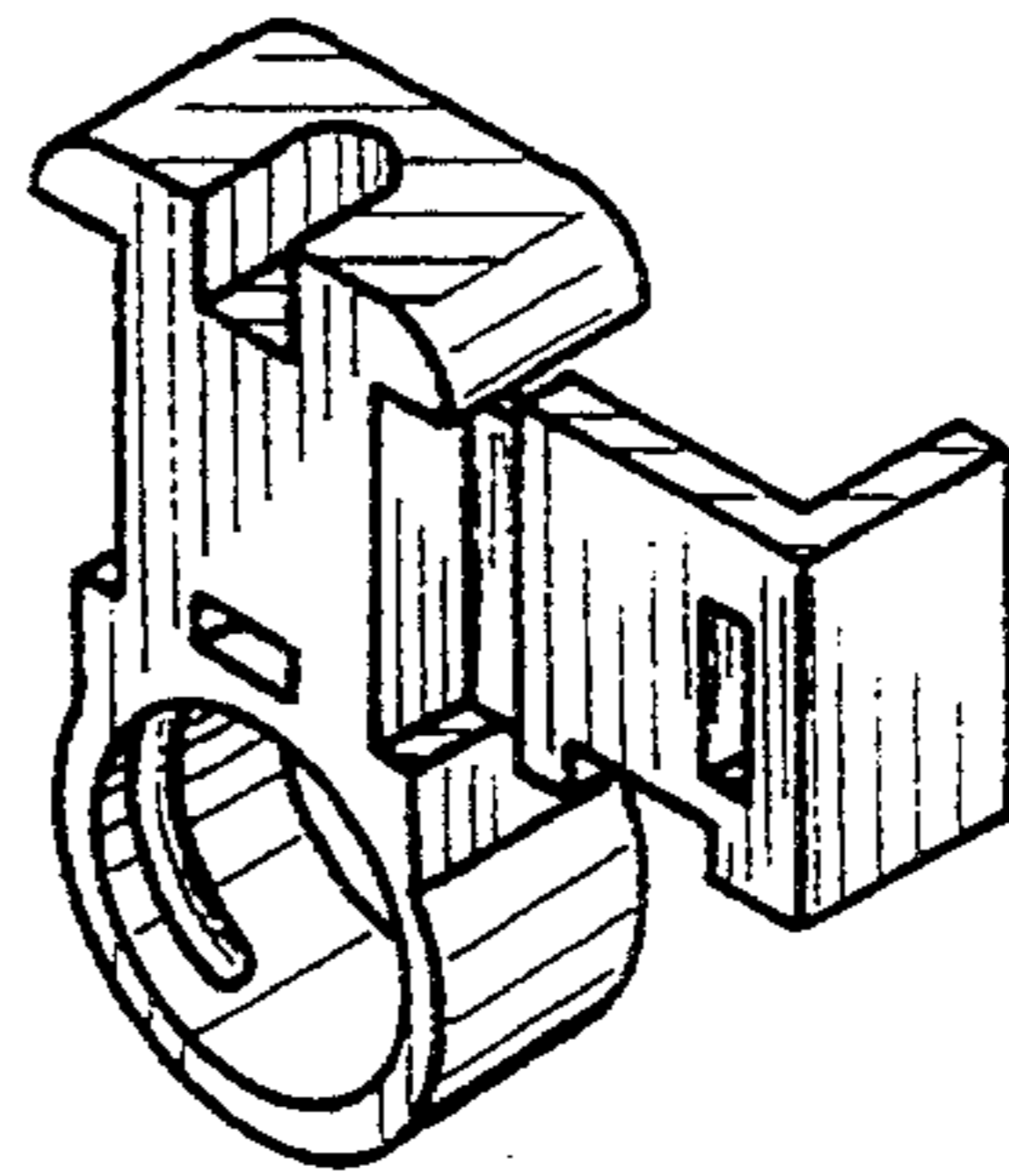


FIG. 2



FIG. 7

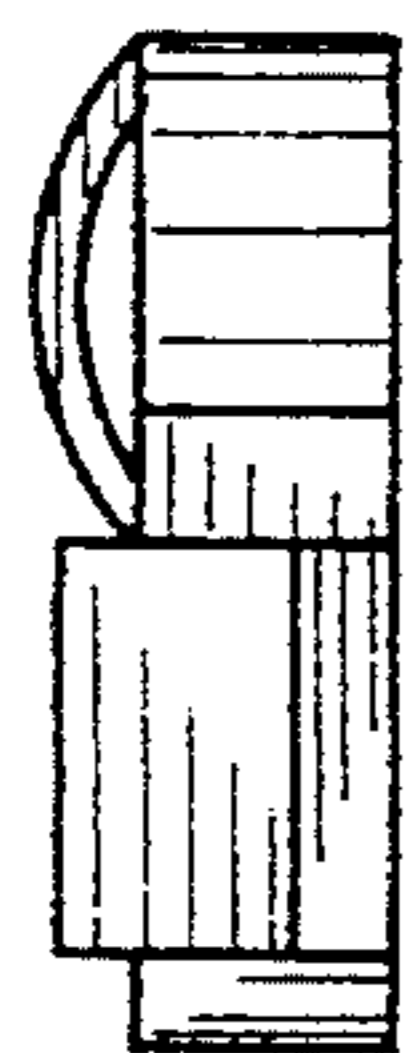


FIG. 6

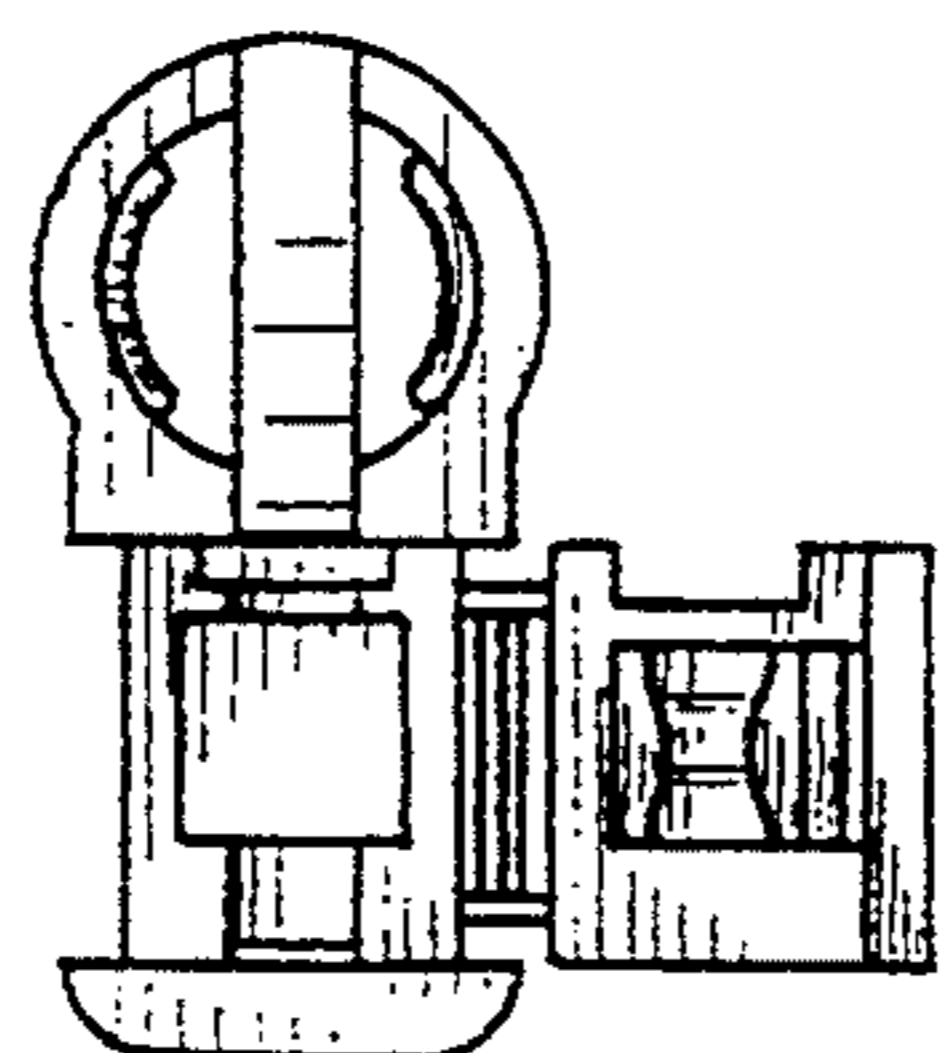


FIG. 5

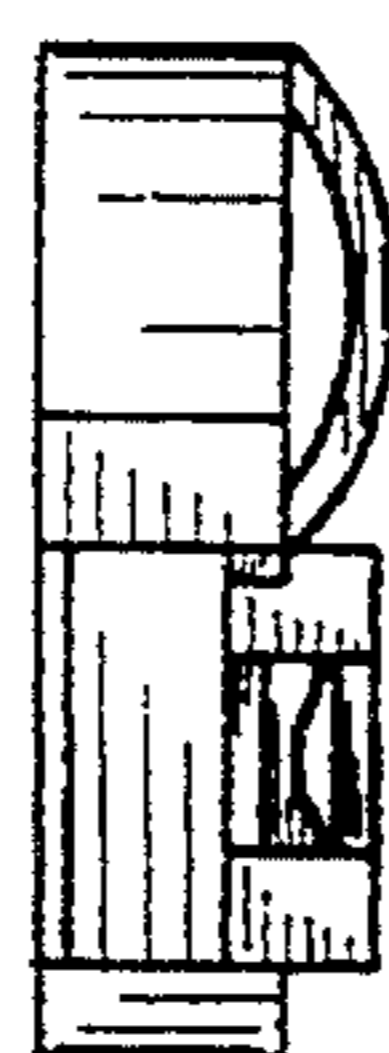


FIG. 4

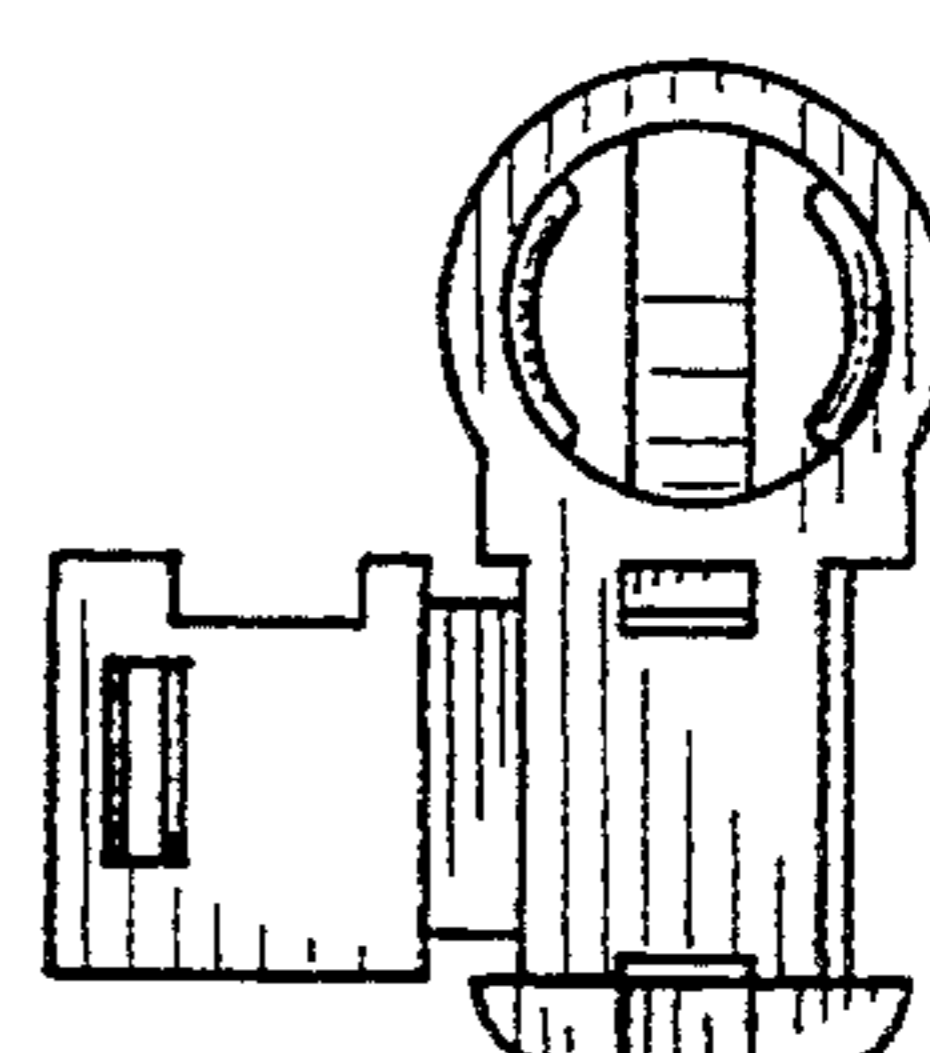


FIG. 3

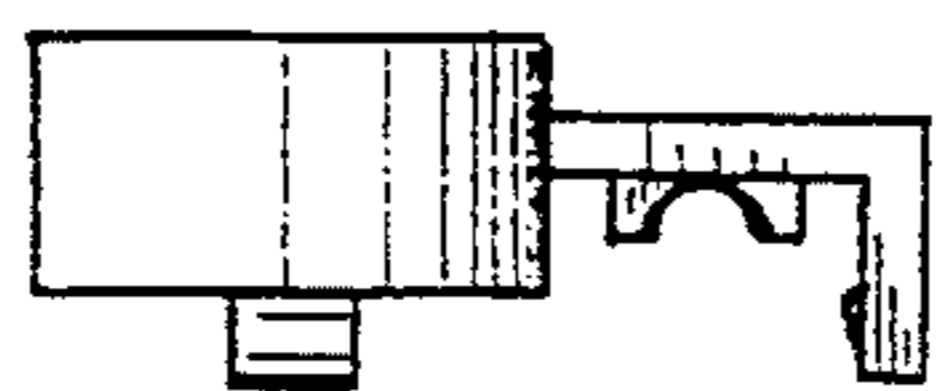


FIG. 8