



US00D360239S

United States Patent [19]
Knudsen

[11] **Patent Number: Des. 360,239**
[45] **Date of Patent: ** Jul. 11, 1995**

[54] **TOY BUILDING ELEMENT**
[75] **Inventor: Jens N. Knudsen, Billund, Denmark**
[73] **Assignee: Interlego AG, Baar, Switzerland**
[**] **Term: 14 Years**
[21] **Appl. No.: 29,112**
[22] **Filed: Sep. 29, 1994**
[52] **U.S. Cl. D21/108**
[58] **Field of Search D21/108, 120; D20/40, D20/43; 446/26, 27, 69, 70, 75, 76, 103, 104, 107, 117, 121, 128**

D. 338,928 8/1993 Olsen D21/108
D. 351,006 9/1994 Nielsen et al. D21/108
1,163,851 12/1915 Pringle D21/108
3,487,579 1/1970 Brettingen 446/128

Primary Examiner—Theodore M. Shooman
Assistant Examiner—R. Barkai
Attorney, Agent, or Firm—Kane, Dalsimer, Sullivan, Kurucz, Levy, Eisele and Richard

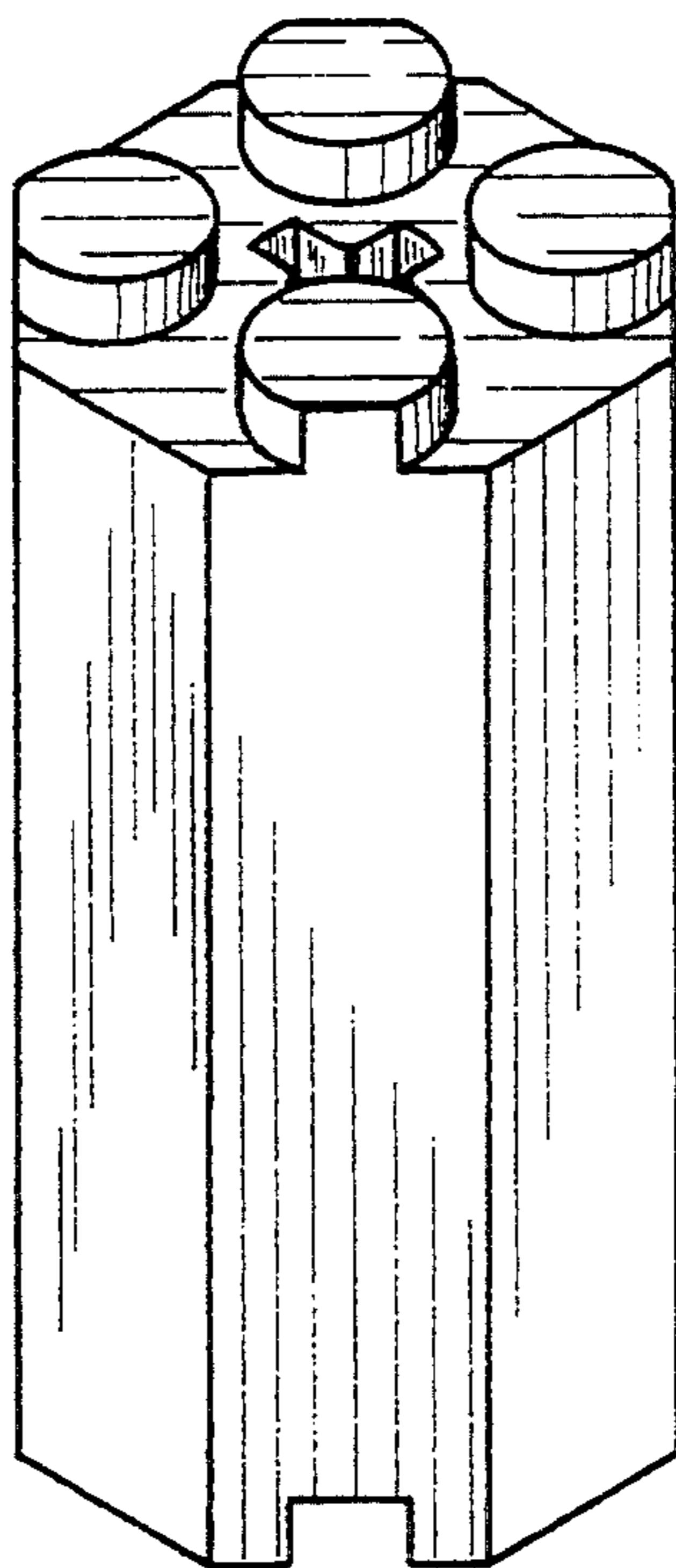
[57] **CLAIM**

The ornamental design for a toy building element, as shown and described.

DESCRIPTION

FIG. 1 is a top perspective view of the toy building element showing my new design;
FIG. 2 is a bottom perspective view thereof;
FIG. 3 is a side elevational view thereof all sides being identical;
FIG. 4 is a bottom plan view thereof; and,
FIG. 5 is a top plan view thereof.

[56] **References Cited**
U.S. PATENT DOCUMENTS
D. 227,528 7/1973 Wahl D20/43
D. 241,710 10/1976 Roberts D20/43
D. 290,629 6/1987 Bertrand D21/108
D. 311,935 11/1990 Andersen D21/108
D. 314,989 2/1991 Olsen D21/108



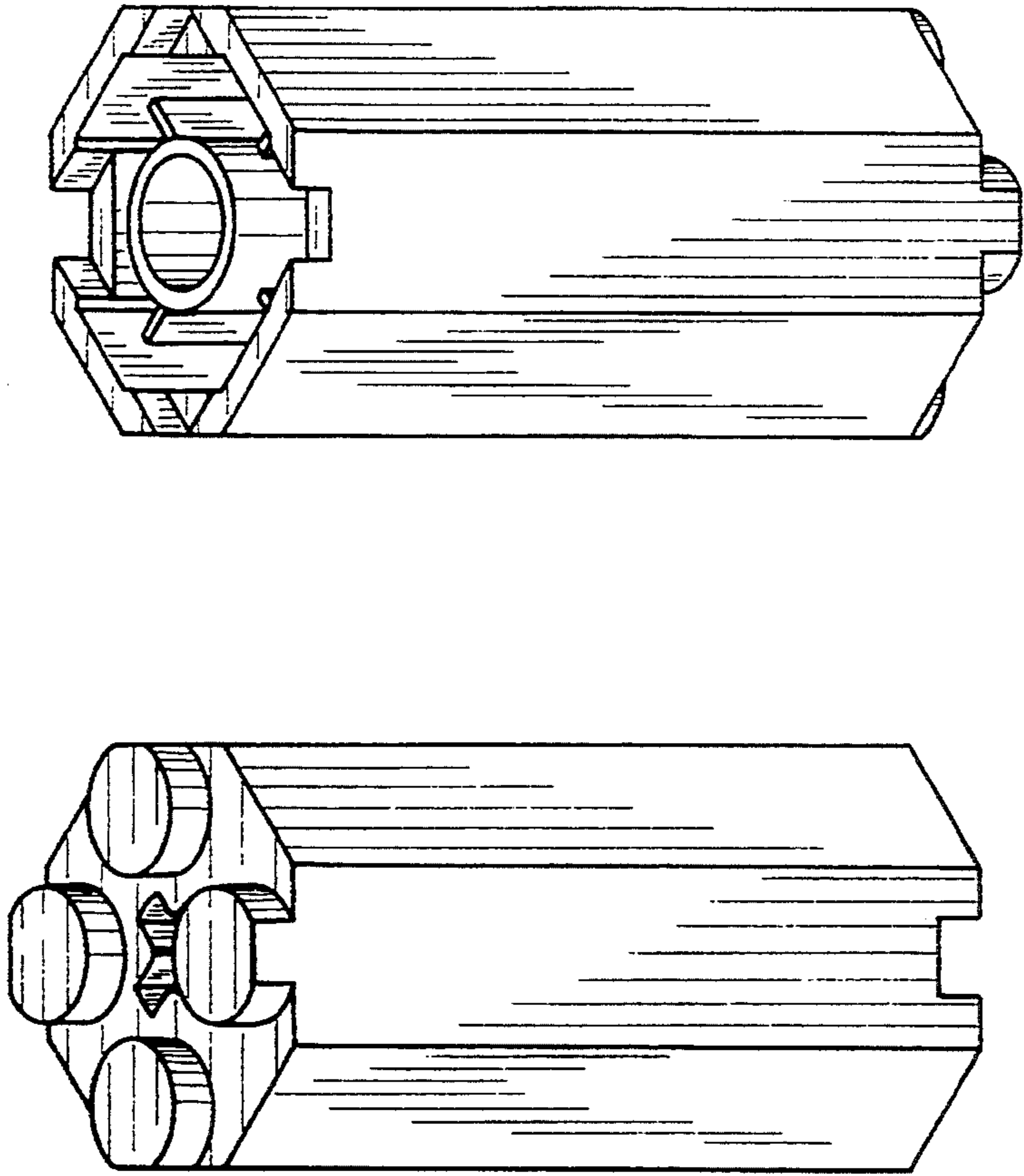


FIG. 2

FIG. 1

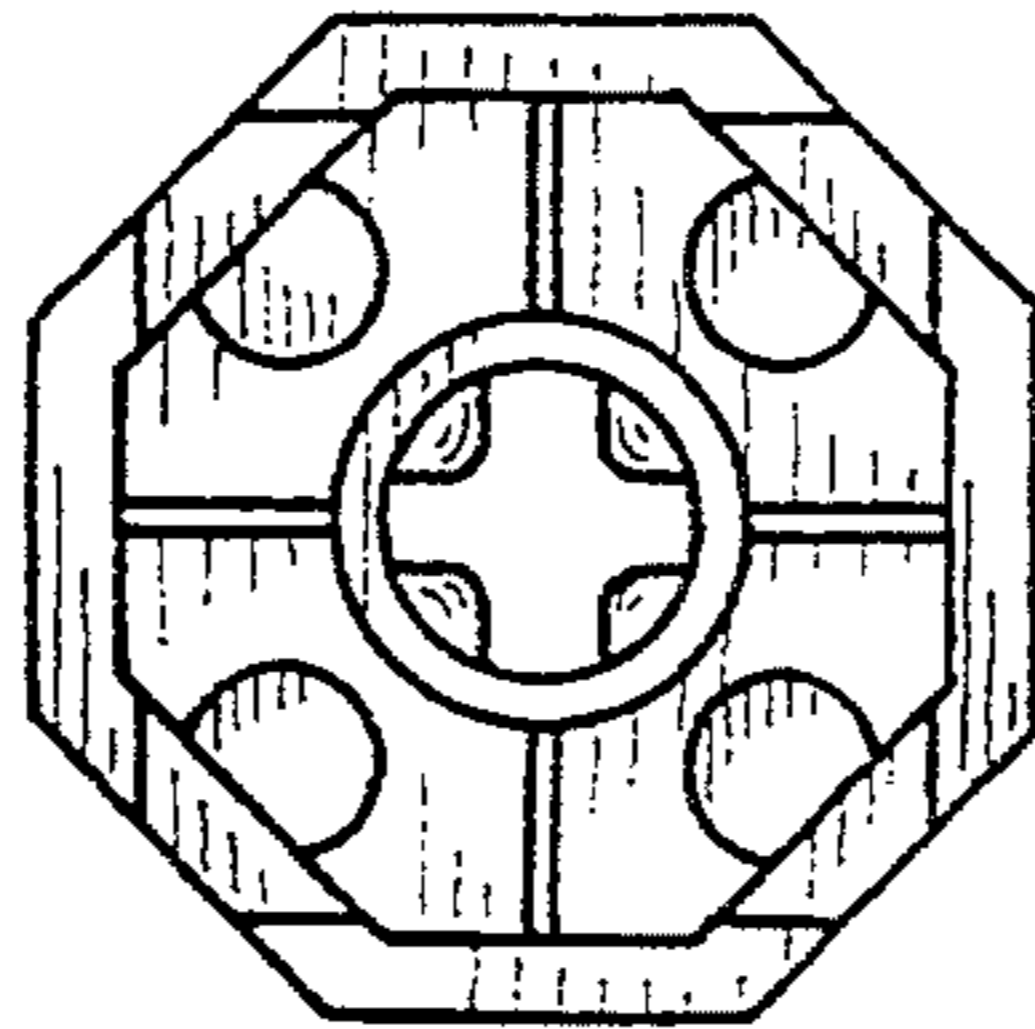


FIG. 4

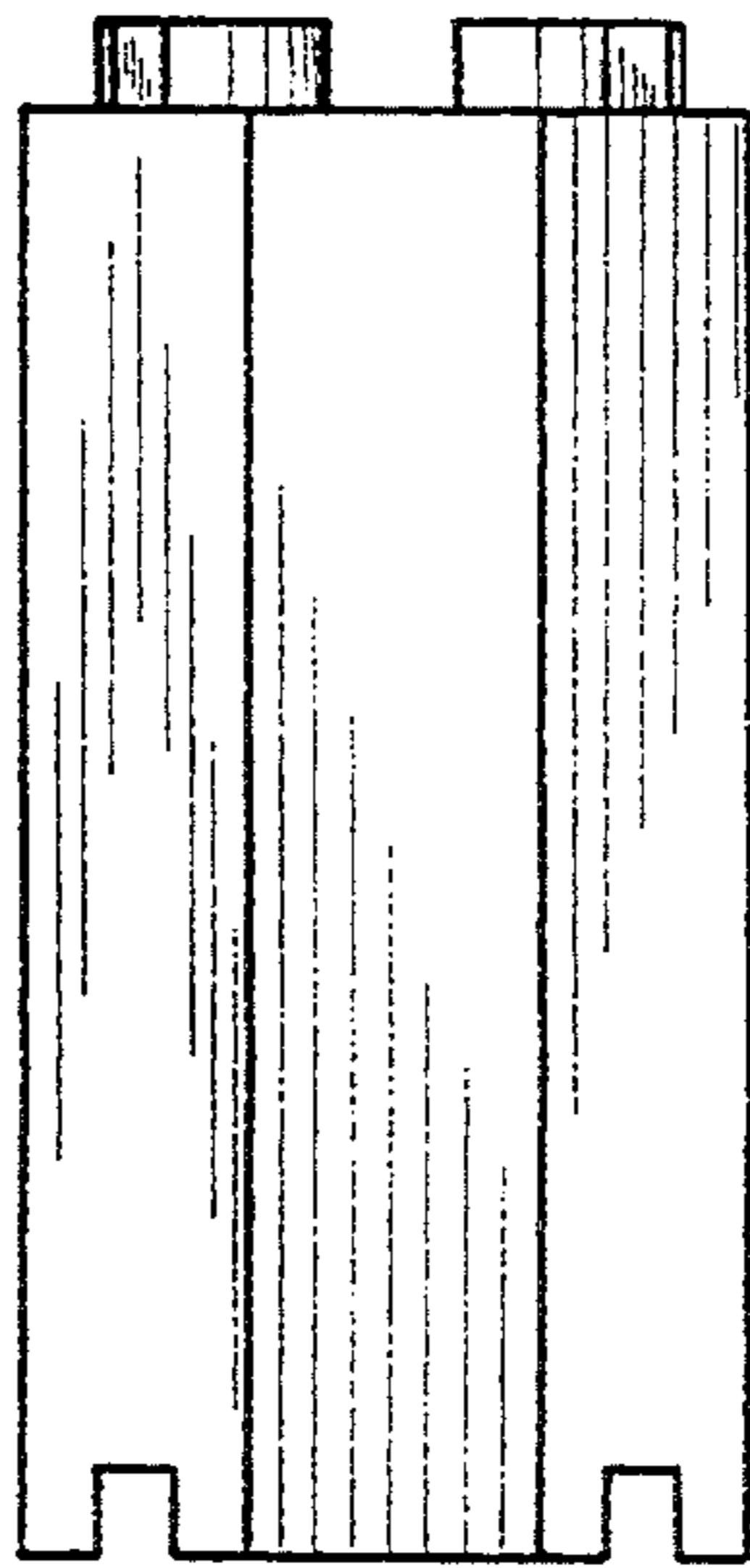


FIG. 3

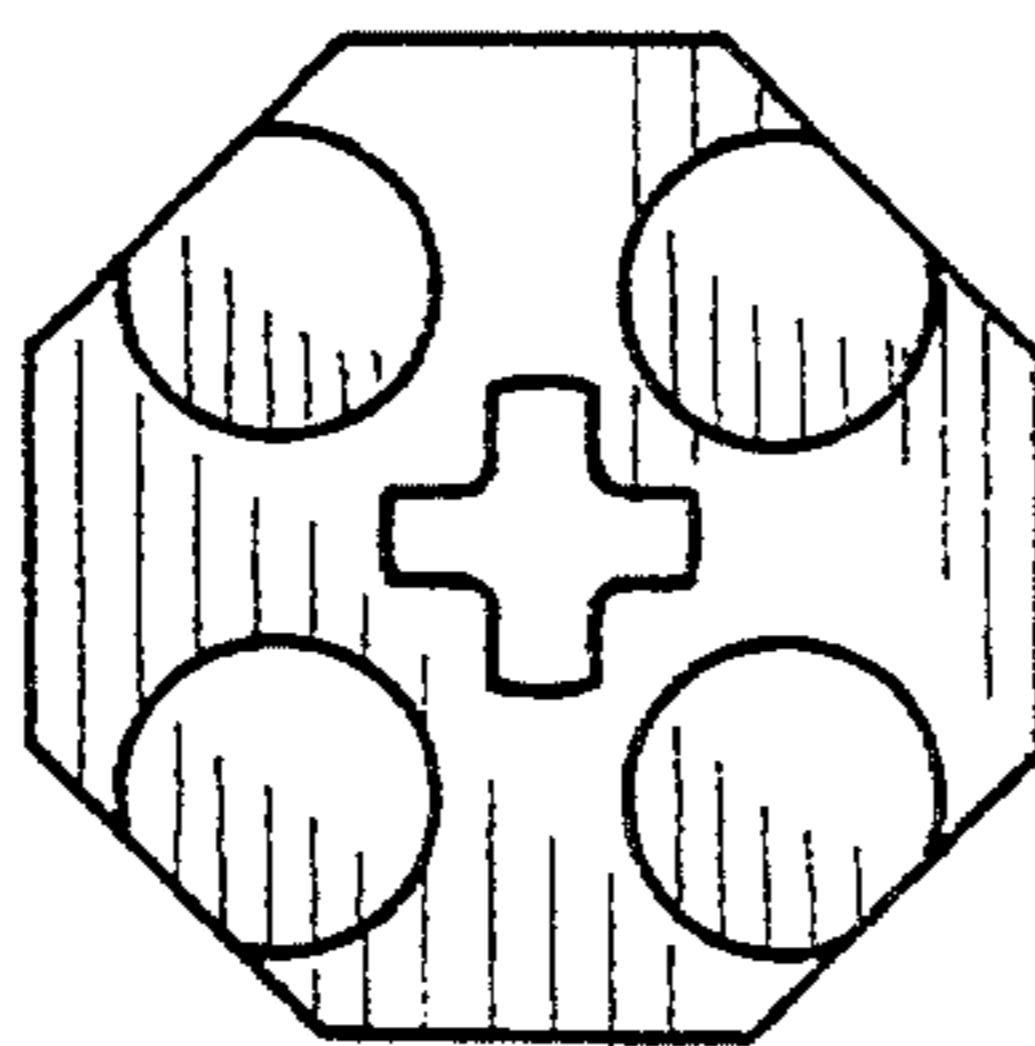


FIG. 5