



US00D360230S

United States Patent [19]

[11] Patent Number: **Des. 360,230**

Lechleiter et al.

[45] Date of Patent: **** Jul. 11, 1995**

[54] **PORTABLE EXHIBIT DISPLAY**

[75] Inventors: **Paul R. Lechleiter, Powell; Mark B. Artus, Beechwold, both of Ohio**

[73] Assignee: **Blockbuster Entertainment Corporation, Ft. Lauderdale, Fla.**

[**] Term: **14 Years**

[21] Appl. No.: **27,747**

[22] Filed: **Aug. 29, 1994**

[52] U.S. Cl. **D20/10; D6/332**

[58] Field of Search **D20/10, 29, 39, 42; D6/332; 40/1, 124, 124.1, 152.1, 156, 605; 211/13, 135; 160/135, 351**

D. 317,469 6/1991 Beaulieu D20/10
 D. 331,077 11/1992 Foster D20/10
 D. 349,608 8/1994 Savoie D6/332
 4,711,046 12/1987 Herrgard 40/152.1

Primary Examiner—Susan J. Lucas
Assistant Examiner—Marcus Jackson
Attorney, Agent, or Firm—Gambrell, Wilson & Hamilton

[57] CLAIM

The ornamental design for a portable exhibit display, as shown and described.

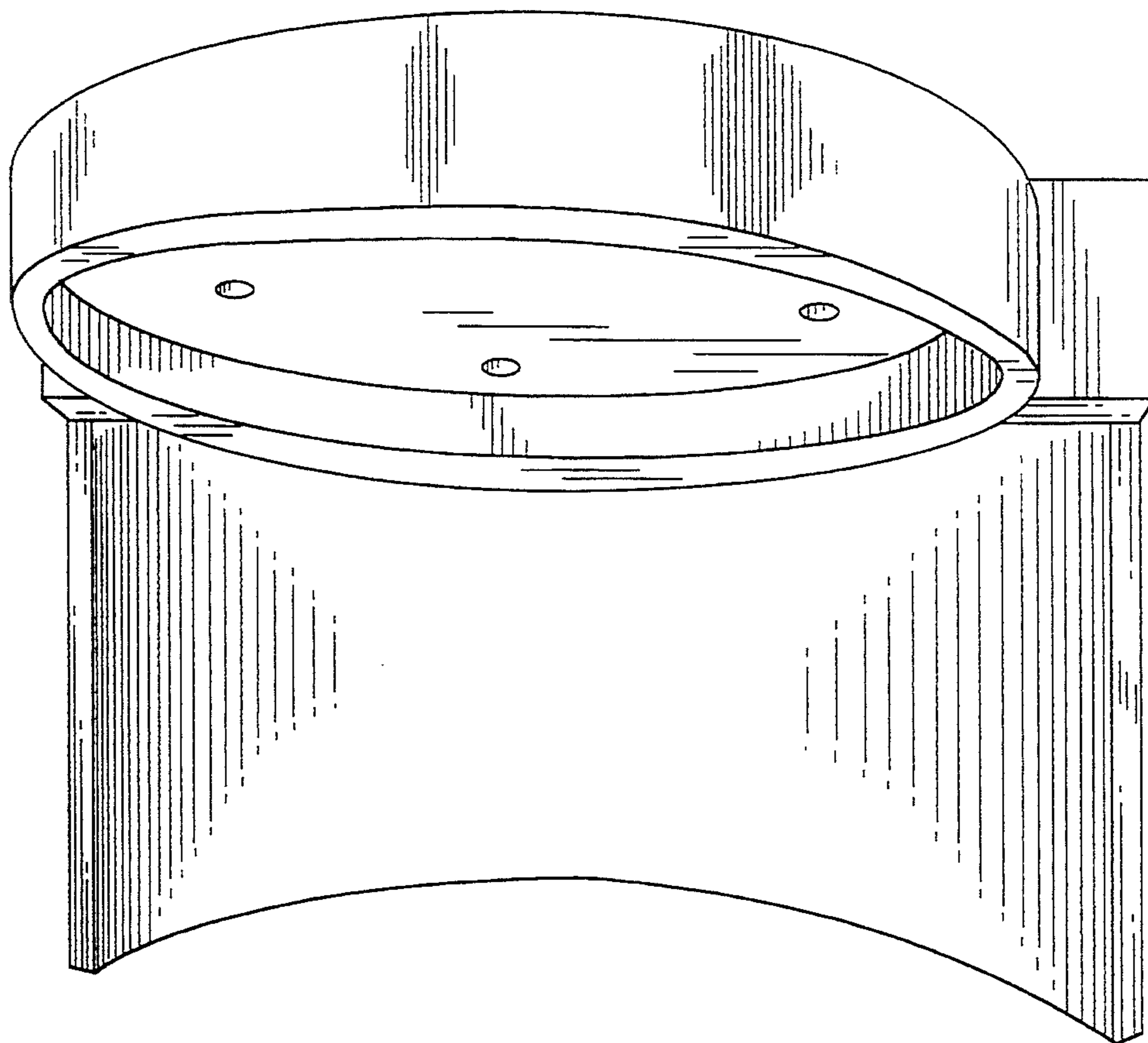
DESCRIPTION

FIG. 1 is a perspective view of a portable exhibit display showing our new design;
 FIG. 2 is a top plan view thereof;
 FIG. 3 is a front elevational view thereof;
 FIG. 4 is a right side elevational view thereof;
 FIG. 5 is a left side elevational view thereof;
 FIG. 6 is a bottom plan view thereof; and,
 FIG. 7 is a rear elevational view thereof.

[56] **References Cited**

U.S. PATENT DOCUMENTS

D. 151,105 9/1948 Uihlein D20/42
 D. 286,108 10/1986 Hanlon D6/332
 D. 304,526 11/1989 Moss D6/332



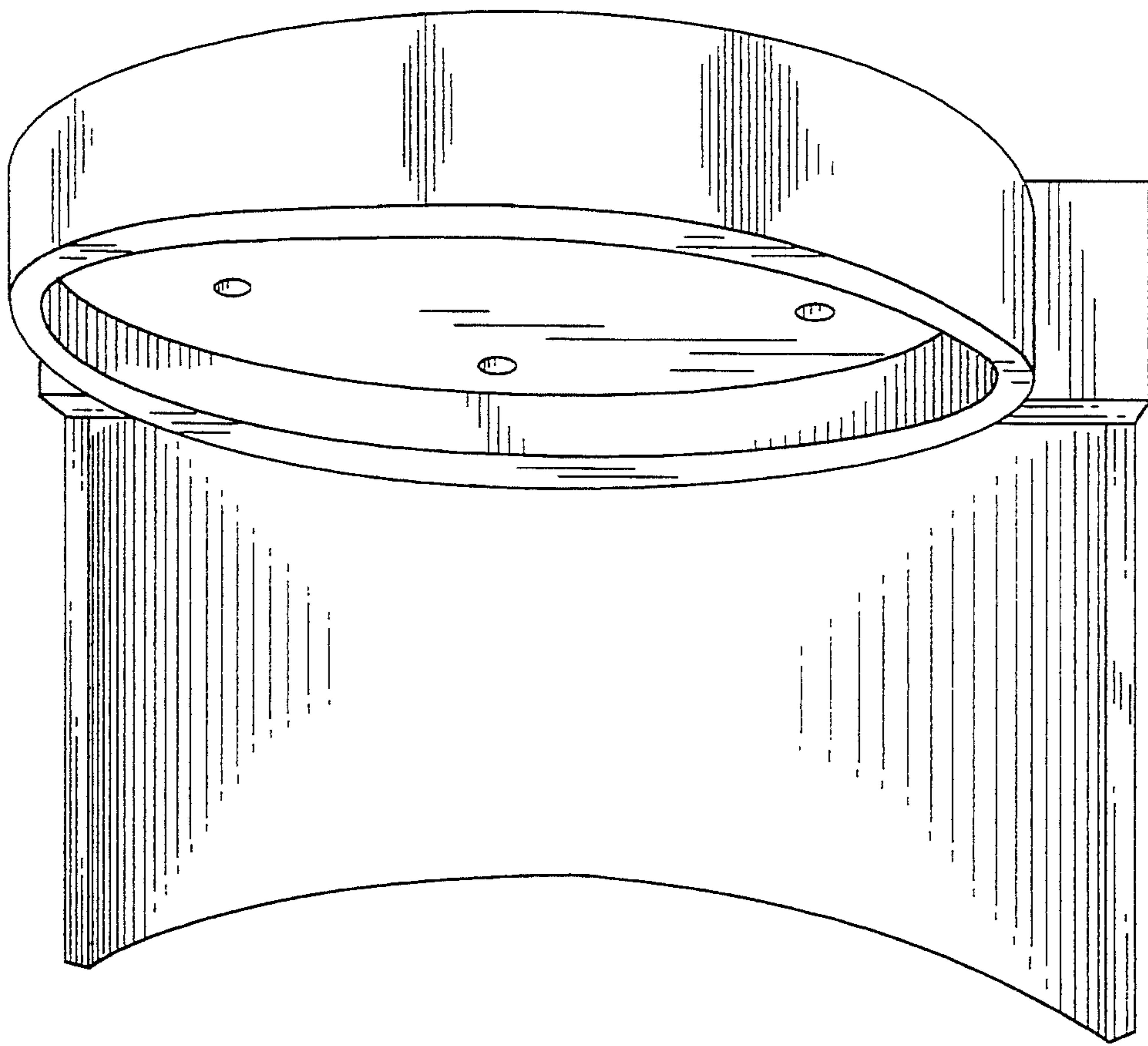


Fig. 1

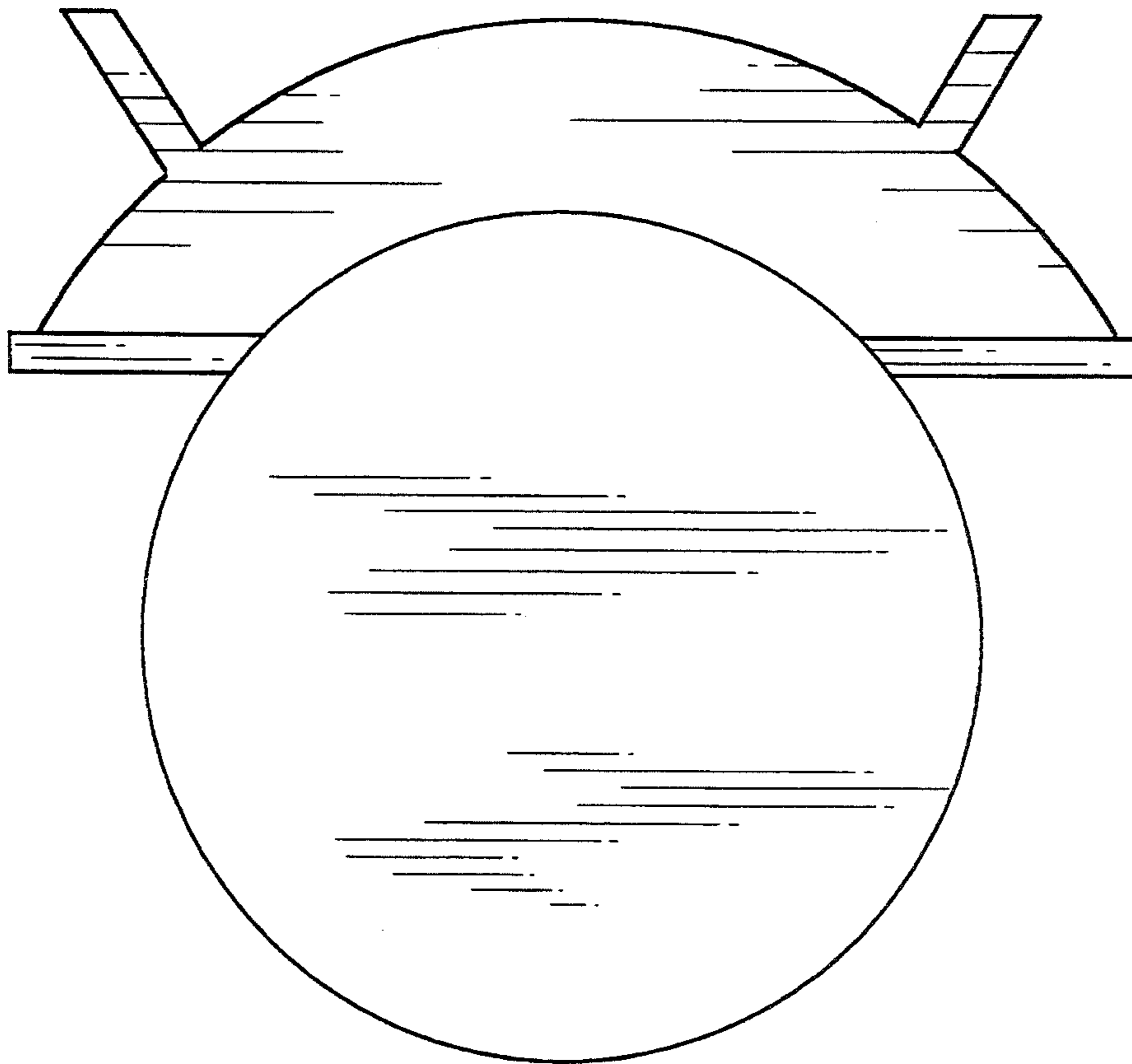


Fig. 2

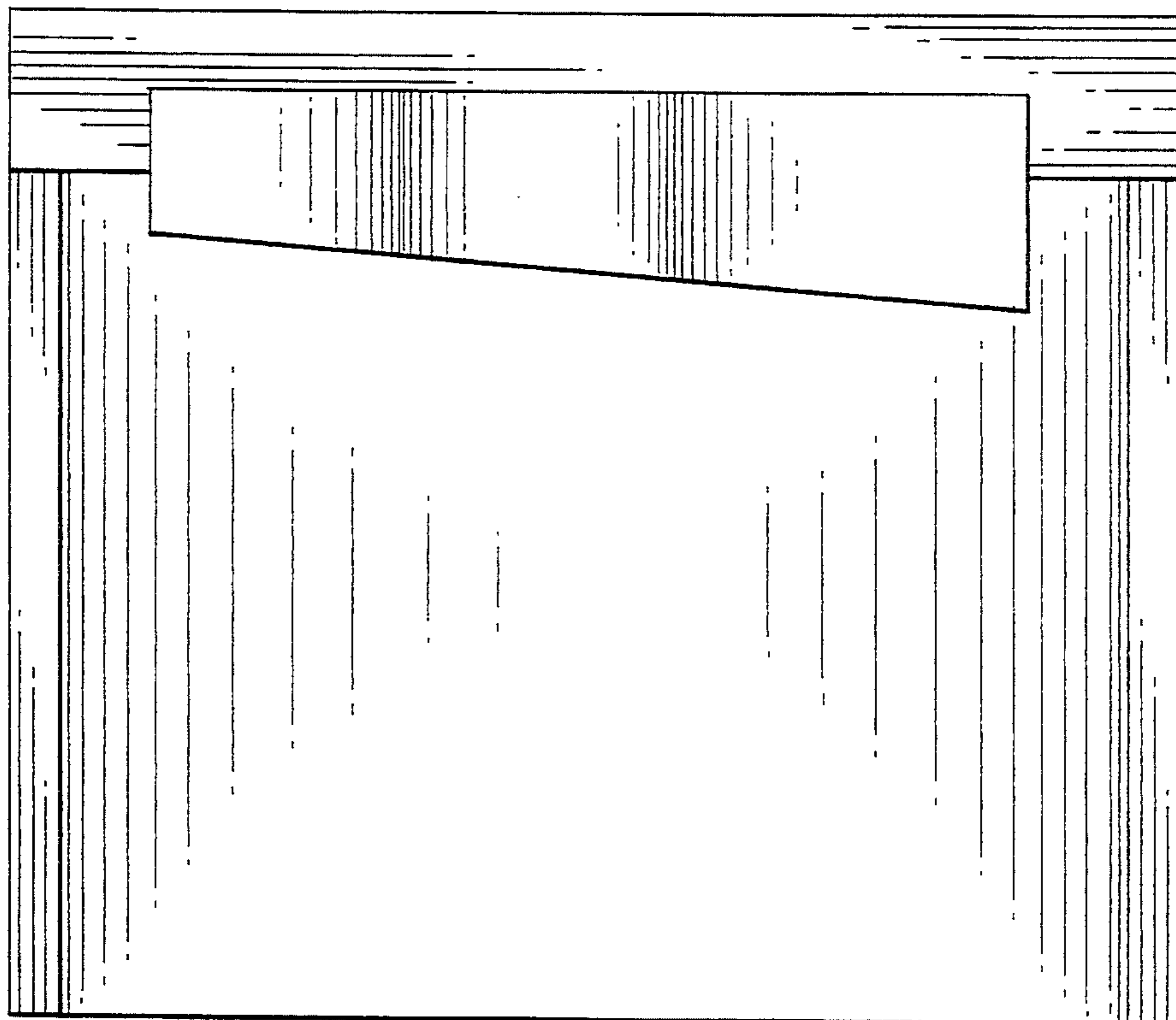


Fig. 3

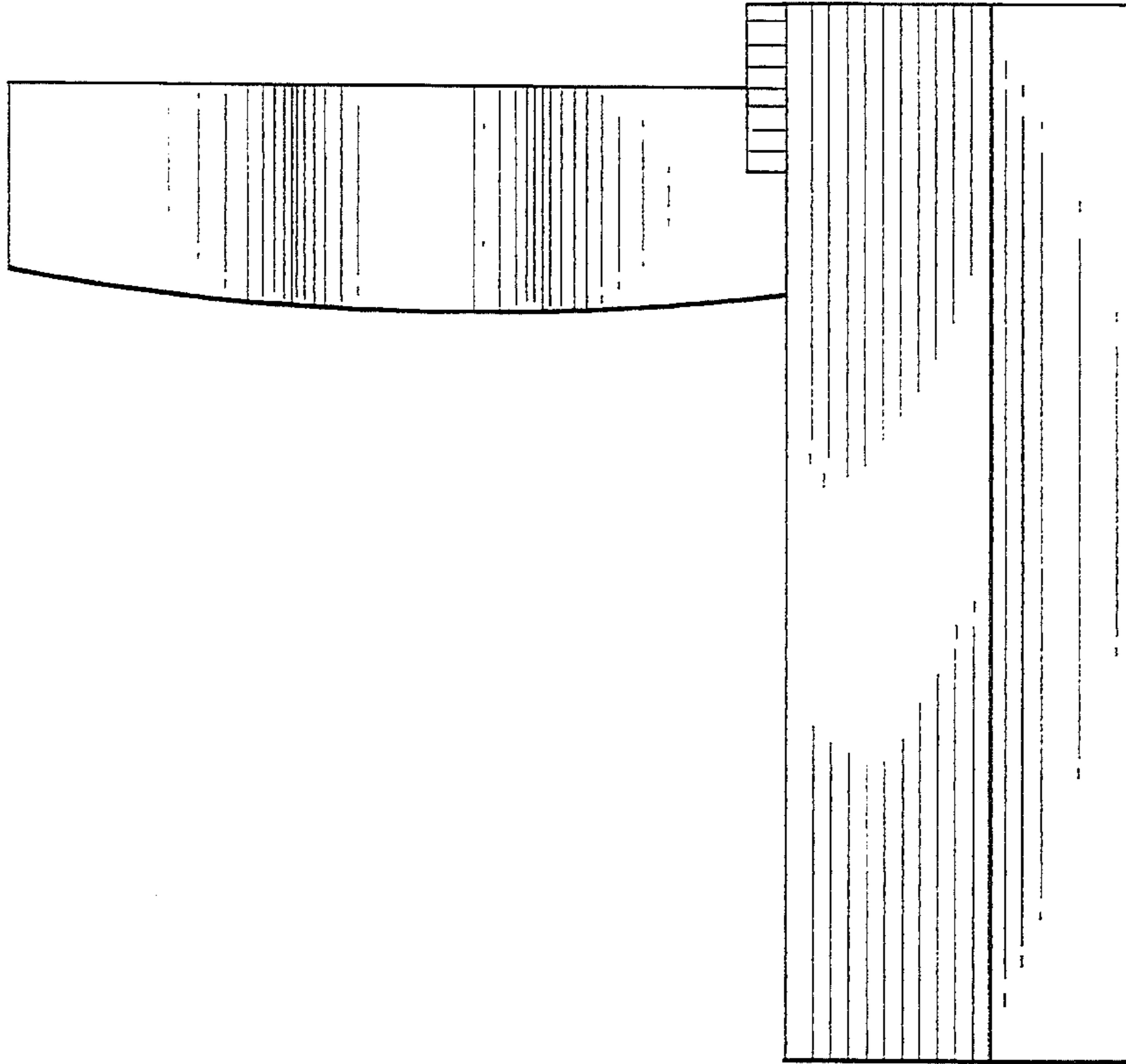


Fig. 4

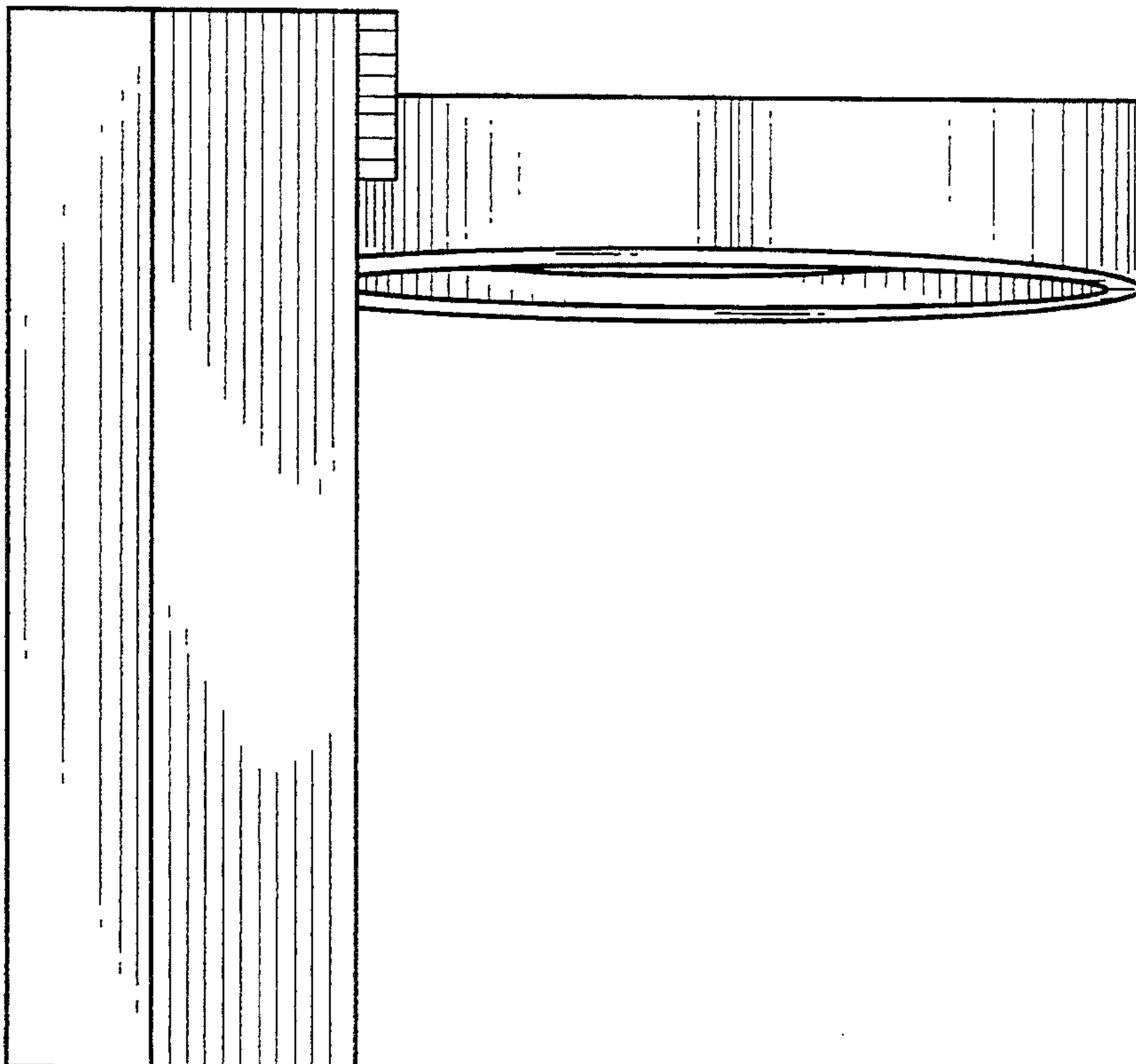


Fig. 5

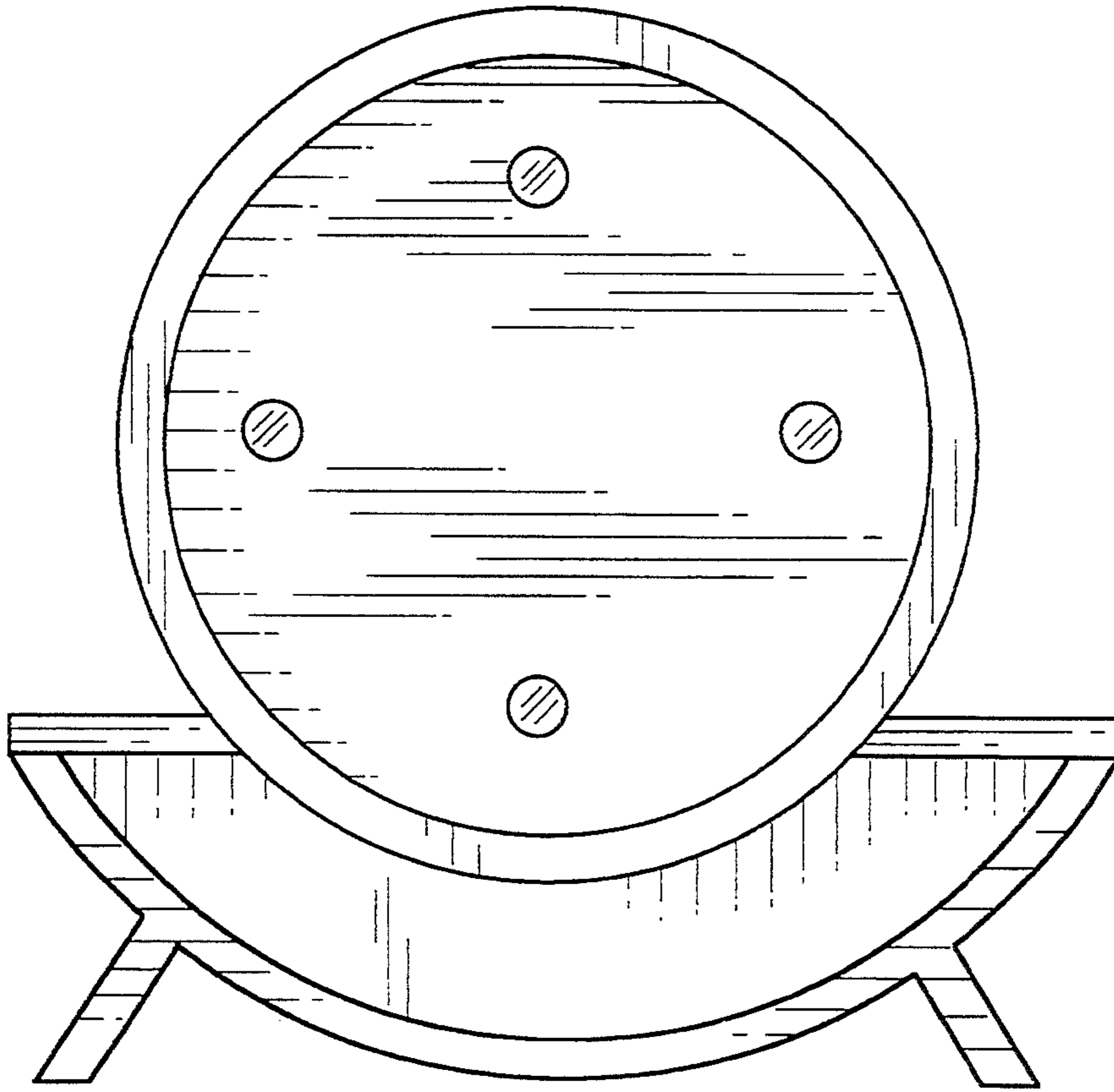


Fig. 6

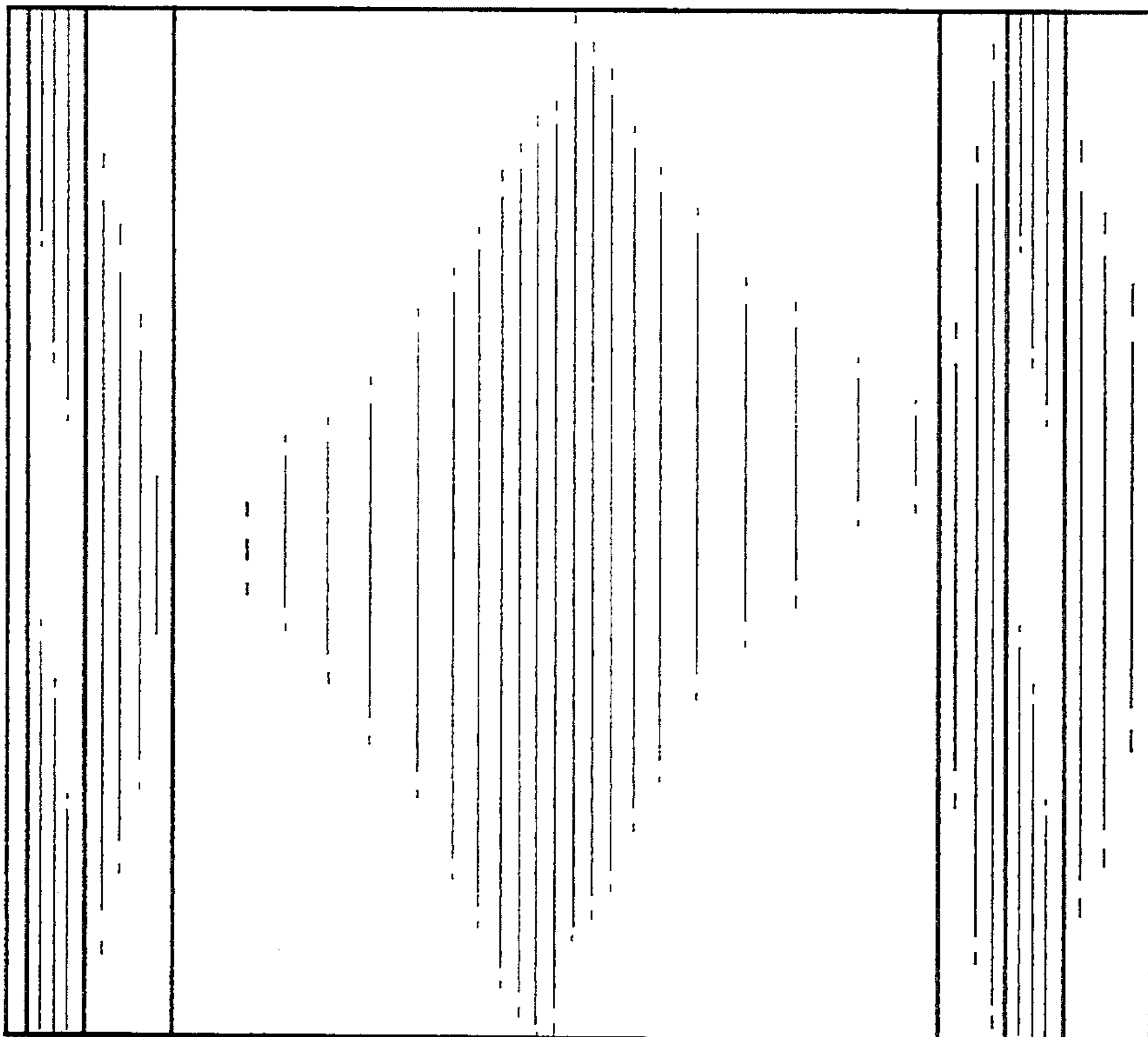


Fig. 7