



US00D360227S

# United States Patent [19]

Dabrowski

[11] Patent Number: **Des. 360,227**

[45] Date of Patent: **\*\* Jul. 11, 1995**

[54] **BILL VALIDATOR KIT FOR A GAMING MACHINE**

[76] Inventor: **Stanley P. Dabrowski**, 8068 W. Sahara Ave., Suite C, Las Vegas, Nev. 89117

[\*\*] Term: **14 Years**

[21] Appl. No.: **23,371**

[22] Filed: **May 24, 1994**

[52] U.S. Cl. .... **D20/8; D20/9**

[58] Field of Search ..... **D20/8, 9; 194/206, 207, 194/350**

[56] **References Cited**

**U.S. PATENT DOCUMENTS**

D. 317.019	5/1991	Yukimoto et al. ....	D20/9
D. 335.149	4/1993	Dabrowski .....	D20/1
3,948,376	4/1976	Roman .....	194/350 X
4,011,931	3/1977	Wyckoff .....	194/206

*Primary Examiner*—Terry A. Wallace  
*Assistant Examiner*—Mitchell I. Siegel  
*Attorney, Agent, or Firm*—John Edward Roethel

[57] **CLAIM**

The ornamental design for a bill validator kit for a gaming machine, as shown and described.

**DESCRIPTION**

FIG. 1 is an isometric view of the bill validator kit for a gaming machine showing my new design, with a bill entry shelf and a lock in broken lines. The broken line showing of the bill entry shelf and the lock is for illustrative purposes only and forms no part of the claimed design;

FIG. 2 is a front elevational view thereof;

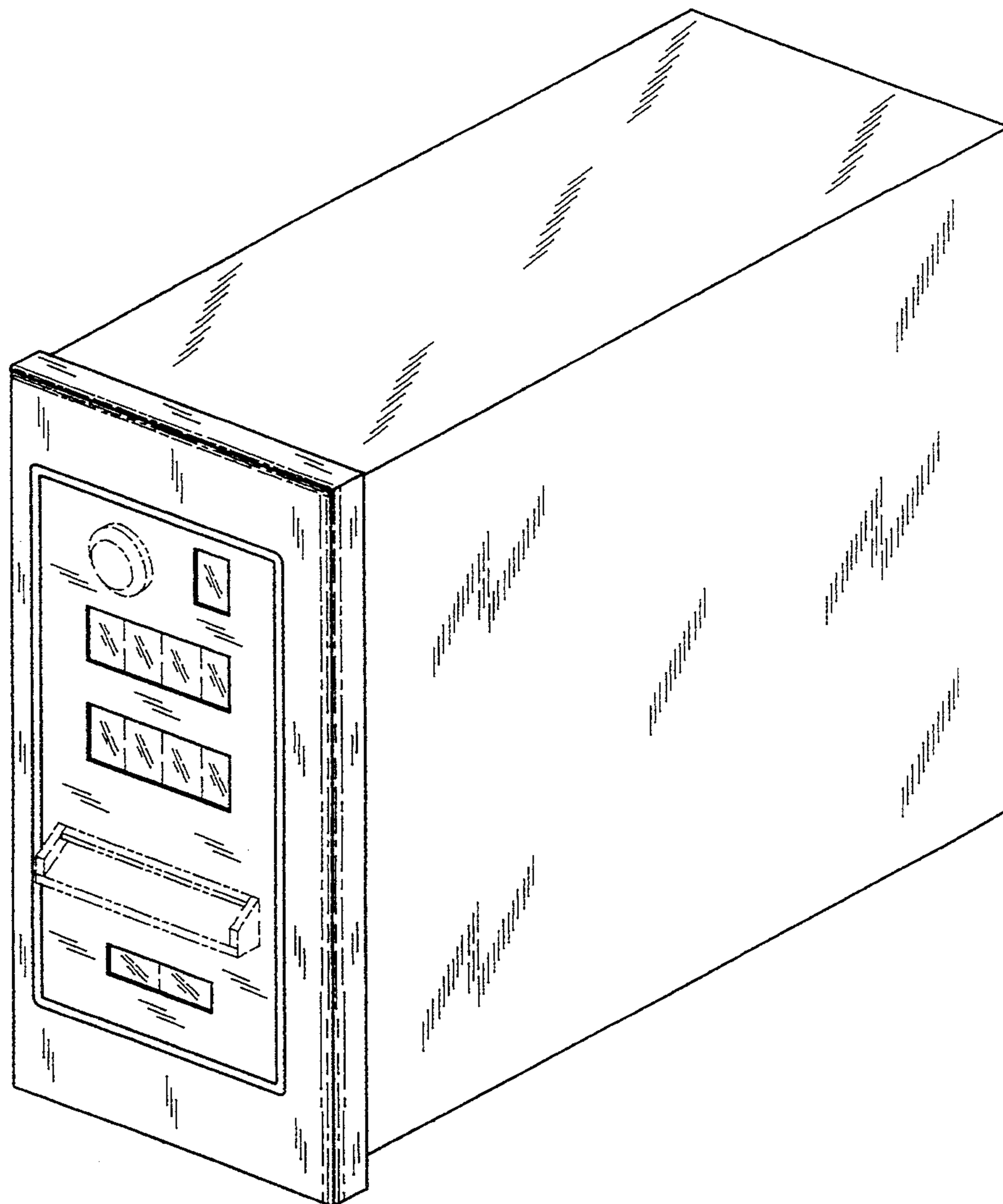
FIG. 3 is a rear elevational view thereof;

FIG. 4 is a top plan view thereof;

FIG. 5 is a bottom plan view thereof;

FIG. 6 is a left elevational view thereof; and,

FIG. 7 is a right elevational view thereof.



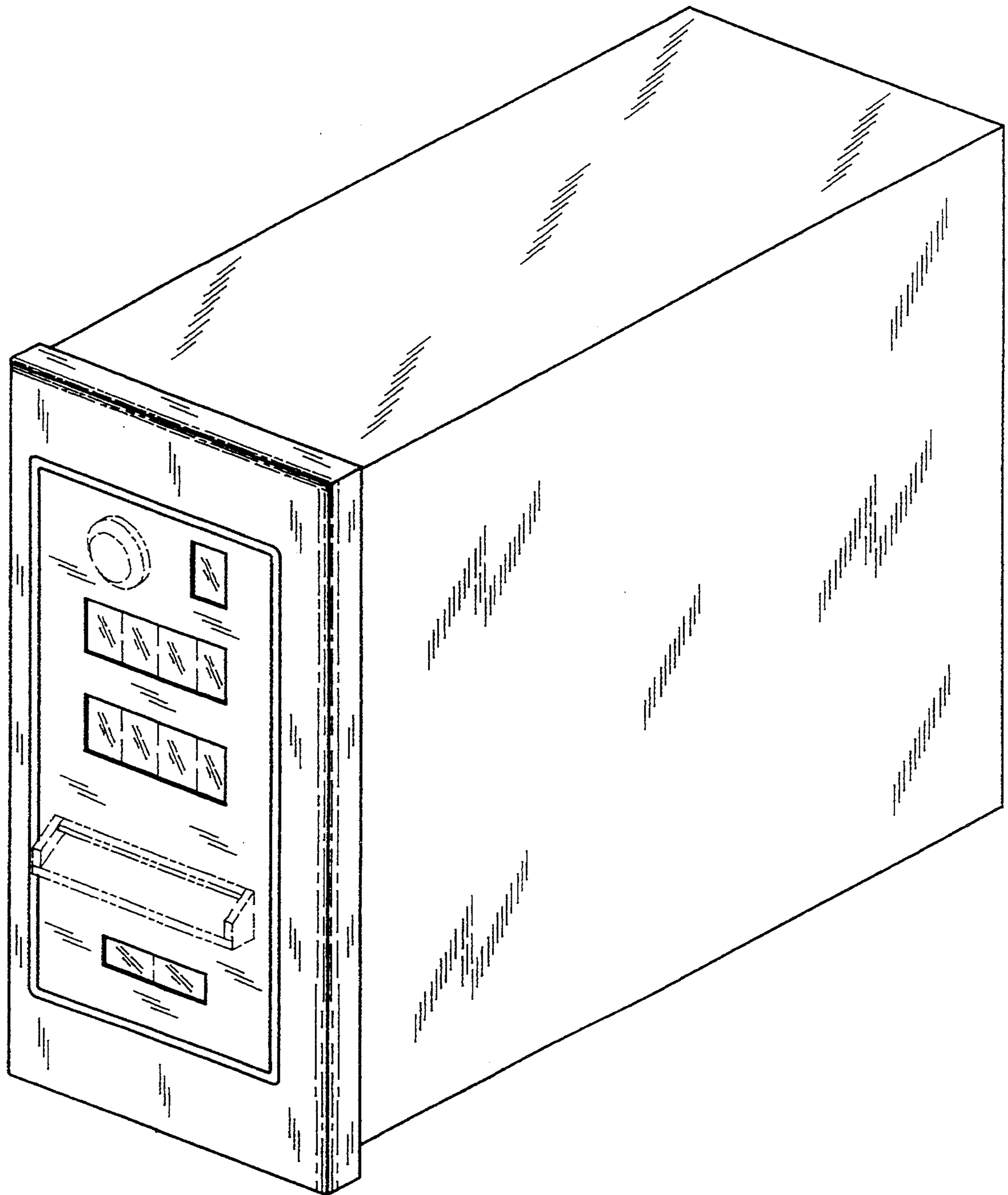


FIG-1

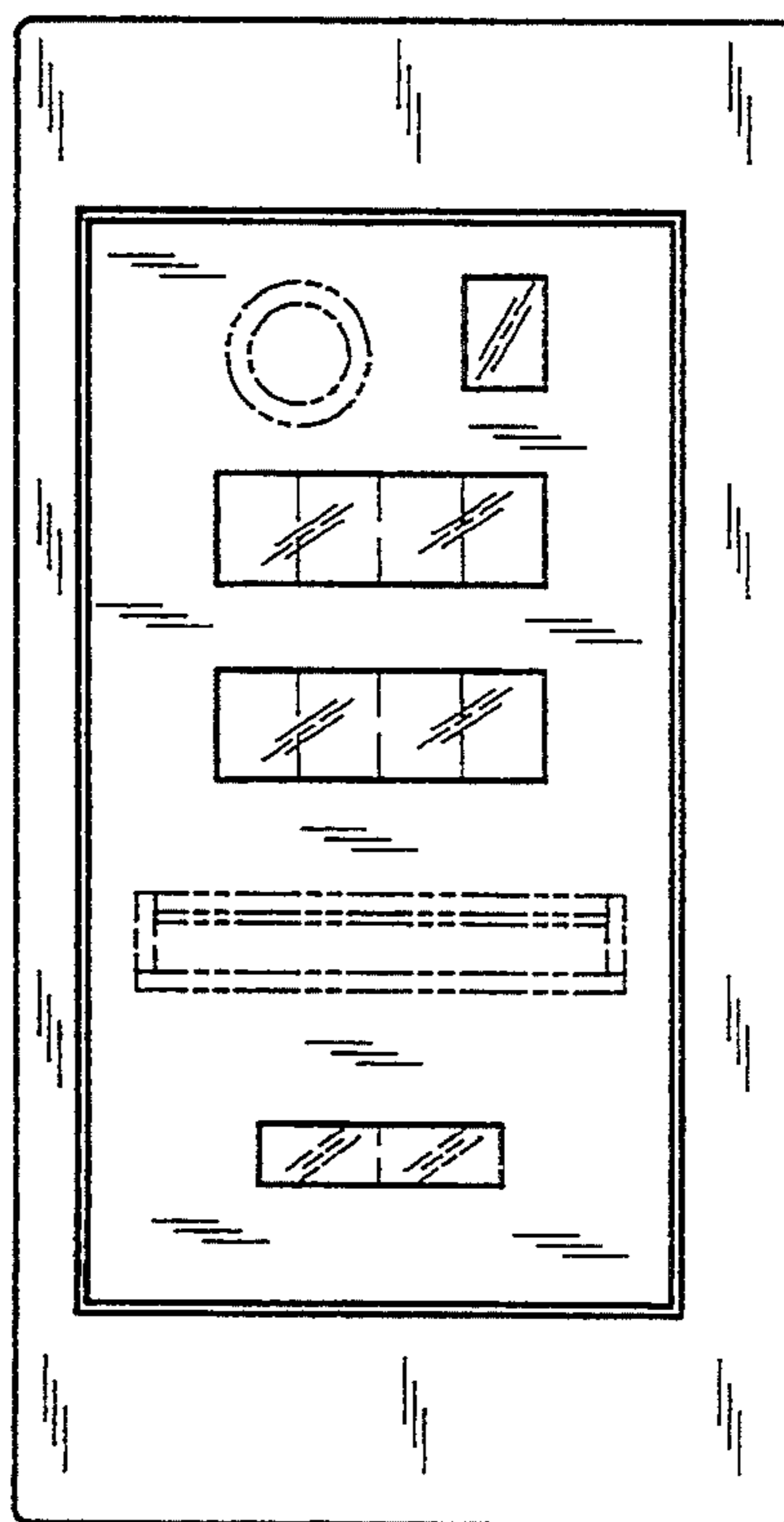


FIG-2

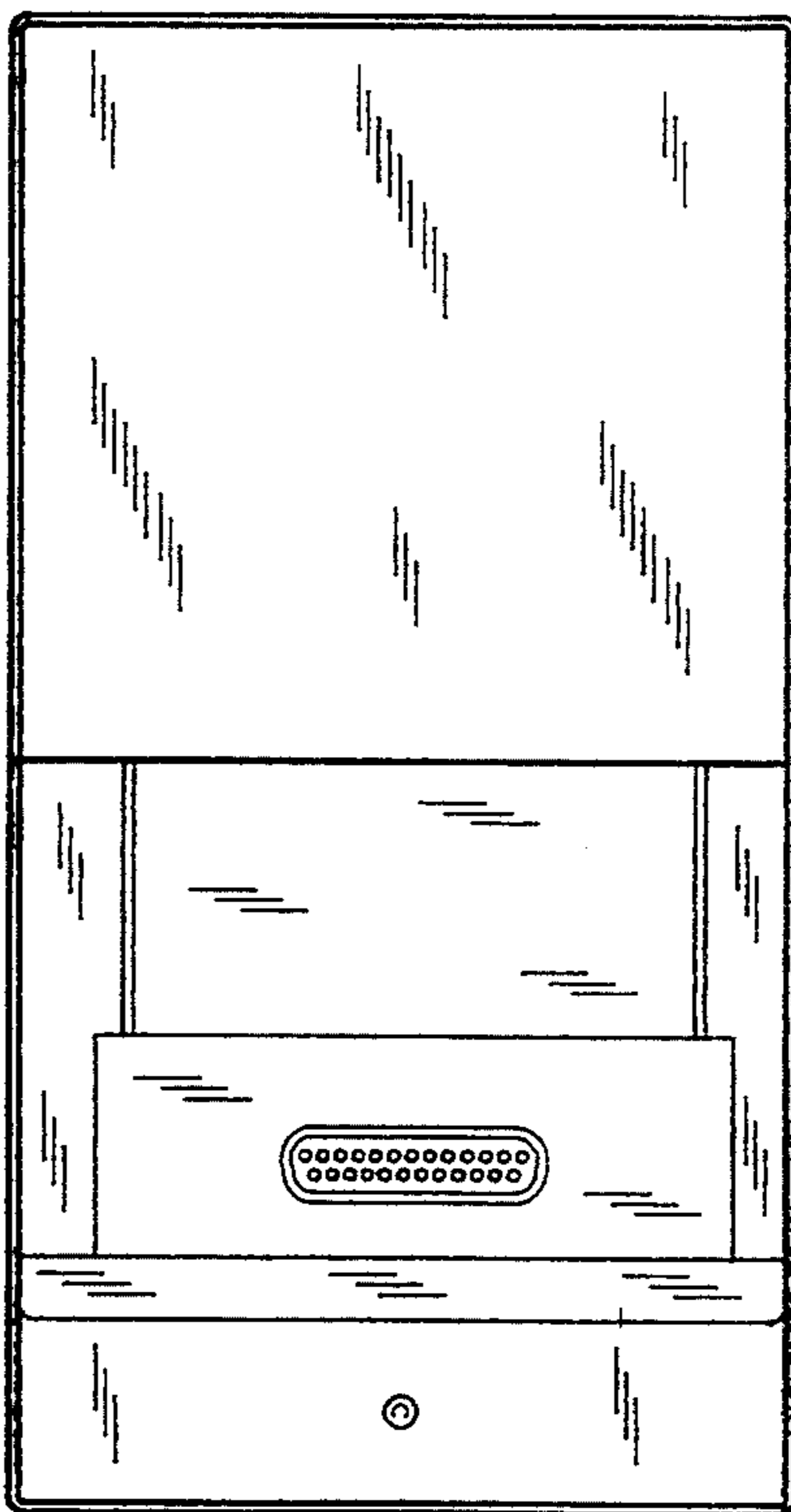


FIG-3

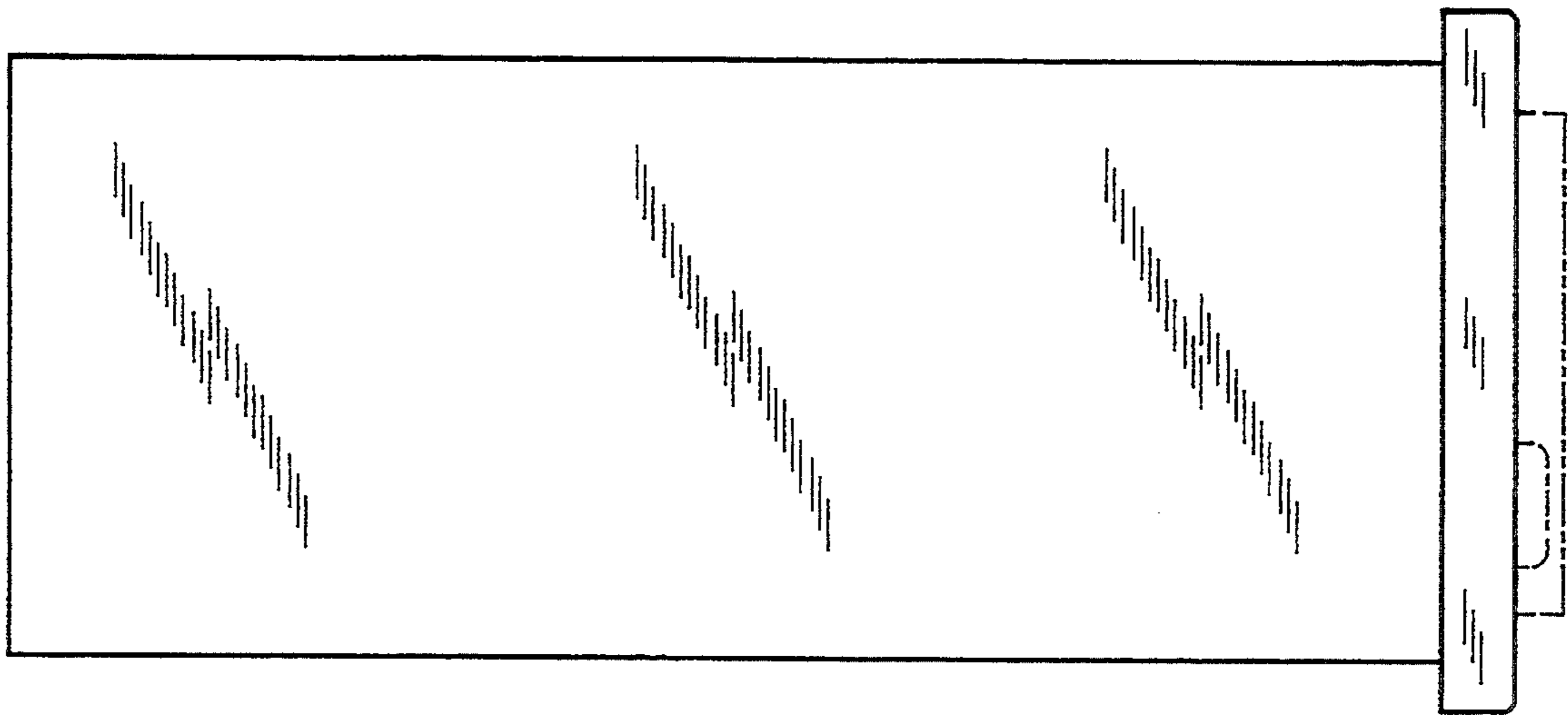


FIG-4

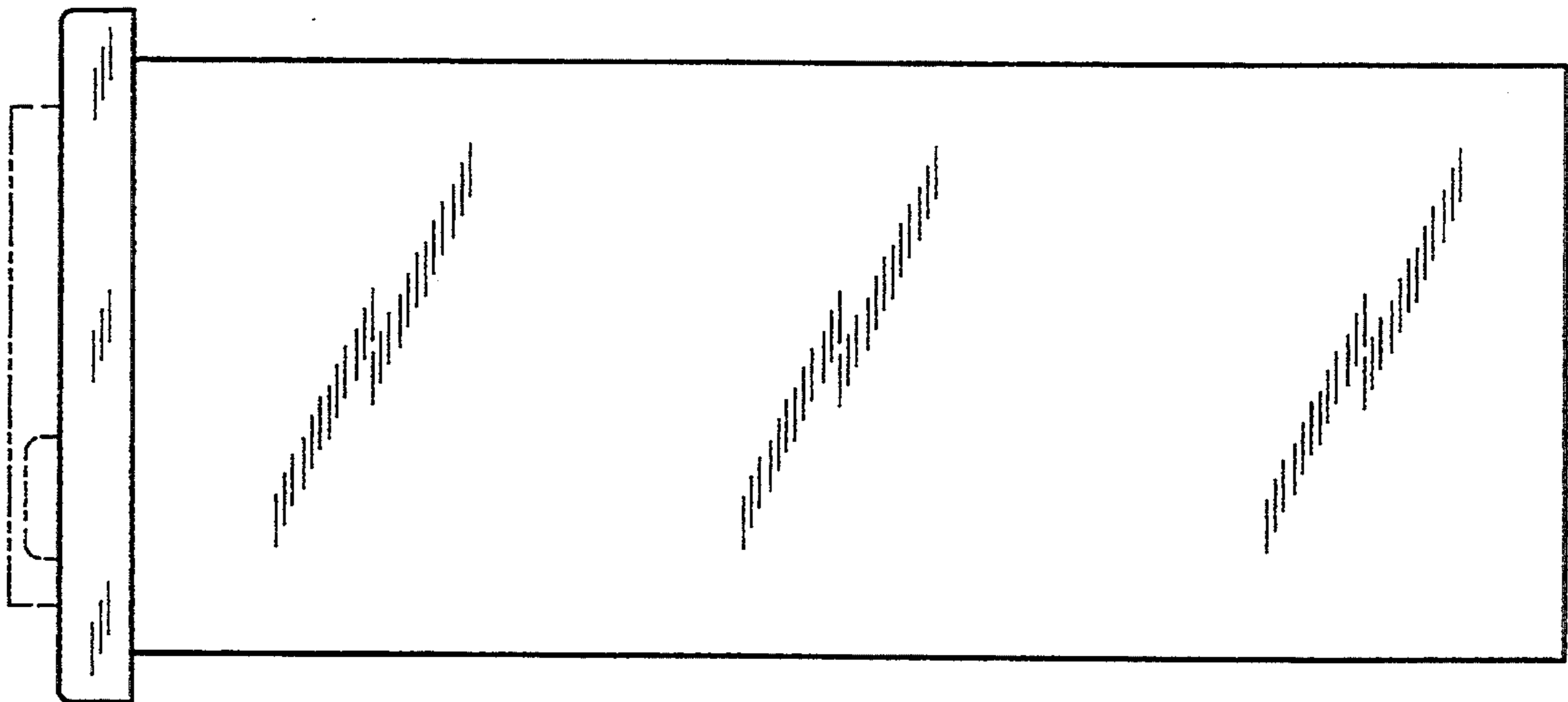


FIG-5

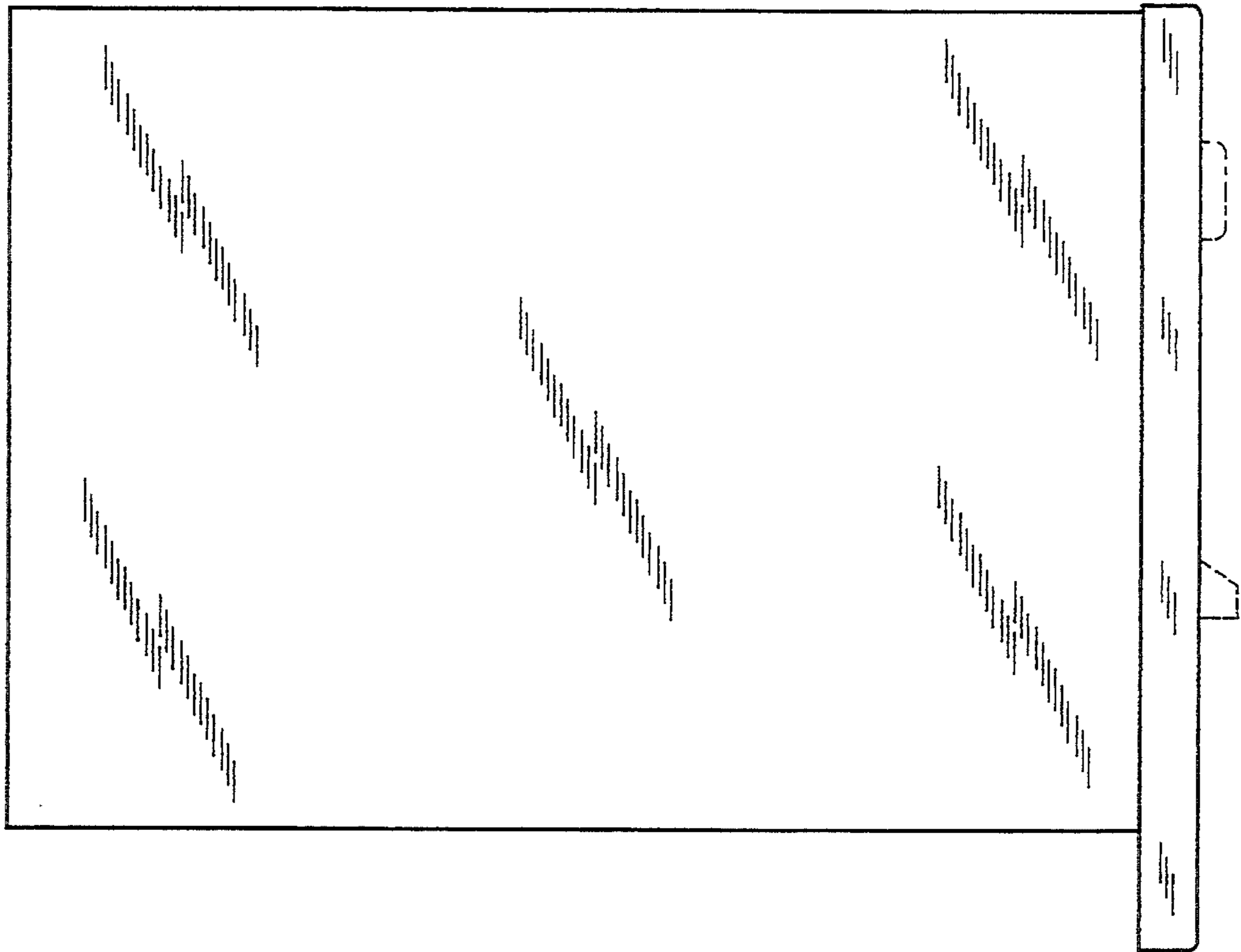


FIG-6

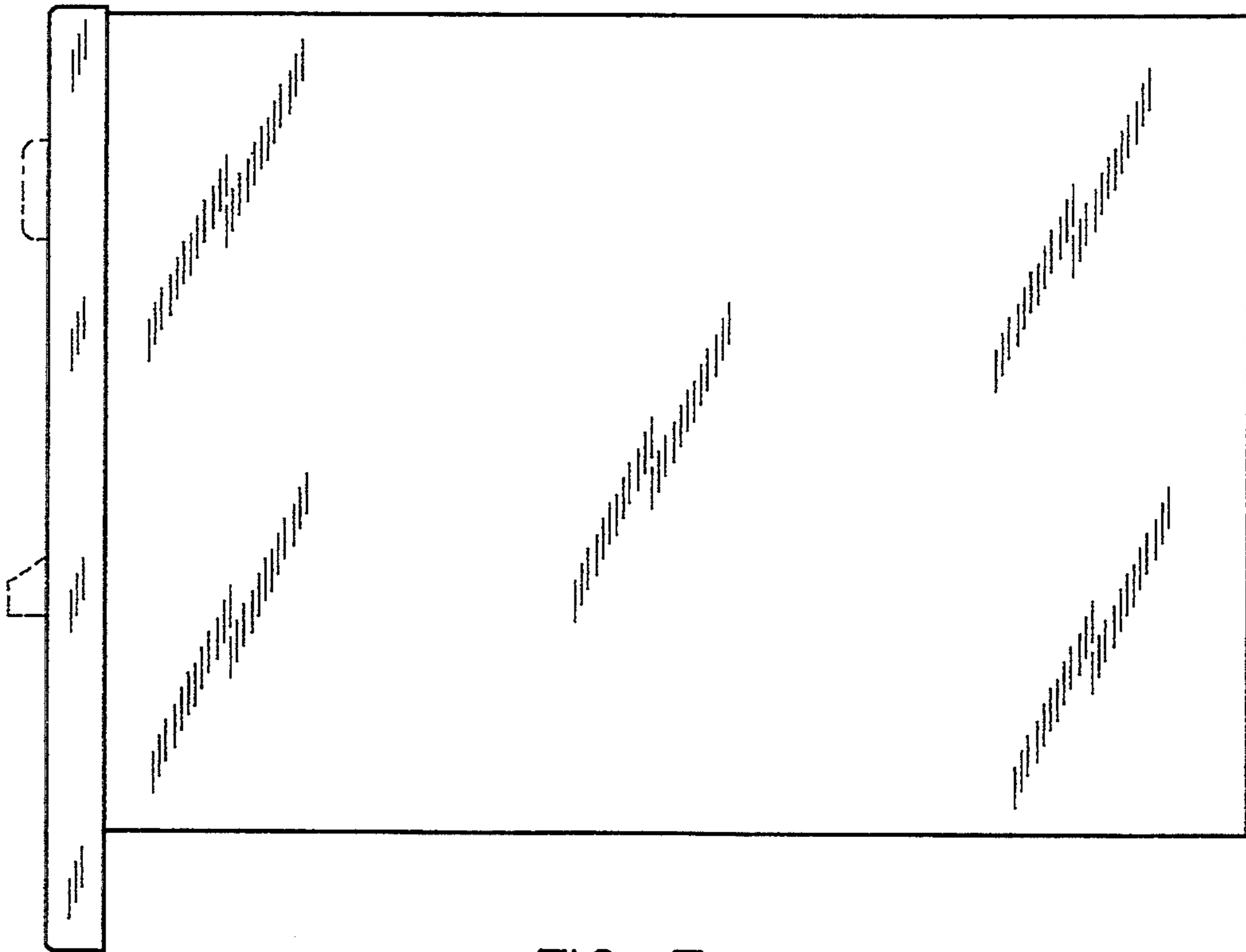


FIG-7