



US00D360225S

**United States Patent** [19]  
**Yang**

[11] **Patent Number: Des. 360,225**

[45] **Date of Patent: \*\* Jul. 11, 1995**

[54] **PUNCH**  
[76] **Inventor: Gee Ing Yang, 5Fl., No. 412-12, 2  
Sec., Chung Shan Rd., Tai Peiping,  
Taichung, Taiwan**  
[\*\*] **Term: 14 Years**  
[21] **Appl. No.: 22,582**  
[22] **Filed: May 9, 1994**  
[52] **U.S. Cl. .... D19/72; D19/65**  
[58] **Field of Search ..... D8/98; D19/65, 72, 95,  
D19/99, 100; 83/166, 167, 454, 465, 467, 468,  
560, 588, 618, 620, 633, 698**

1,692,764 11/1928 Solt ..... 83/618 X  
2,200,672 5/1940 Kern ..... 83/618 X  
4,466,322 8/1984 Mori ..... 83/468

**OTHER PUBLICATIONS**

Jacobs Gardner Office Products, ©1991, see p. 788,  
item B, upper left center.

*Primary Examiner*—Martie Thompson

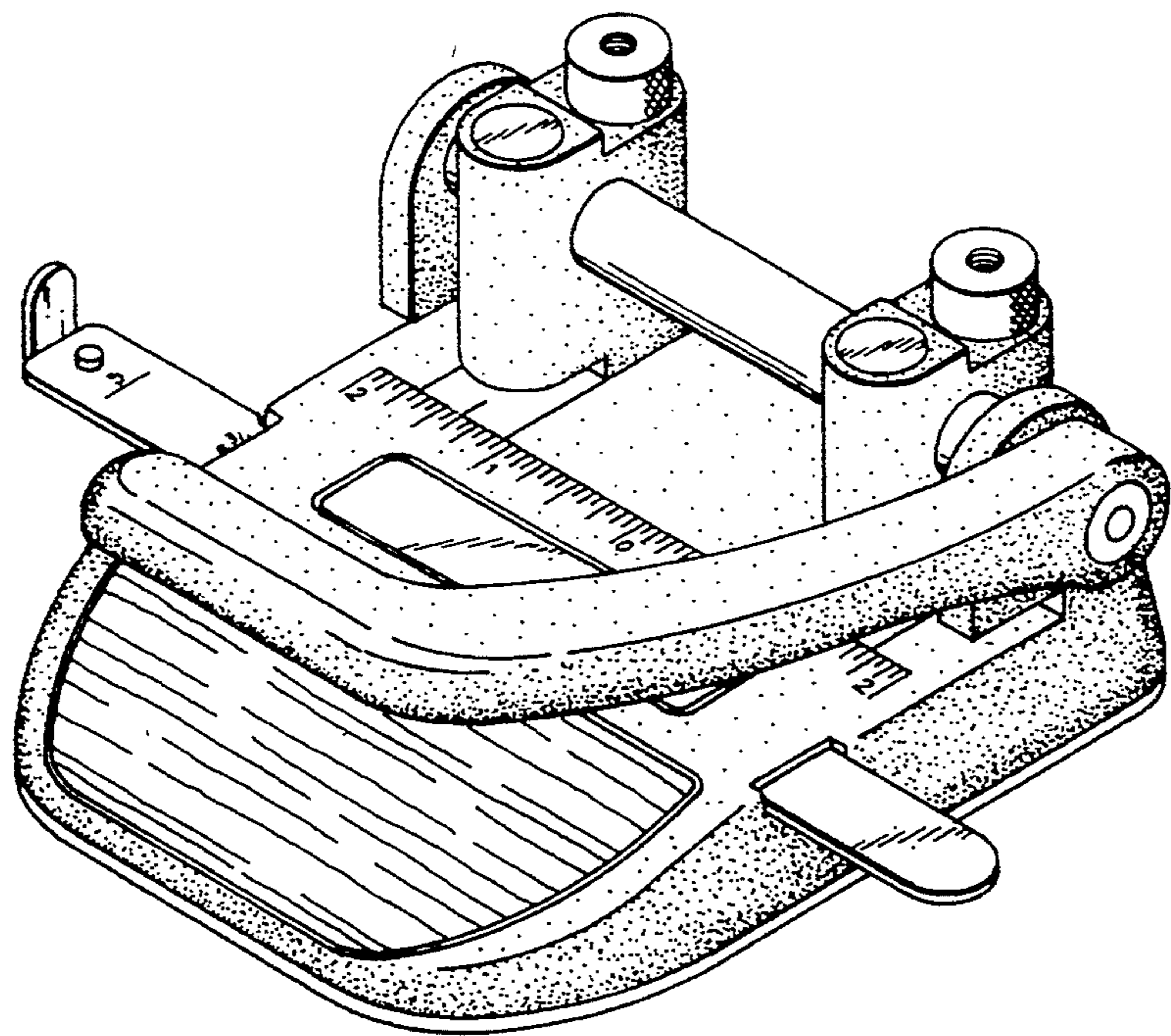
[57] **CLAIM**

The ornamental design for a punch, as shown.

**DESCRIPTION**

FIG. 1 is a perspective view;  
FIG. 2 is a front view  
FIG. 3 is a rear view;  
FIG. 4 is a left view;  
FIG. 5 is a right view;  
FIG. 6 is a top view; and,  
FIG. 7 is a bottom view.

[56] **References Cited**  
**U.S. PATENT DOCUMENTS**  
D. 144,601 4/1946 Yerkes ..... D19/72  
D. 183,155 7/1958 Aleks ..... D19/72  
D. 289,776 5/1987 Goertz et al. .... D19/72



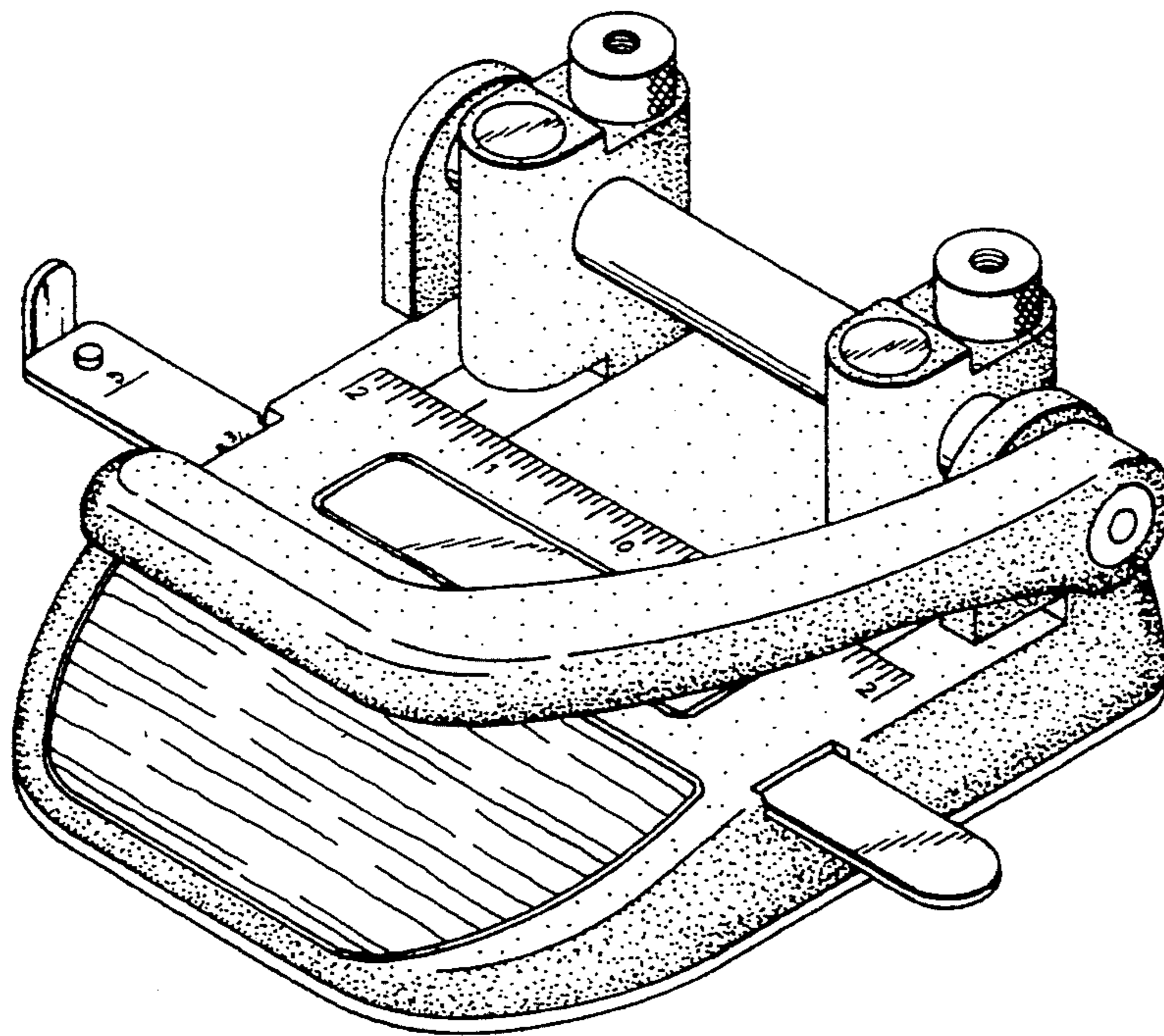


FIG. 1

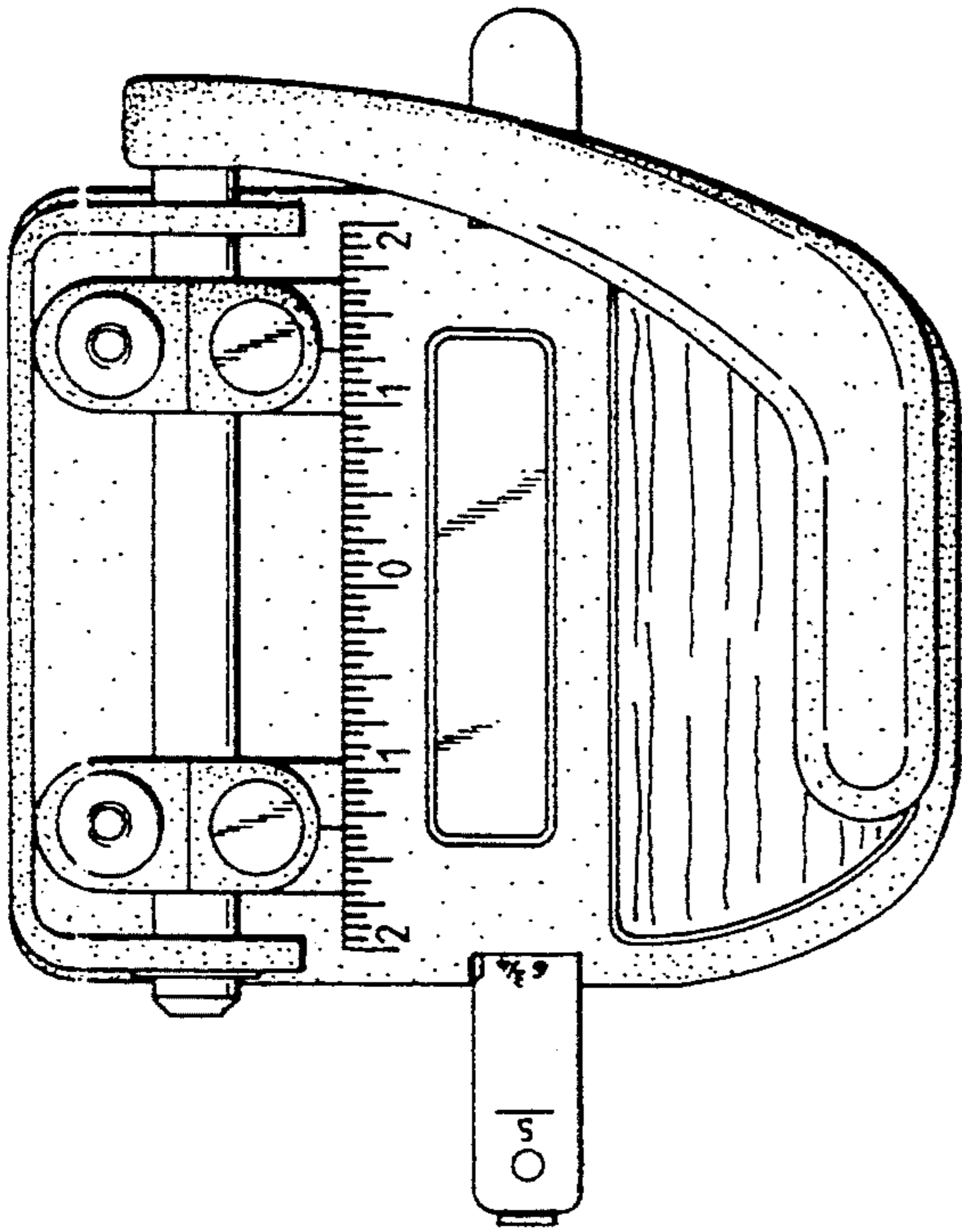


FIG. 6

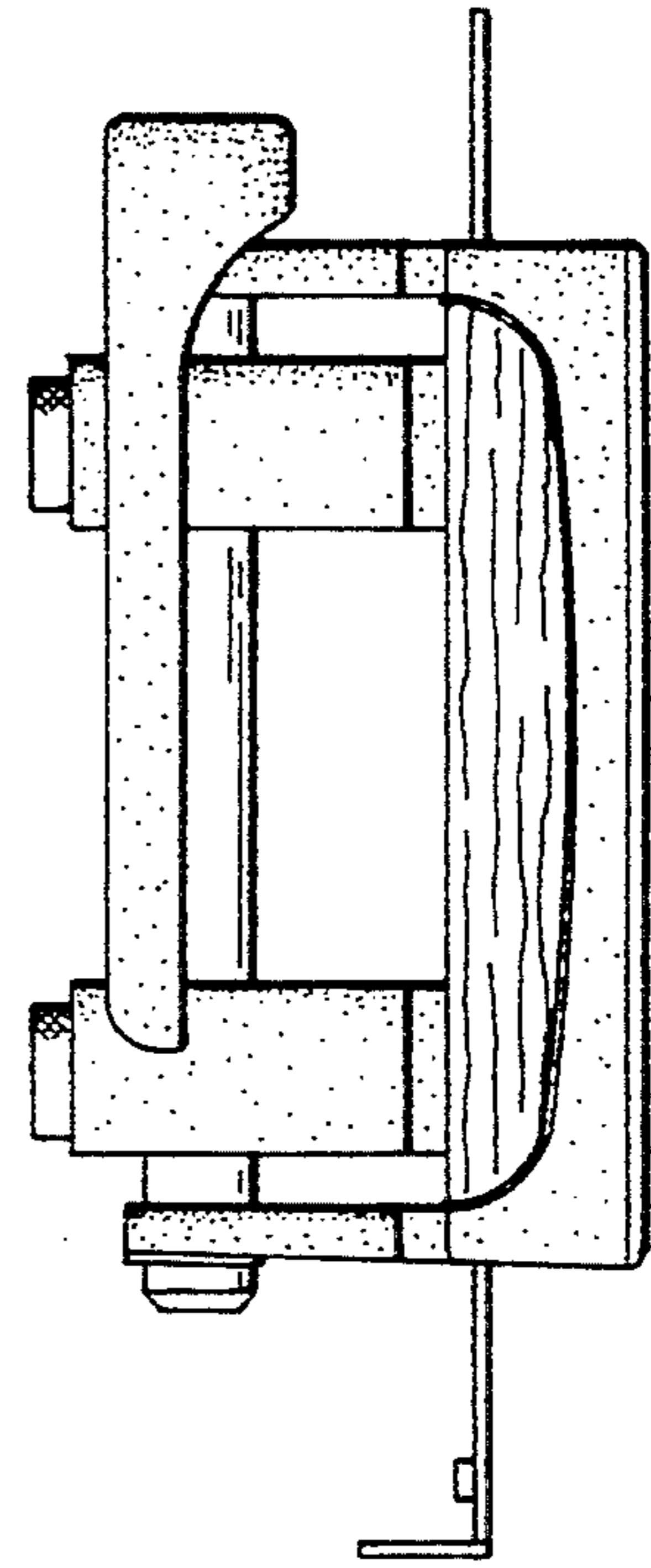


FIG. 2

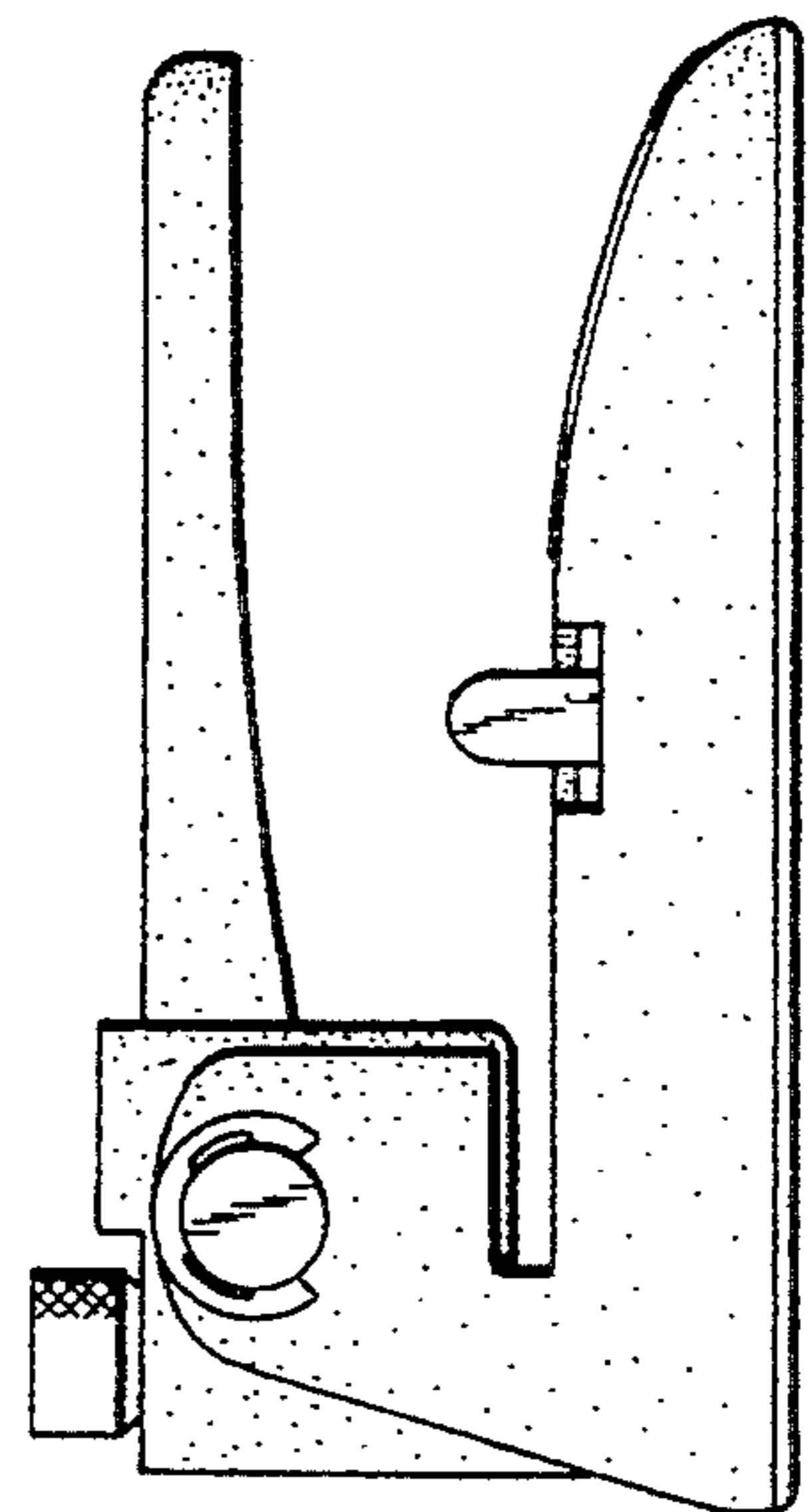


FIG. 4

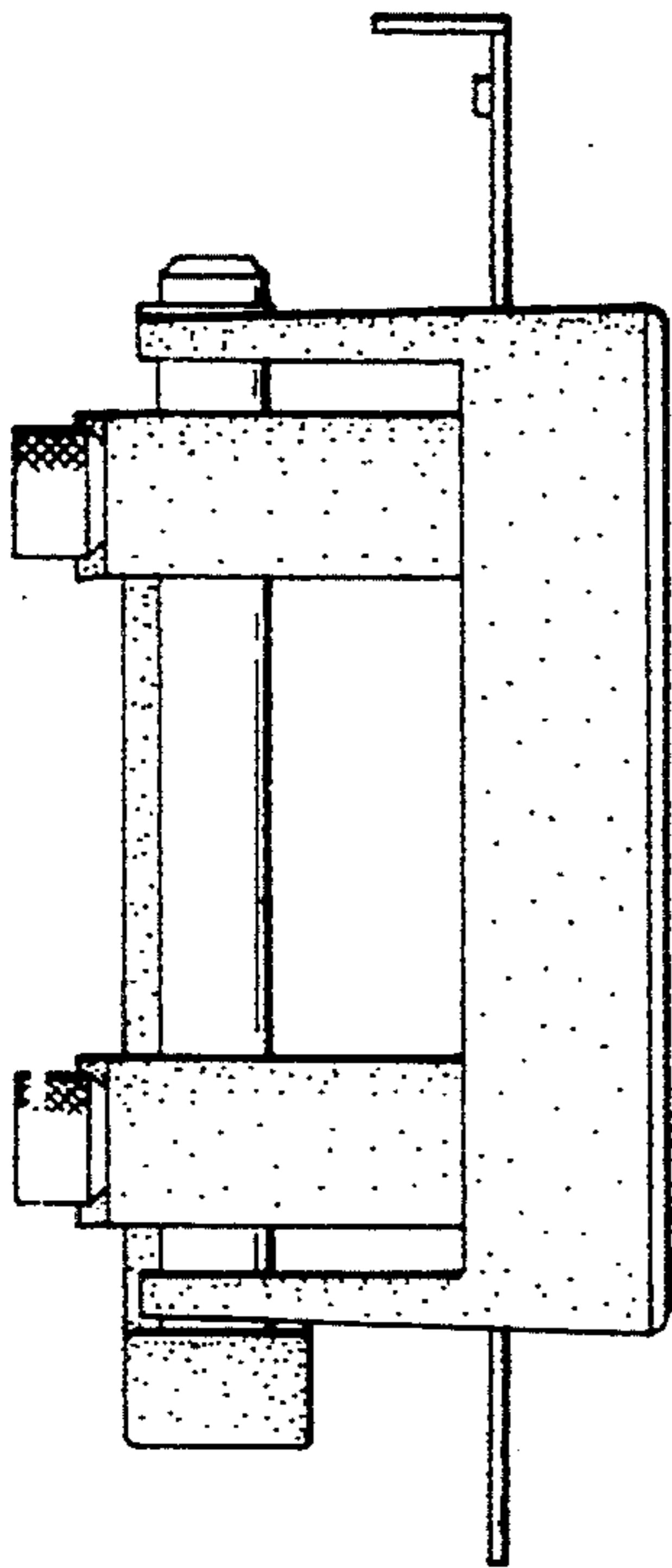


FIG. 3

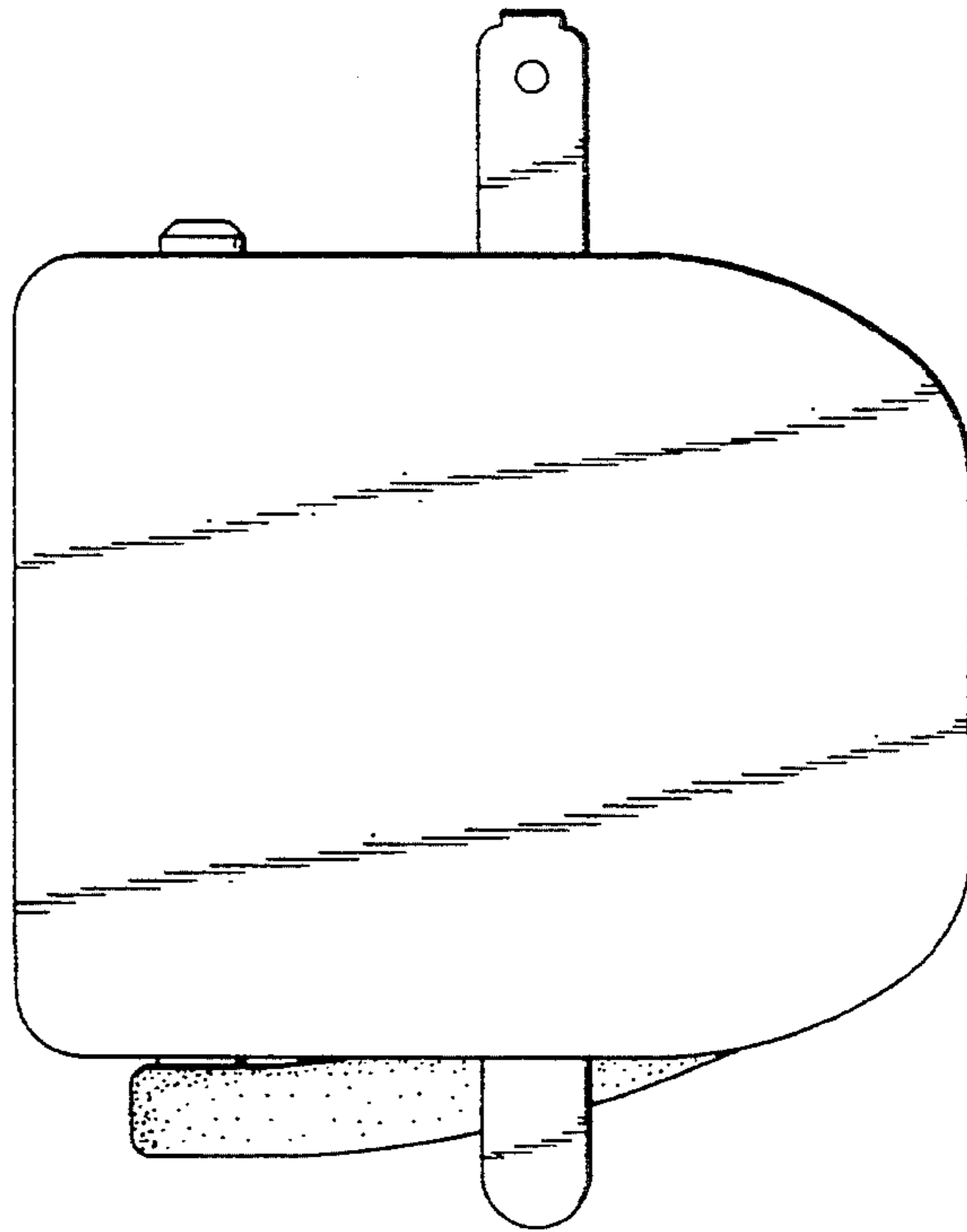


FIG. 7

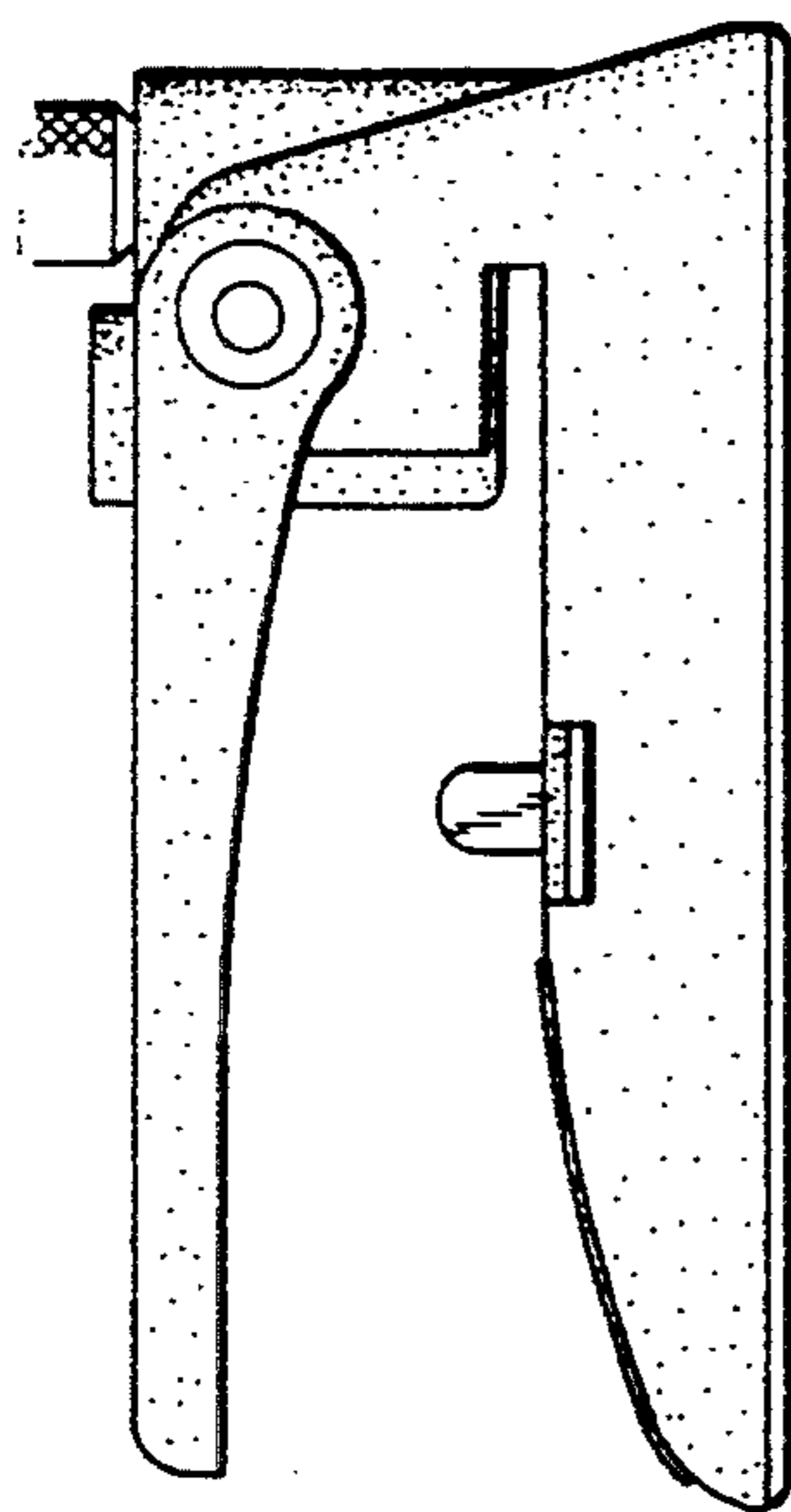


FIG. 5