



US00D360221S

# United States Patent [19]

Wu

[11] Patent Number: **Des. 360,221**

[45] Date of Patent: **\*\* Jul. 11, 1995**

[54] **DOCUMENT BINDER**

[76] Inventor: **Ming C. Wu**, 4F., No. 2, Alley 8, Lane 13, Chin-Lung Rd., Nei-Hu Dist., Taipei,

[\*\*] Term: **14 Years**

[21] Appl. No.: **25,003**

[22] Filed: **Jun. 24, 1994**

[52] U.S. Cl. .... **D19/32**

[58] Field of Search ..... D19/32, 26, 27, 28; 281/31, 29, 15.1; 402/60, 61, 63, 68, 80 R, 80 P, 4, 5, 24; 40/649

920,985	5/1909	Nelson	.....	402/63
1,100,058	6/1914	Dowst	.....	402/63
3,626,619	12/1971	Boedeker	.....	40/649 X

*Primary Examiner*—A. Hugo Word  
*Assistant Examiner*—Pamela Burgess  
*Attorney, Agent, or Firm*—Pro-Techtor International

[57] **CLAIM**

The ornamental design for a document binder, as shown.

**DESCRIPTION**

FIG. 1 is a perspective view of a document binder showing my design:

FIG. 2 is a front view thereof;

FIG. 3 is a rear view thereof;

FIG. 4 is a left view thereof;

FIG. 5 is a right view thereof;

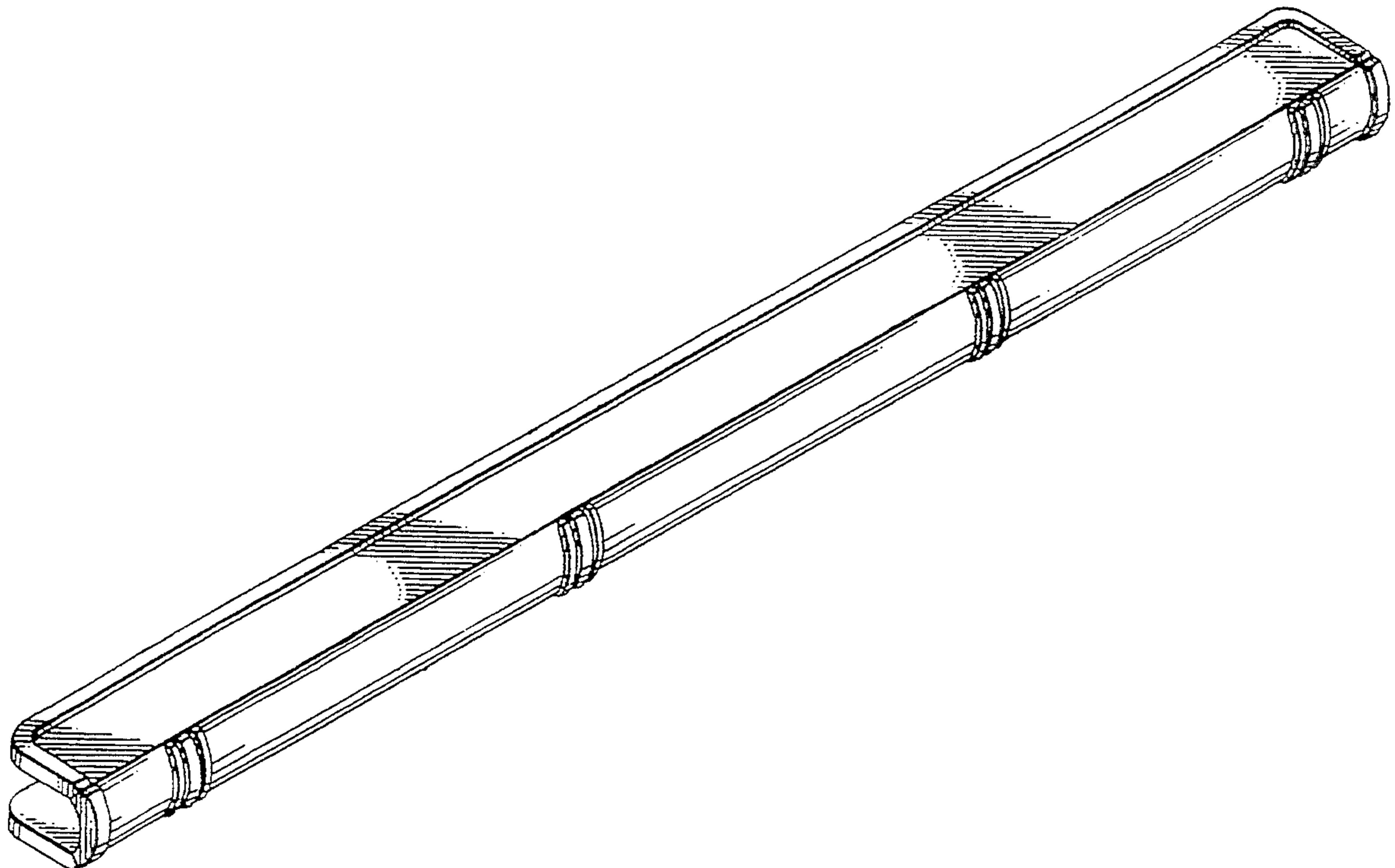
FIG. 6 is a top view thereof; and,

FIG. 7 is a bottom view thereof.

[56] **References Cited**

**U.S. PATENT DOCUMENTS**

282.527	8/1883	Jackson	.....	402/63
D. 346,618	5/1994	Holmes	.....	D19/32
509.533	11/1893	Hatton	.....	402/63



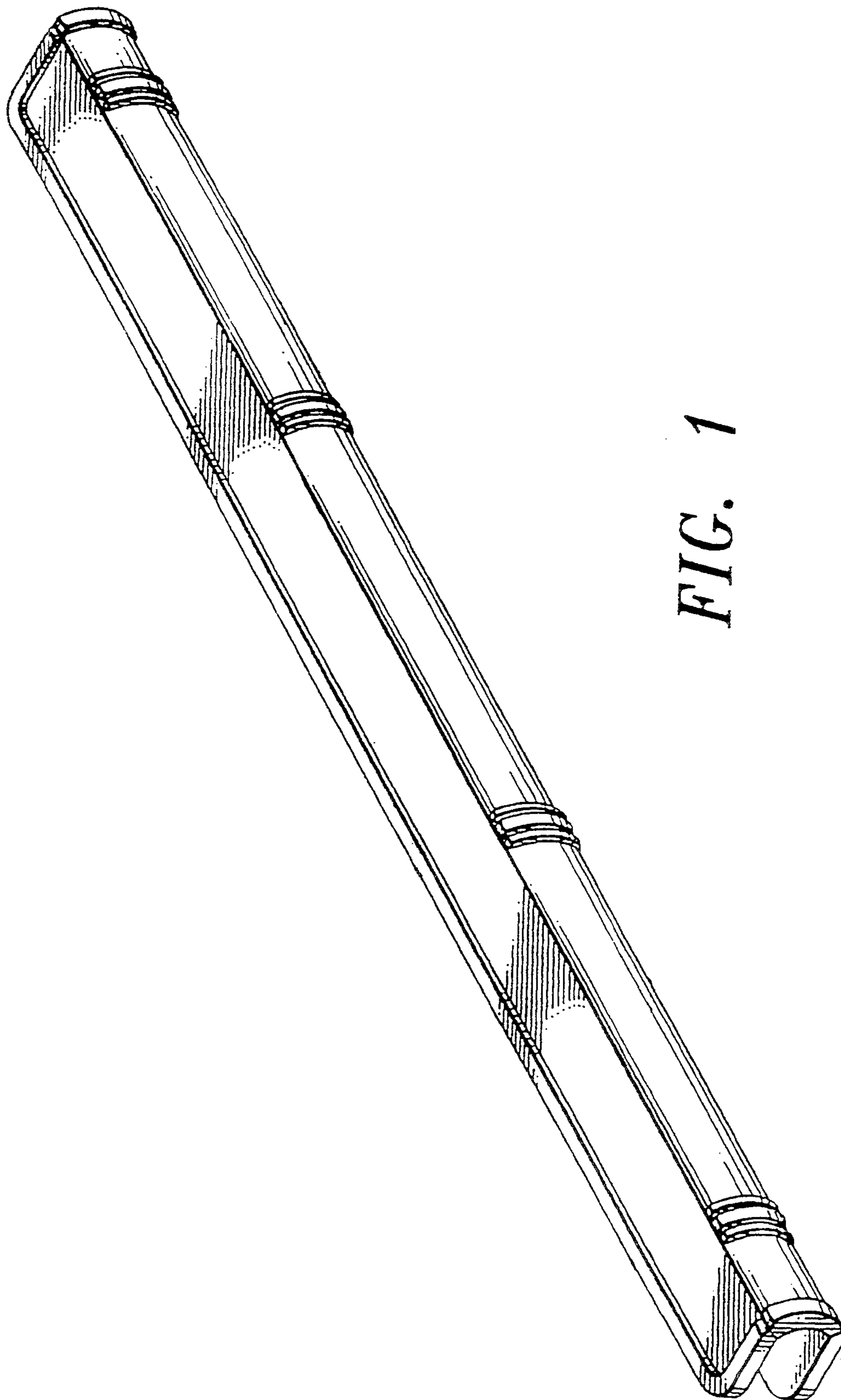
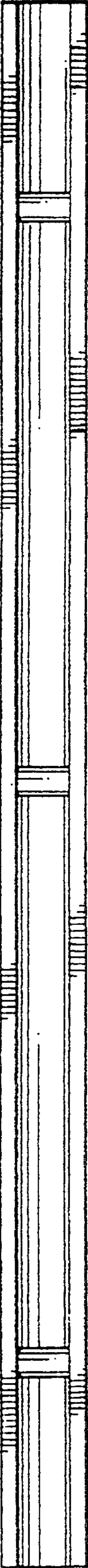


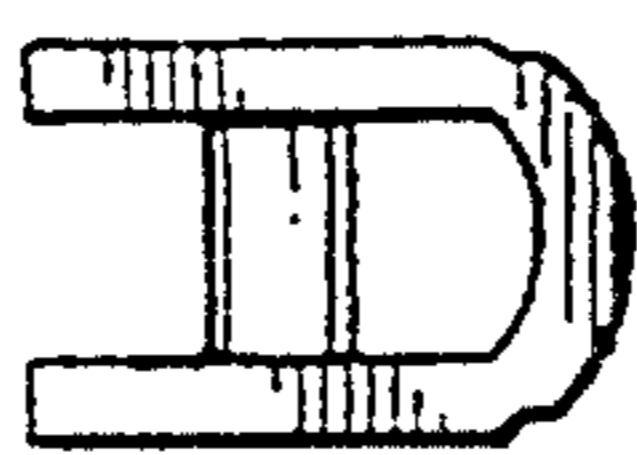
FIG. 1



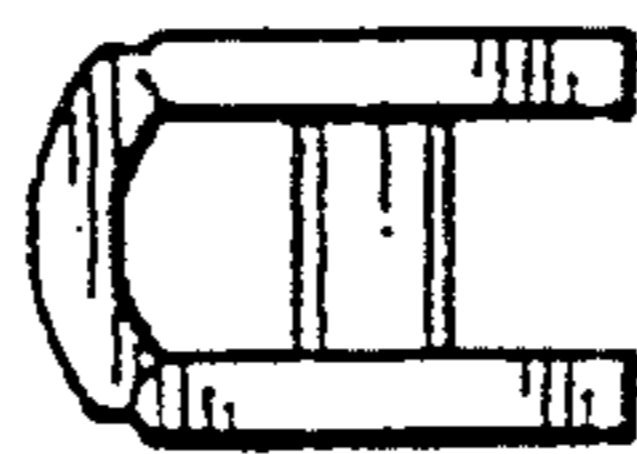
*FIG. 2*



*FIG. 3*



*FIG. 4*



*FIG. 5*

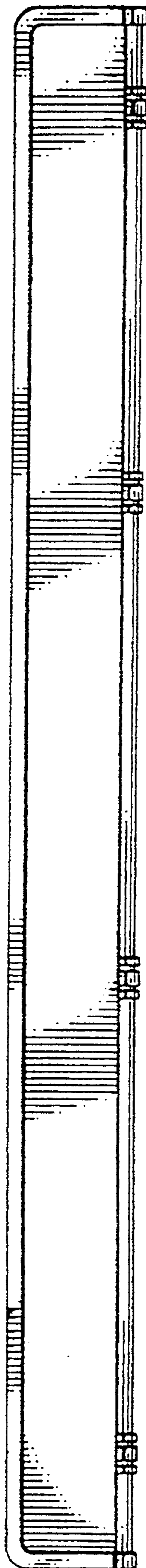


FIG. 6

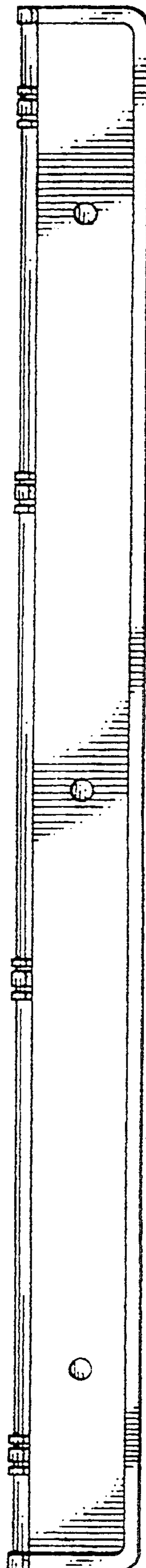


FIG. 7