



US00D360220S

United States Patent [19]

Noonan et al.

[11] Patent Number: **Des. 360,220**

[45] Date of Patent: **** Jul. 11, 1995**

[54] **TAPE CARTRIDGE FOR DEBOSSMENT STAMPER FOR LOGO IMPRESSION**

4,738,554	4/1988	Tajima	400/208
4,747,711	5/1988	Matta et al.	400/208
4,930,911	6/1990	Sampson et al.	400/28

[75] Inventors: **Daniel T. Noonan**, Greene, N.Y.; **Roger M. Gray**, Lewisville, Tex.; **Raymond D. Heistand, II**, Flower Mound, Tex.; **Barry C. Kockler**, Lewisville, Tex.; **Gerald D. Perry**, The Colony, Tex.

FOREIGN PATENT DOCUMENTS

0167596	7/1986	Japan	400/208
0291169	12/1986	Japan	400/208
0152769	7/1987	Japan	400/208
0191180	8/1987	Japan	400/208
0221174	9/1987	Japan	400/208
4028581	1/1992	Japan	400/208

[73] Assignee: **Taurus Impressions, Inc.**, Mountain View, Calif.

Primary Examiner—Cathy Anne MacCormac
Attorney, Agent, or Firm—Skjerven, Morrill, MacPherson, Franklin, & Friel

[**] Term: **14 Years**

[21] Appl. No.: **9,664**

[57] CLAIM

[22] Filed: **Jun. 17, 1993**

[52] U.S. Cl. **D18/56**

[58] Field of Search D18/56; 400/208; 101/27, 29, 336

The ornamental design for a tape cartridge for debossment stamper for logo impression, as shown and described.

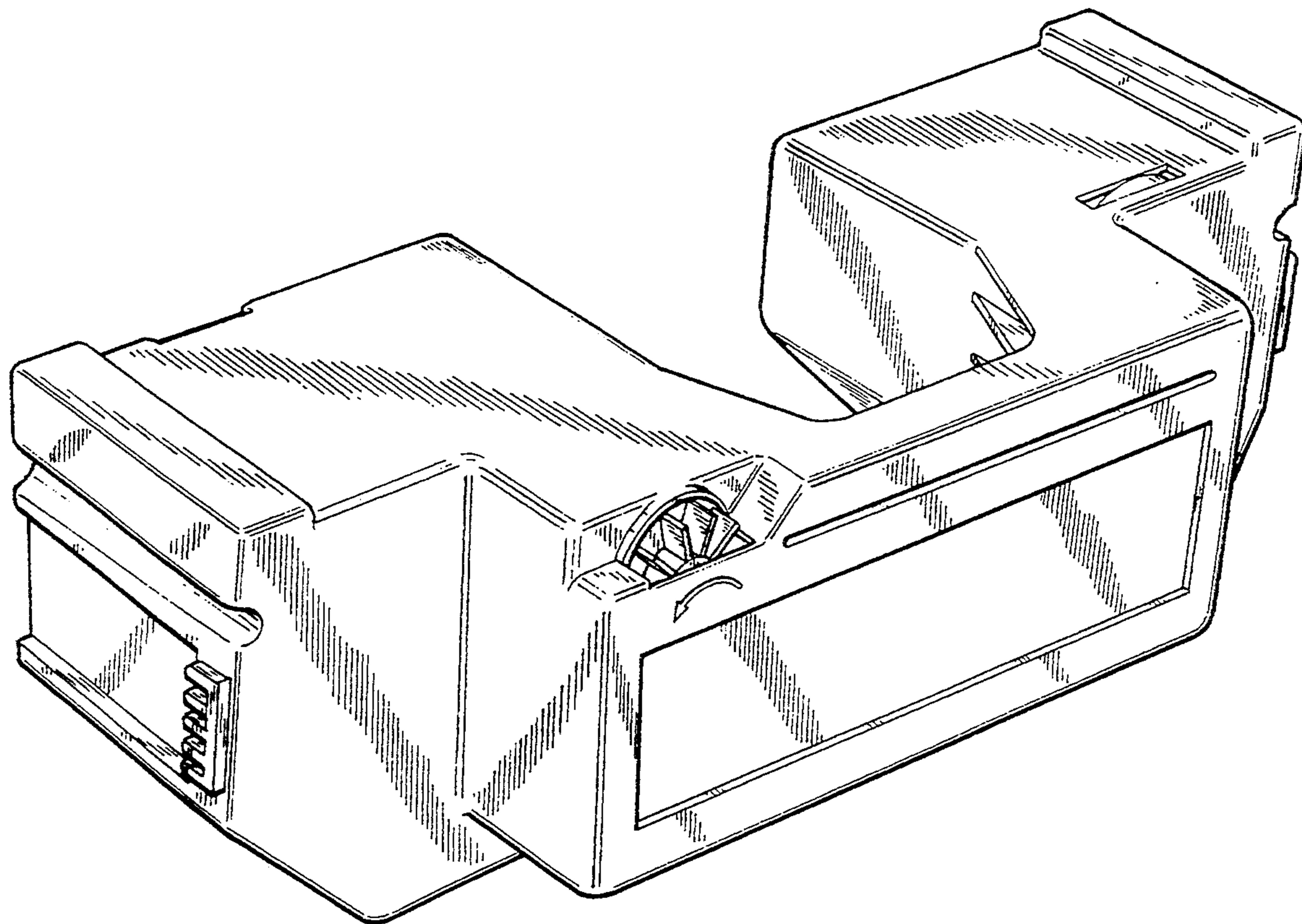
[56] References Cited

DESCRIPTION

U.S. PATENT DOCUMENTS

D. 280,210	8/1985	Ledoux	D18/56
D. 318,682	7/1991	Gokita	D18/56
4,264,223	4/1981	Bemis et al.	400/208
4,352,575	10/1982	Shore	400/208
4,373,436	2/1983	Shenoha	101/27
4,388,006	6/1983	Waibel	400/208
4,564,848	1/1986	Kuzumi	400/208
4,623,273	11/1986	Ohsaki	400/208
4,650,355	3/1987	Cassiano et al.	400/208

FIG. 1 is a front perspective view of a tape cartridge for debossment stamper for logo impression showing our new design;
FIG. 2 is an upper rear perspective view thereof;
FIG. 3 is a top plan view thereof;
FIG. 4 is a front elevation view thereof;
FIG. 5 is a left side elevation view thereof;
FIG. 6 is a right side elevation view thereof;
FIG. 7 is a bottom plan view thereof; and,
FIG. 8 is a rear elevation view thereof.



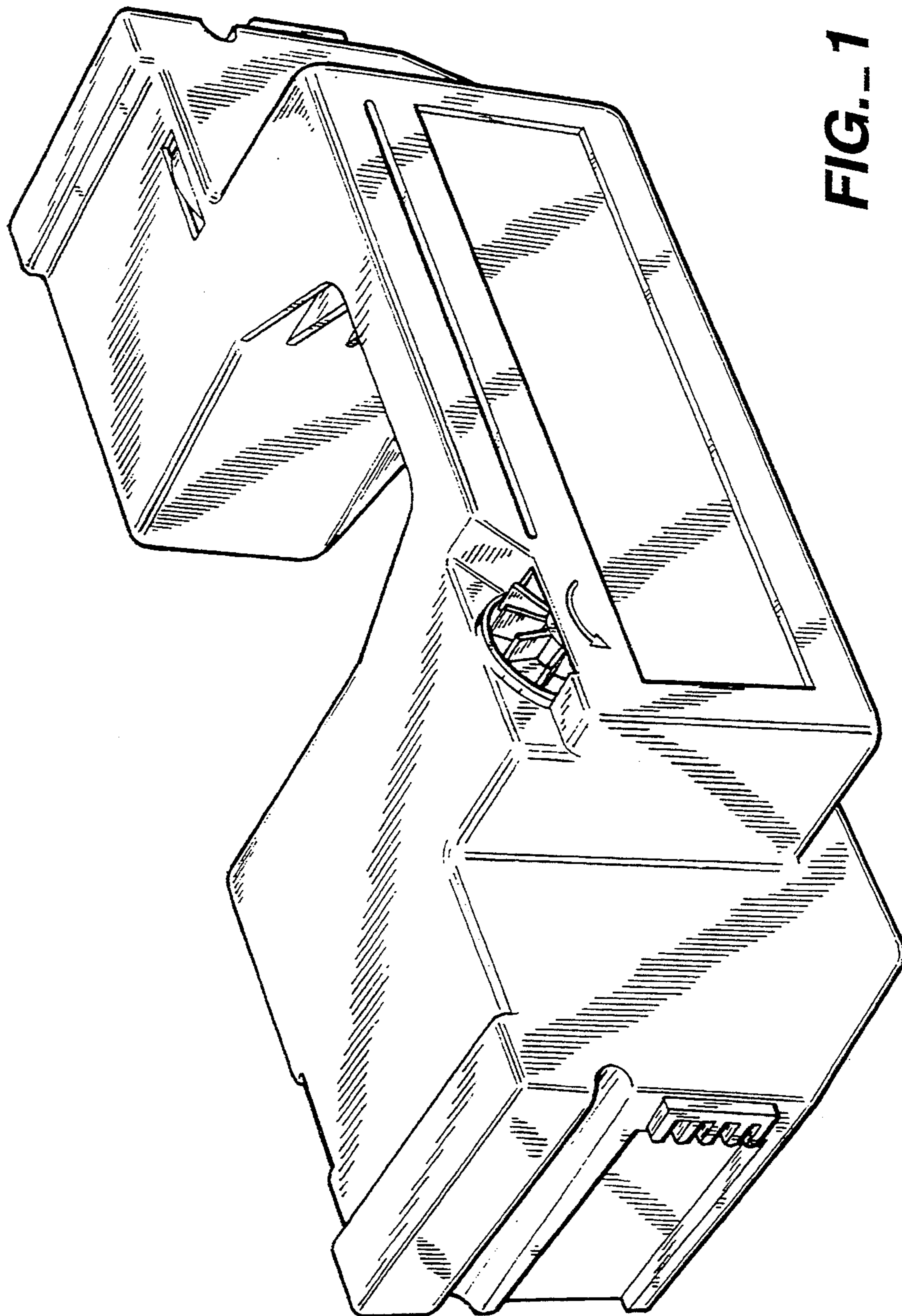


FIG. 1

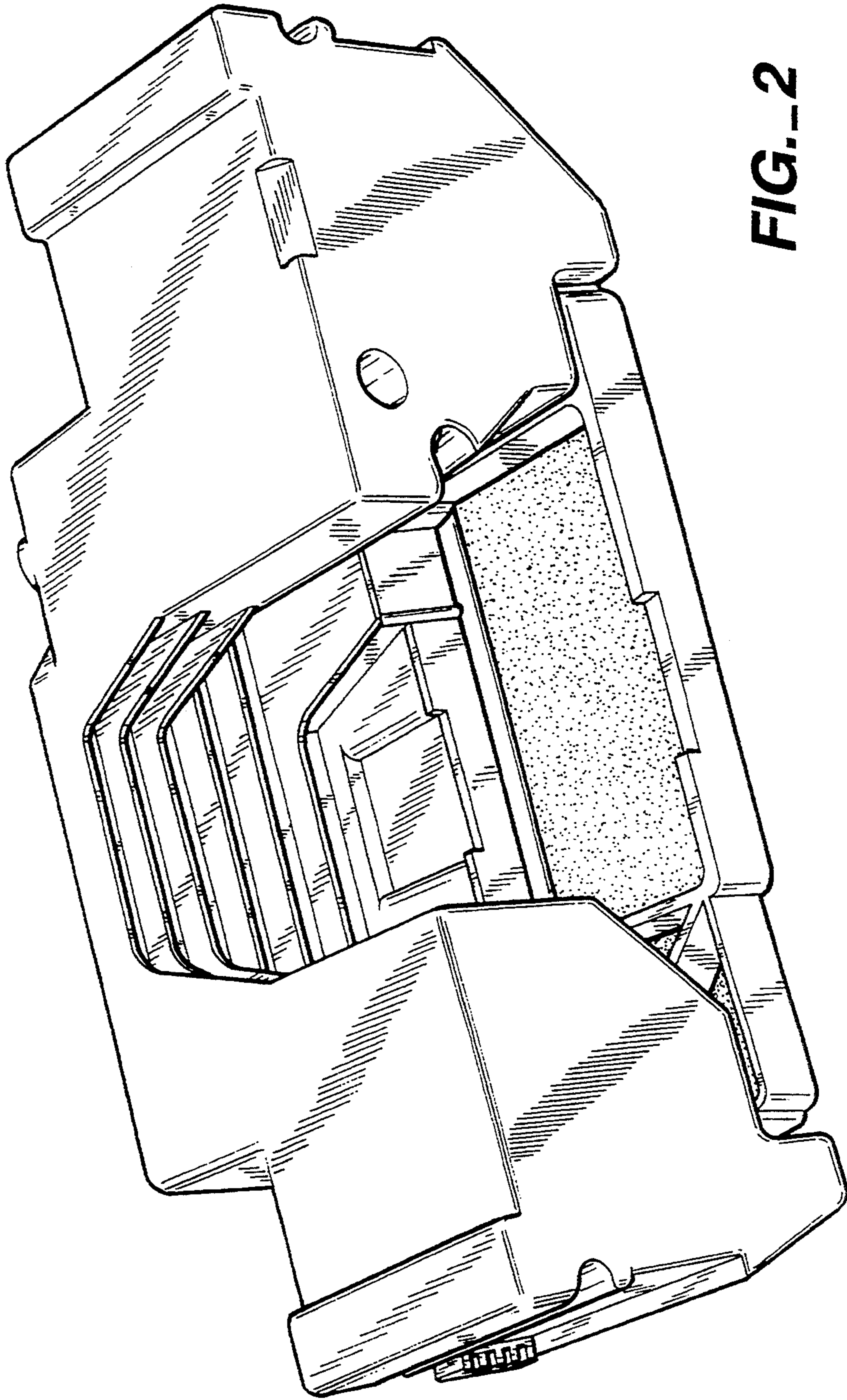


FIG. 2

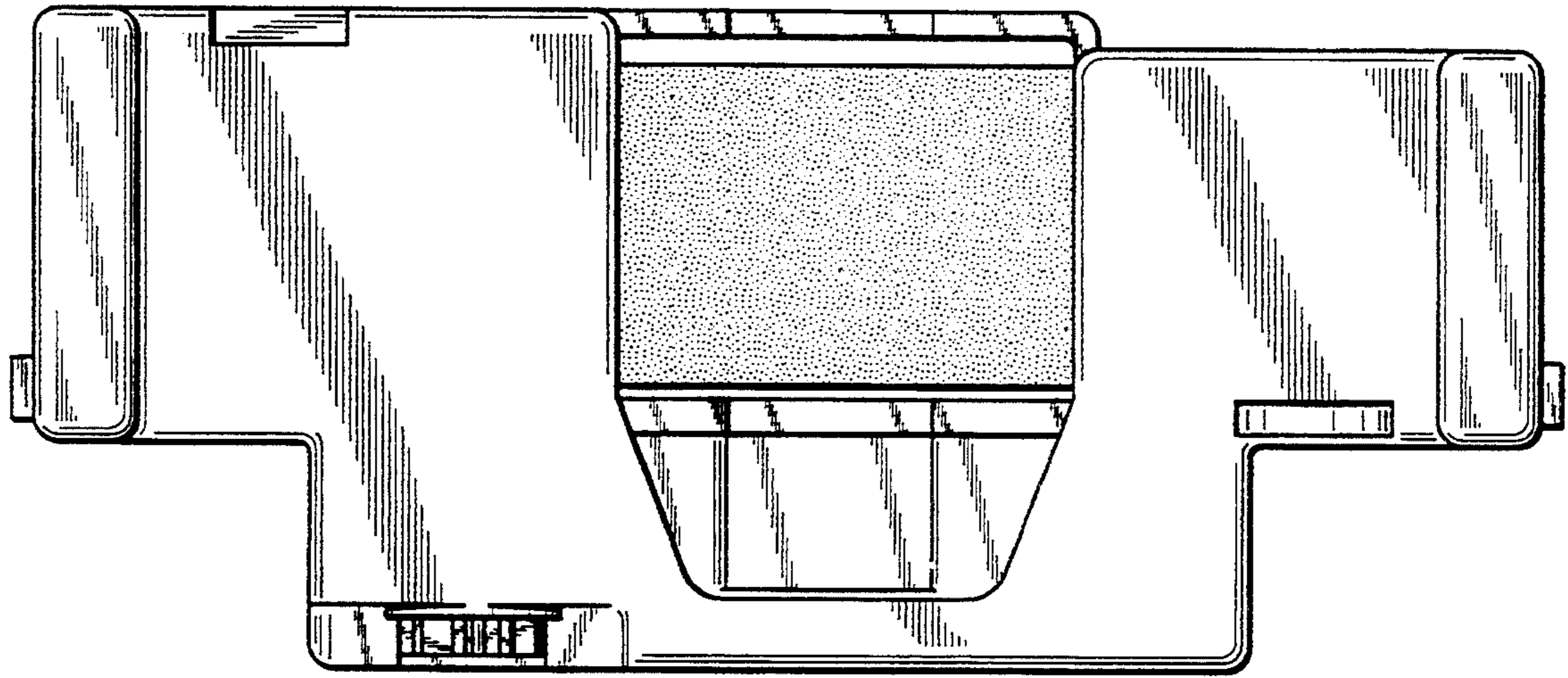


FIG._3

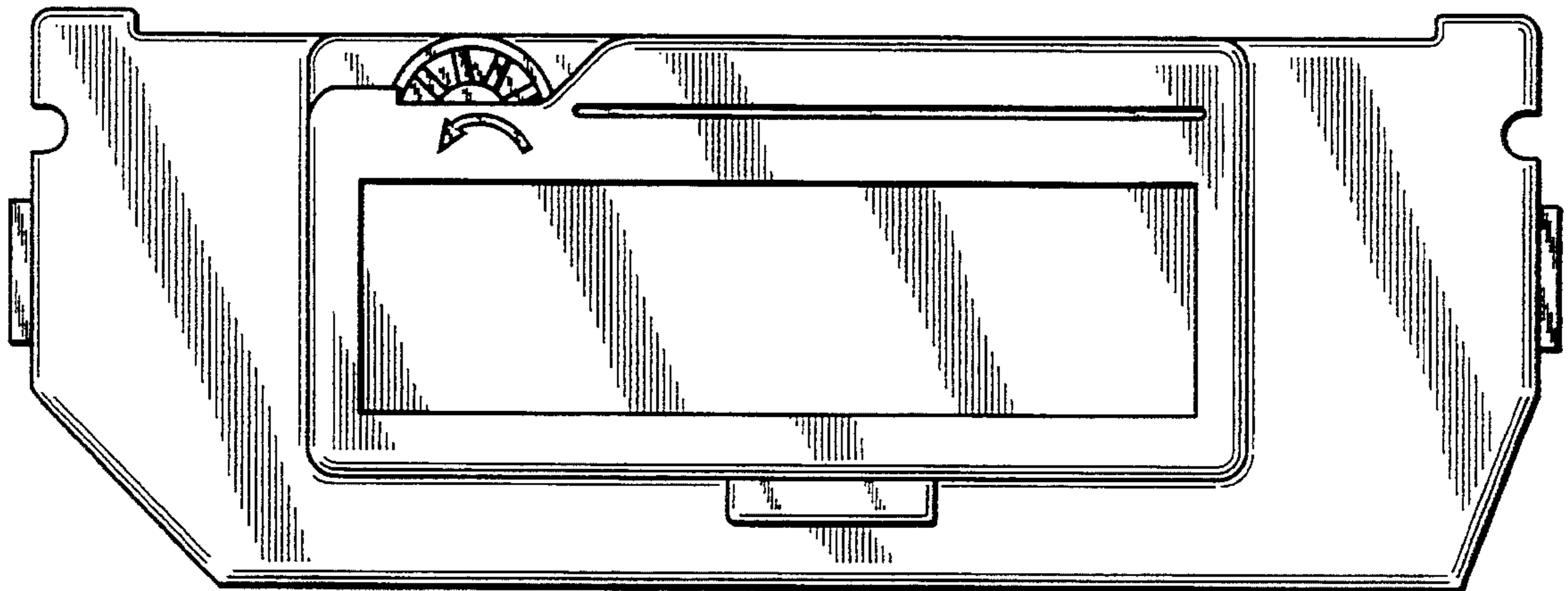


FIG._4

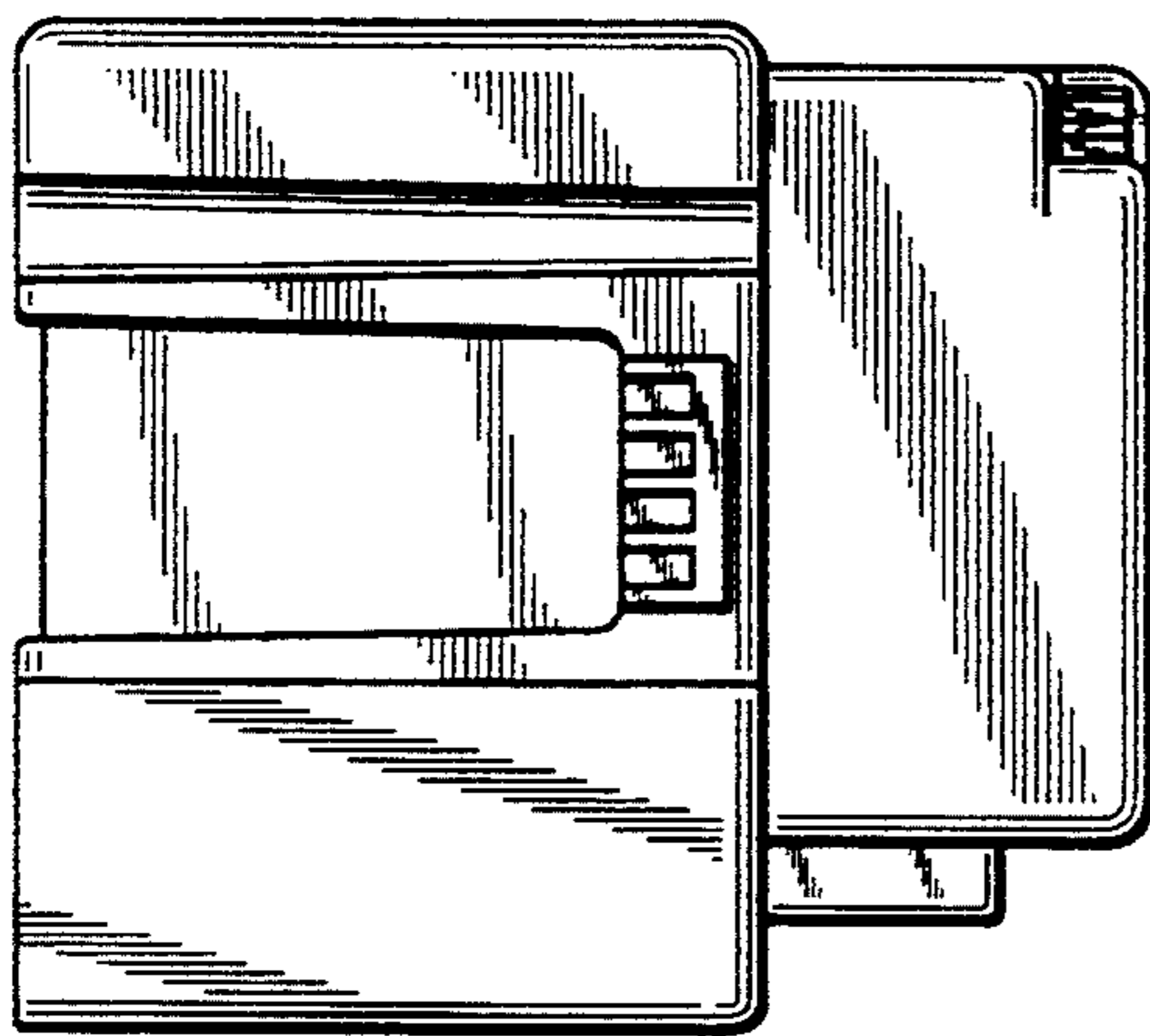


FIG._5

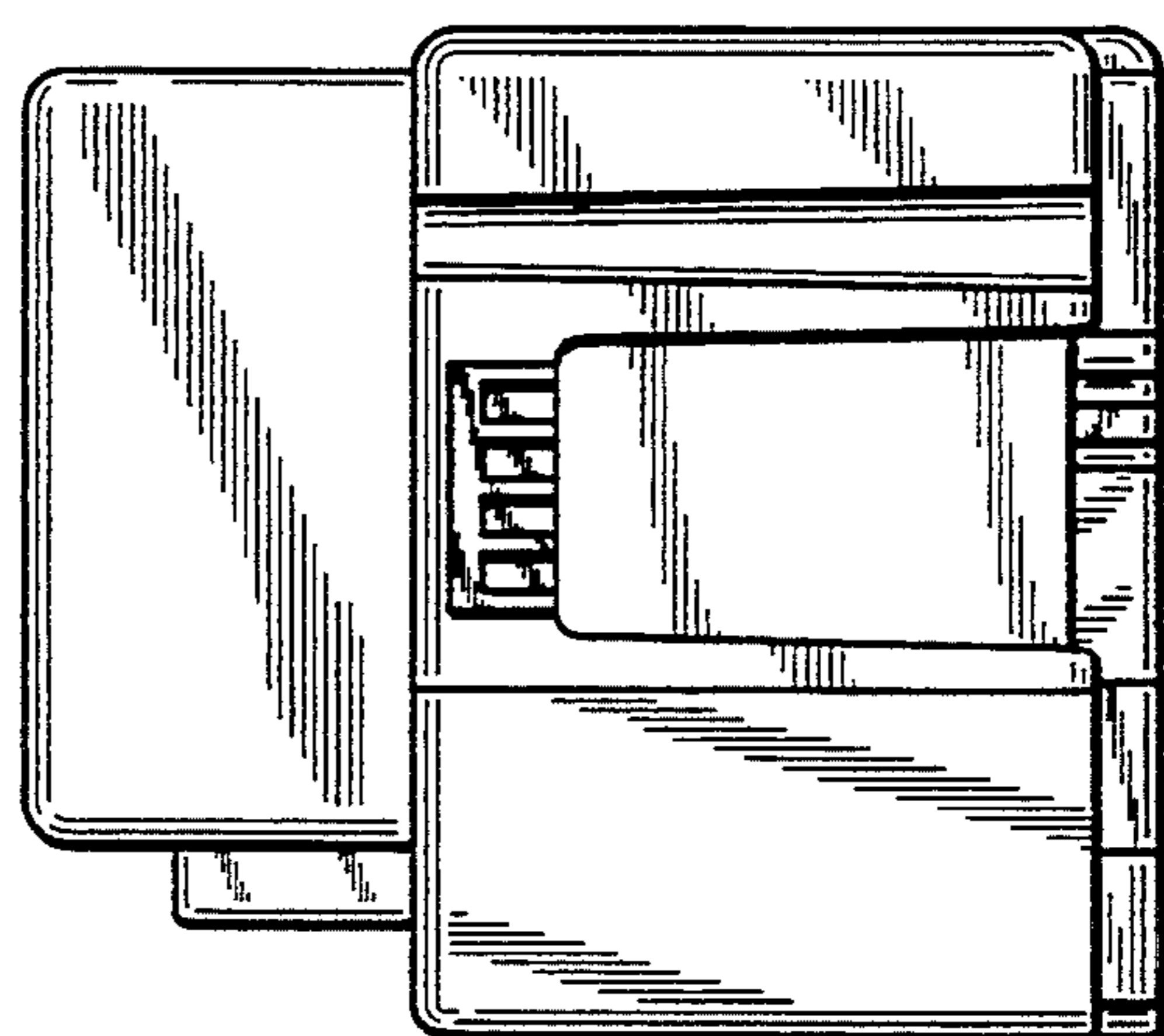


FIG._6

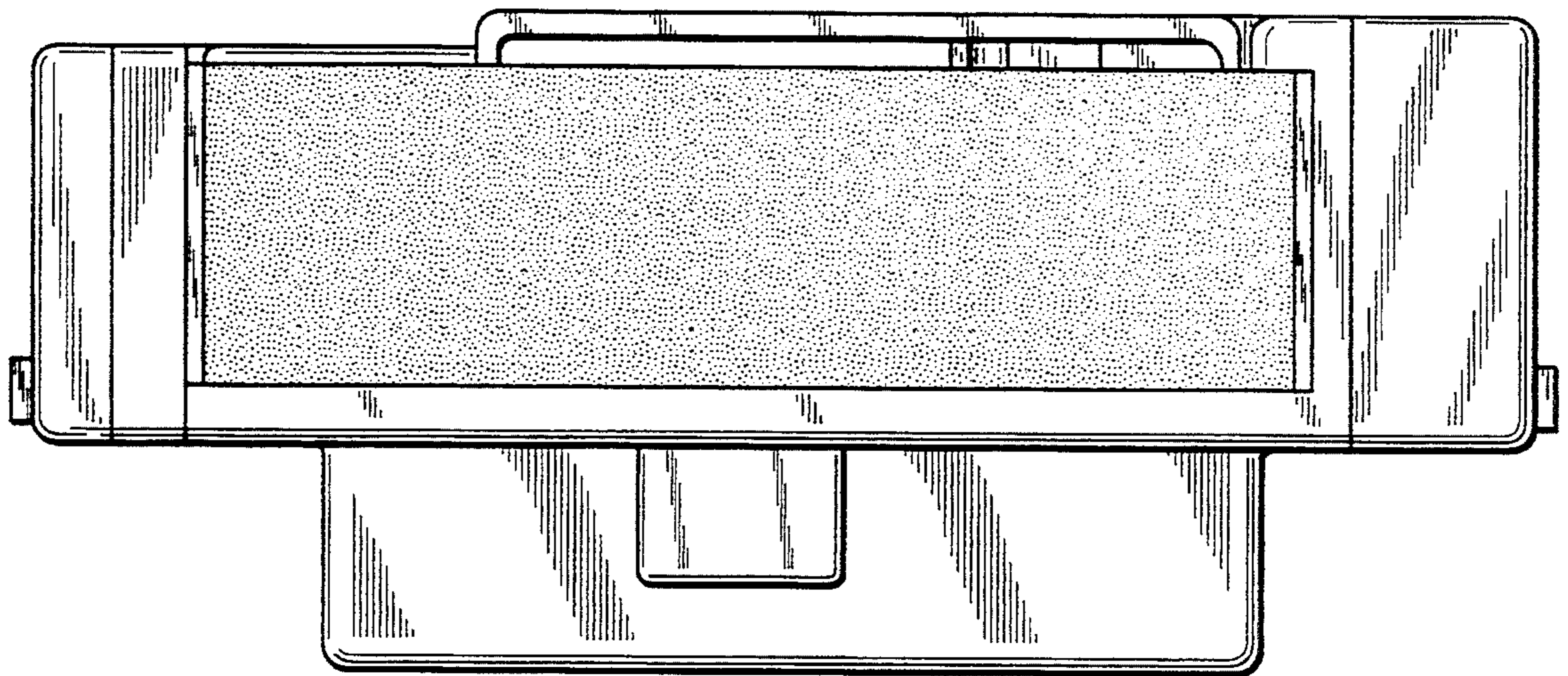


FIG. 7

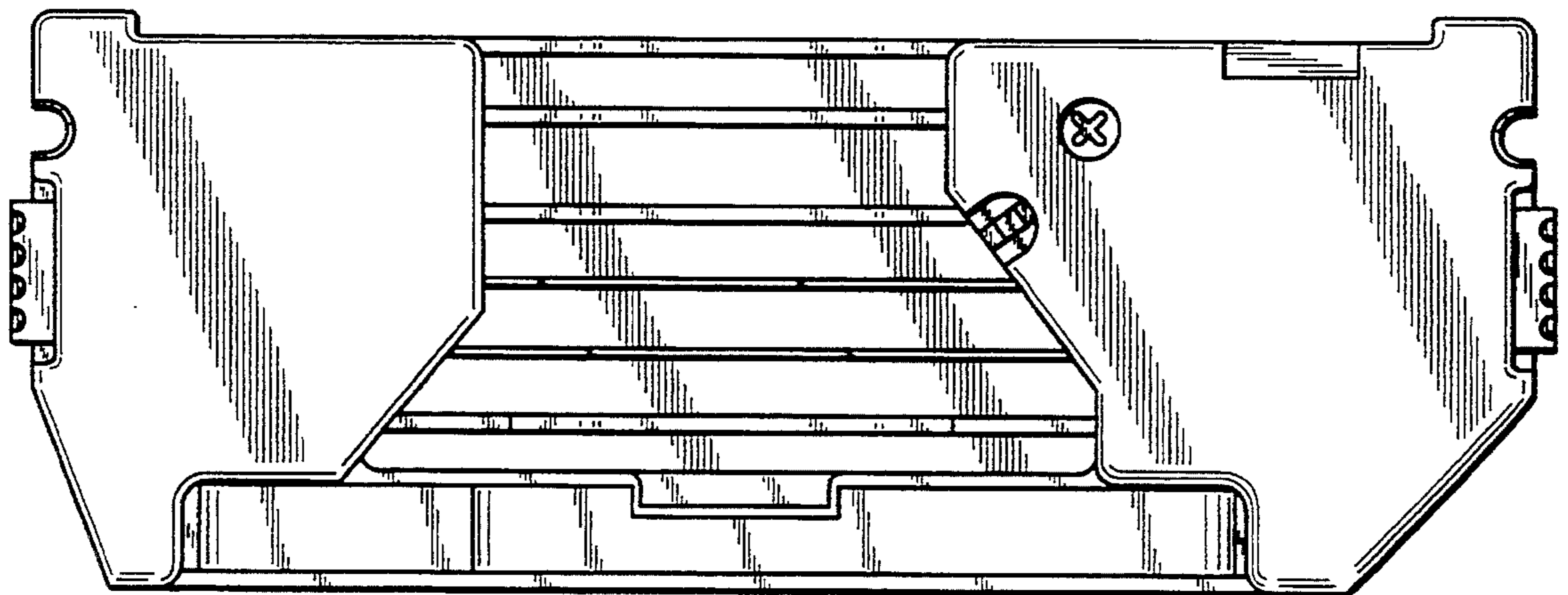


FIG. 8