



US00D360217S

# United States Patent [19]

[11] Patent Number: **Des. 360,217**

Shull et al.

[45] Date of Patent: **\*\* Jul. 11, 1995**

[54] **PHOTOGRAPHIC CAMERA**

[75] Inventors: **Steven W. Shull**, Calabasas; **Brent M. Kikawa**, Monrovia, both of Calif.

[73] Assignee: **Vivitar Corporation**, Newbury Park, Calif.

[\*\*] Term: **14 Years**

[21] Appl. No.: **26,535**

[22] Filed: **Aug. 1, 1994**

[52] U.S. Cl. .... **D16/209**

[58] Field of Search ..... **D16/200-205, D16/208, 209, 216-218; 354/126, 127.11, 149.11, 288**

D. 345,989 4/1994 Akabane et al. .... D16/209  
D. 351,400 10/1994 Suyama et al. .... D16/209  
4,609,270 9/1986 Kohno et al. .... 354/288

**OTHER PUBLICATIONS**

Evans Catalog, 1988-1989 p. 305 y (Vivitar's PS-135).

*Primary Examiner*—Theodore M. Shooman

*Assistant Examiner*—Adir Aronovich

*Attorney, Agent, or Firm*—Lyon & Lyon

[57] **CLAIM**

The ornamental design for a photographic camera, as shown.

**DESCRIPTION**

FIG. 1 is a front elevational view of a photographic camera showing my new design;

FIG. 2 is a top plan view thereof;

FIG. 3 is a left side elevational view thereof;

FIG. 4 is a side elevational view thereof;

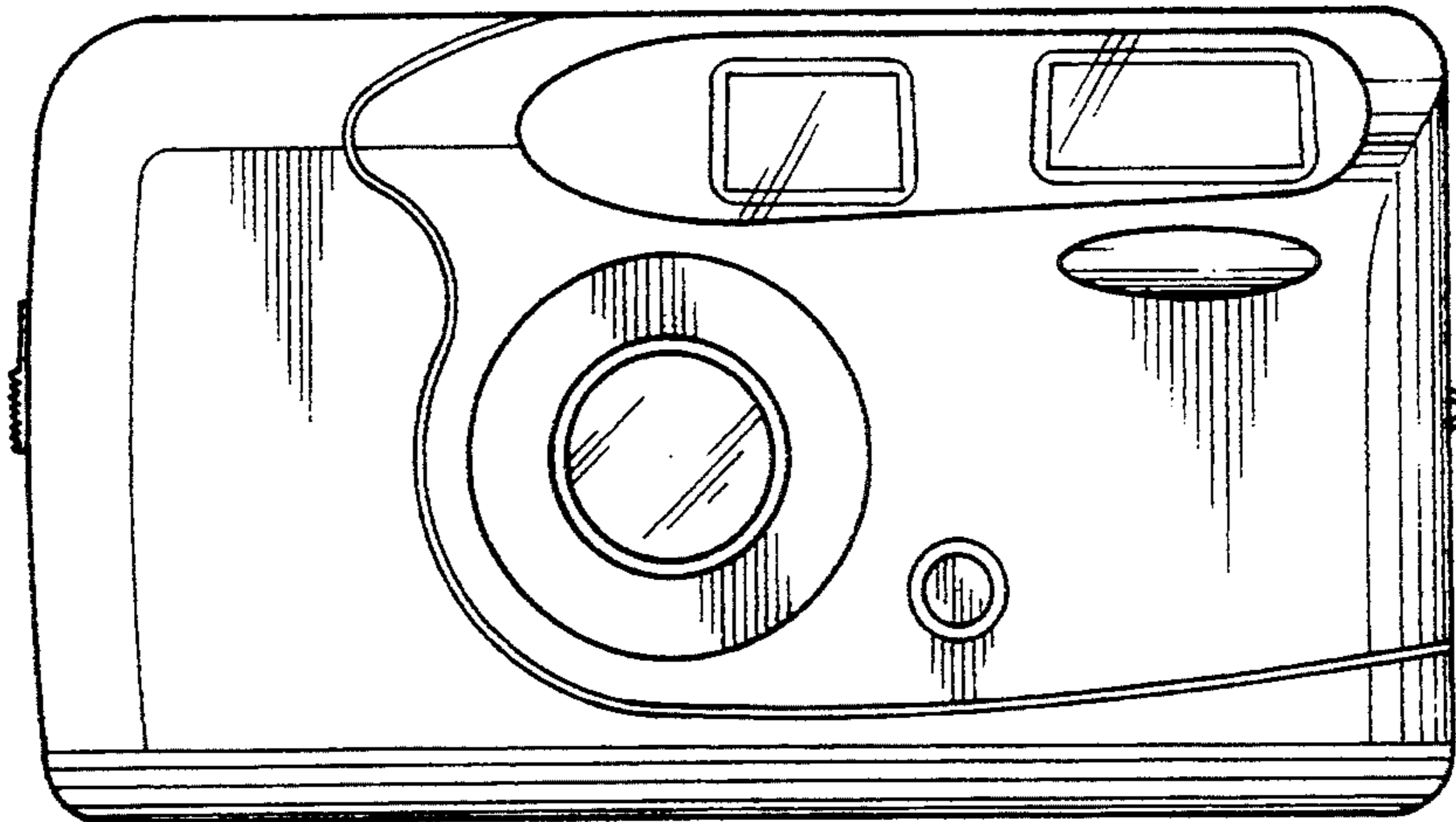
FIG. 5 is a rear elevational view thereof; and,

FIG. 6 is a bottom plan view thereof.

[56] **References Cited**

**U.S. PATENT DOCUMENTS**

D. 322,977 1/1992 Yamamoto ..... D16/209  
D. 329,863 9/1992 Shull et al. .... D16/209  
D. 345,173 3/1994 Swayze ..... D16/209



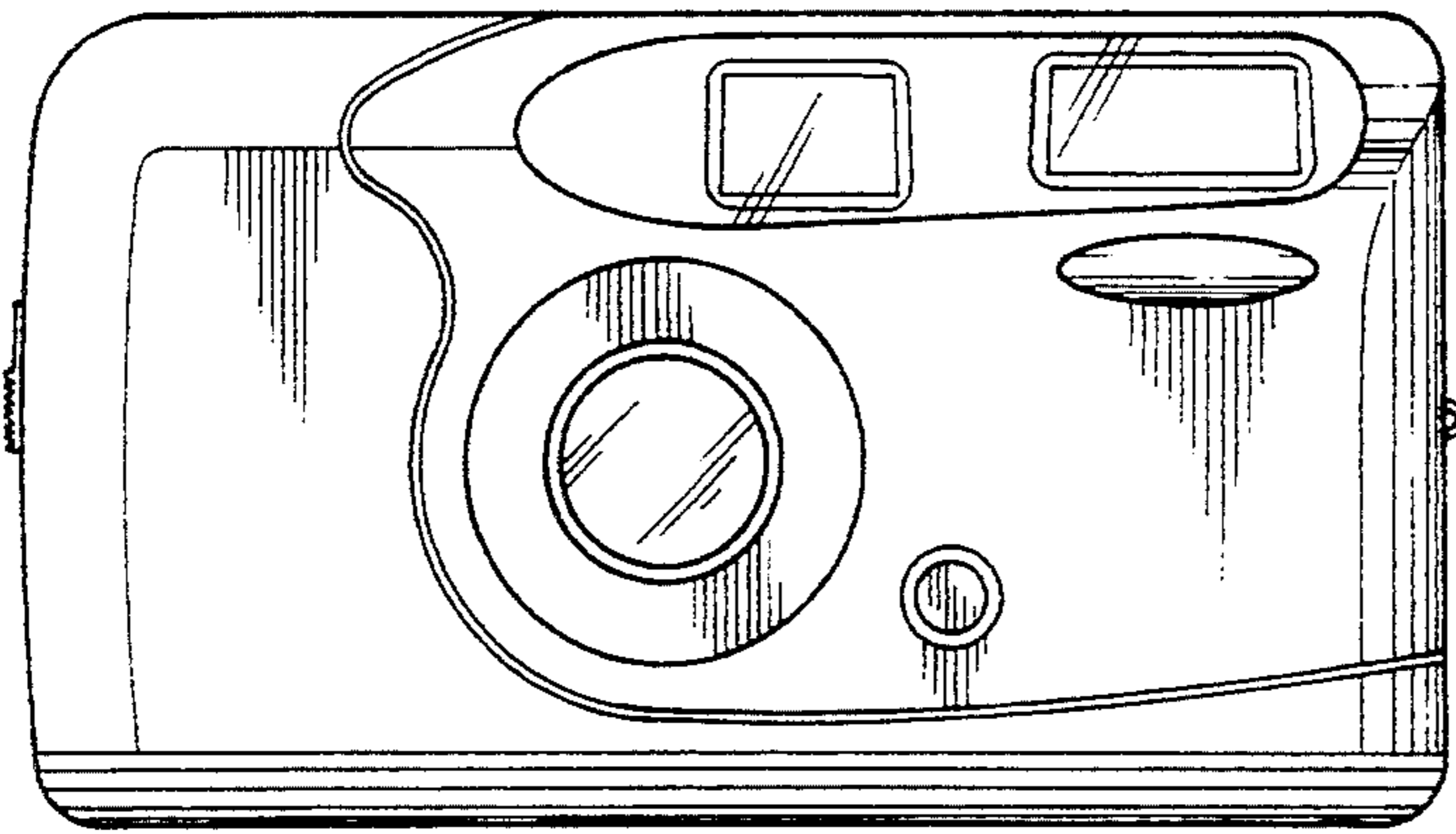


FIG. 1.

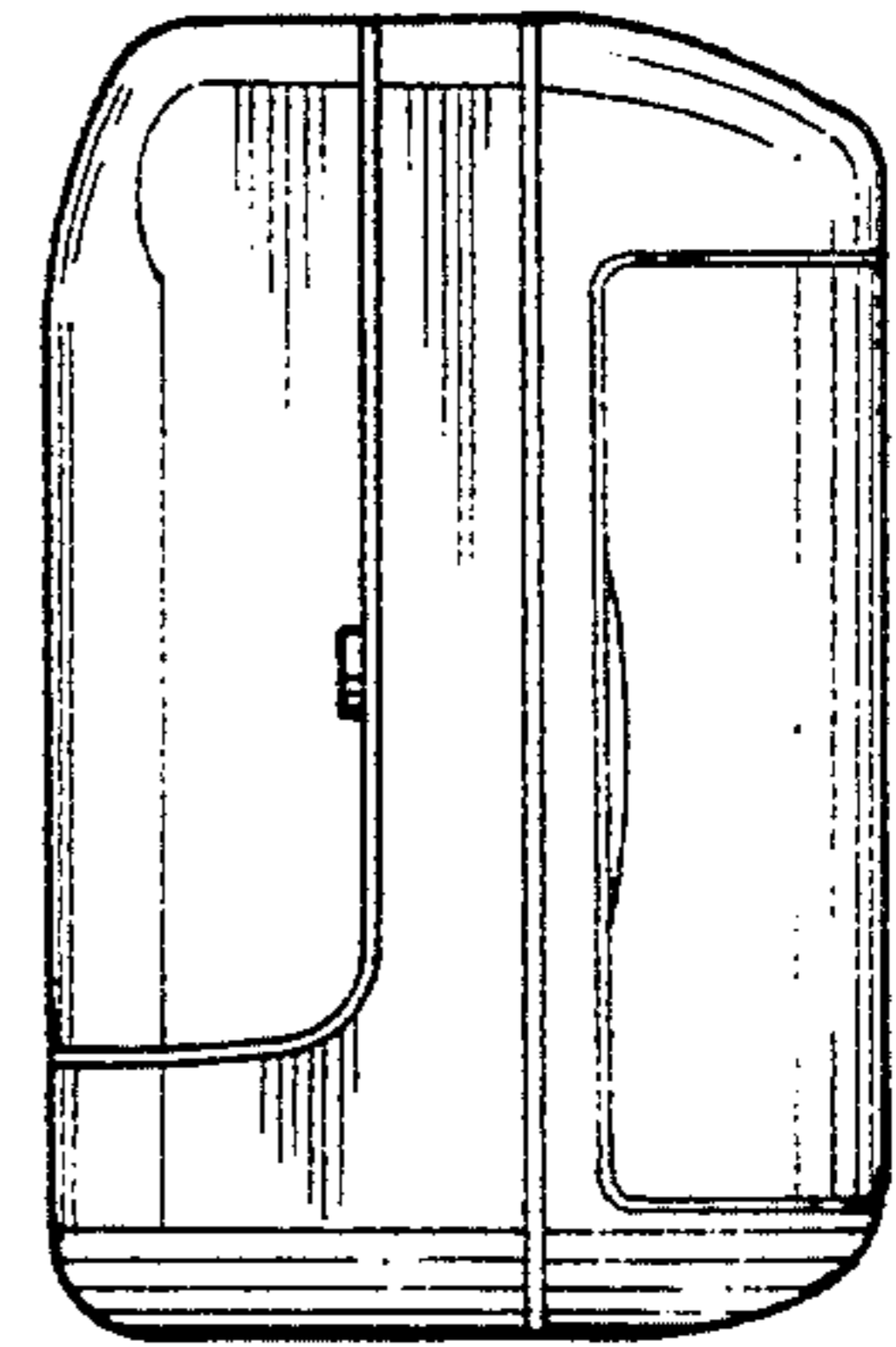


FIG. 4.

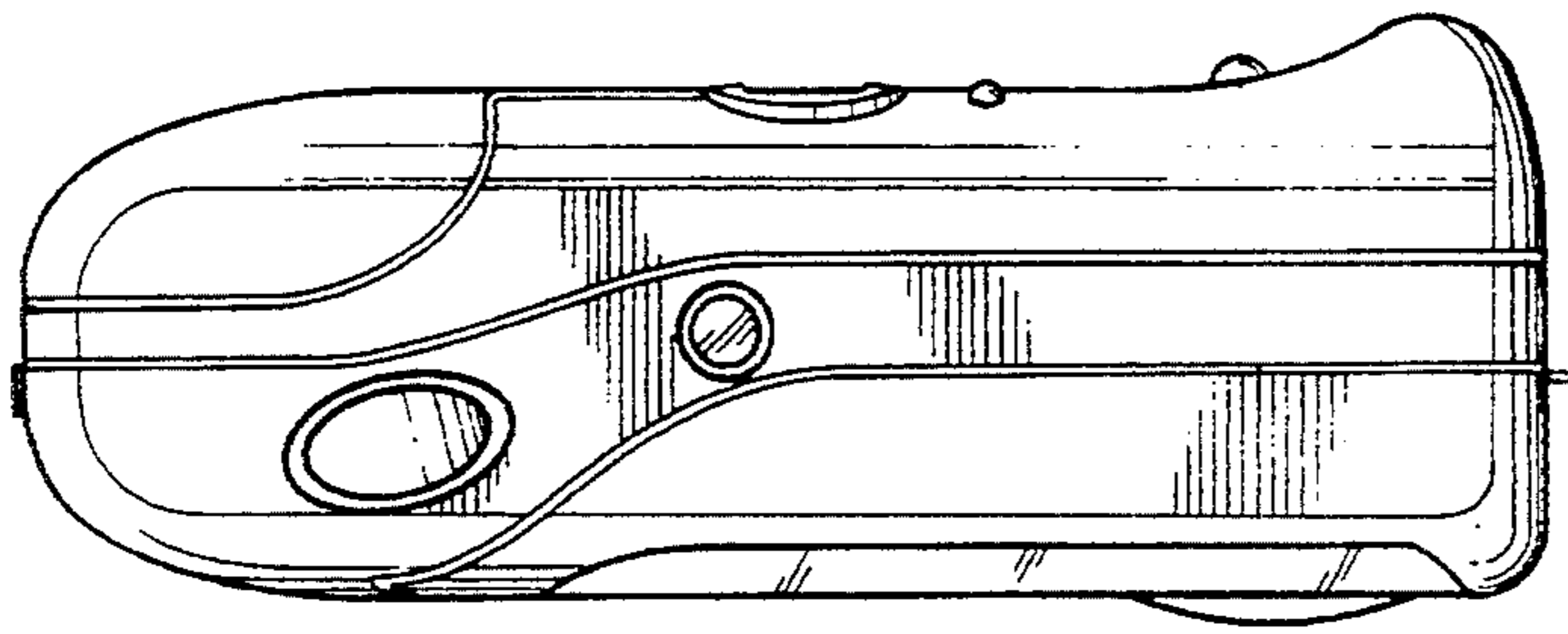


FIG. 2.

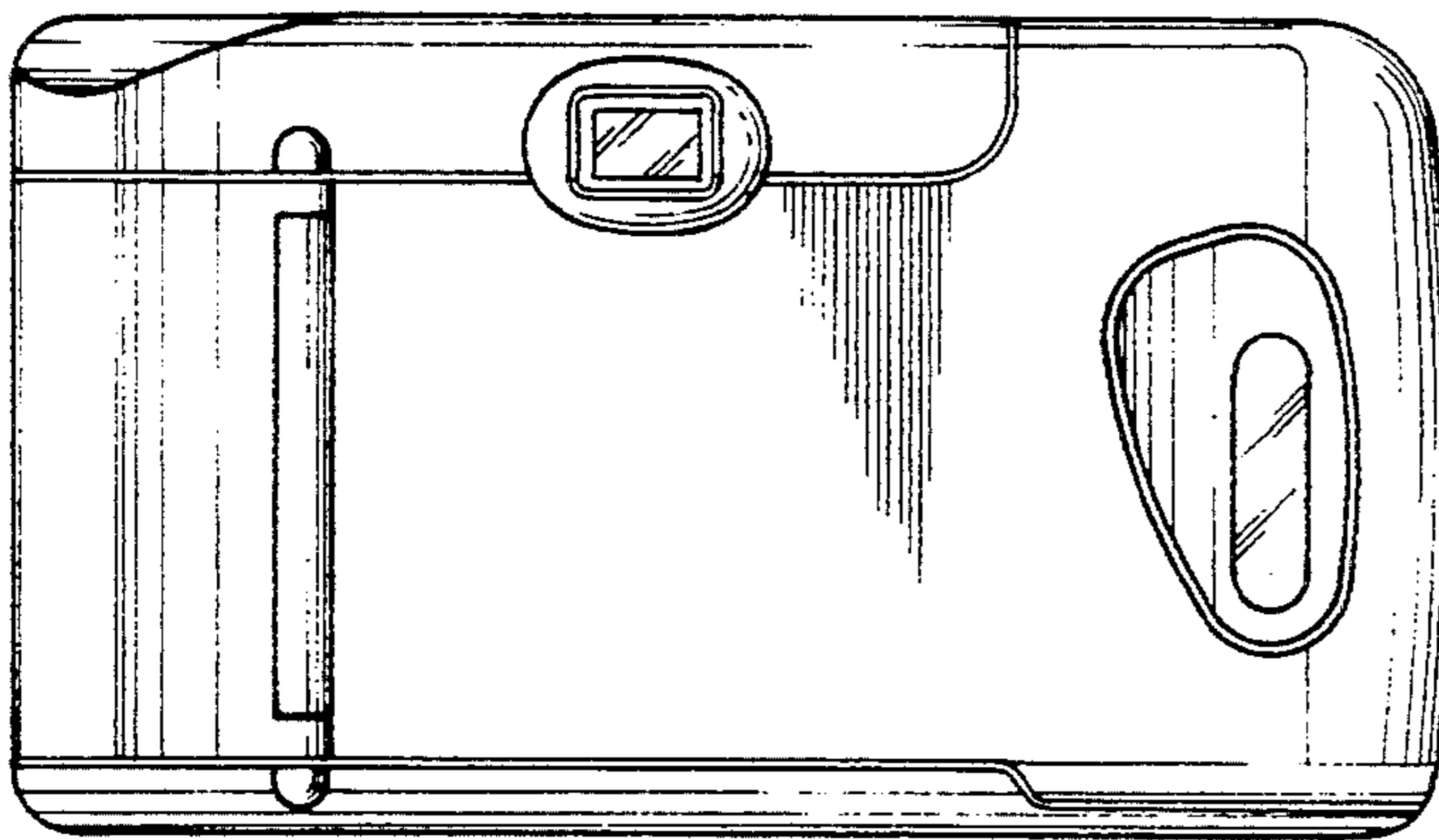


FIG. 5.

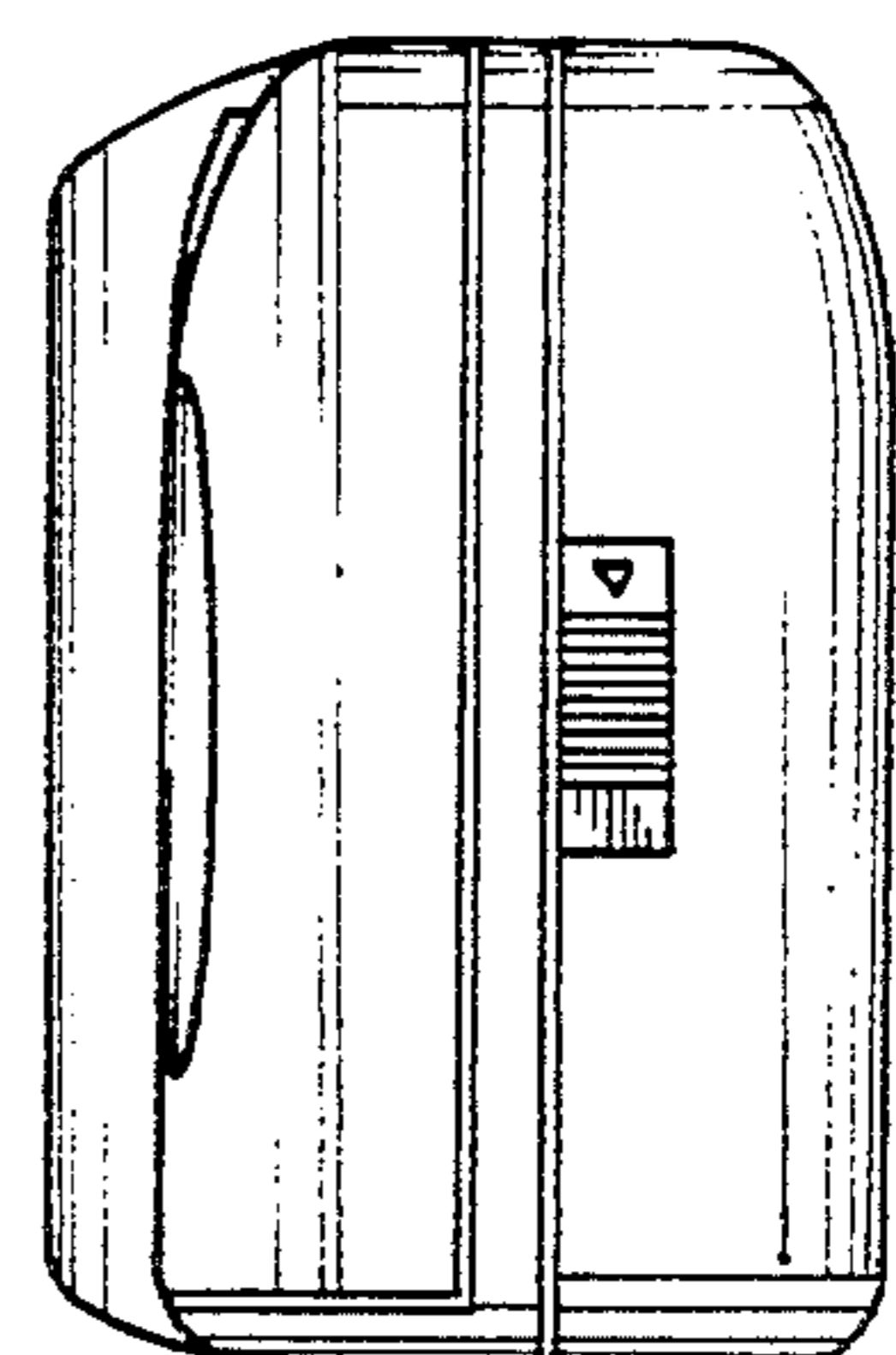


FIG. 3.

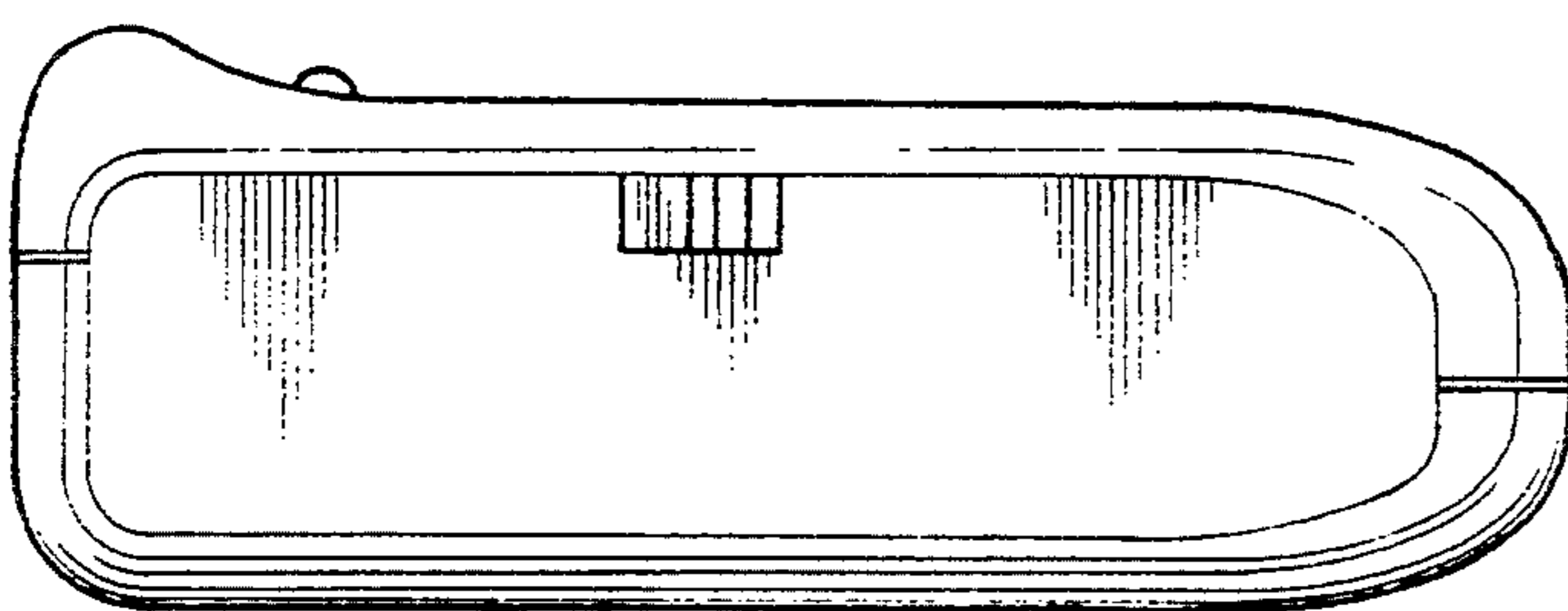


FIG. 6.