



US00D360216S

United States Patent [19]

[11] Patent Number: **Des. 360,216**

Norton

[45] Date of Patent: **** Jul. 11, 1995**

[54] COMBINED CAMERA AND A VIDEO TAPE RECORDER

[76] Inventor: **Scott Norton**, 905 Capitola Ave.,
Capitola, Calif. 95010

[**] Term: **14 Years**

[21] Appl. No.: **19,185**

[22] Filed: **Feb. 24, 1994**

[52] U.S. Cl. **D16/202**

[58] Field of Search **D16/200-206,**
D16/208; D21/110; 352/34, 242; 354/82, 288;
348/373-376; 358/906

[56] **References Cited**

U.S. PATENT DOCUMENTS

D. 337,598	7/1993	Ina et al.	D16/202
D. 337,778	7/1993	Matsumura	D16/202
D. 347,236	5/1994	Ooi et al.	D16/202
D. 347,851	6/1994	Kundrath	D16/202

OTHER PUBLICATIONS

Video Review, May 1988 p. 22 (Sony's BMC-1000K).

Primary Examiner—Terry A. Wallace
Assistant Examiner—Adir Aronovich
Attorney, Agent, or Firm—Terry M. Gernstein

[57] **CLAIM**

The ornamental design for a combined camera and video tape recorder, as shown and described.

DESCRIPTION

FIG. 1 is a front, top and side perspective view of the combined camera and a video tape recorder showing my new design;

FIG. 2 is a front elevational view thereof;

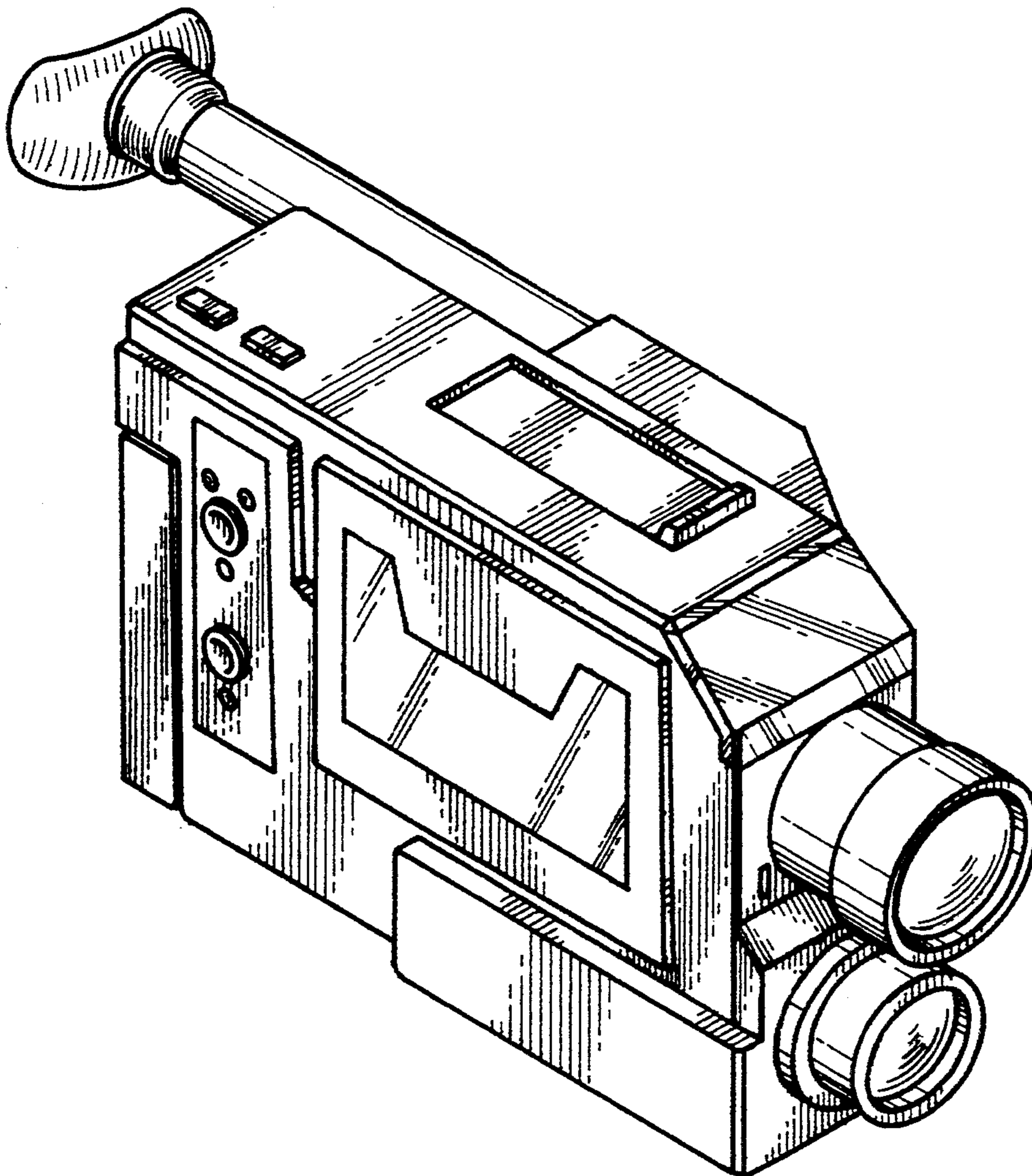
FIG. 3 is a rear elevational view thereof;

FIG. 4 is a side elevational view thereof;

FIG. 5 is a side elevational view opposite of that shown in FIG. 4;

FIG. 6 is a top plan view thereof;

FIG. 7 is a bottom plan view thereof.



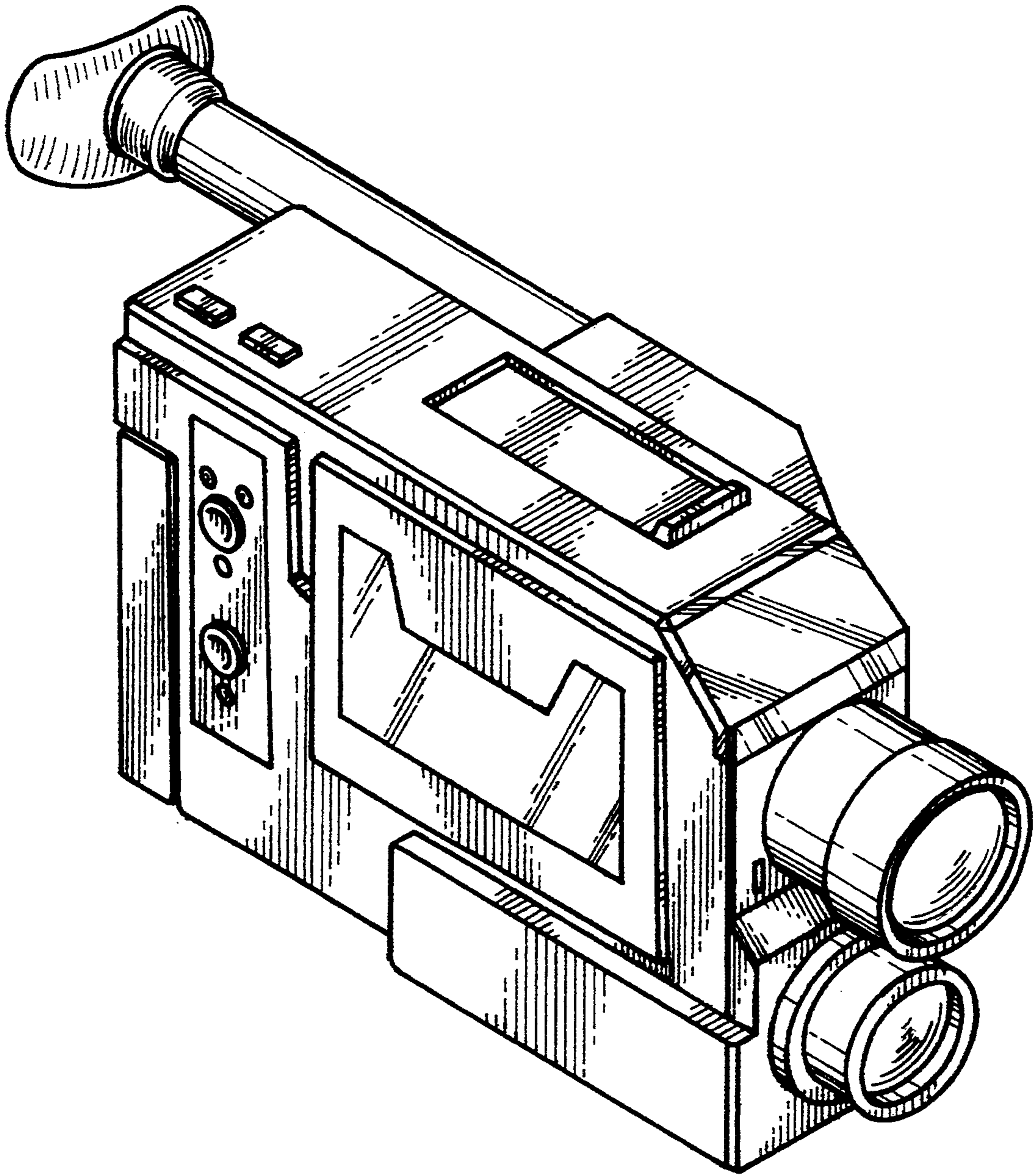


FIG. 1

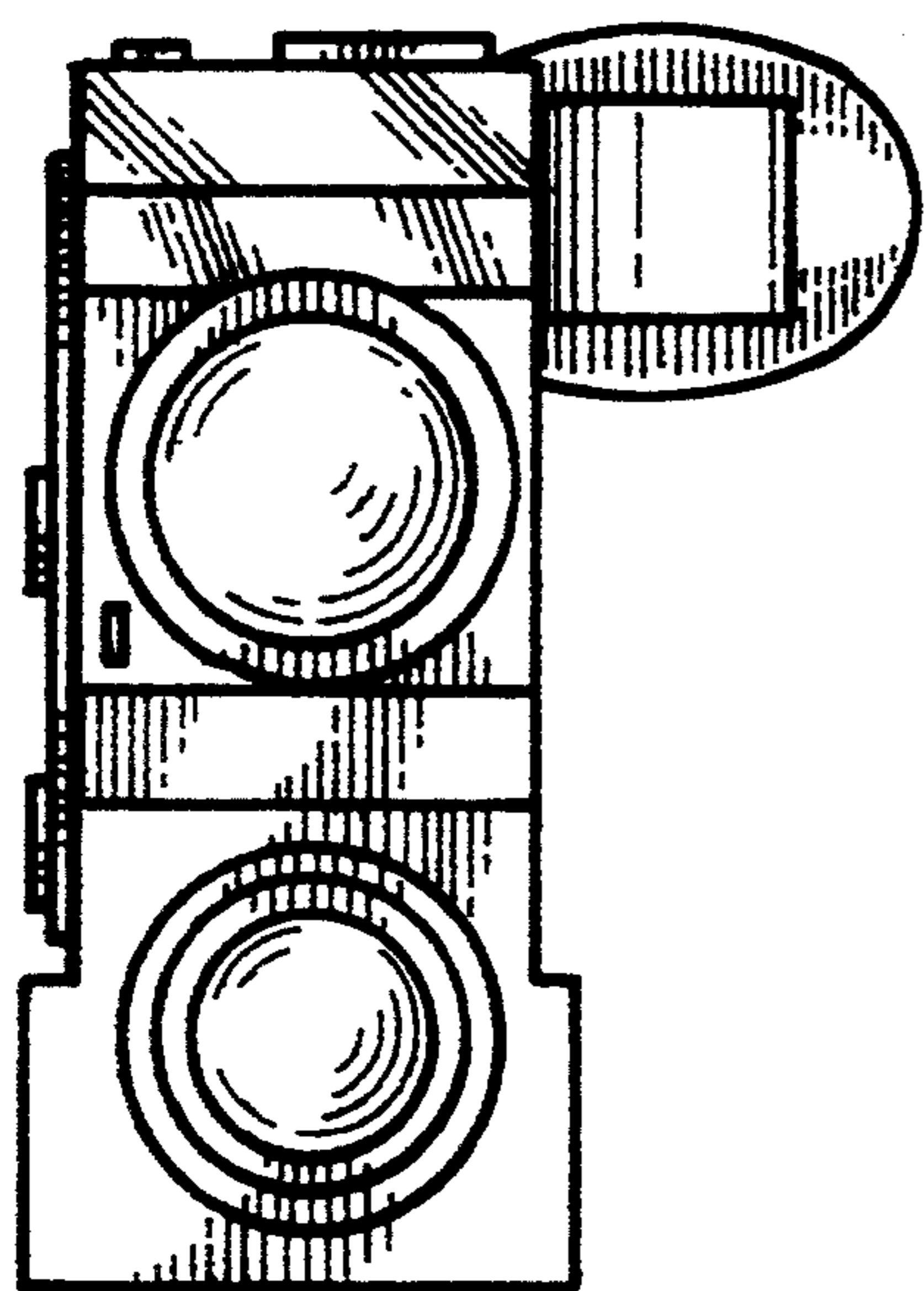


FIG. 2

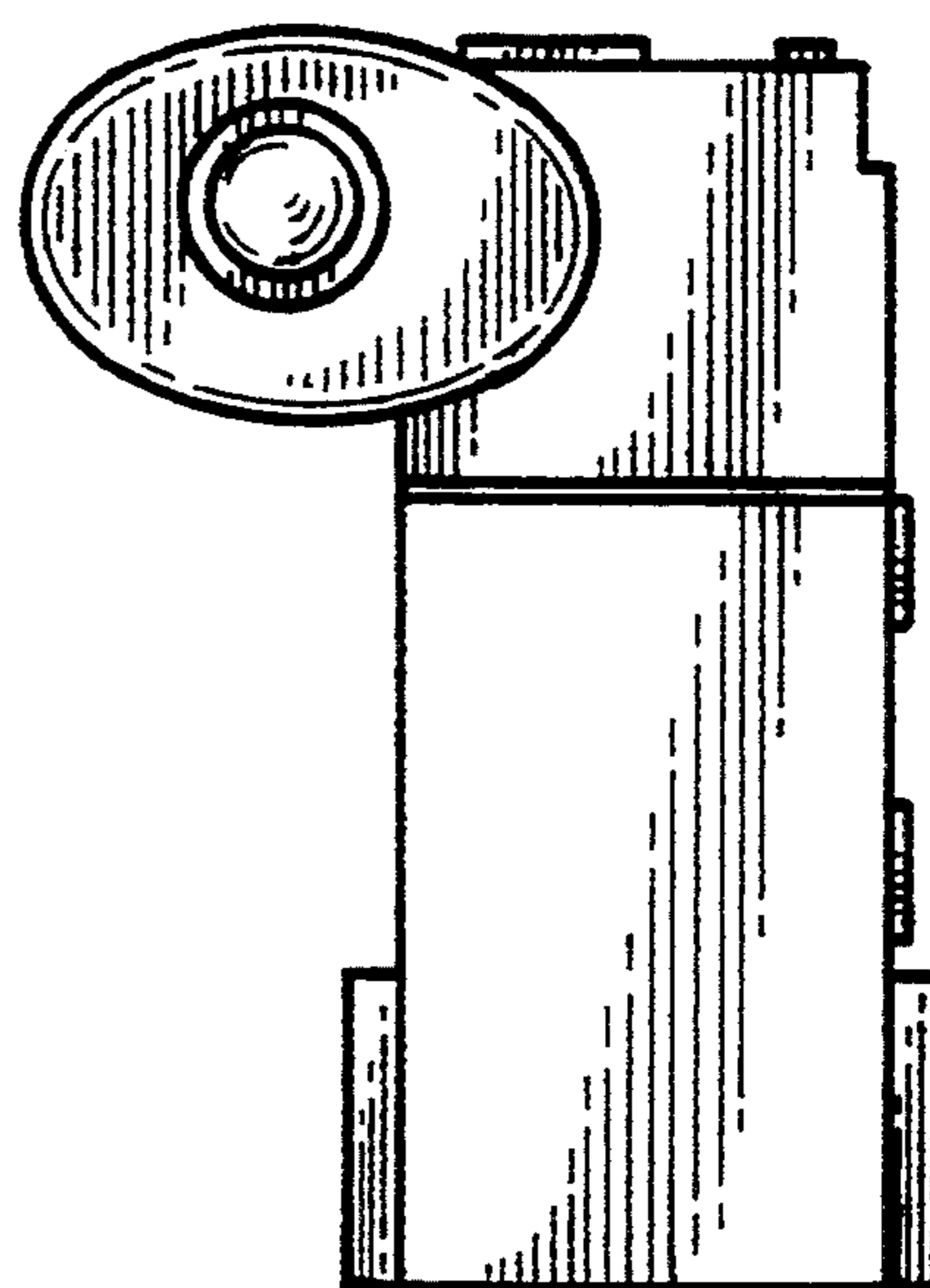


FIG. 3

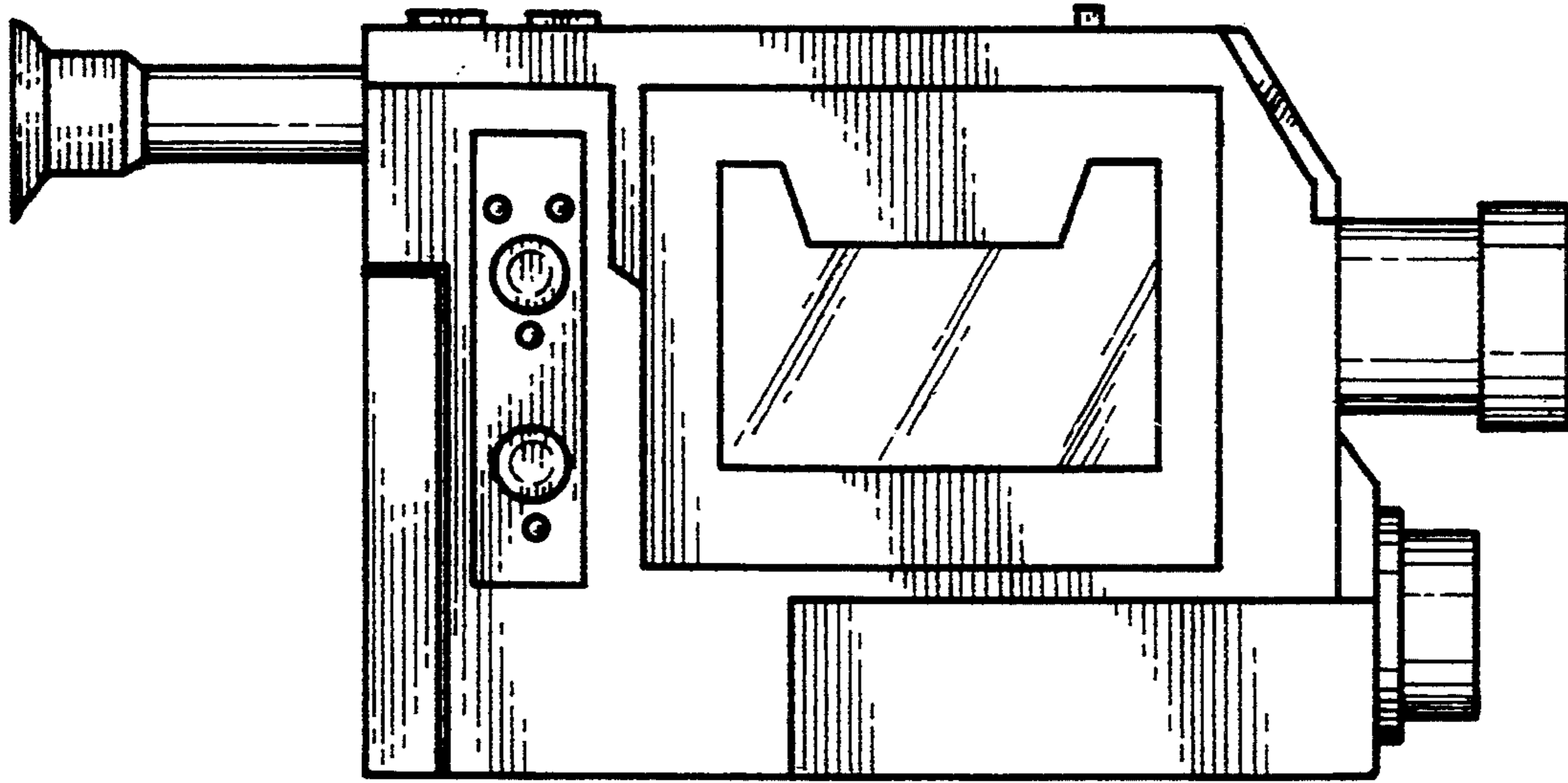


FIG. 4

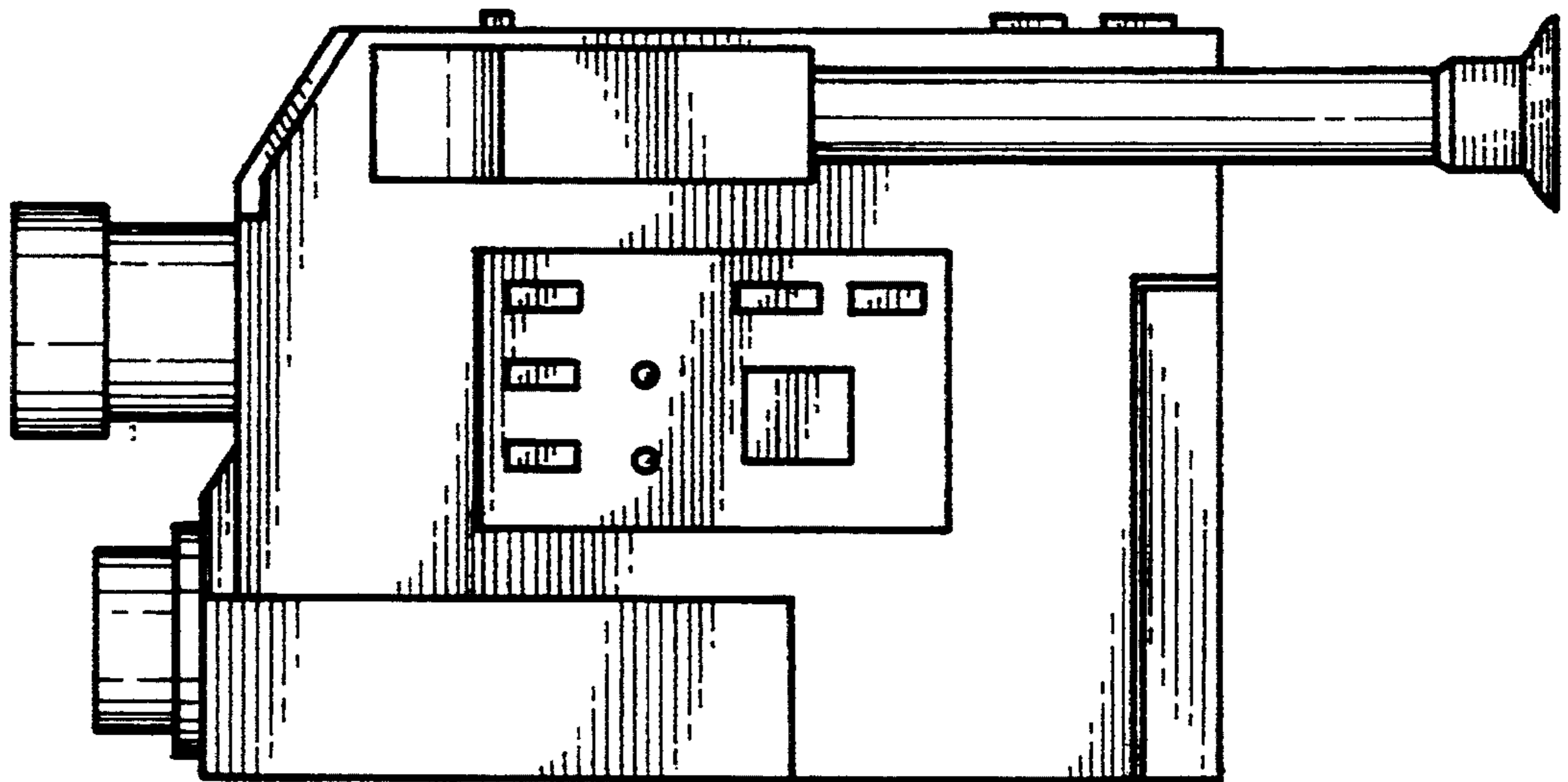


FIG. 5

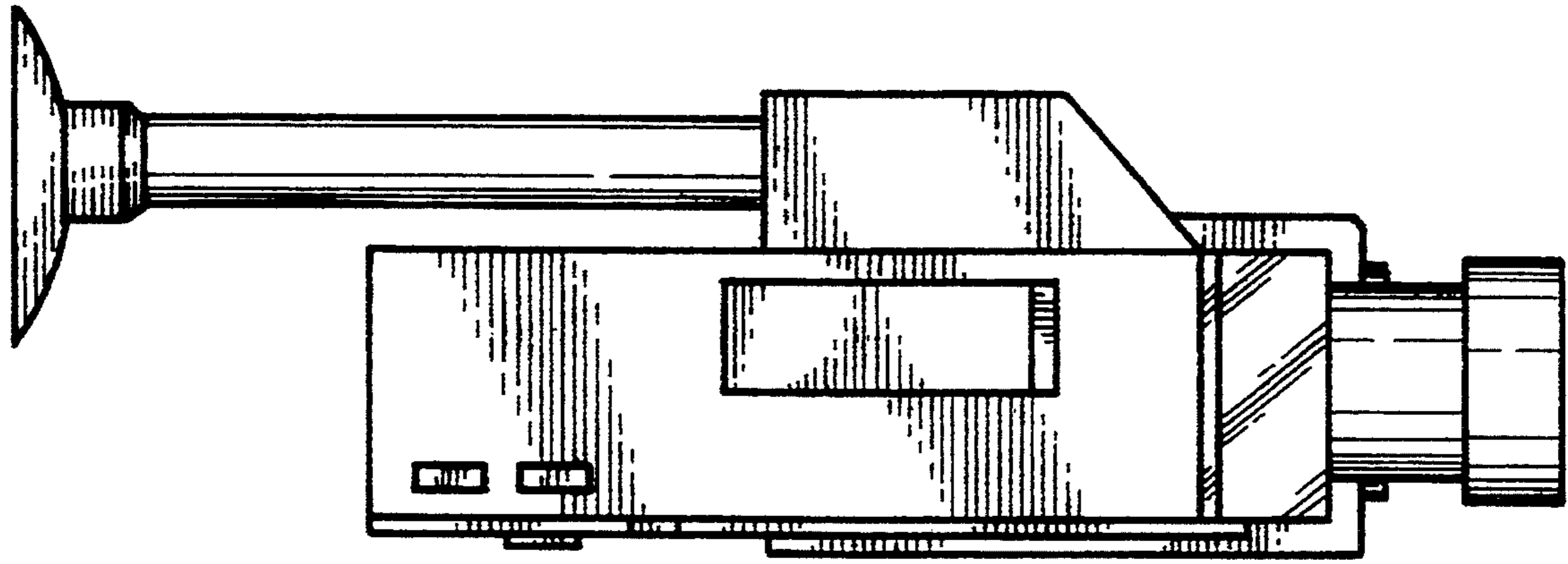


FIG. 6

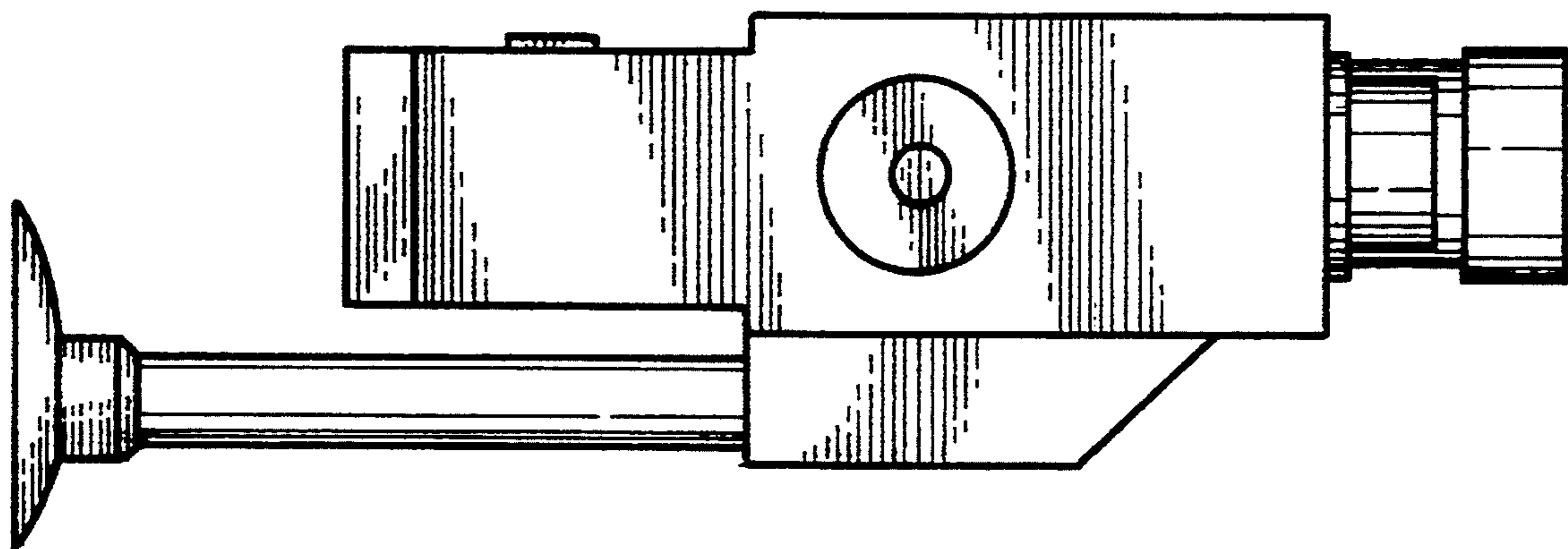


FIG. 7