



US00D360214S

**United States Patent** [19]  
**Loudon**

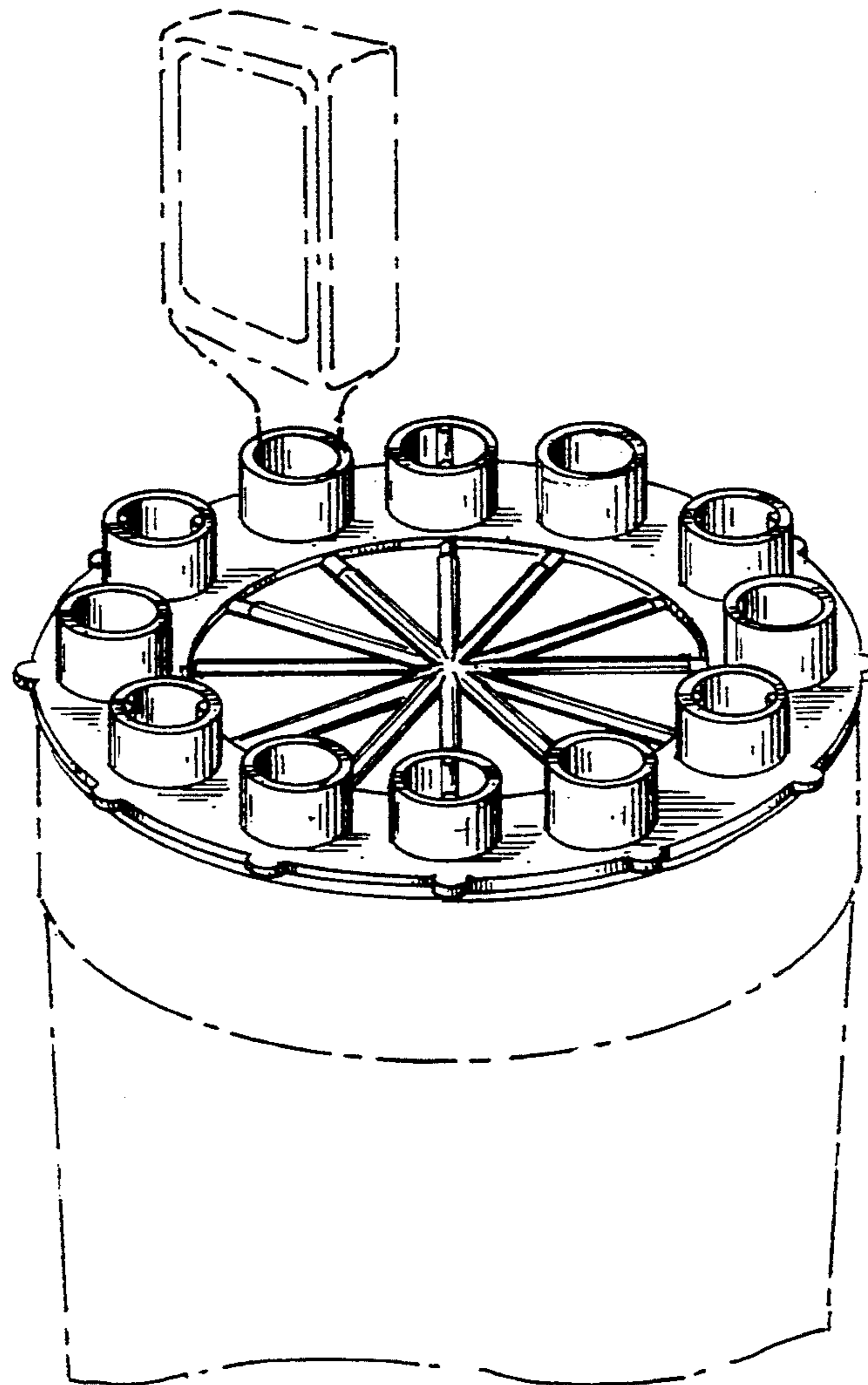
[11] **Patent Number: Des. 360,214**  
[45] **Date of Patent: \*\* Jul. 11, 1995**

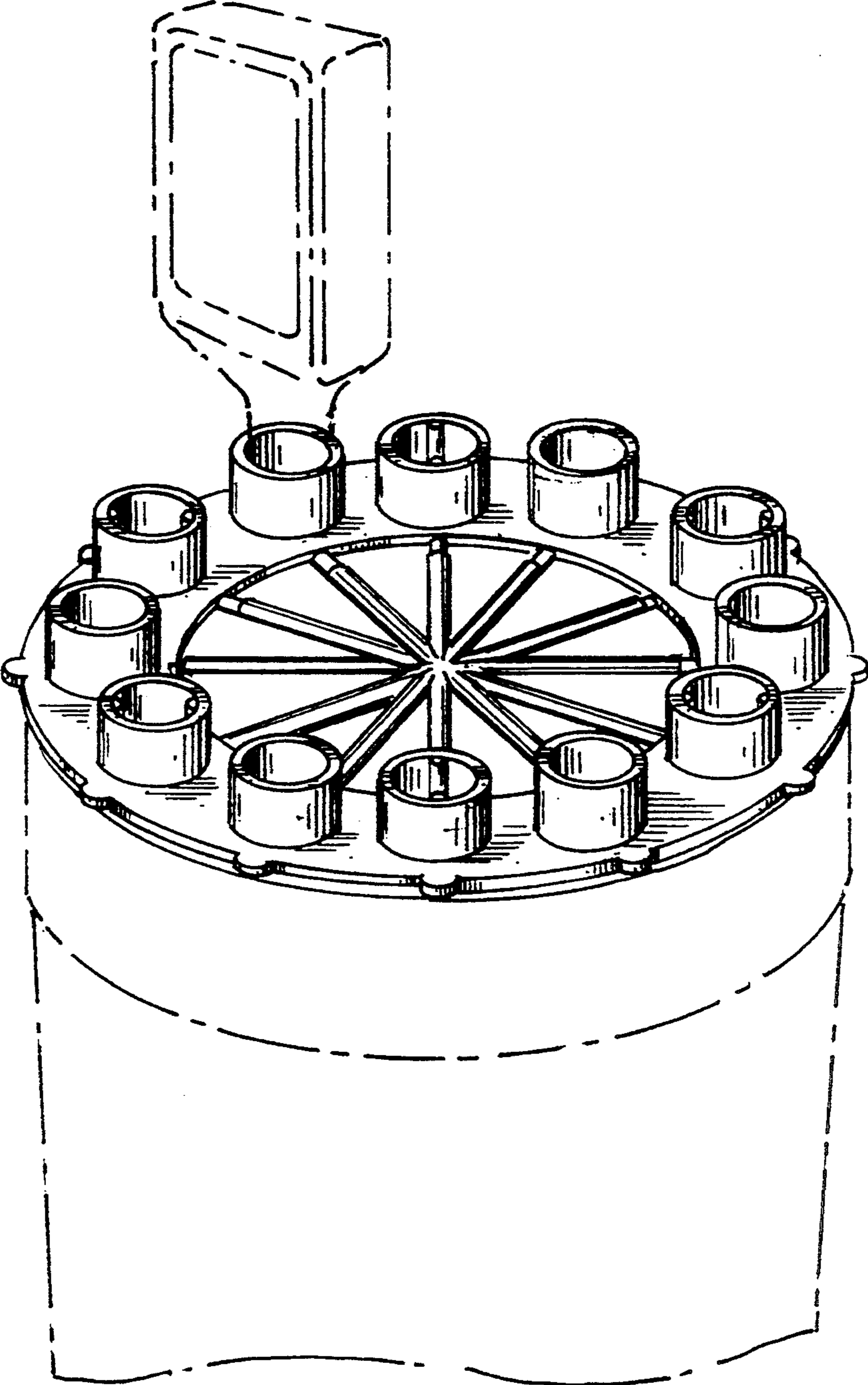
- [54] **OIL CONTAINER SUPPORT AND RECOVERY DEVICE**
- [75] Inventor: **Robert A. Loudon**, Minnetonka, Minn.
- [73] Assignee: **STI Plastics, Inc.**, St. Bonifacius, Minn.
- [\*\*] Term: **14 Years**
- [21] Appl. No.: **24,789**
- [22] Filed: **Jun. 21, 1994**
- [52] U.S. Cl. .... **D15/150; D7/701**
- [58] Field of Search ..... **D7/501, 611, 700, 701, D7/704; D15/147, 138, 150, 151, 152, 199; D23/209; D22/115, 116, 108, 110; D19/69; 144/31, 98, 99, 100, 105, 106, 285, 297-300, 369-372, 375, 384, 391; 248/94**

- [56] **References Cited**  
**U.S. PATENT DOCUMENTS**
- D. 337,774 7/1993 Schillinger ..... D15/150
- D. 341,150 11/1993 Seegmiller ..... D15/150
- 4,733,680 3/1988 Mosier ..... 141/31
- 4,875,601 10/1989 Roberts et al. .... 141/100 X
- 5,325,898 7/1994 Forgnone ..... 141/106
- Primary Examiner*—Antoine Duval Davis
- Attorney, Agent, or Firm*—Palmatier, Sjoquist & Helget

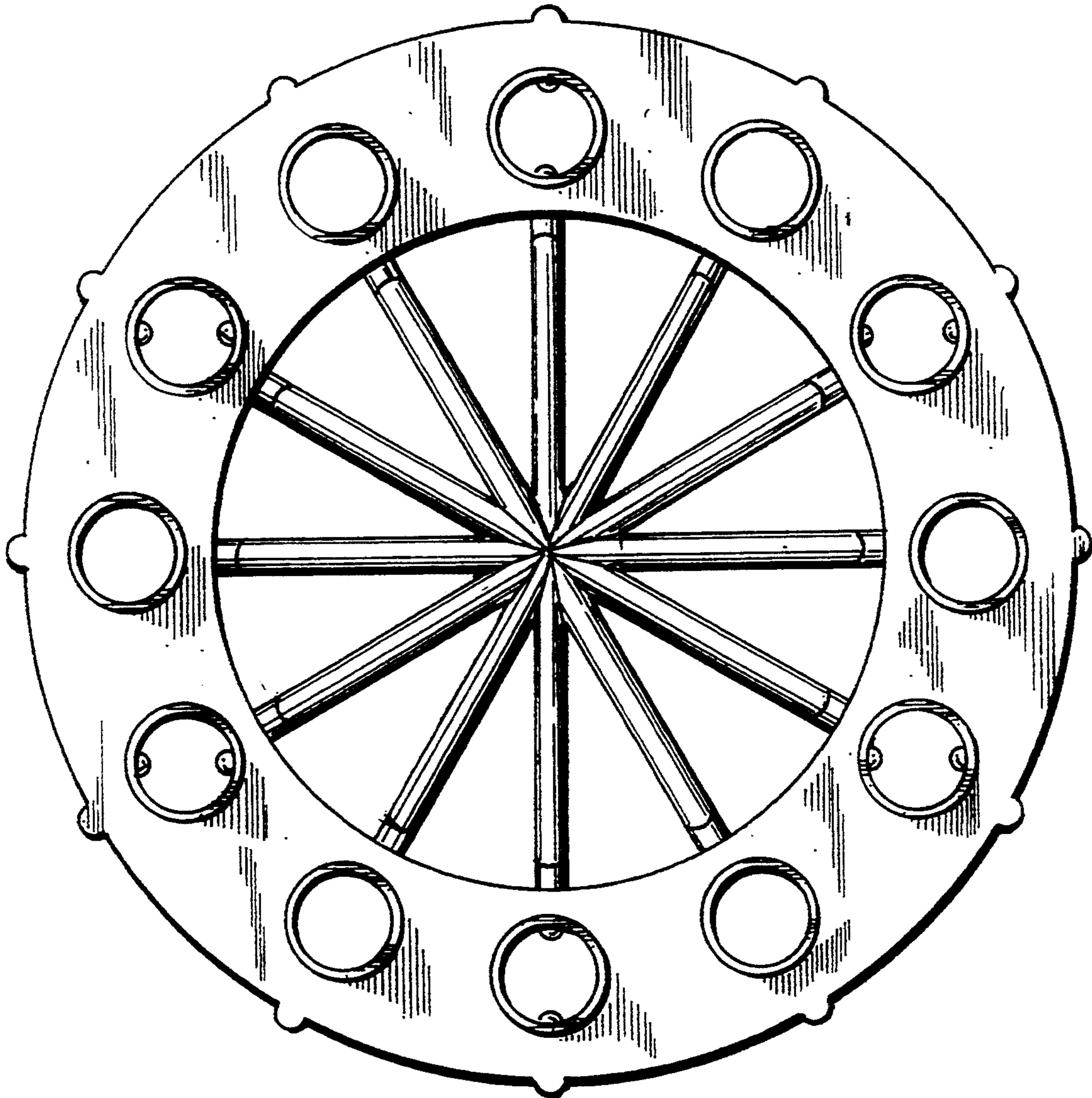
[57] **CLAIM**  
The ornamental design for an oil container support and recovery device, as shown and described.

**DESCRIPTION**  
FIG. 1 is a perspective view of an oil container support and recovery device showing an oil container and collection reservoir below in phantom outline to show environment only;  
FIG. 2 is a top plan view;  
FIG. 3 is a side elevational view; and,  
FIG. 4 is a bottom plan view.





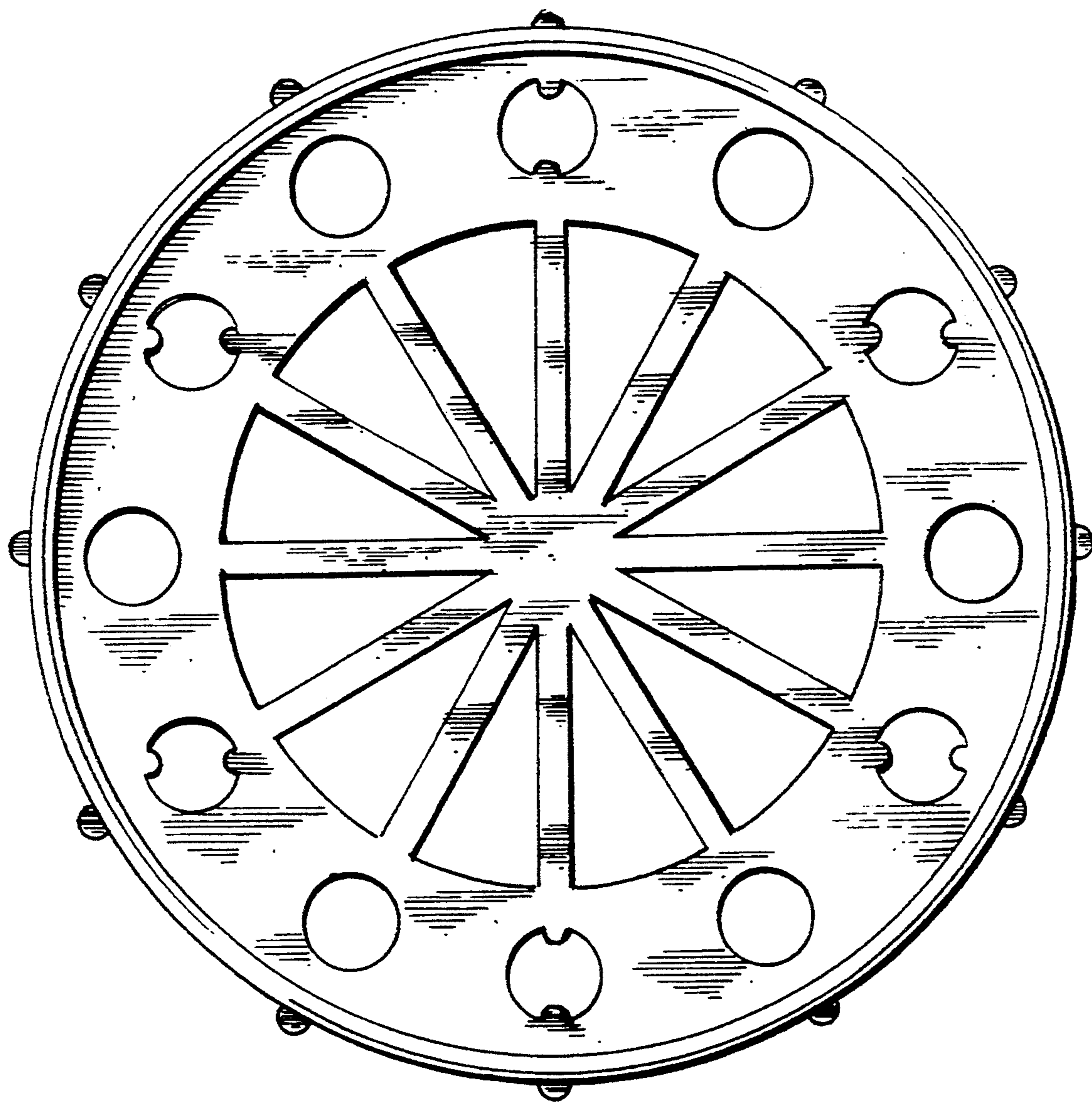
*Fig. 1.*



*Fig. 2.*



*Fig. 3.*



*Fig. 4.*