



US00D360213S

United States Patent [19] Gonzalez

[11] Patent Number: **Des. 360,213**
[45] Date of Patent: **** Jul. 11, 1995**

[54] CAN CRUSHER
[76] Inventor: **Marco B. Gonzalez**, 541 N. 7th St.,
Montebello, Calif. 90640
[**] Term: **14 Years**
[21] Appl. No.: **25,031**
[22] Filed: **Jun. 27, 1994**
[52] U.S. Cl. **D15/123**
[58] Field of Search **D15/123; 100/278, 233,**
100/266, 245, 295, 902

5,293,816 3/1994 Musumeci, Sr. et al. 100/902 X

Primary Examiner—Antoine Duval Davis
Attorney, Agent, or Firm—Edgar W. Averill, Jr.

[57] CLAIM

The ornamental design for a can crusher, as shown and described.

DESCRIPTION

FIG. 1 is a top view of the can crusher of the present invention;
FIG. 2 is a front view thereof showing two identical hinged parts of the can crusher of FIG. 1;
FIG. 3 is a back view thereof;
FIG. 4 is a right side view thereof;
FIG. 5 is a left side view thereof;
FIG. 6 is a perspective view showing the can crusher in an opened configuration;
FIG. 7 is a partial top view of one of the two identical halves taken along line 7—7 of FIG. 6.

[56] References Cited

U.S. PATENT DOCUMENTS

D. 268,761	4/1983	Brown	D15/123
D. 342,077	12/1993	Griffin	D15/123
4,442,768	4/1984	Bailey	100/902 X
4,459,905	7/1984	Wilson	100/902 X
5,265,530	11/1993	Perhacs et al.	100/902 X

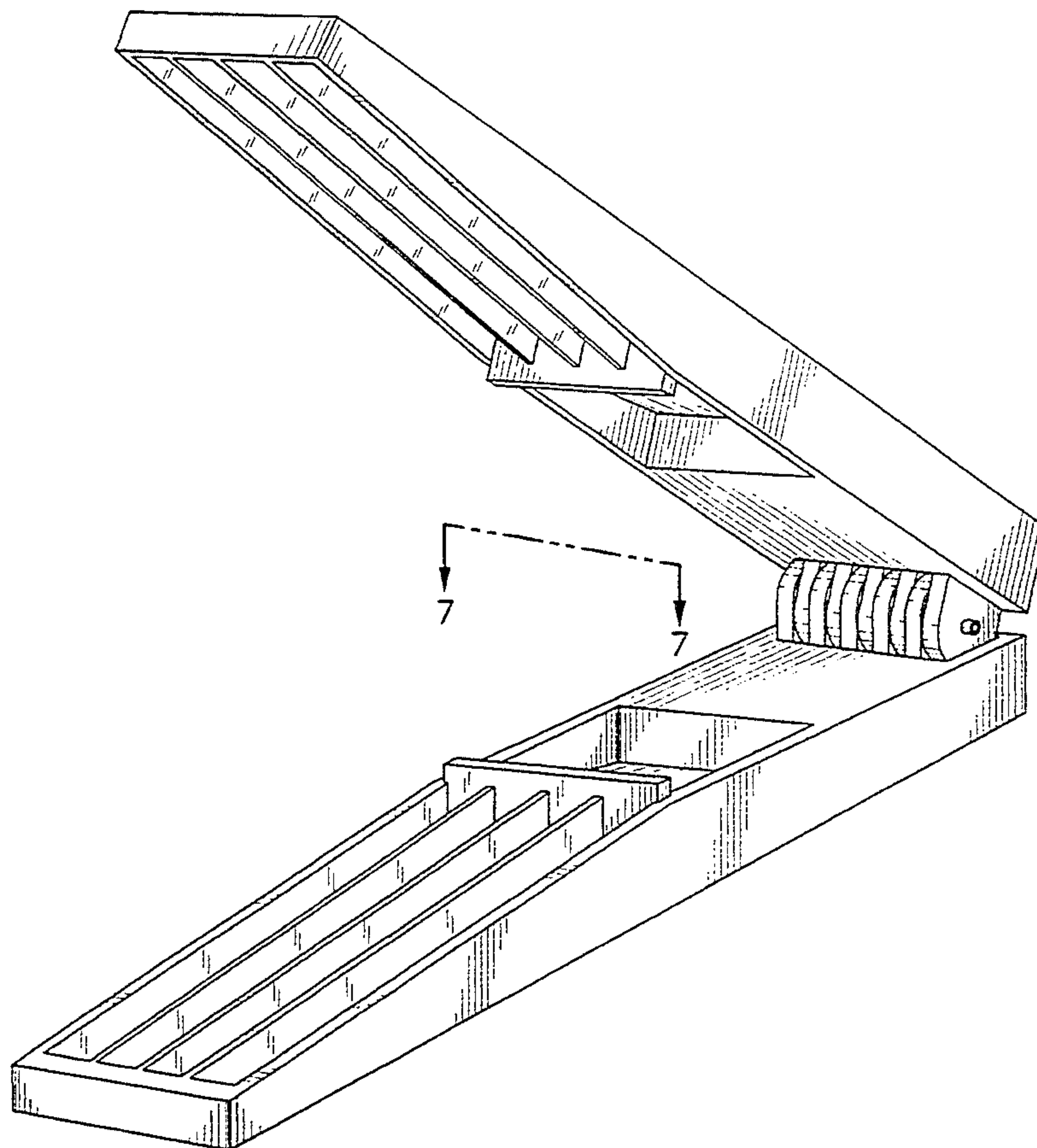
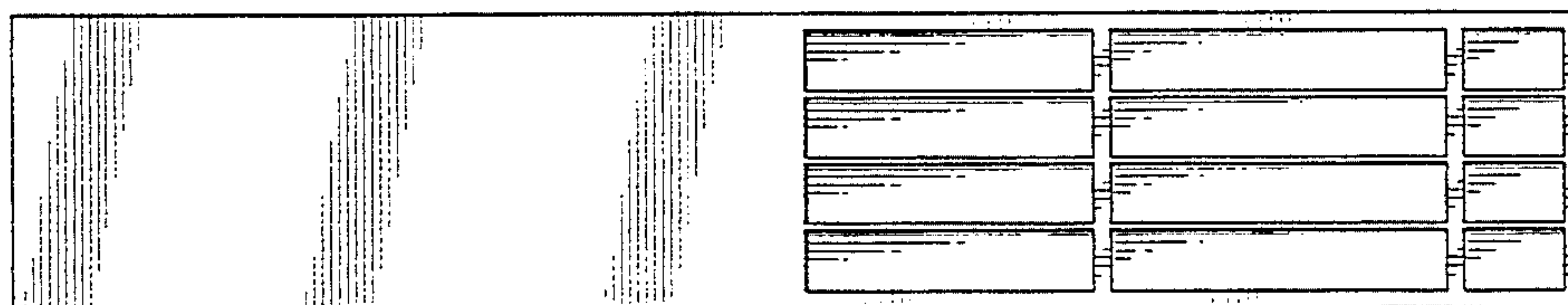


Fig. 1

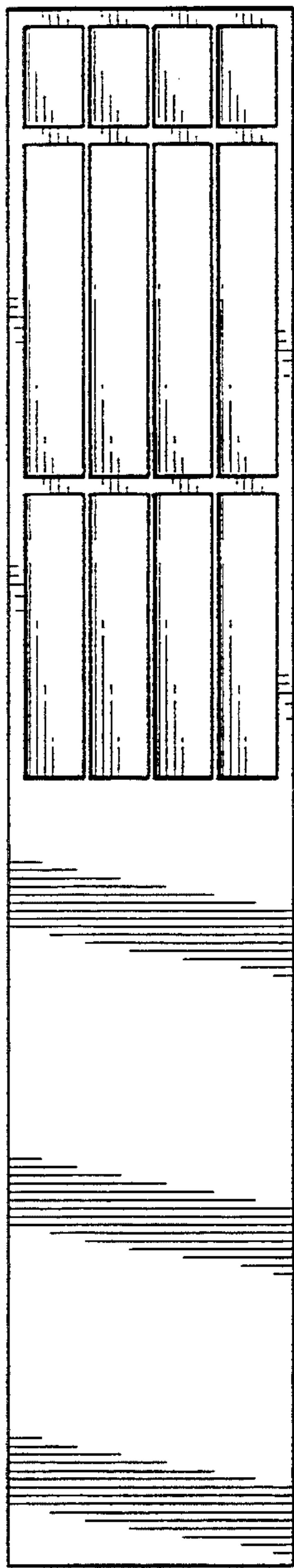


Fig. 4

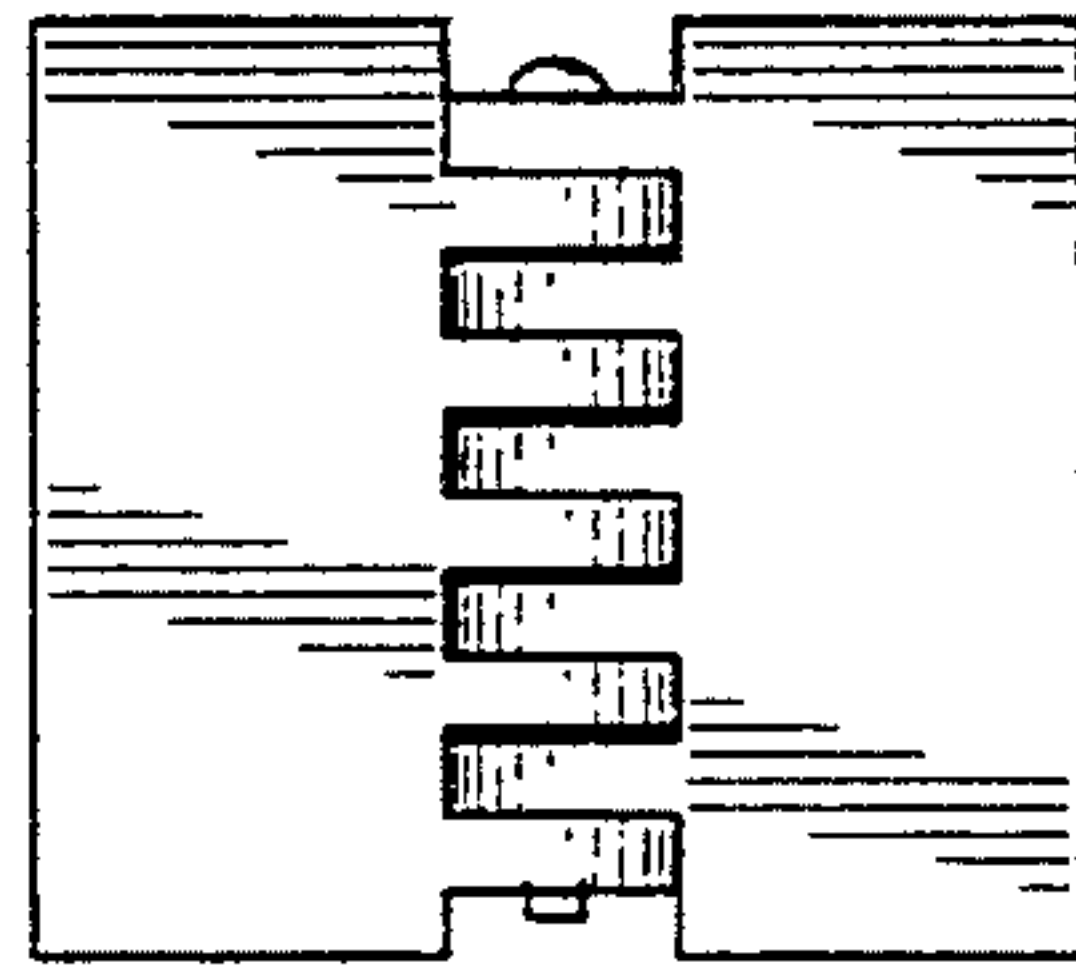


Fig. 5

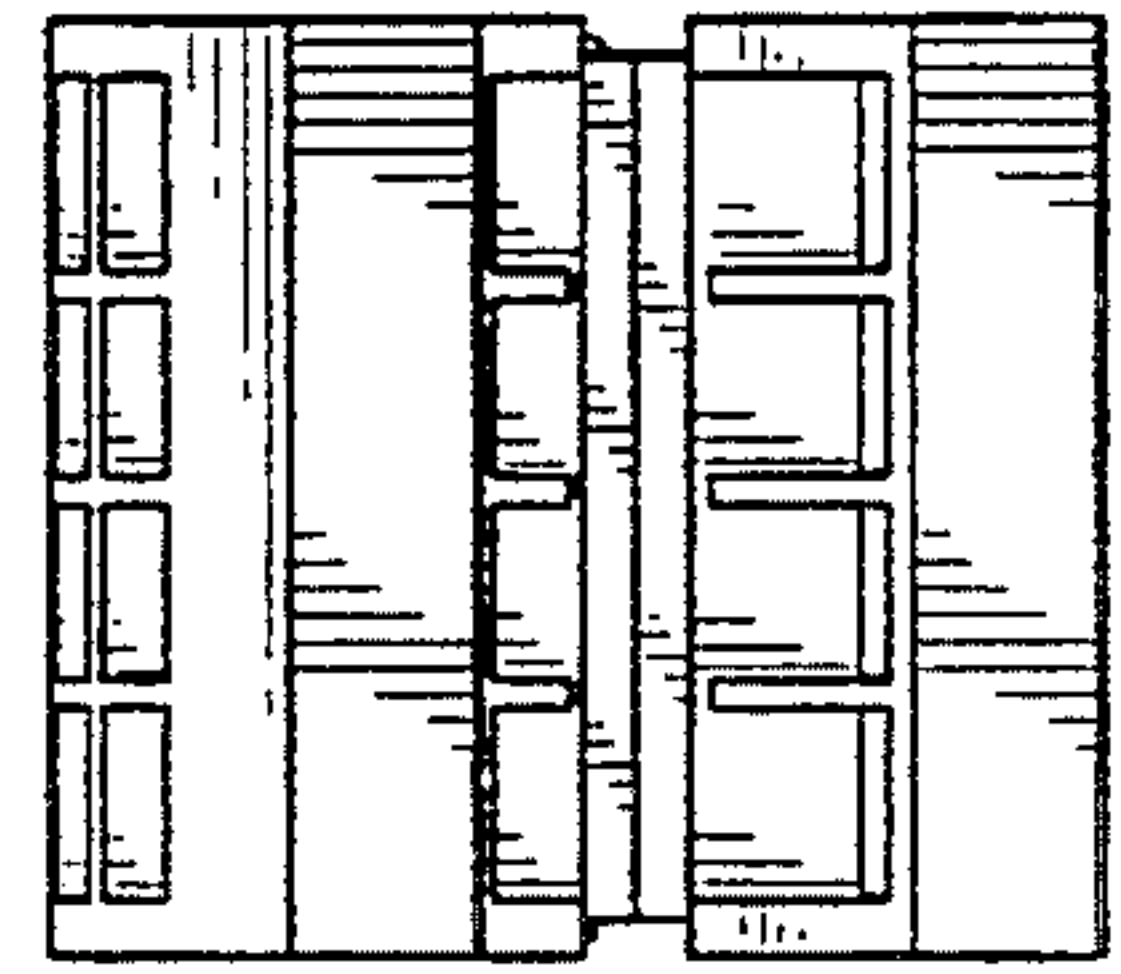


Fig. 2

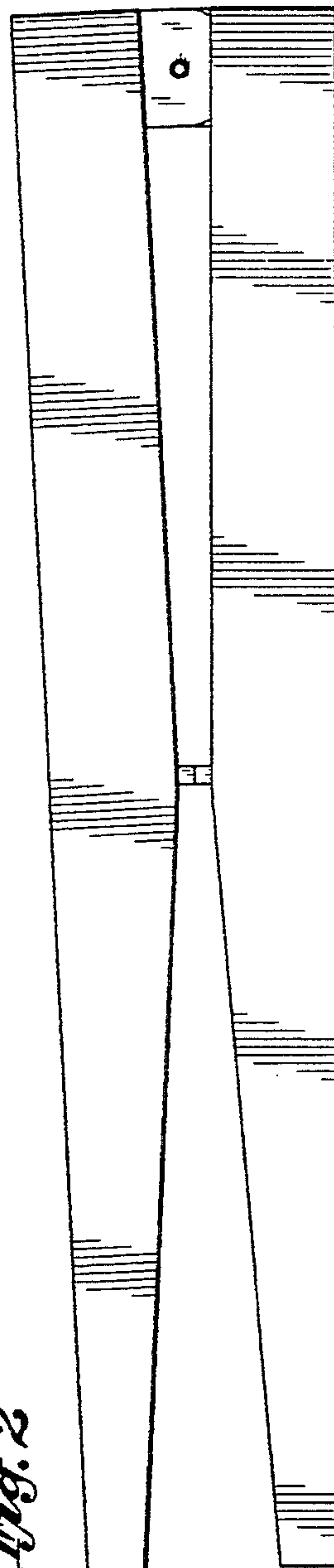
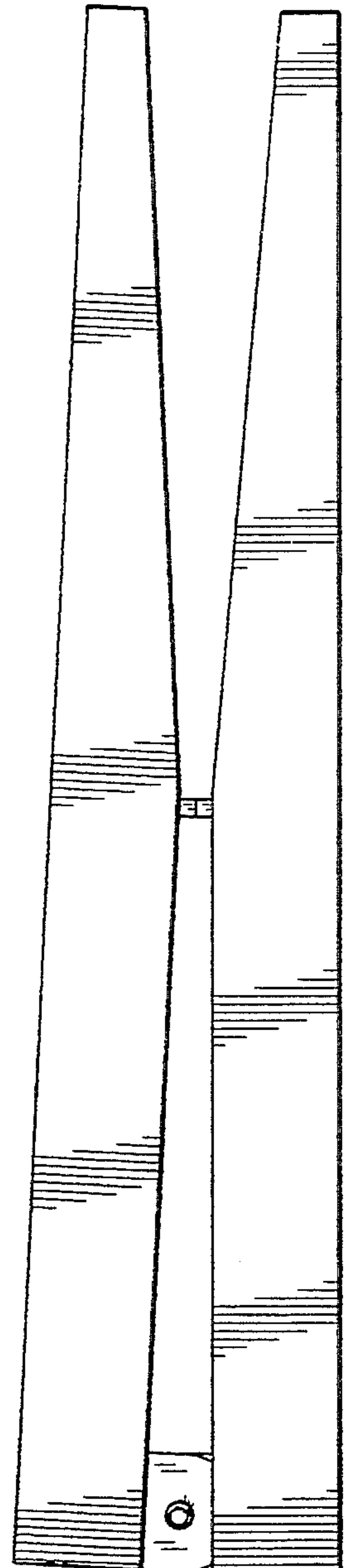


Fig. 3



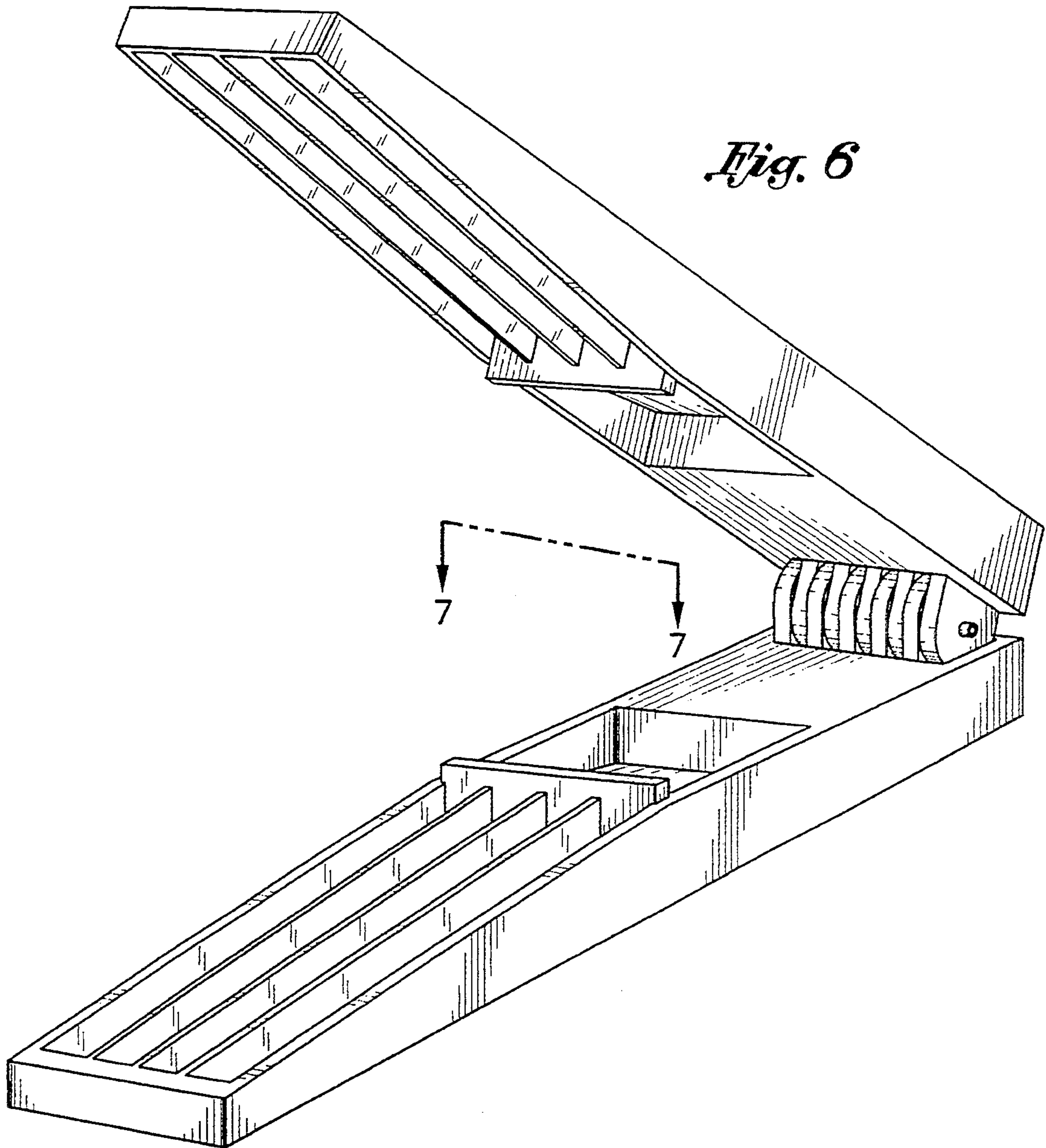


Fig. 7

