



US00D360212S

# United States Patent [19] Zanini

[11] Patent Number: **Des. 360,212**

[45] Date of Patent: **\*\* Jul. 11, 1995**

[54] **DEVICE FOR CRUSHING METAL CANS**

5,174,199 12/1992 King et al. .... 100/902 X  
5,257,576 11/1993 Pearce et al. .... 100/902 X

[75] Inventor: **Marco Zanini, Milan, Italy**

*Primary Examiner*—Antoine Duval Davis  
*Attorney, Agent, or Firm*—Welsh & Katz, Ltd.

[73] Assignee: **Promar Limited, Liechtenstein**

[\*\*] Term: **14 Years**

[57] **CLAIM**

[21] Appl. No.: **23,882**

The ornamental design for a device for crushing metal cans, as shown and described.

[22] Filed: **Jun. 2, 1994**

[52] U.S. Cl. .... **D15/123**

**DESCRIPTION**

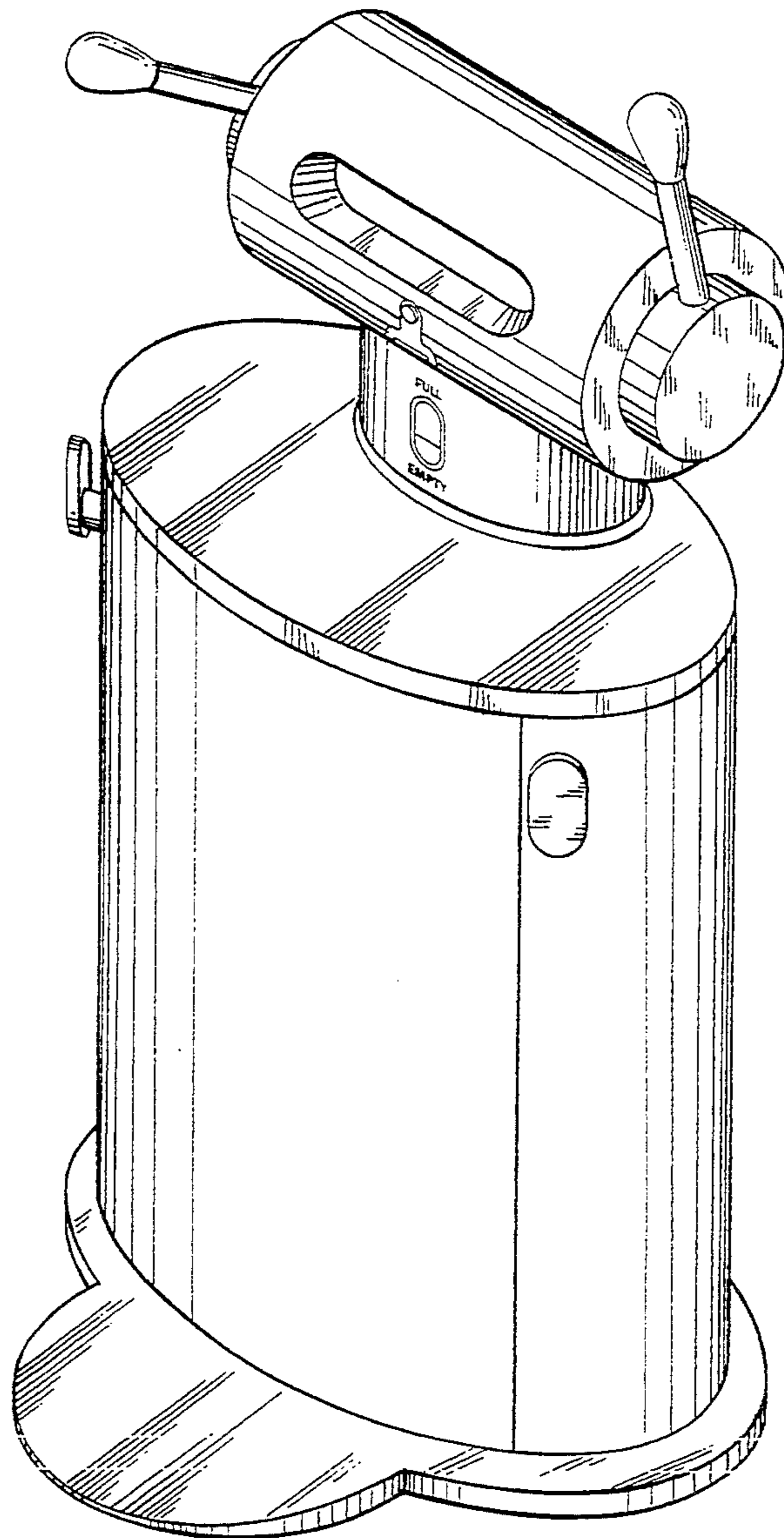
[58] Field of Search ..... D15/123; 100/48, 53,  
100/116, 131, 136, 245, 246, 269 R, 902, 295

FIG. 1 is a perspective view of a device for crushing metal cans embodying the subject design;  
FIG. 2 is a front elevation view thereof;  
FIG. 3 is a rear elevation view thereof;  
FIG. 4 is a left-side elevation view thereof;  
FIG. 5 is a right-side elevation view thereof;  
FIG. 6 is a top-plan view thereof; and,  
FIG. 7 is a bottom-plan view thereof.

[56] **References Cited**

**U.S. PATENT DOCUMENTS**

- D. 280,327 8/1985 Wilson ..... D15/123
- D. 327,892 7/1992 Casey ..... D15/123
- 5,088,526 2/1992 Nash ..... 100/902 X



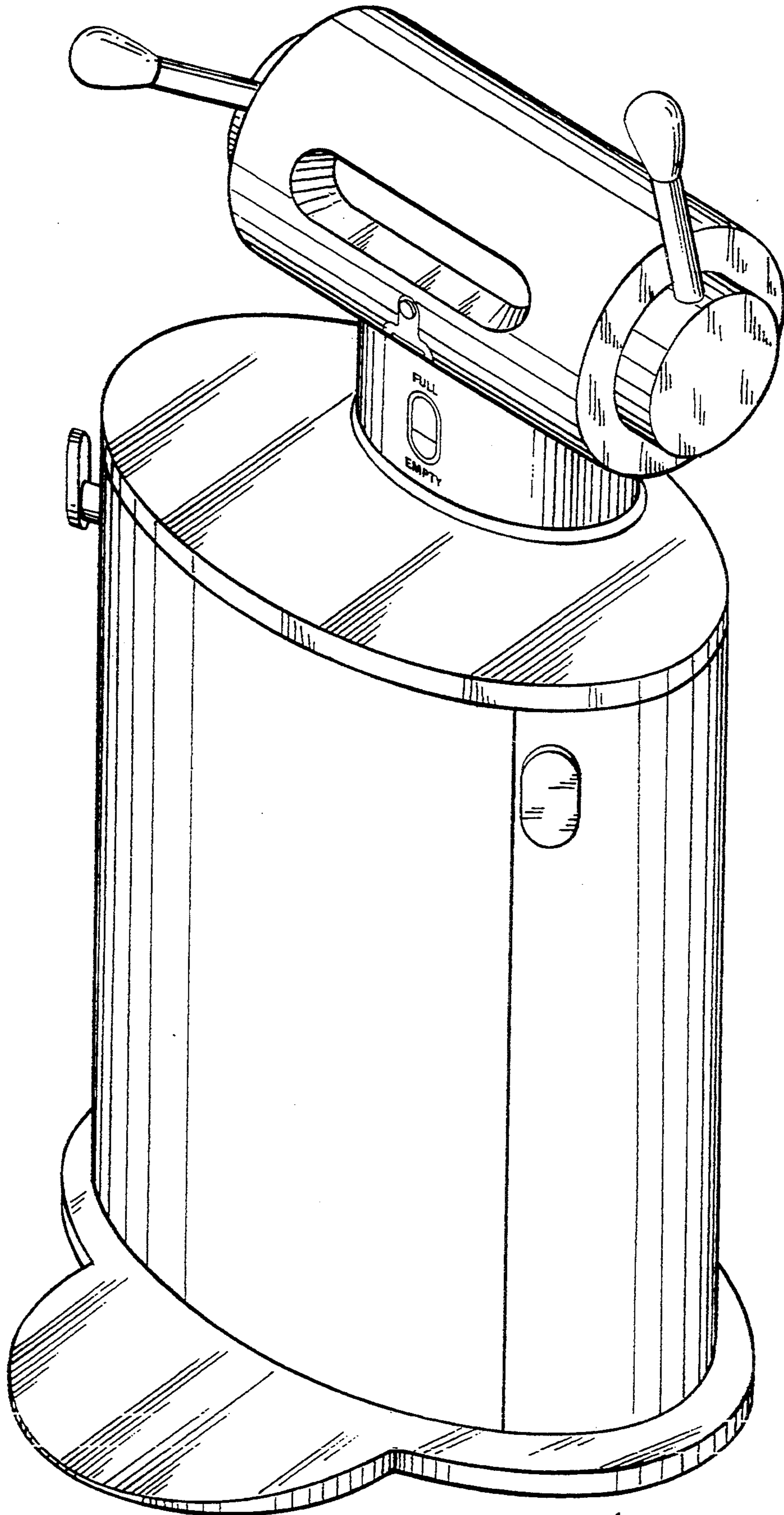


FIG. 1

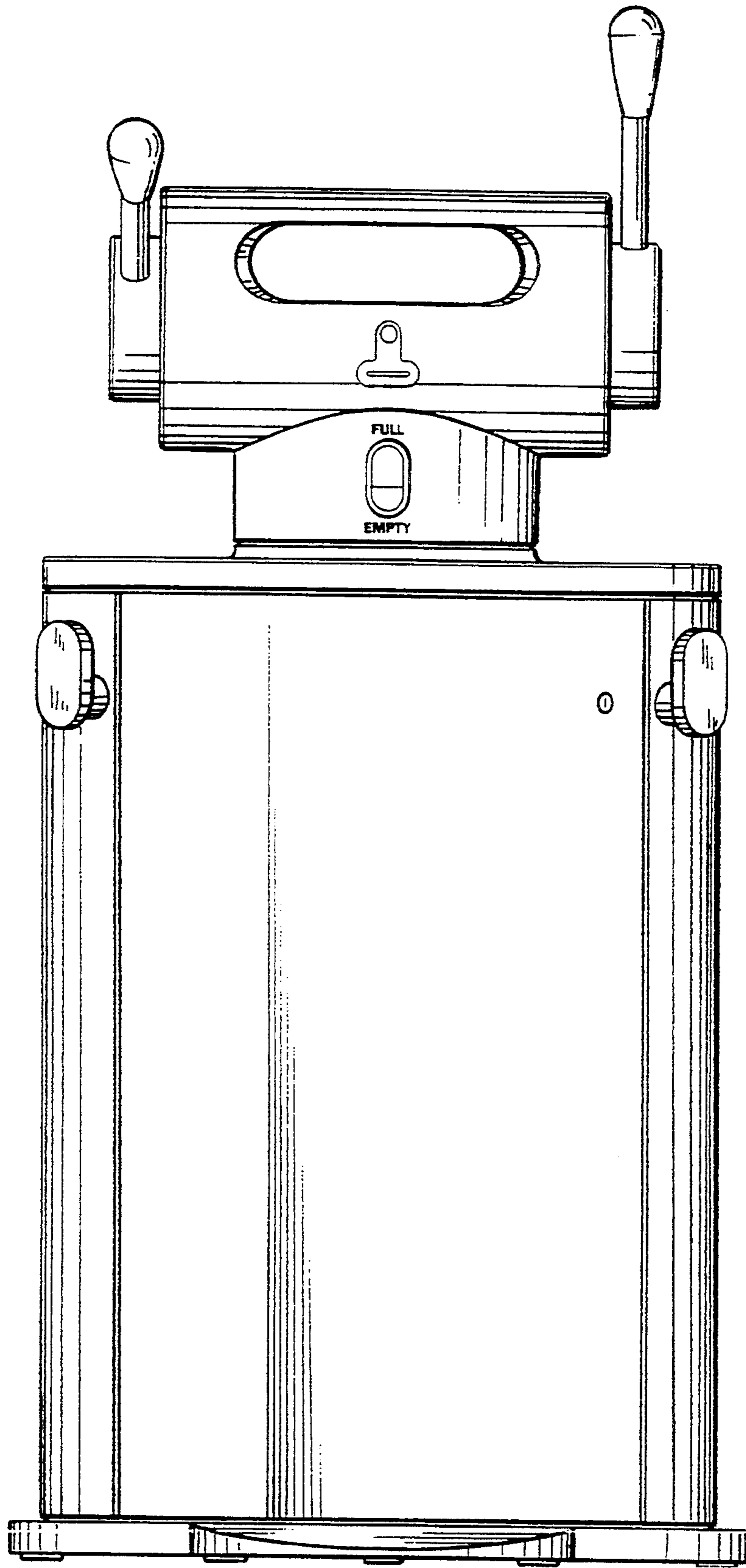


FIG. 2

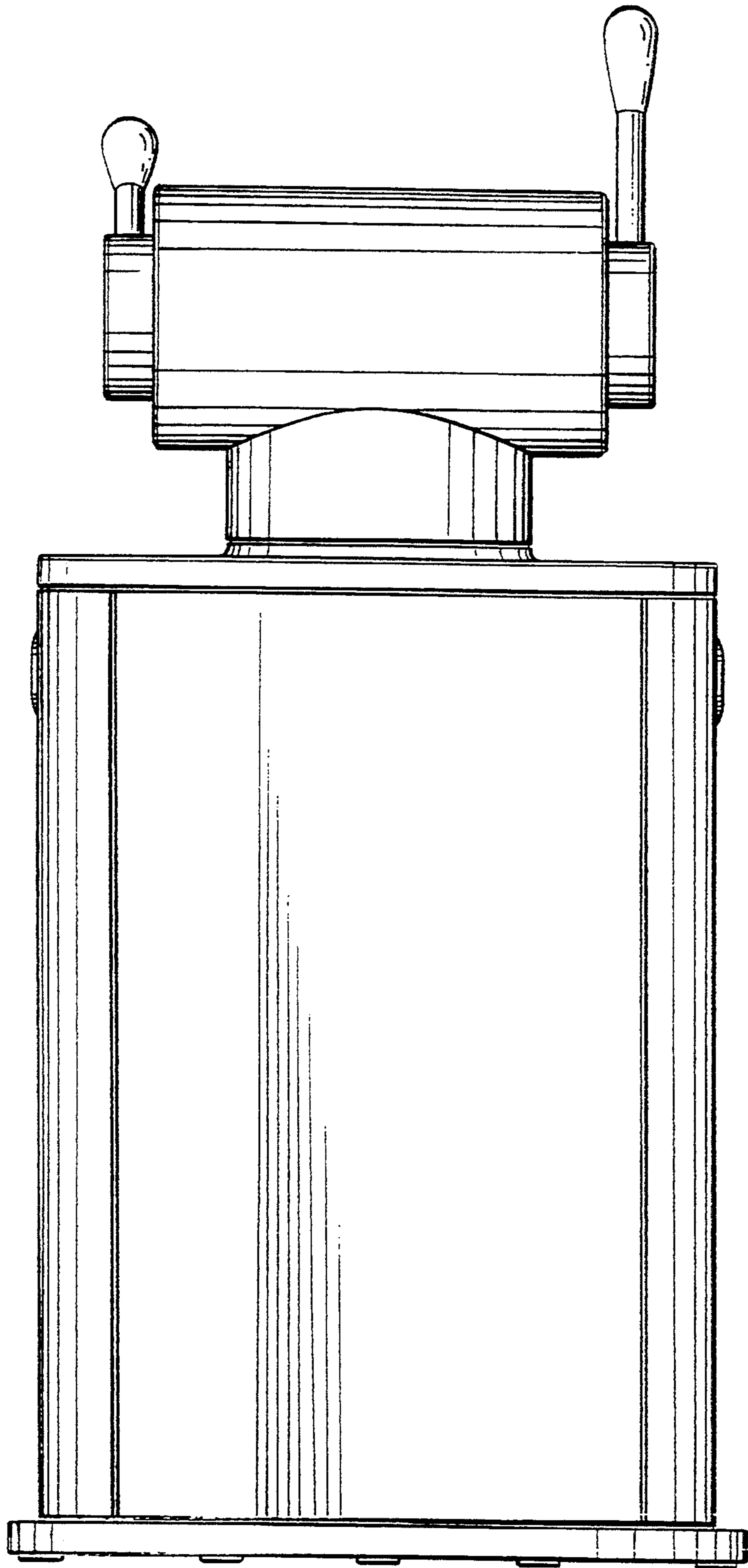


FIG. 3

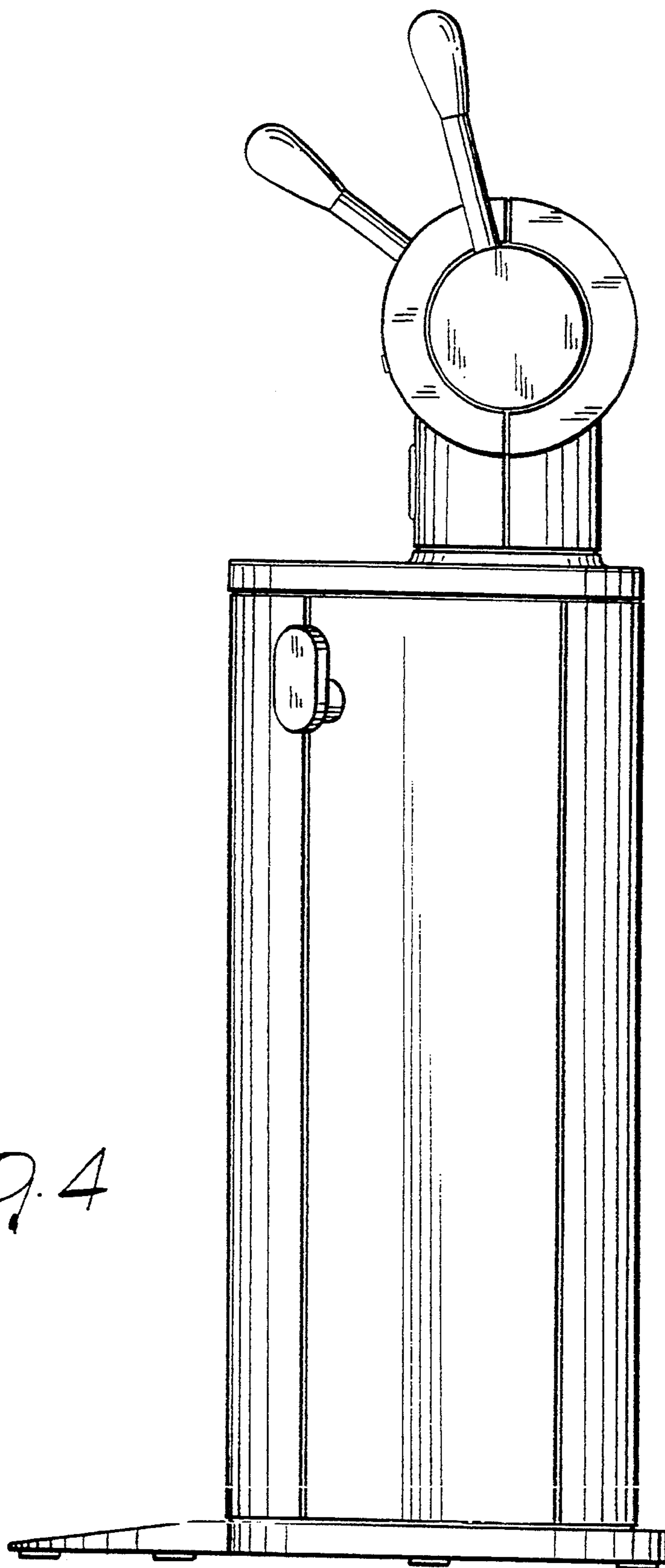


FIG. 4

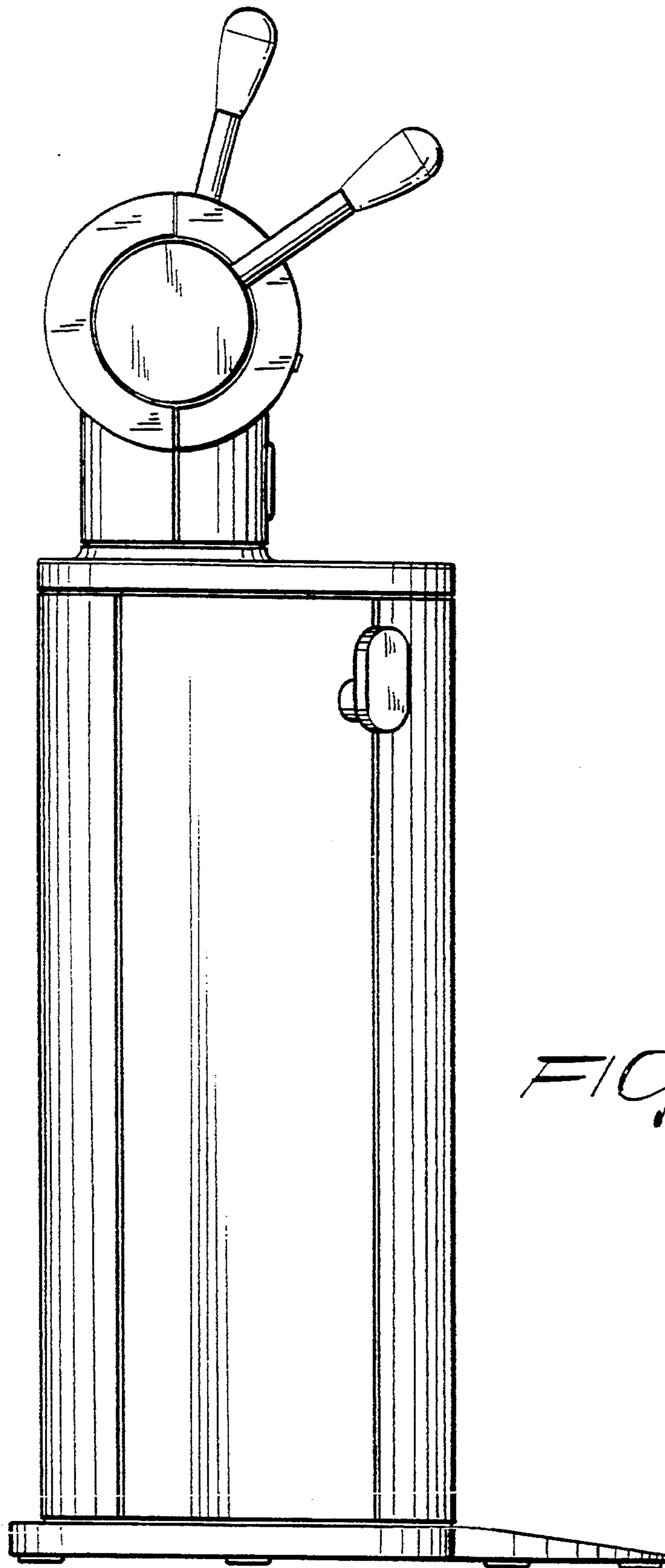


FIG. 5

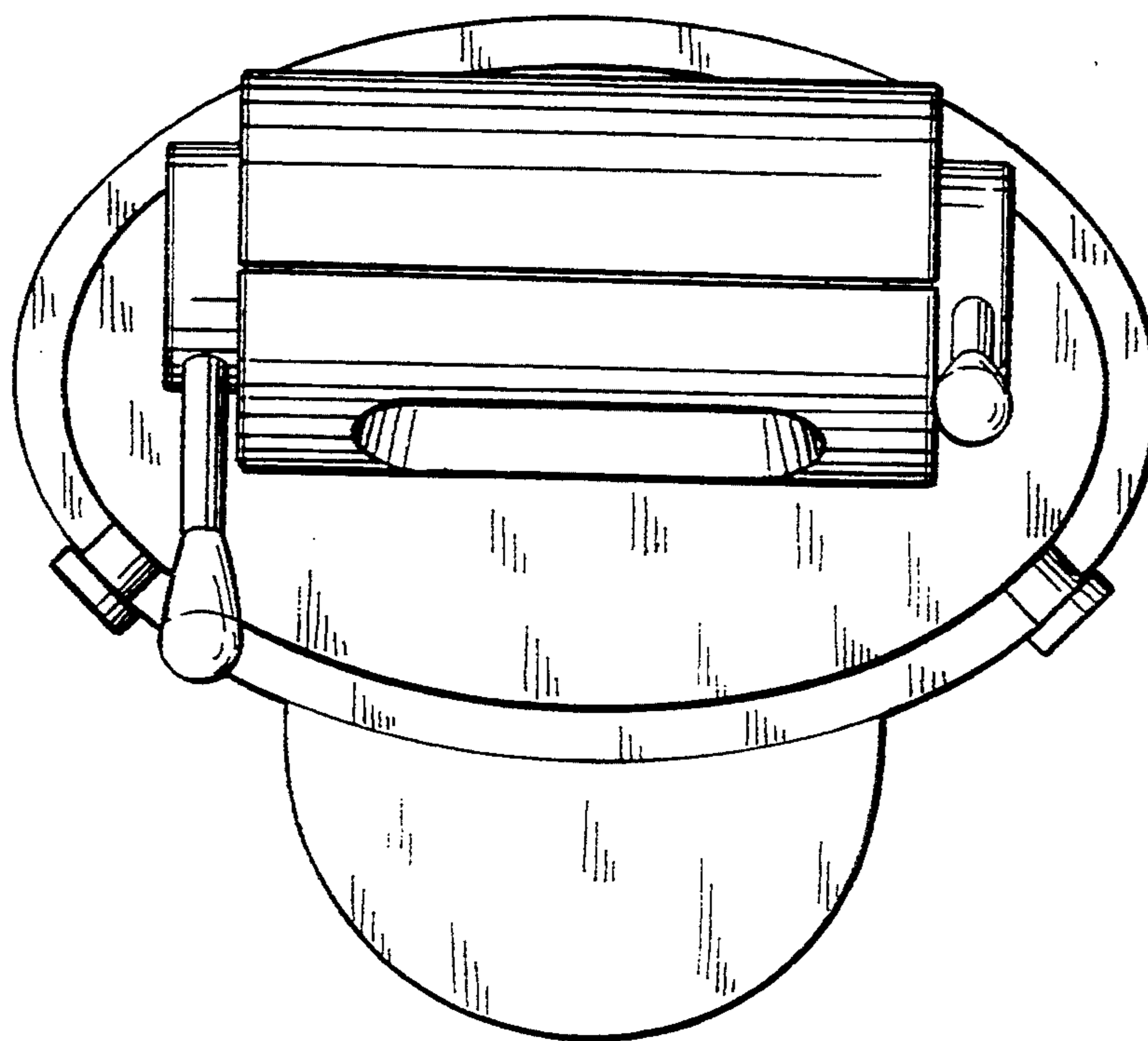


FIG. 6

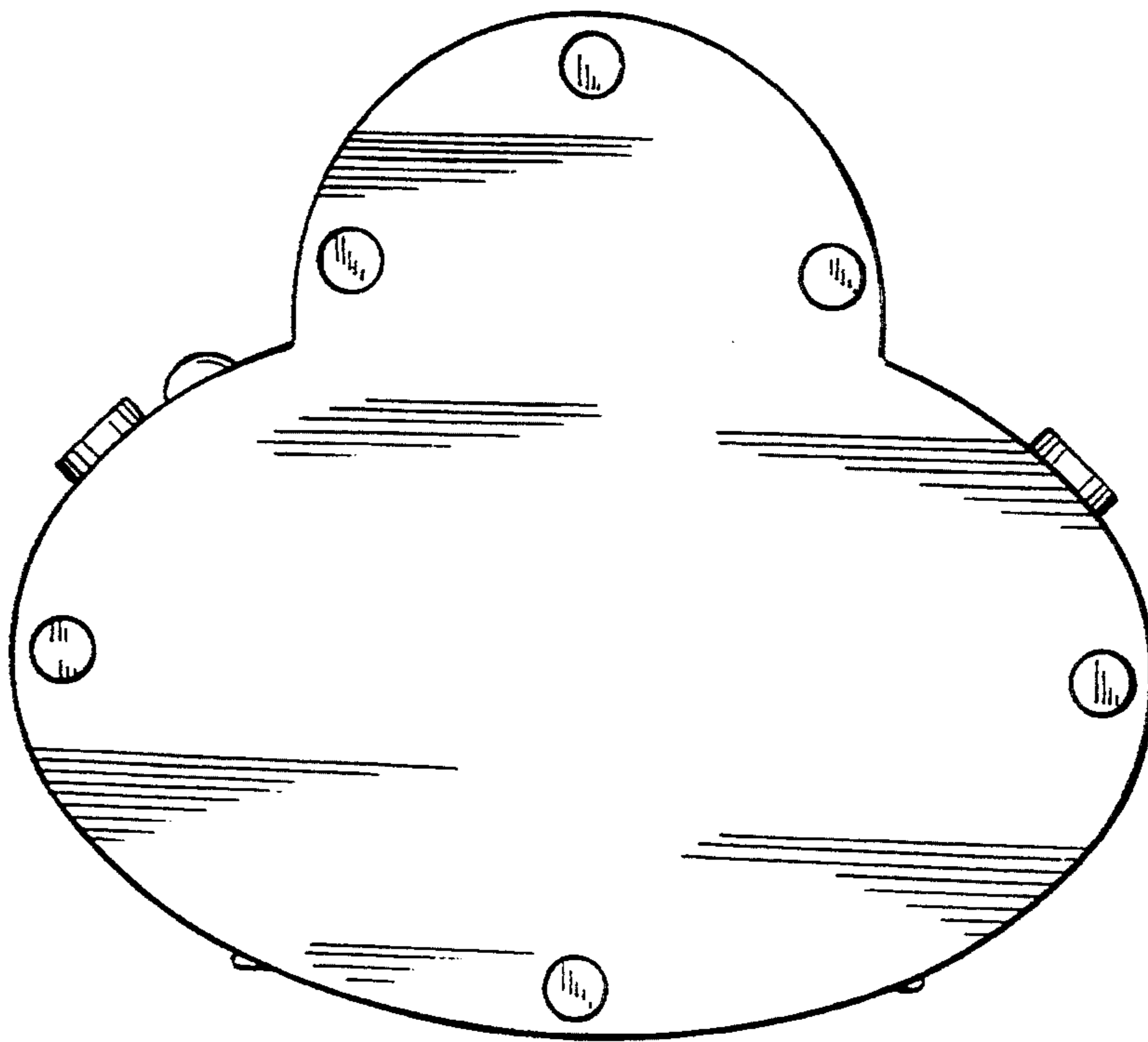


FIG. 7