



US00D360211S

United States Patent [19]

Makino

[11] Patent Number: **Des. 360,211**

[45] Date of Patent: **** Jul. 11, 1995**

[54] PUMP

[75] Inventor: **Michio Makino**, Funabashi, Japan

[73] Assignee: **Kaiyo Kogyo Kabushiki Kaisha**,
Tokyo, Japan

[**] Term: **14 Years**

[21] Appl. No.: **12,870**

[22] Filed: **Sep. 14, 1993**

[52] U.S. Cl. **D15/8; D15/7**

[58] Field of Search **D23/231, 232, 213, 207;**
417/234, 258, 321, 410 B, 415-416, 426,
535-537; 152/415-416, 426; D30/106;
D15/7-8; D22/134; 210/242.2, 220; 261/77,
120, 123

[56] **References Cited**

U.S. PATENT DOCUMENTS

D. 208,618	9/1967	Munch	D23/213
D. 324,279	2/1992	Gross	D3/106
4,472,113	9/1984	Roger	417/321
4,702,830	10/1987	Makino et al.	210/220
4,752,421	6/1988	Makino	261/120

4,911,838 3/1990 Tanaka 210/242.2

FOREIGN PATENT DOCUMENTS

796656 10/1990 Japan .

Primary Examiner—Ralf T. Seifert

Attorney, Agent, or Firm—Wenderoth, Lind & Ponack

[57] **CLAIM**

The ornamental design for a pump, as shown and described.

DESCRIPTION

FIG. 1 is a top, front, left side perspective view of a pump showing my new design;
 FIG. 2 is a front elevational view thereof;
 FIG. 3 is a rear elevational view thereof;
 FIG. 4 is a right side elevational view thereof, the left side elevational view being a mirror image;
 FIG. 5 is a top plan view thereof;
 FIG. 6 is a bottom plan view thereof;
 FIG. 7 is an enlarged cross-sectional view taken along line 7—7 in FIG. 4; and,
 FIG. 8 is an enlarged cross-sectional view taken along line 8—8 in FIG. 4.

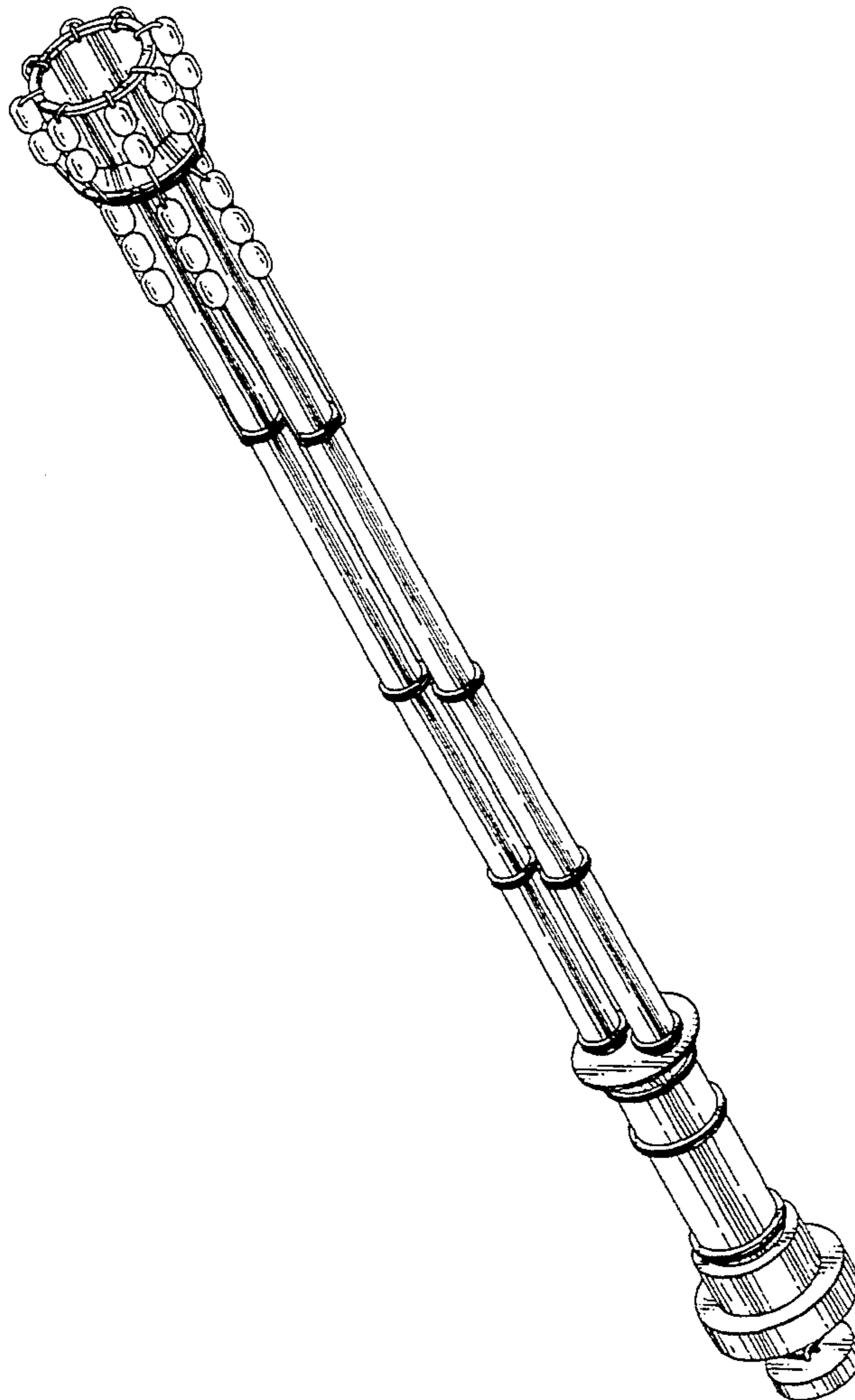


FIG. 1

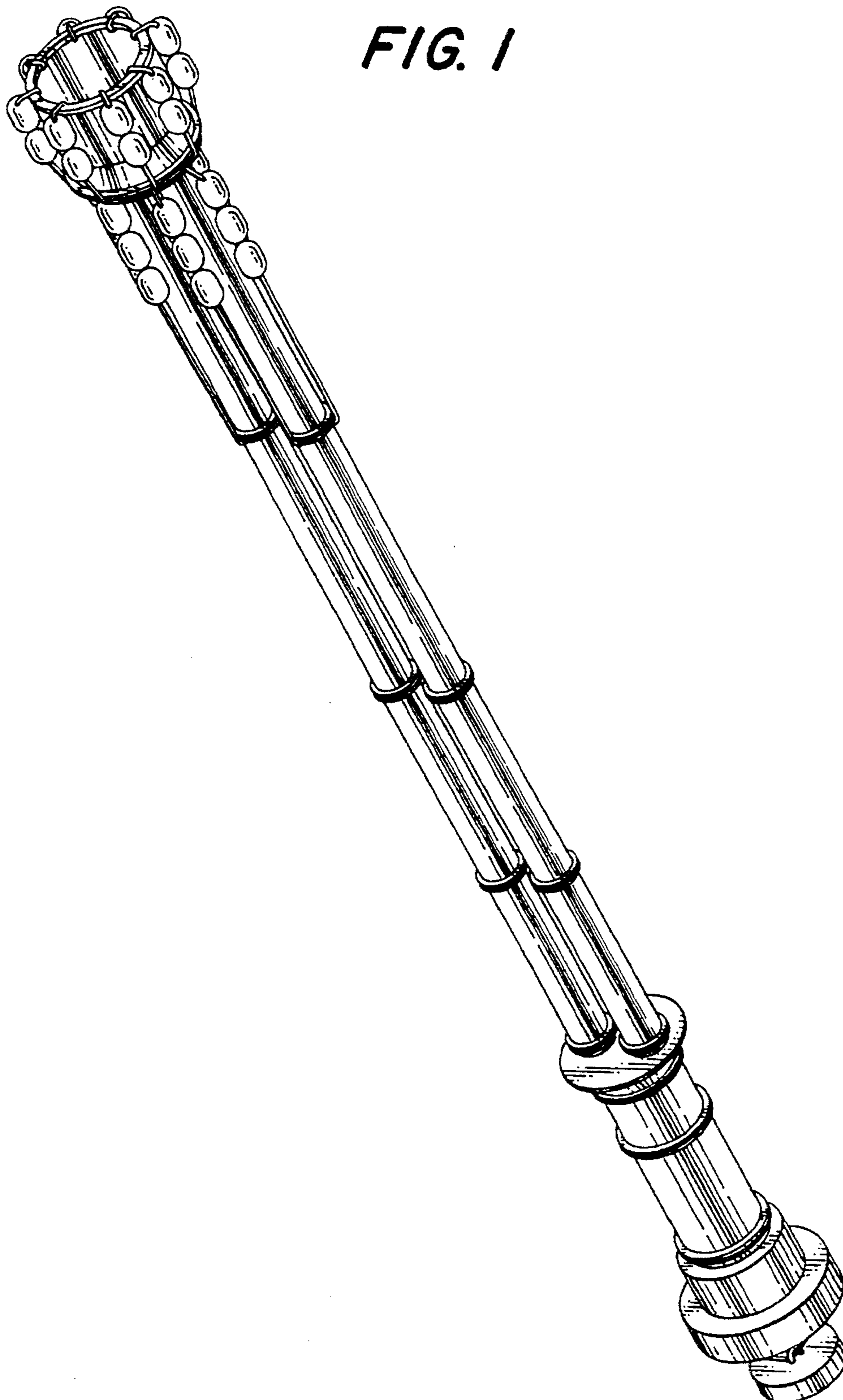


FIG. 2

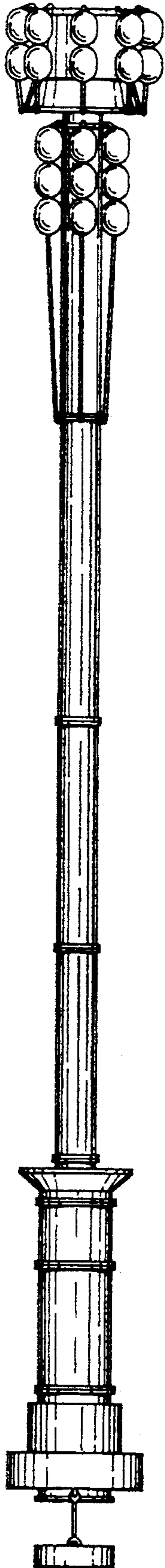


FIG. 3

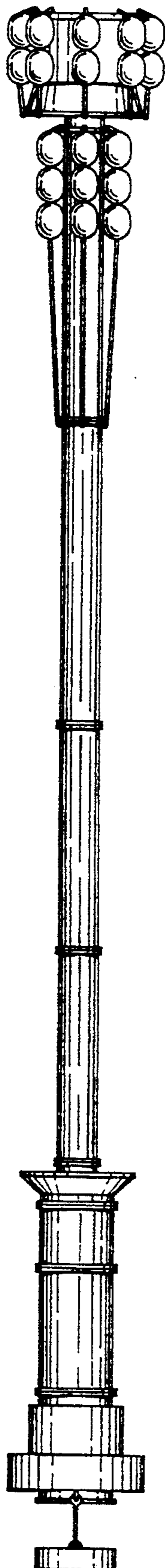


FIG. 4

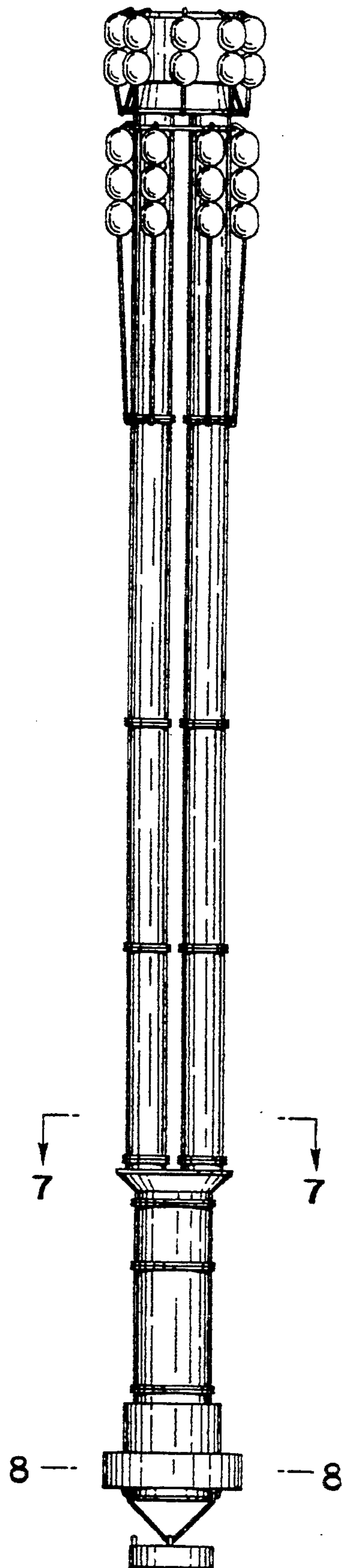


FIG. 5



FIG. 6

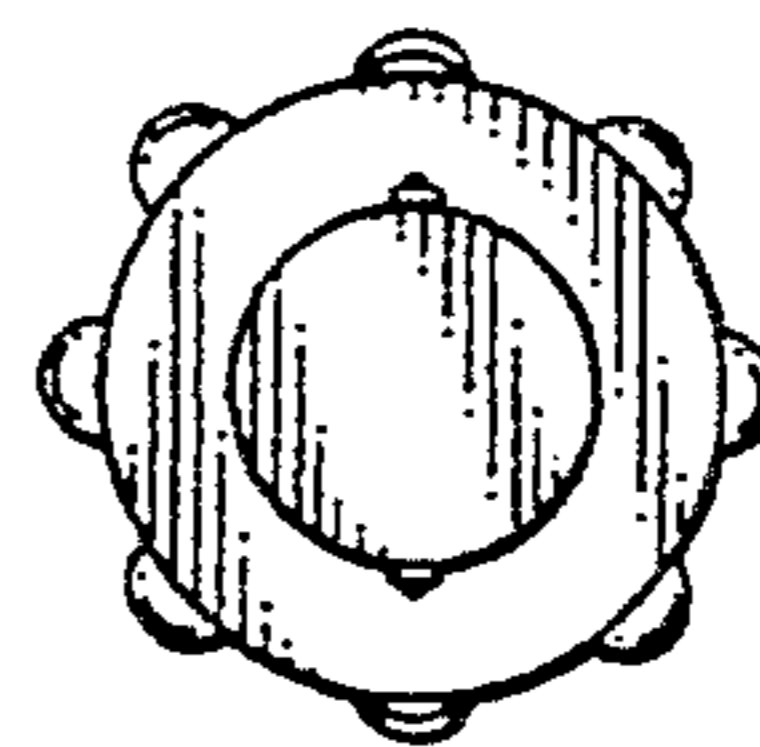


FIG. 7

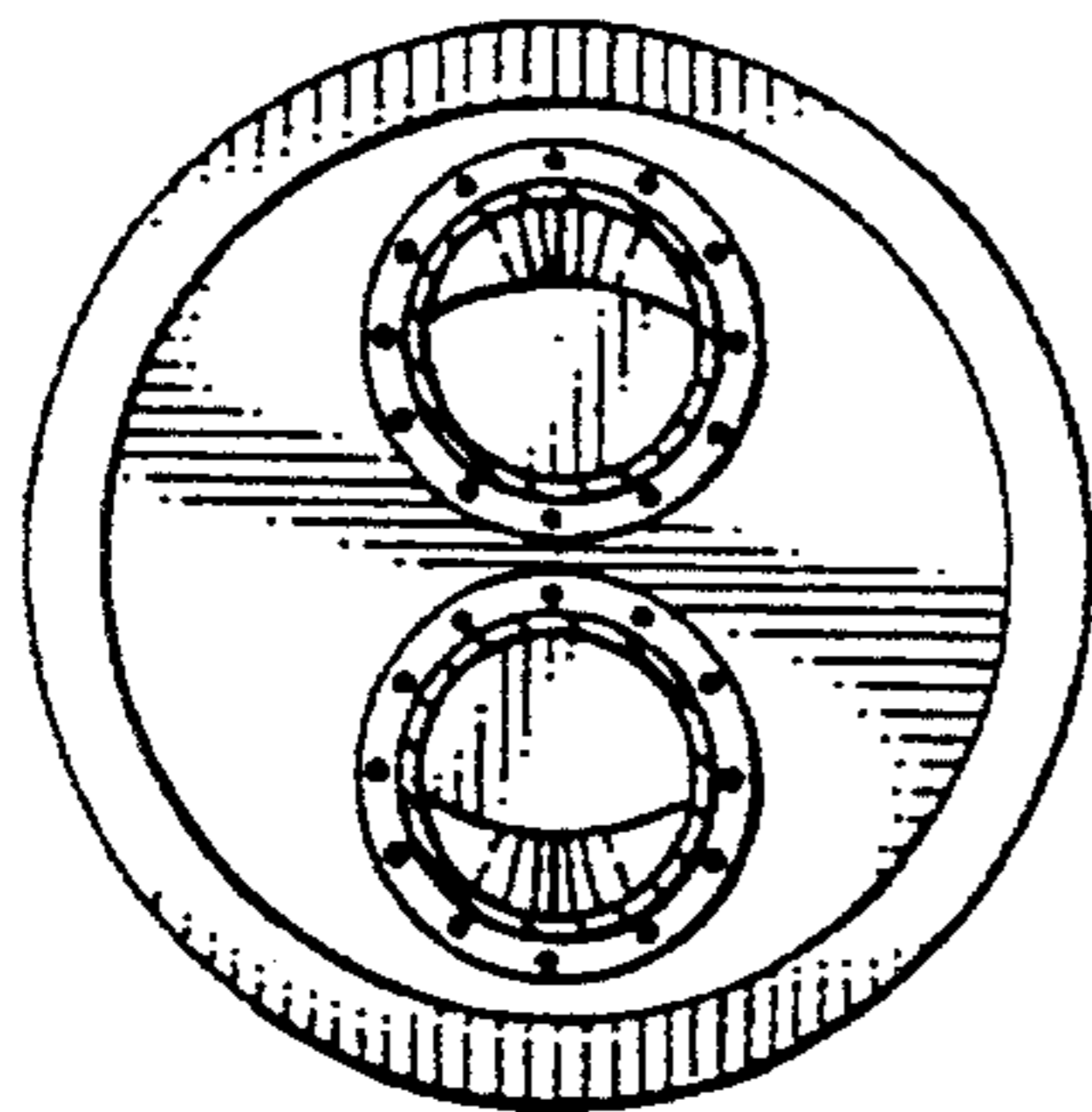


FIG. 8

