



US00D360209S

United States Patent [19]
Sheu

[11] **Patent Number: Des. 360,209**

[45] **Date of Patent: ** Jul. 11, 1995**

[54] **SPEAKER**
[75] Inventor: **Wen C. Sheu, Chung-Ho, Taiwan**
[73] Assignee: **High Grade Industries Co., Ltd., Taipei Hsien, Taiwan**
[**] Term: **14 Years**
[21] Appl. No.: **16,250**
[22] Filed: **Dec. 10, 1993**
[52] U.S. Cl. **D14/215**
[58] Field of Search **D14/172, 204, 210, 211, D14/213-216, 221, 229, 299; 181/144, 148, 153, 198, 199; 381/88, 90**

D. 334,935 4/1993 Goto D14/204 X
D. 342,739 12/1993 Atkin et al. D14/299 X
5,276,916 1/1994 Pawlish et al. 379/432 X

Primary Examiner—Terry A. Wallace
Assistant Examiner—Nanda Bondade
Attorney, Agent, or Firm—Browdy and Neimark

[57] **CLAIM**

The ornamental design for speaker, as shown and described.

DESCRIPTION

FIG. 1 is a front elevational view of a speaker of my new design;
FIG. 2 is a rear elevational view thereof;
FIG. 3 is a left side elevational view thereof;
FIG. 4 is a right side elevational view thereof;
FIG. 5 is a top plan view thereof;
FIG. 6 is a bottom plan view thereof; and,
FIG. 7 is a perspective view thereof.

[56] **References Cited**
U.S. PATENT DOCUMENTS
D. 272,343 1/1984 Matsubara D14/214
D. 280,985 10/1985 Grimes D14/214

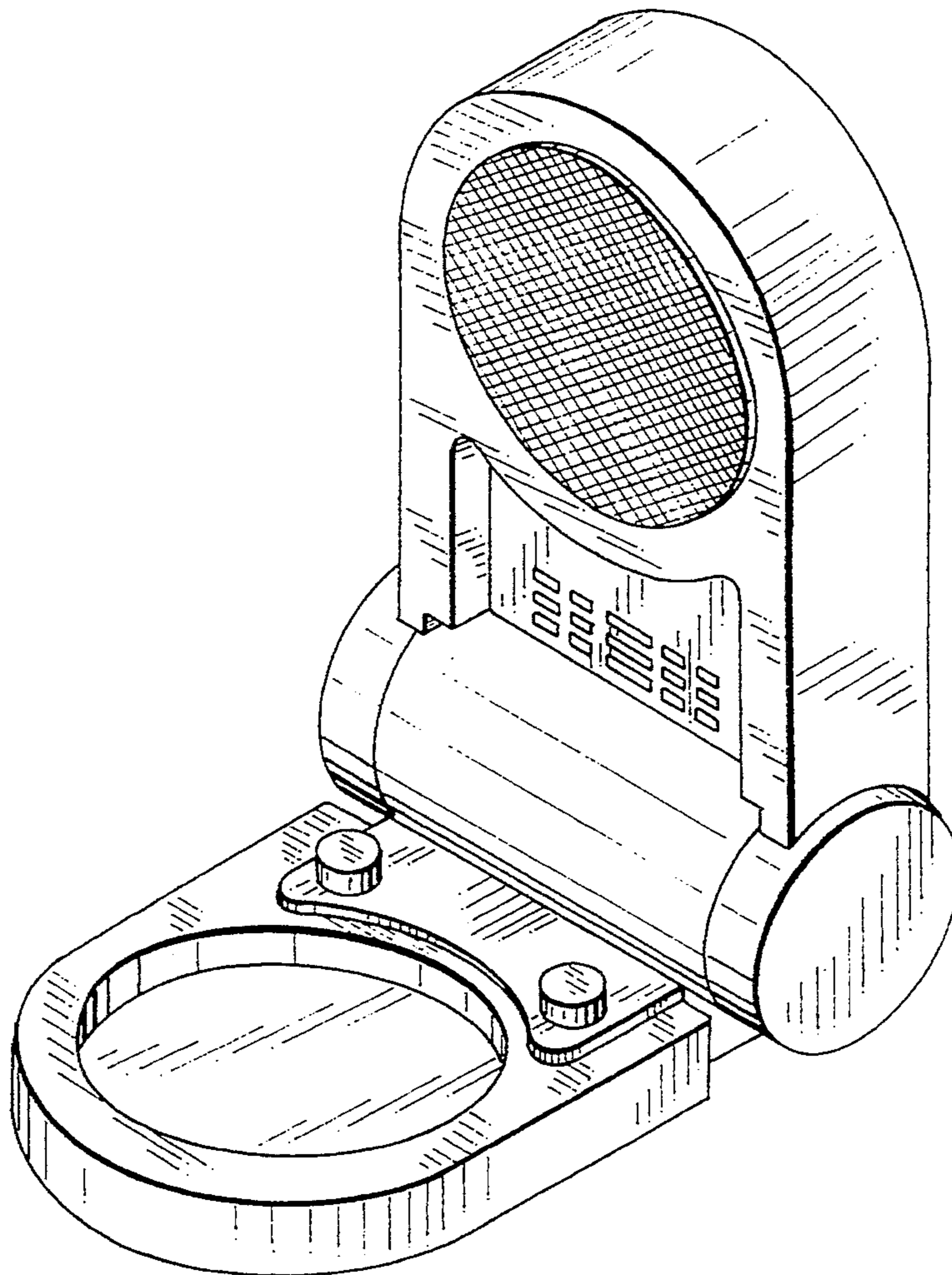


FIG. 2

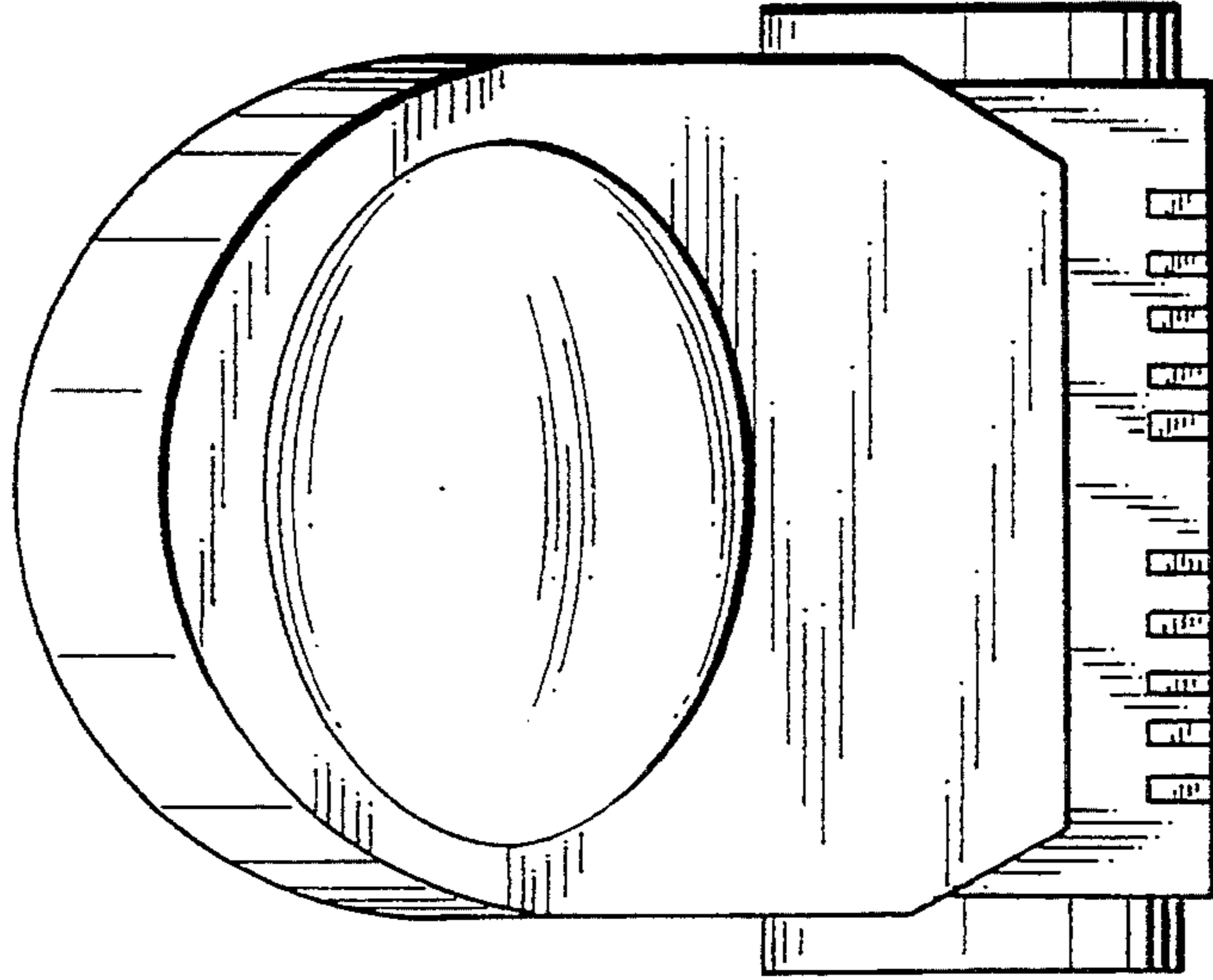
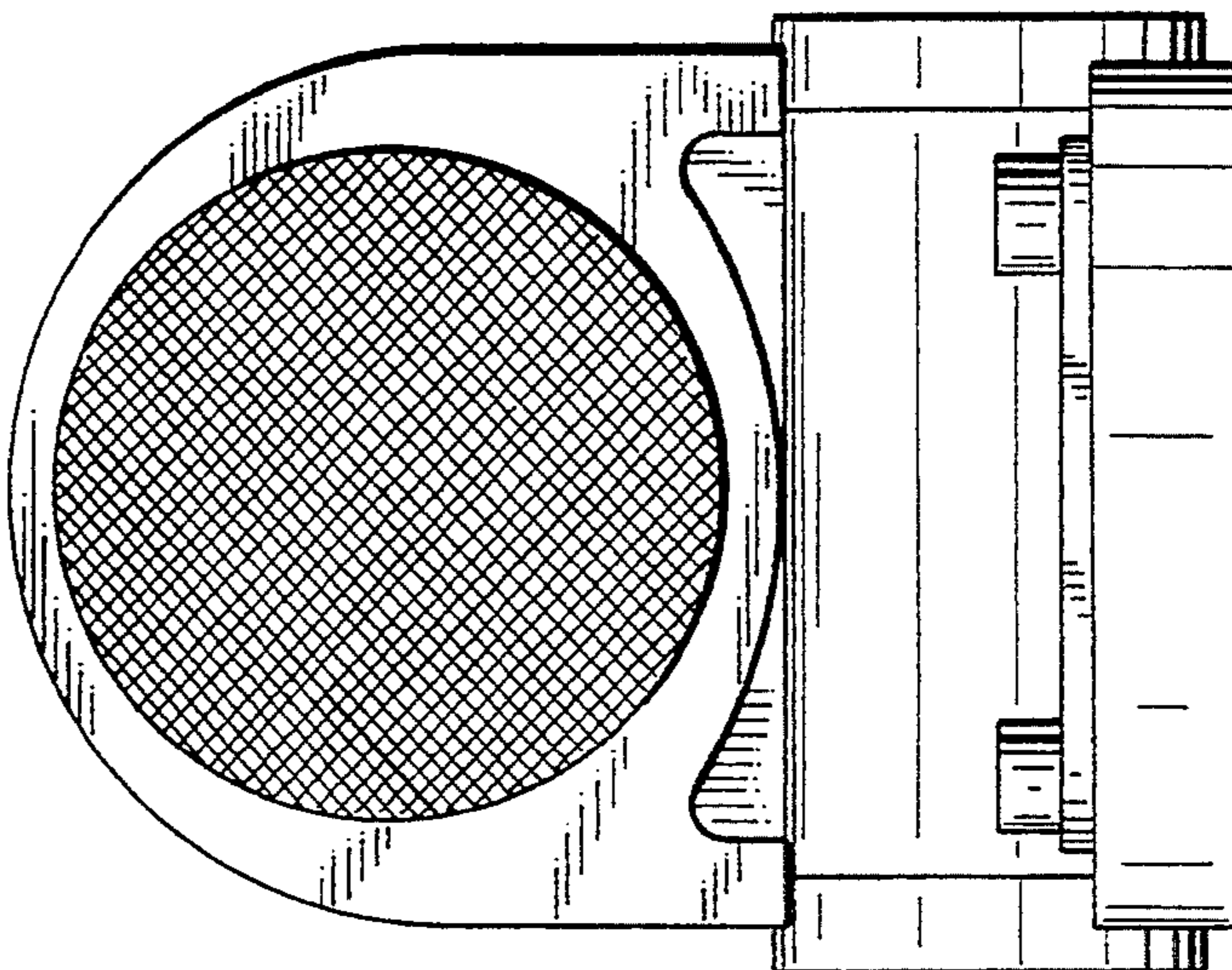


FIG. 1



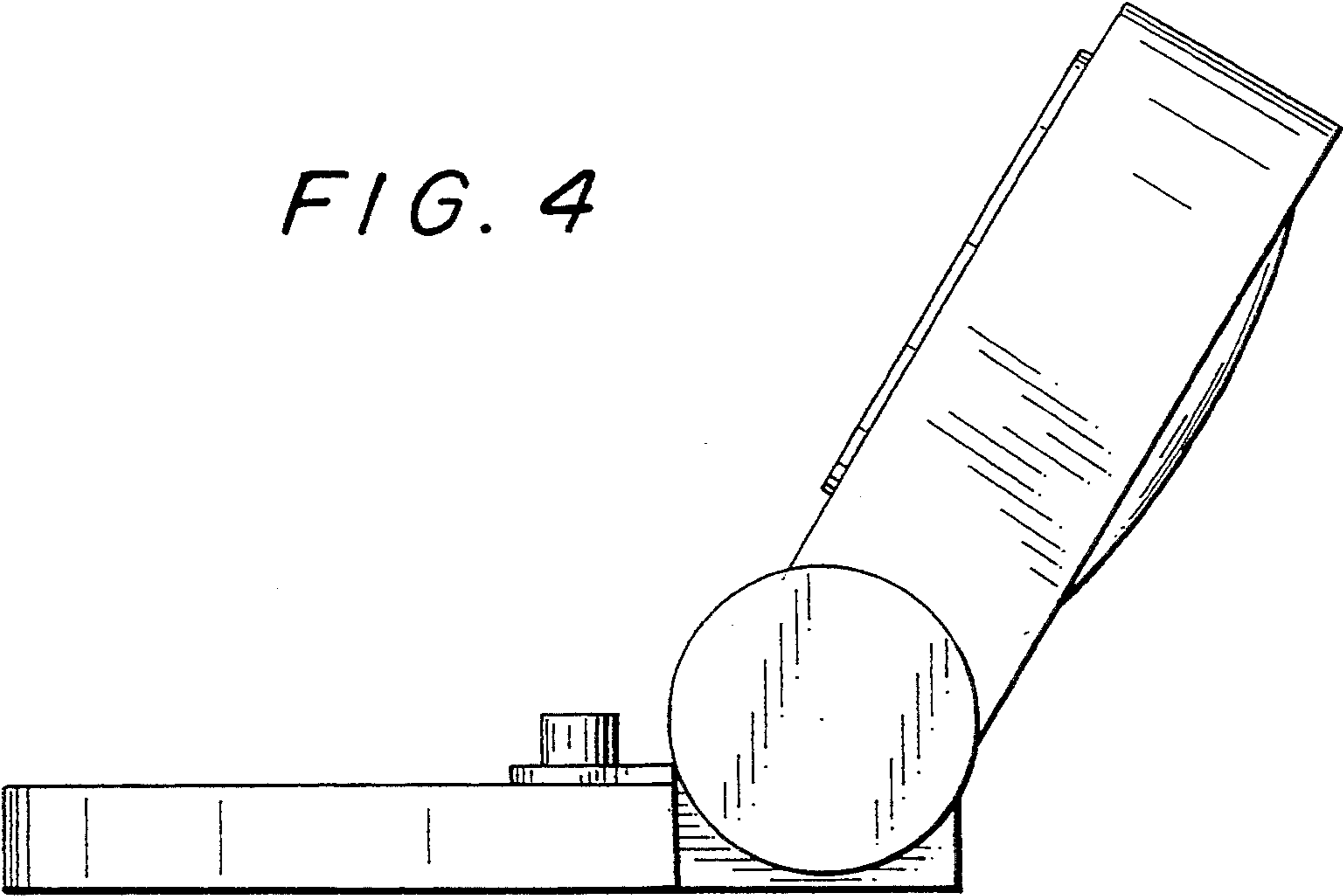
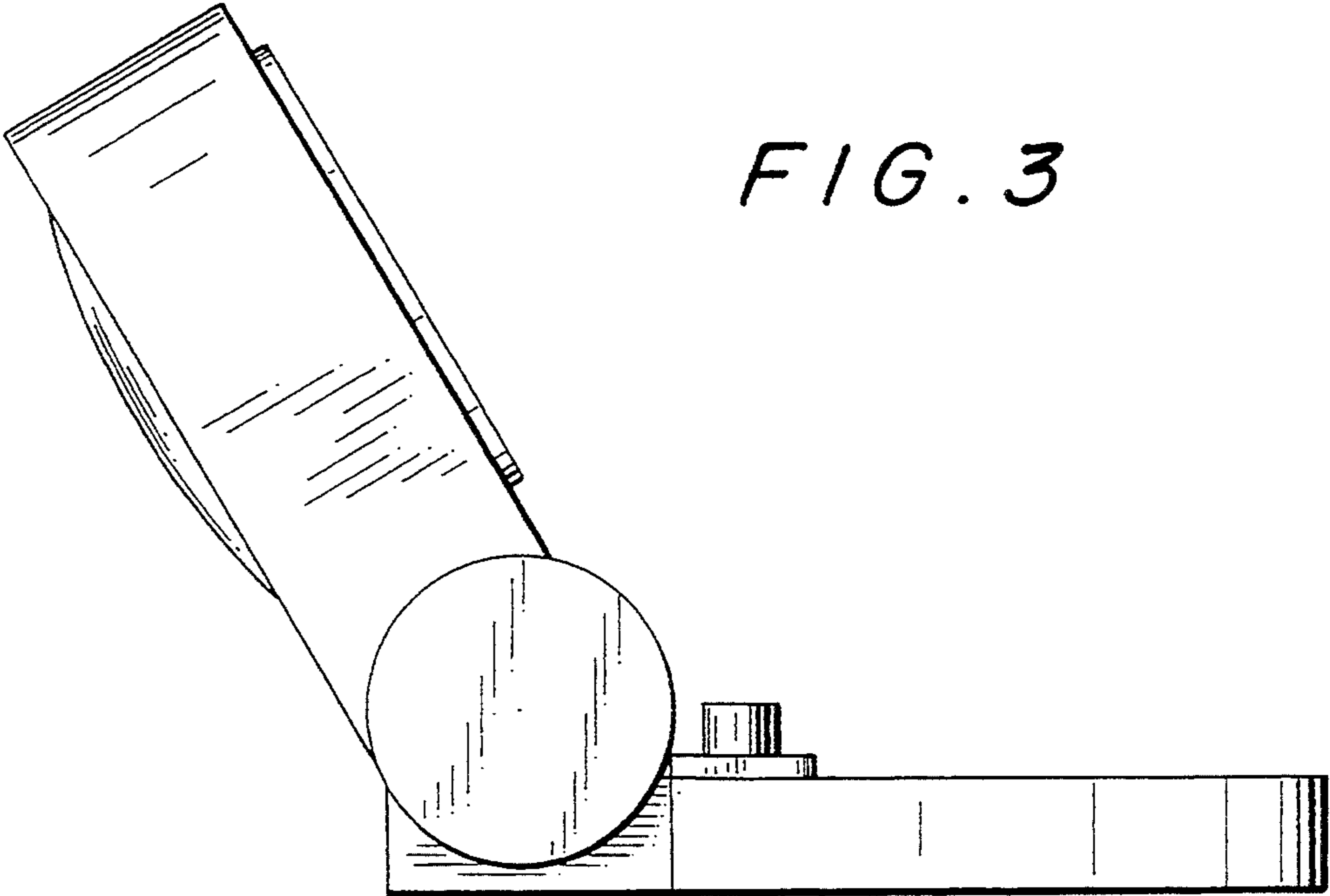


FIG. 6

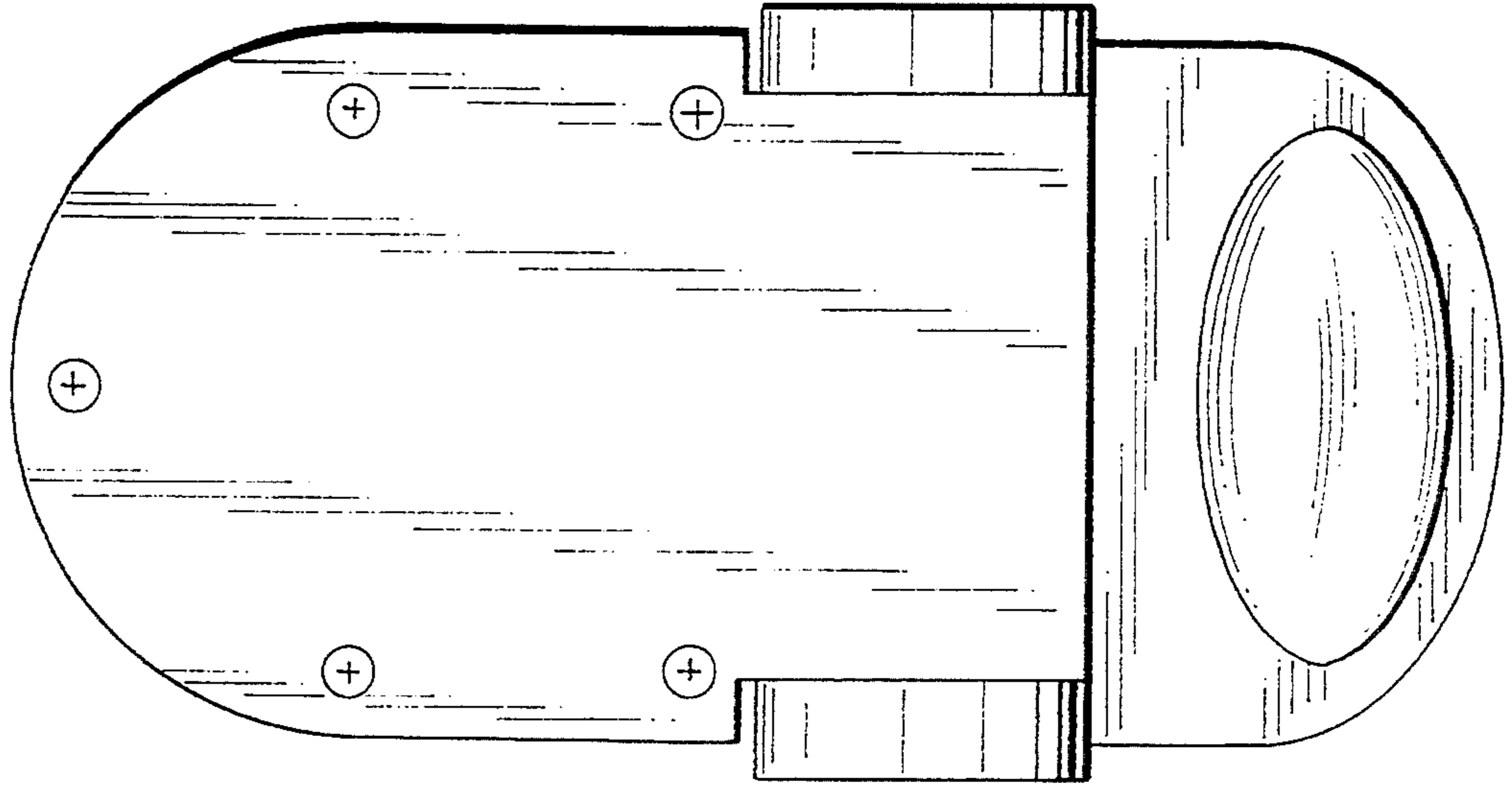


FIG. 5

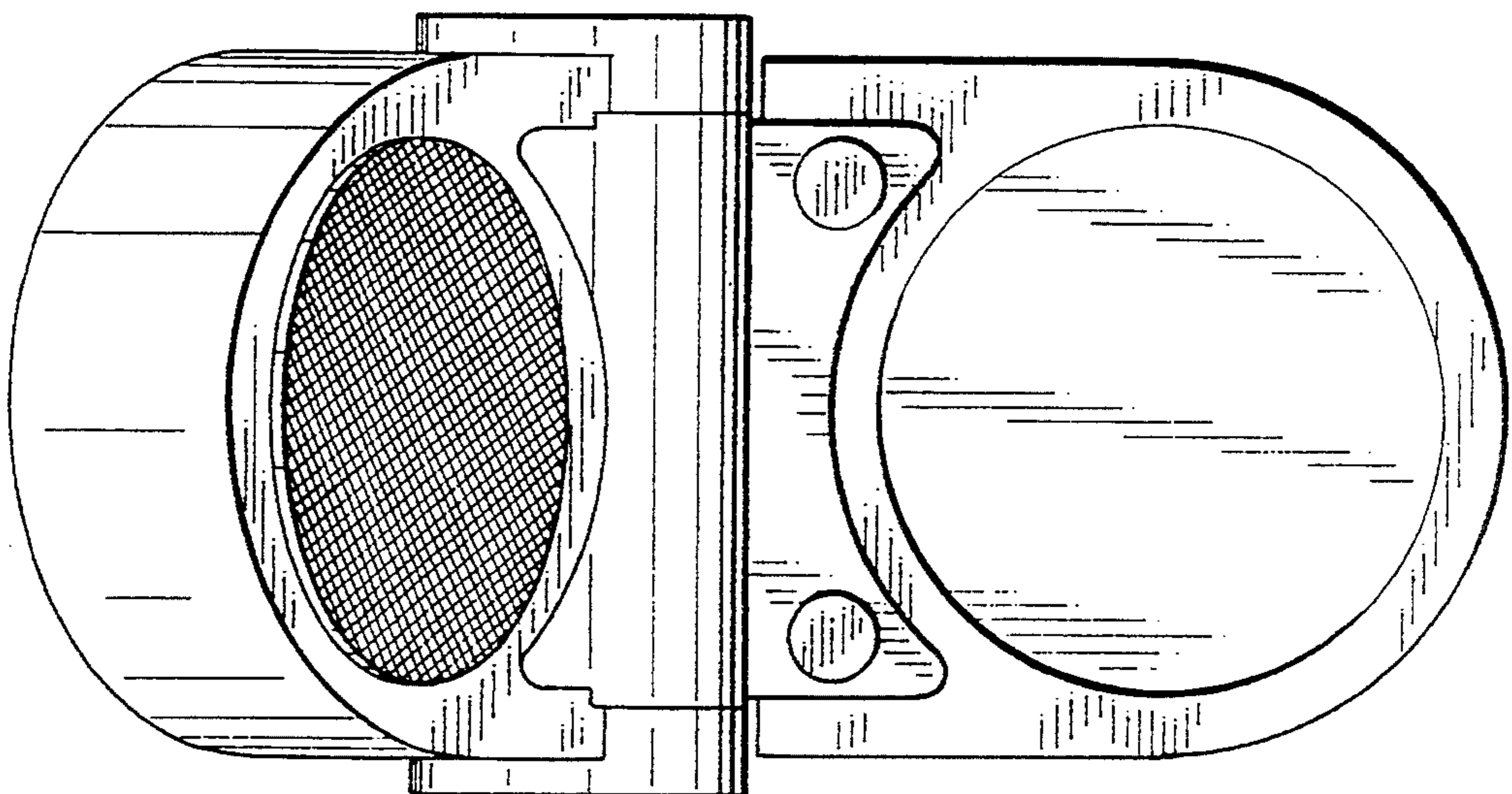


FIG. 7

