



US00D360206S

United States Patent [19]

Williams

[11] Patent Number: Des. 360,206

[45] Date of Patent: ** Jul. 11, 1995

[54] MOTOR VEHICLE AUDIO INFORMATION SYSTEM

[76] Inventor: Steven M. Williams, 1406 Tanbark Cir., Apt. E, Jackson, Mich. 49203

[**] Term: 14 Years

[21] Appl. No.: 5,019

[22] Filed: Feb. 18, 1993

[52] U.S. Cl. D14/157; D14/167

[58] Field of Search D14/157, 155, 156, 160-163, D14/170-172, 188, 189, 192, 195, 167; 455/345

[56] **References Cited**

U.S. PATENT DOCUMENTS

D. 261,136	10/1981	Yamoda et al.	D14/157
D. 261,887	11/1981	Hisatsune	D14/188
D. 262,537	1/1982	Kikuhcaia	D14/188
4,123,784	10/1978	Uchiugi .	

4,190,819 2/1980 Burgyan .
4,291,342 9/1981 O'Connor .

Primary Examiner—Terry A. Wallace
Assistant Examiner—Dominic Simone
Attorney, Agent, or Firm—Terry M. Gernstein

[57] **CLAIM**

The ornamental design for a motor vehicle audio information system, as shown and described.

DESCRIPTION

FIG. 1 is a front, top and side perspective view of the motor vehicle audio information system showing my new design;

FIG. 2 is a front elevational view thereof;

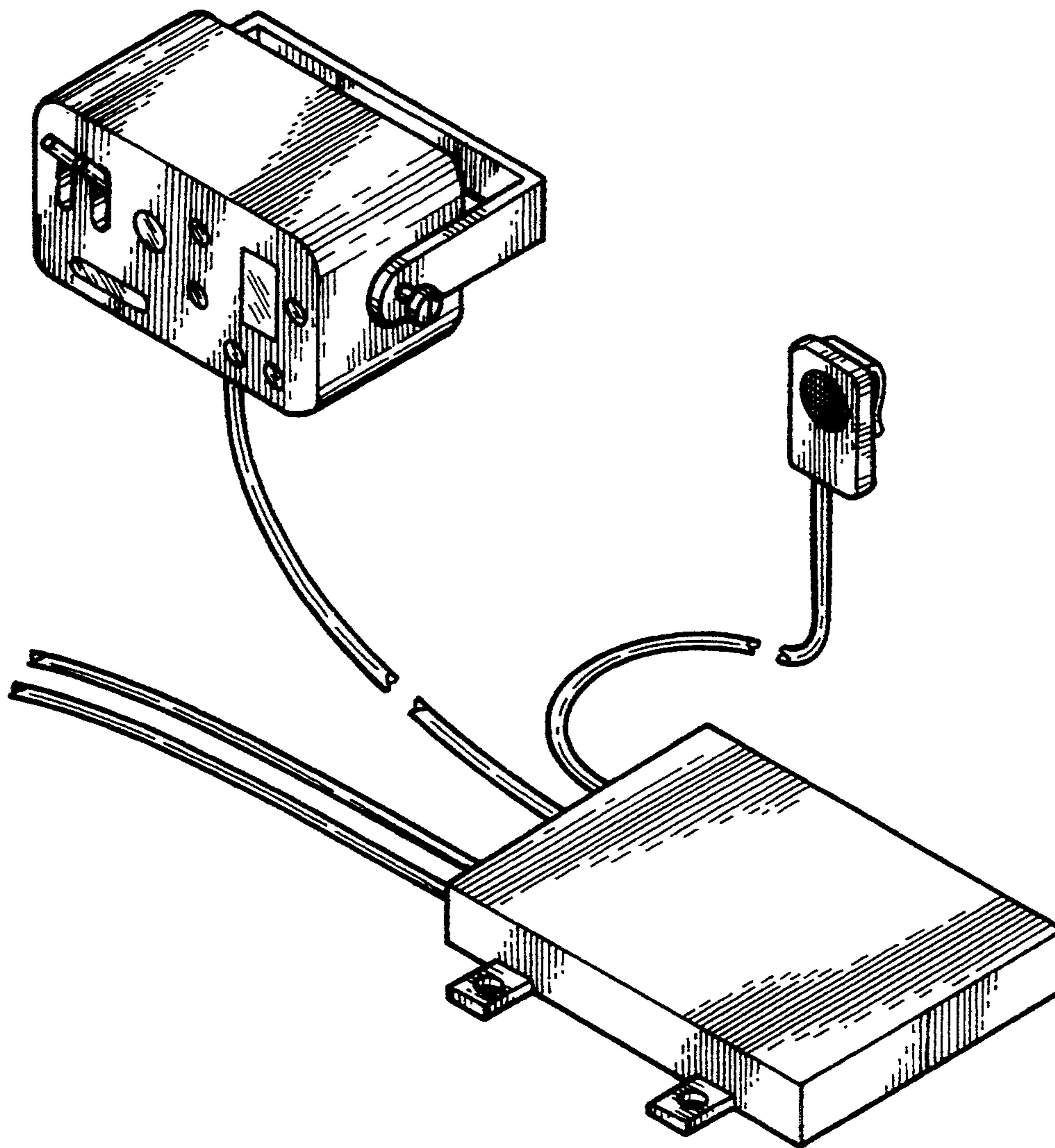
FIG. 3 is a rear elevational view thereof;

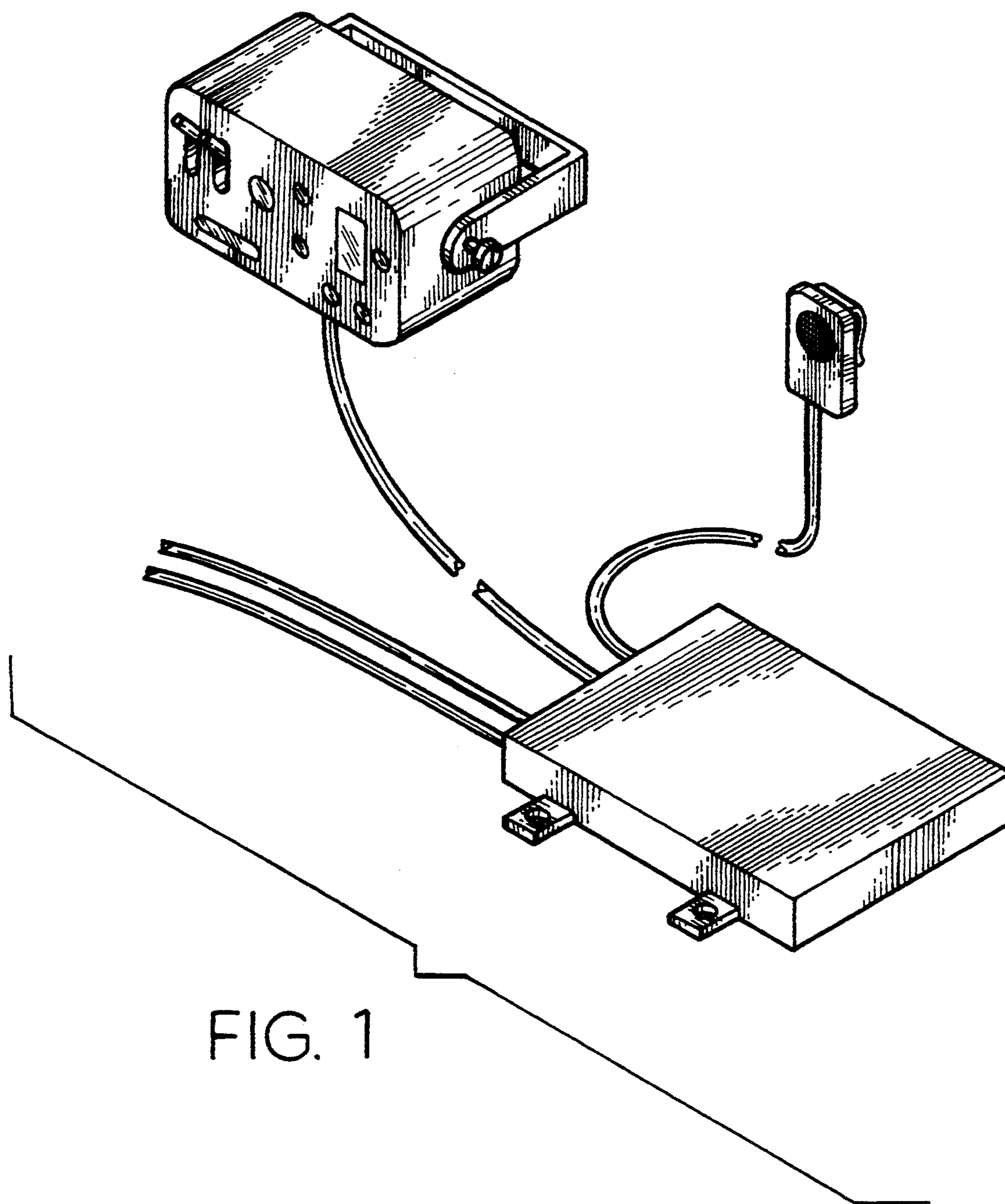
FIG. 4 is a side elevational view thereof;

FIG. 5 is a side elevational view thereof;

FIG. 6 is a top plan view thereof; and,

FIG. 7 is a bottom plan view thereof.





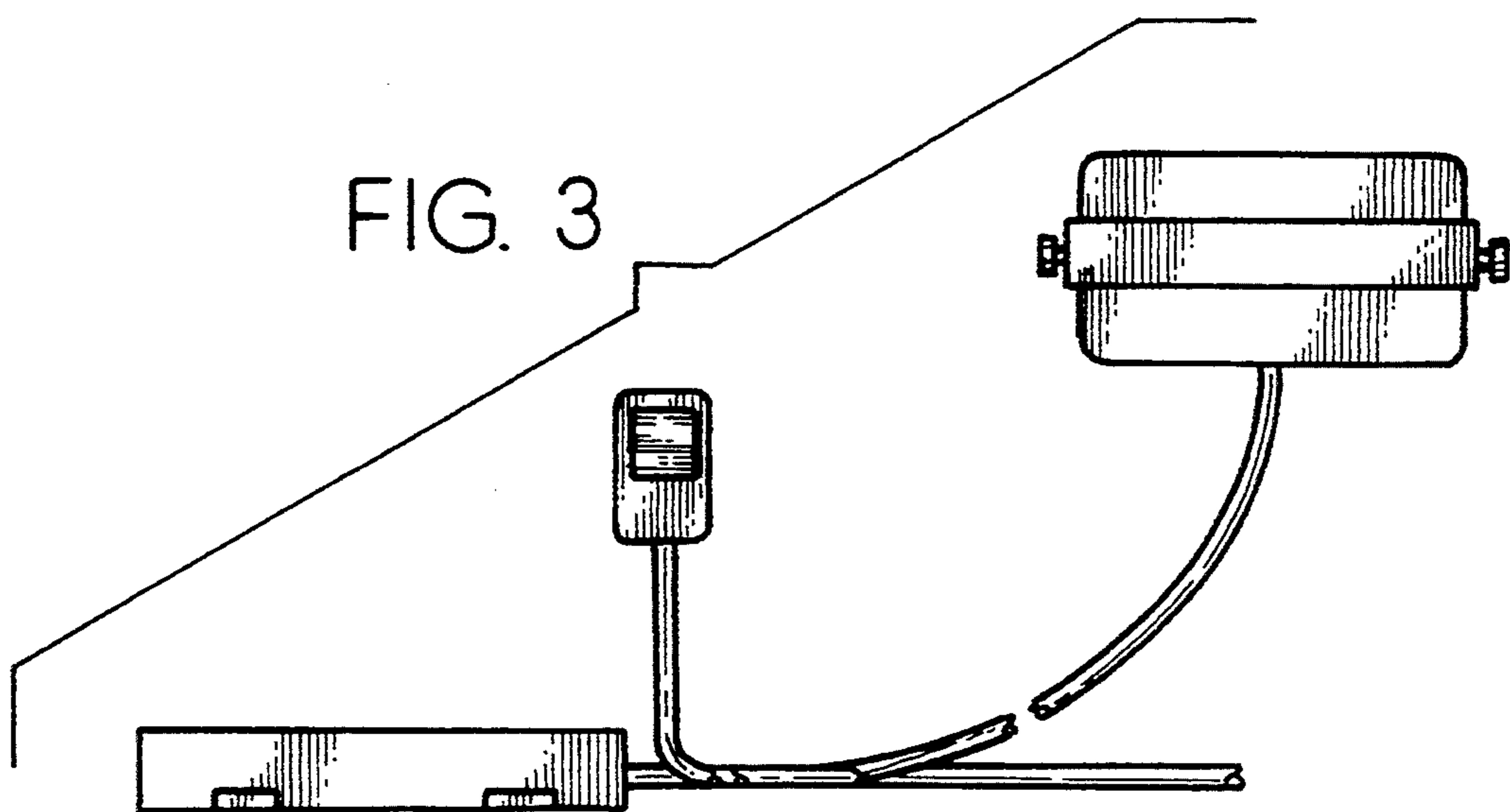
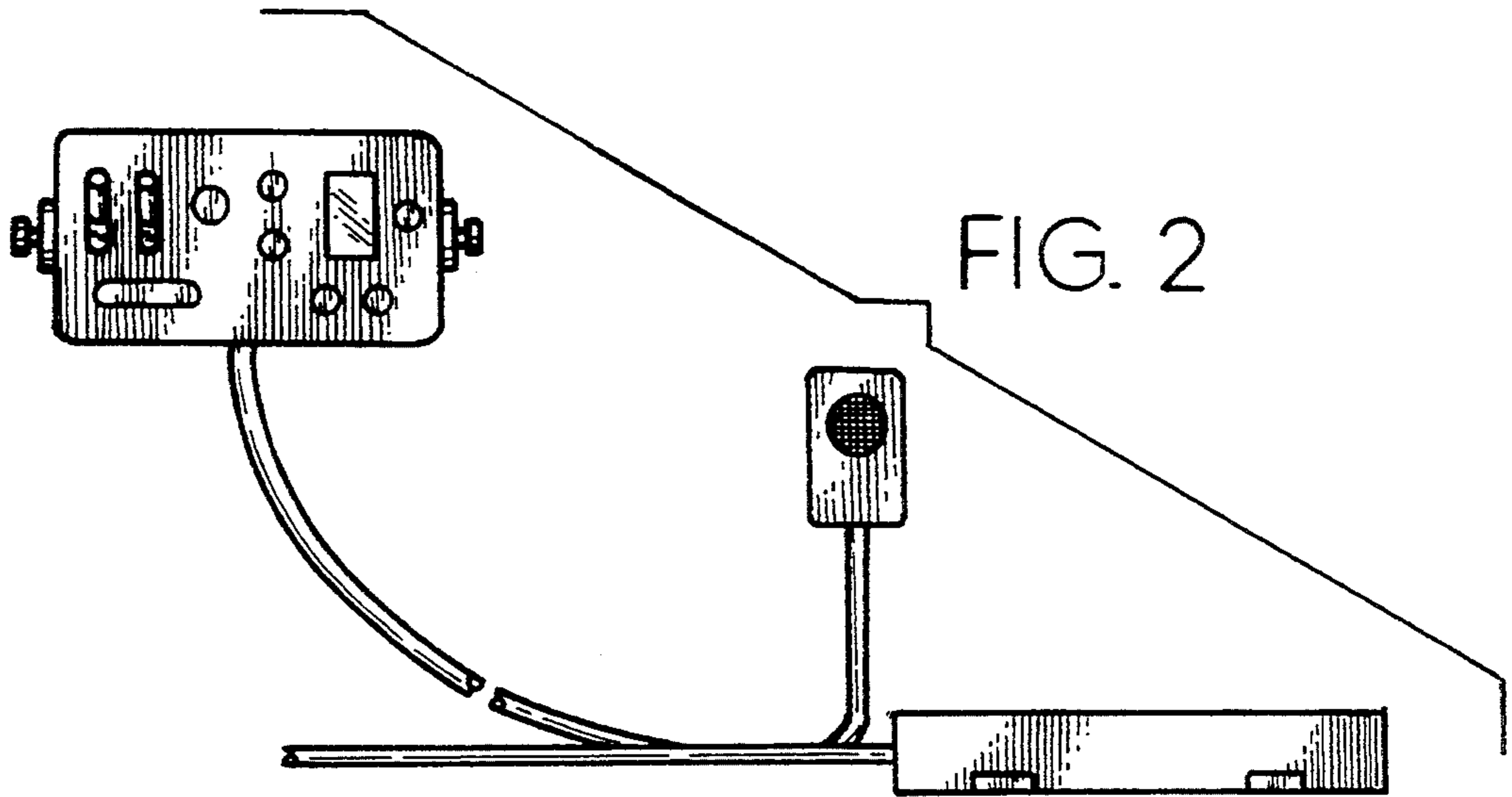


FIG. 4

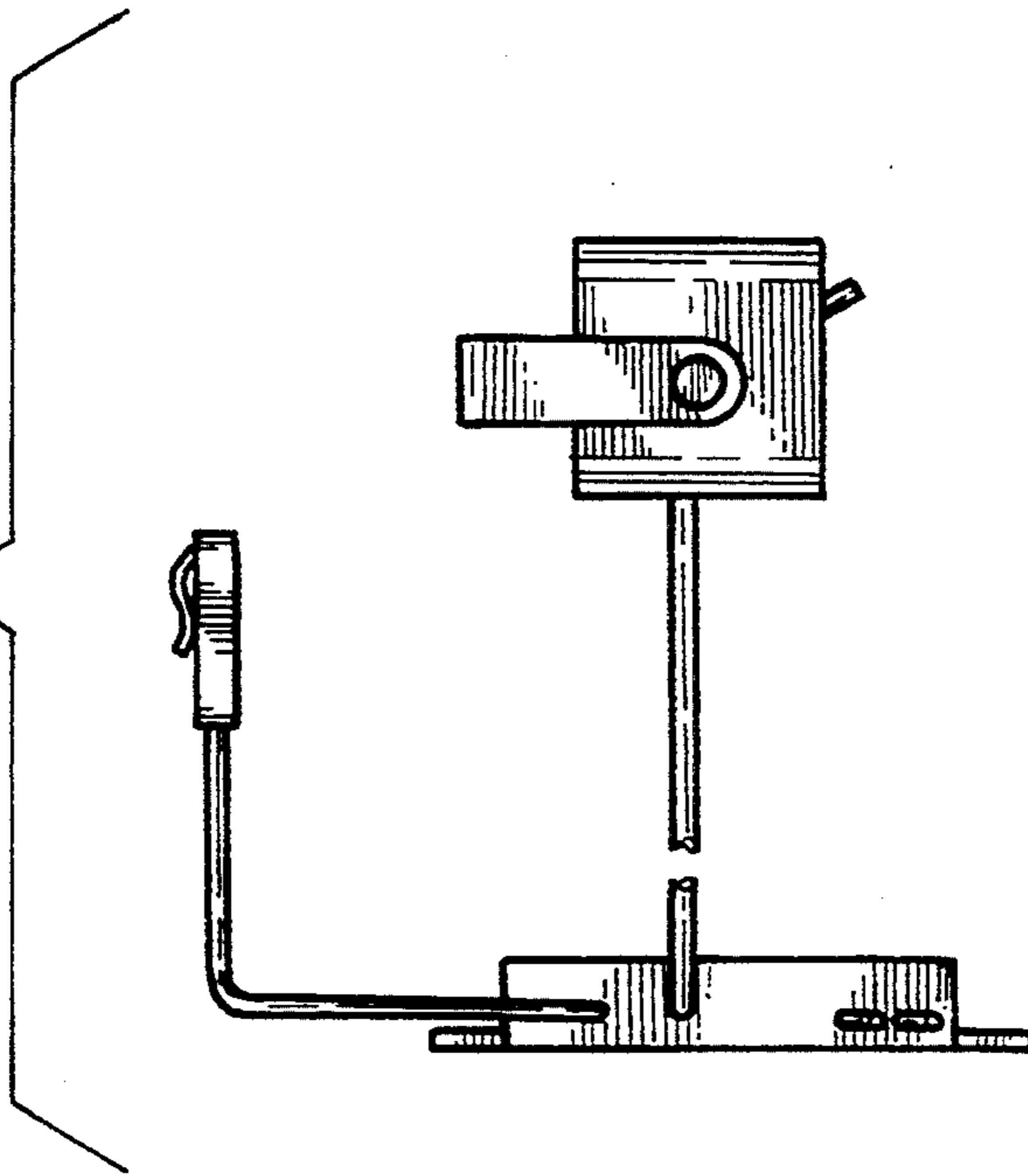
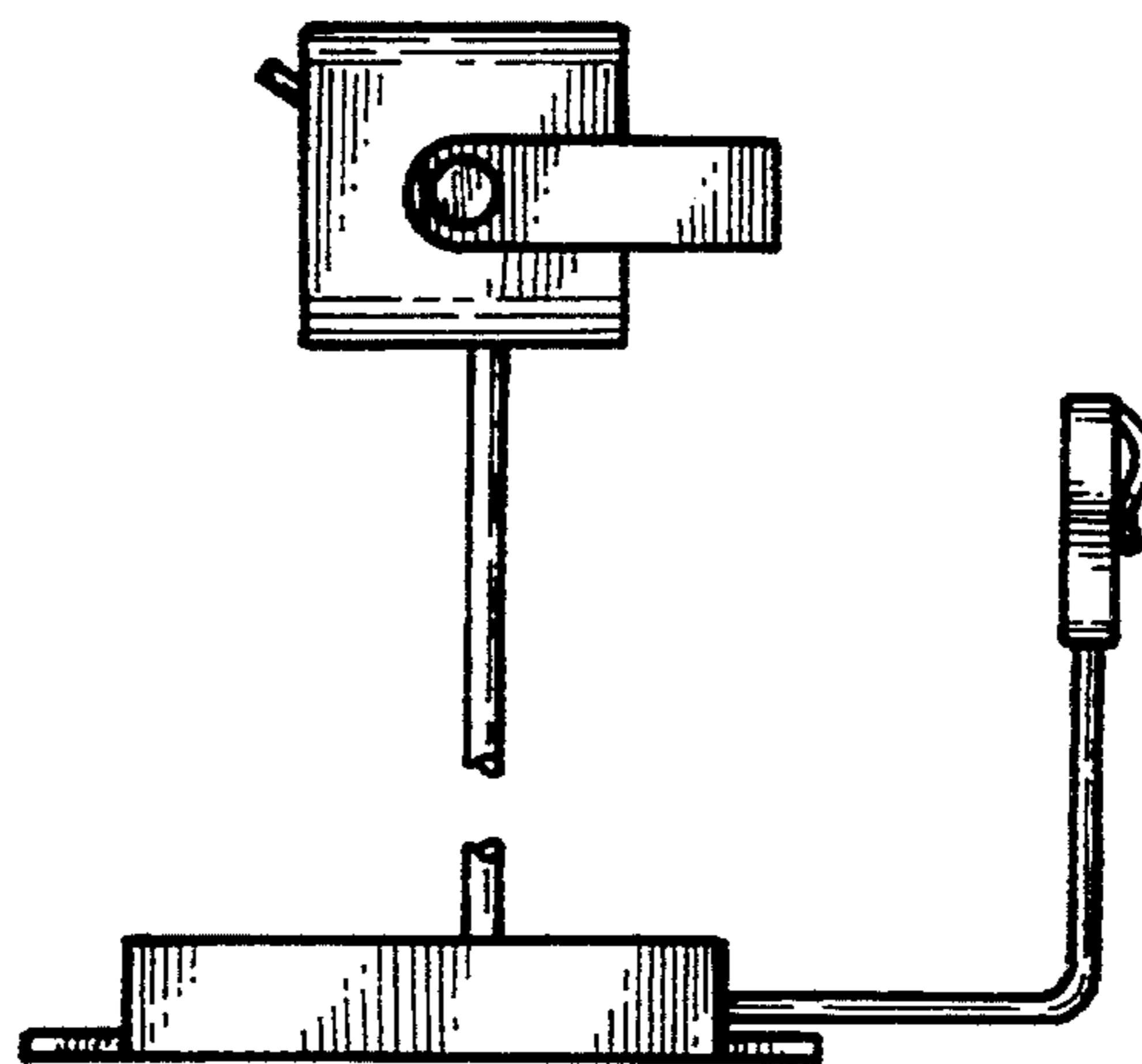


FIG. 5



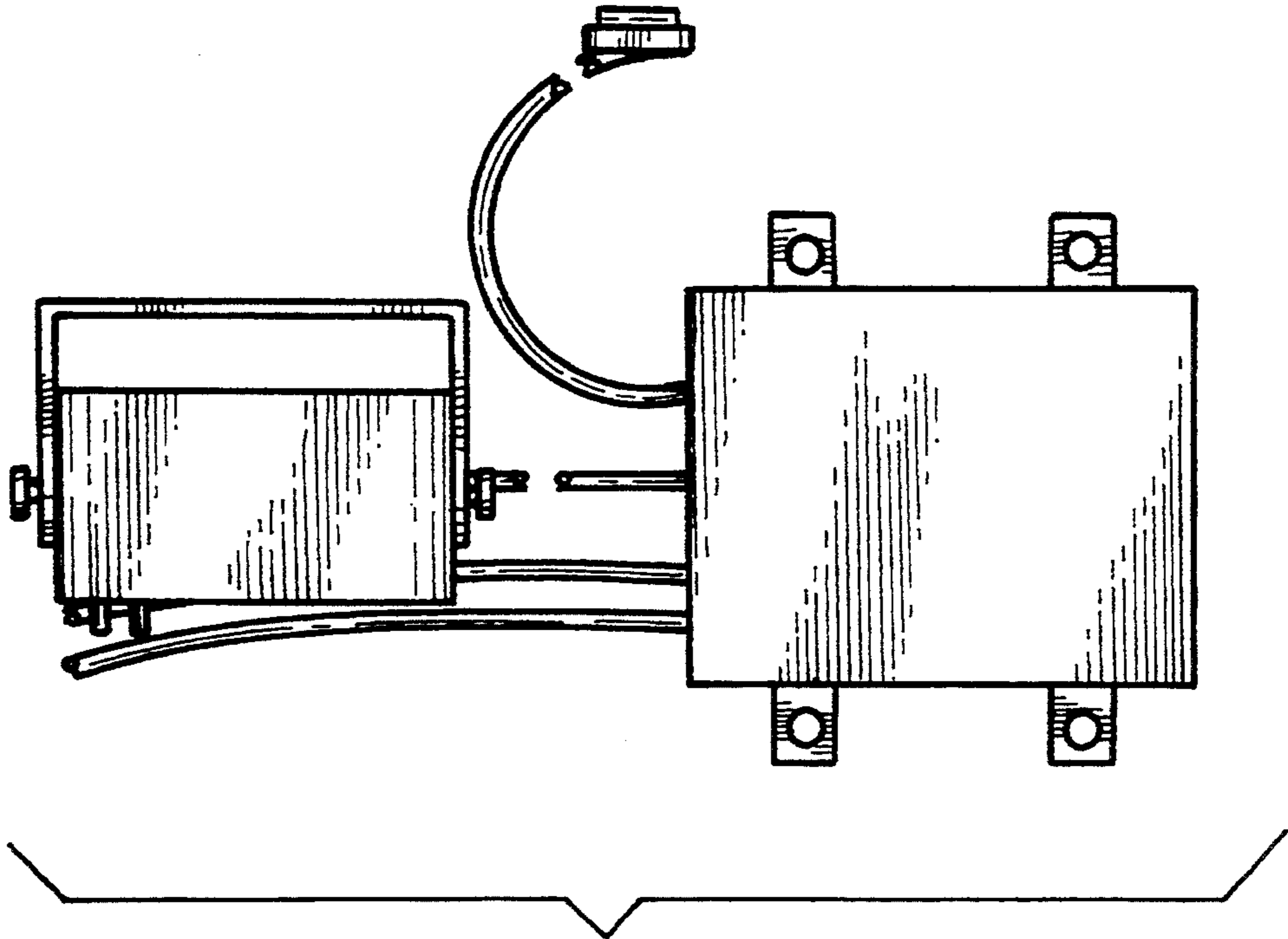


FIG. 6

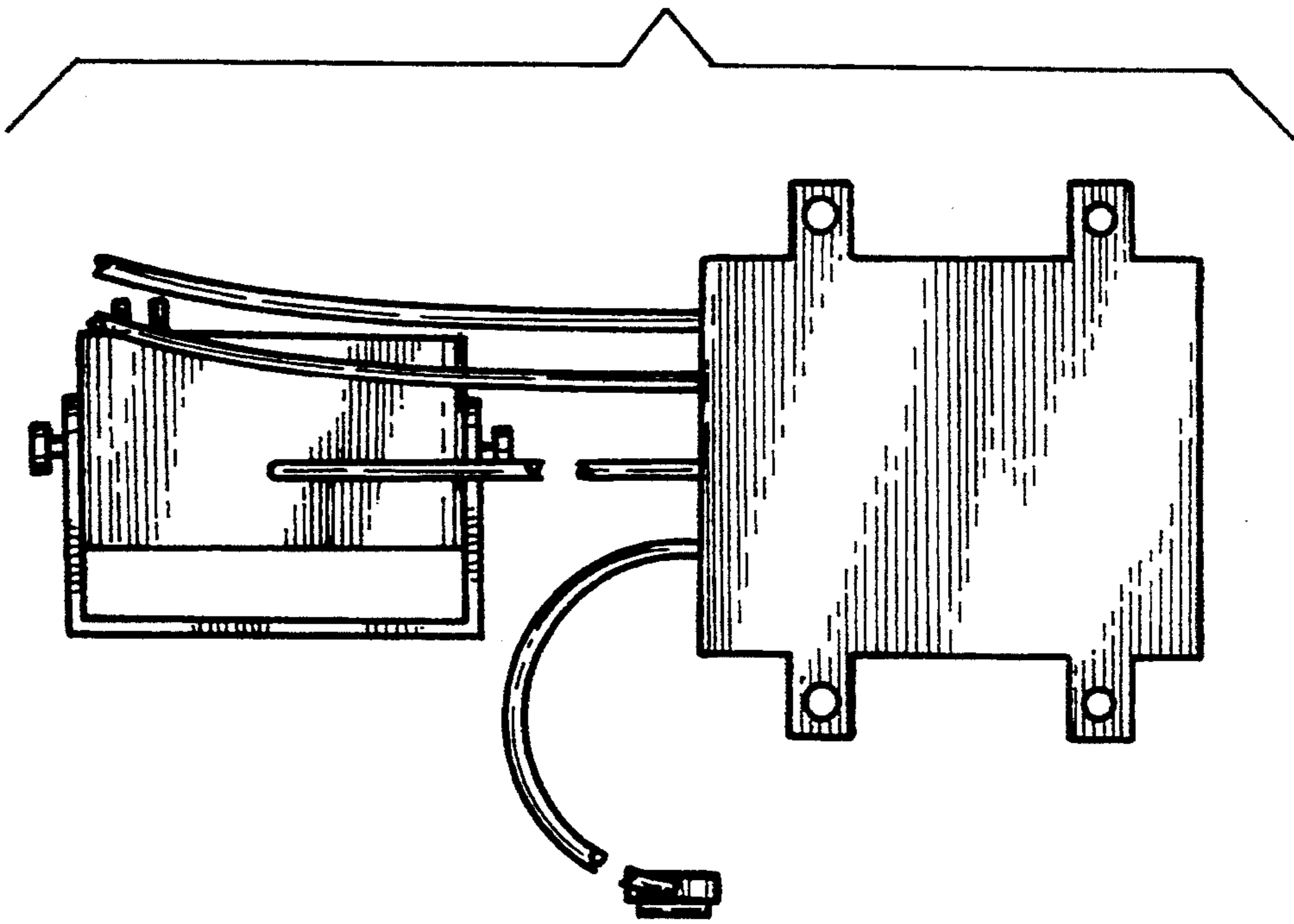


FIG. 7