



US00D360205S

United States Patent [19] Yamazaki

[11] Patent Number: **Des. 360,205**

[45] Date of Patent: **** Jul. 11, 1995**

[54] TELEVISION COMBINED WITH A VIDEO TAPE RECORDER

[75] Inventor: Akira Yamazaki, Chiba, Japan

[73] Assignee: Sony Corporation, Tokyo, Japan

[**] Term: 14 Years

[21] Appl. No.: 23,736

[22] Filed: May 31, 1994

[52] U.S. Cl. D14/129

[58] Field of Search D14/124-134,
D14/299; 348/825, 836, 838

[56] **References Cited**

U.S. PATENT DOCUMENTS

- D. 310,363 9/1990 Shim D14/129
- D. 315,556 3/1991 Lim D14/126
- D. 342,945 1/1994 Park D14/129

D. 351,157 10/1994 Usami et al. D14/129

Primary Examiner—Theodore M. Shooman
Attorney, Agent, or Firm—Jay H. Maioli

[57] **CLAIM**

The ornamental design for a television combined with a video tape recorder, as shown and described.

DESCRIPTION

FIG. 1 is a top, front and right-side perspective view of a television combined with a video tape recorder, showing my new design;

FIG. 2 is a top, front and right-side perspective view shown in the open position;

FIG. 3 is a front elevational view thereof;

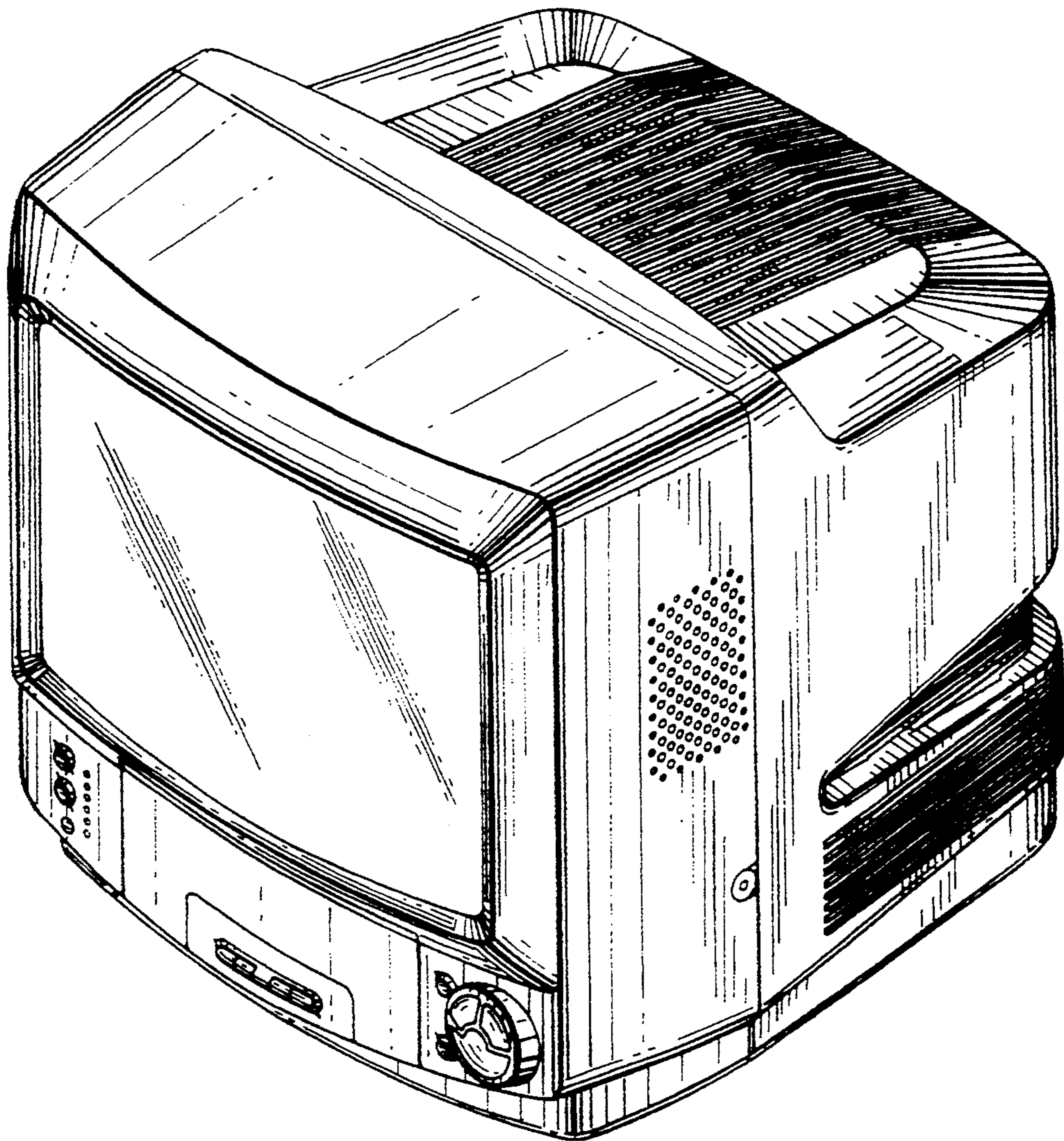
FIG. 4 is a rear elevational view thereof;

FIG. 5 is a left-side elevational view thereof;

FIG. 6 is a right-side elevational view thereof;

FIG. 7 is a top plan view thereof; and,

FIG. 8 is a bottom plan view thereof.



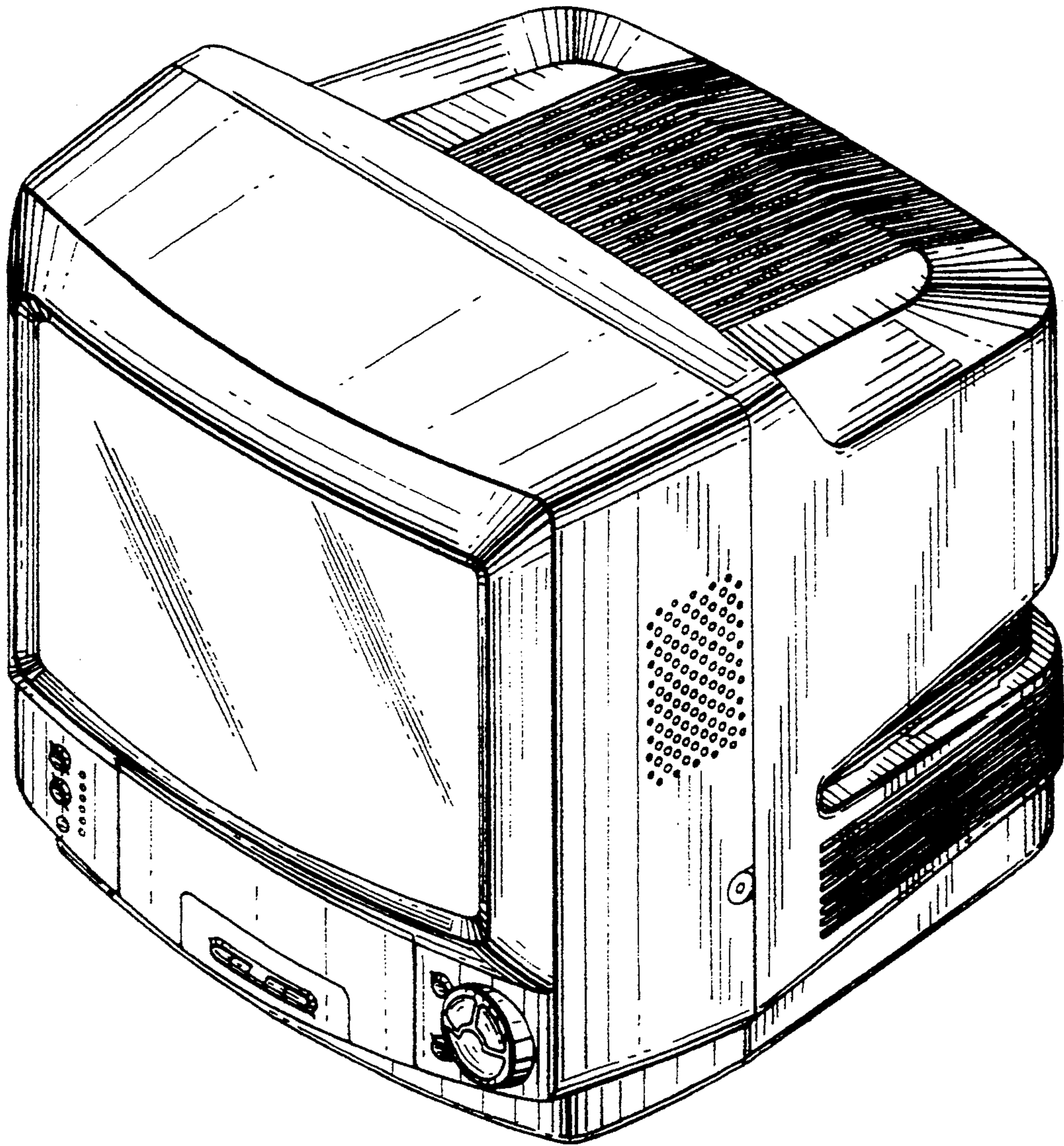


FIG. 1

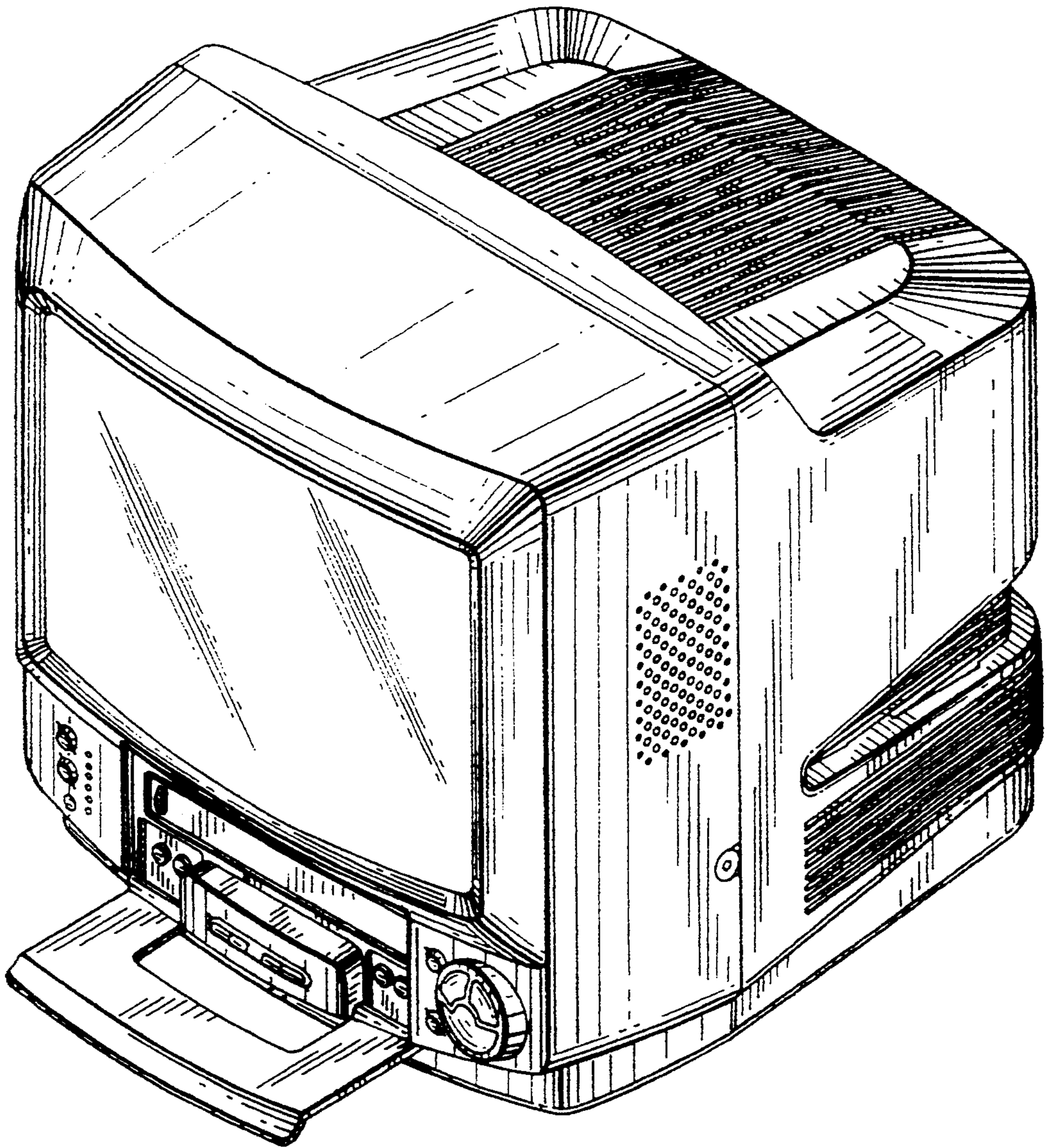


FIG. 2

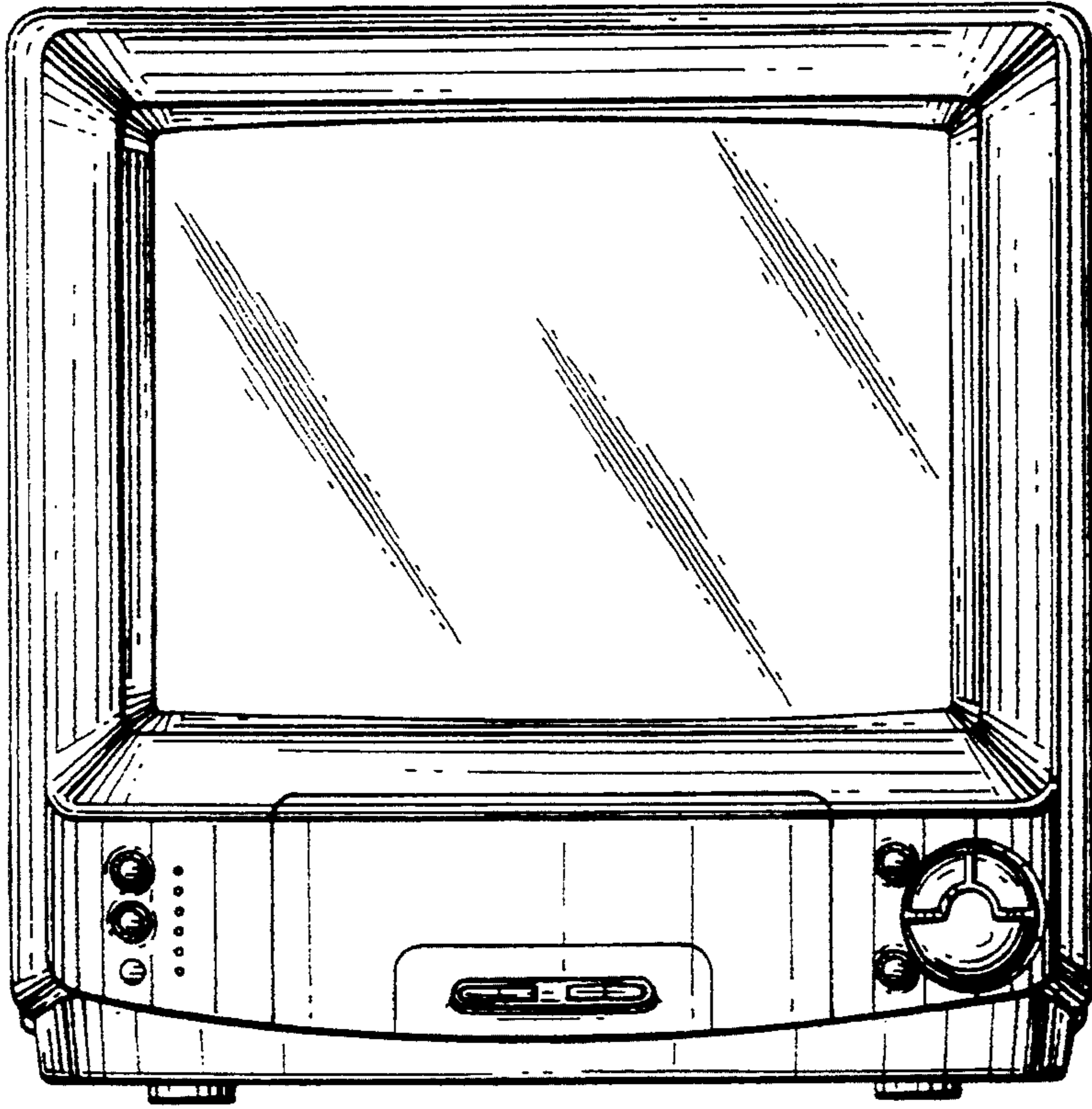


FIG. 3

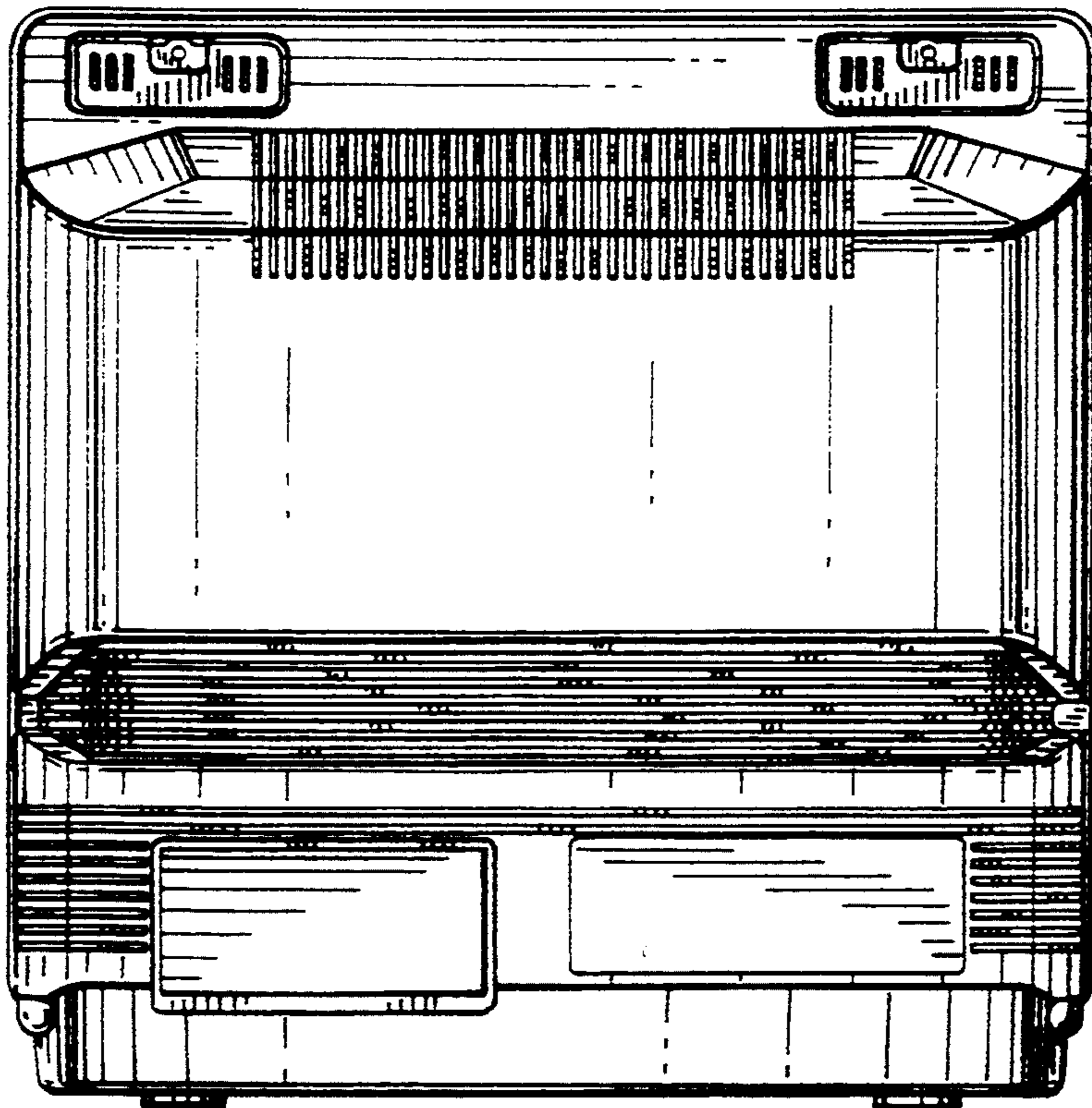


FIG. 4

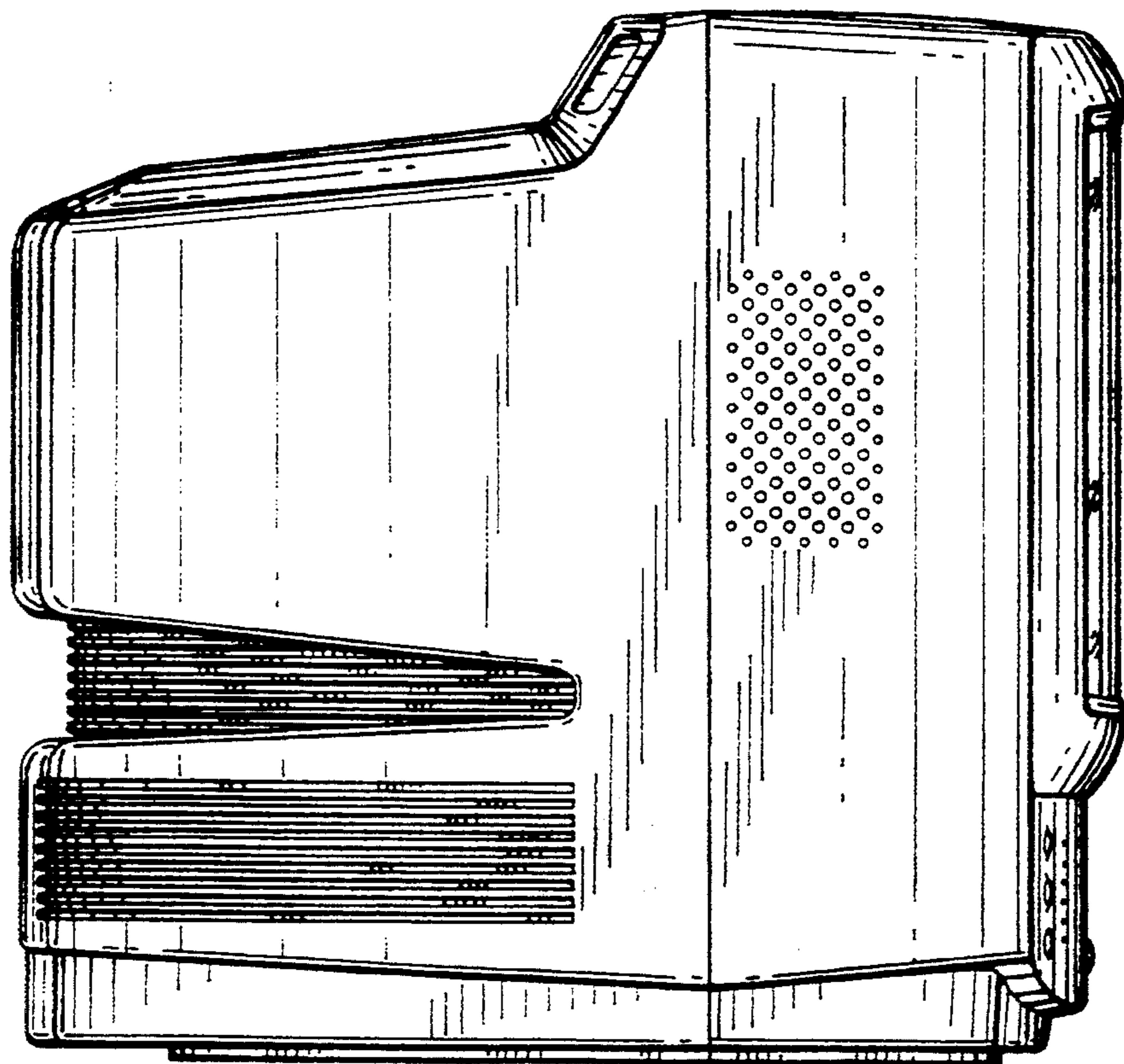


FIG. 5

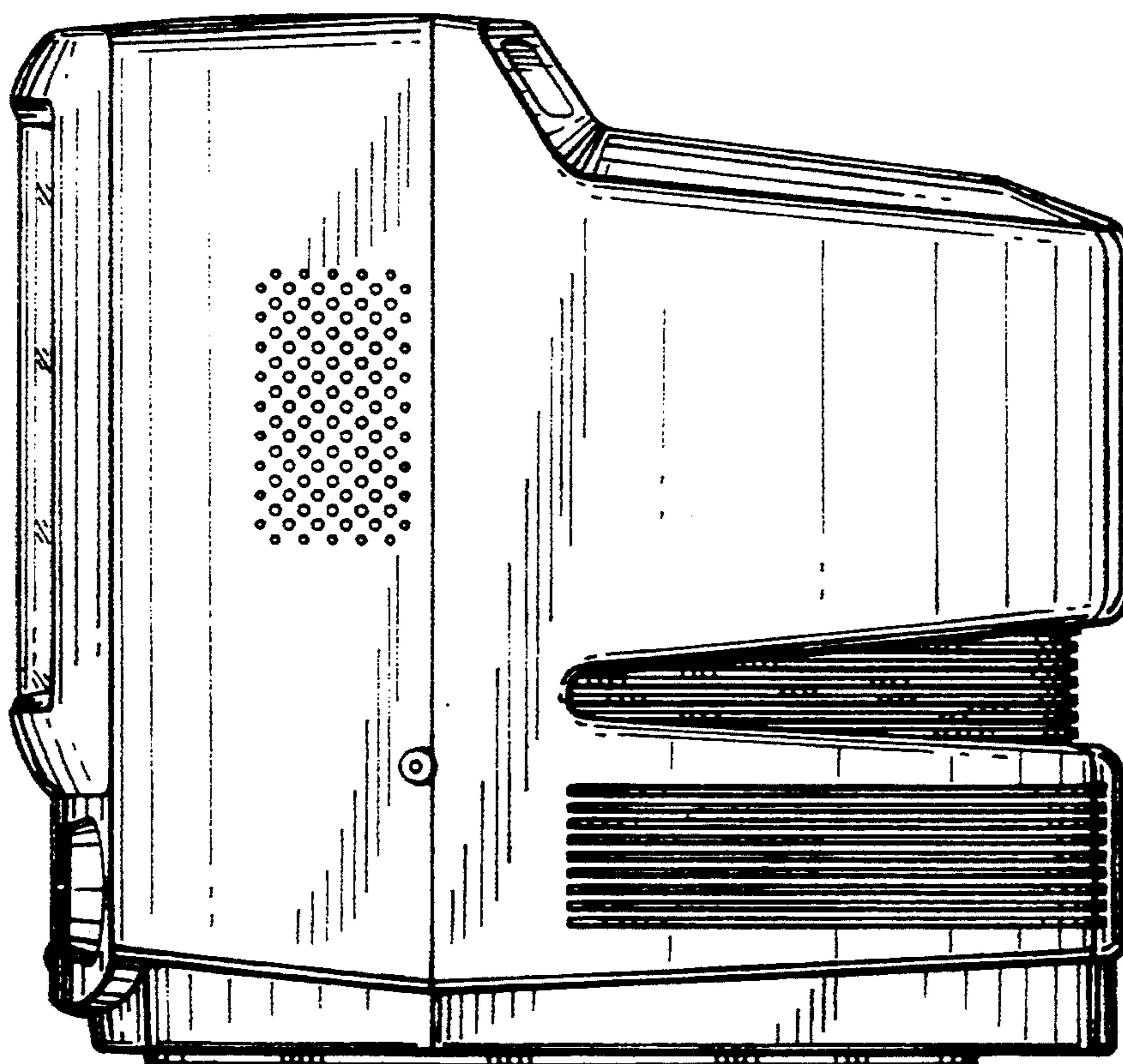


FIG. 6

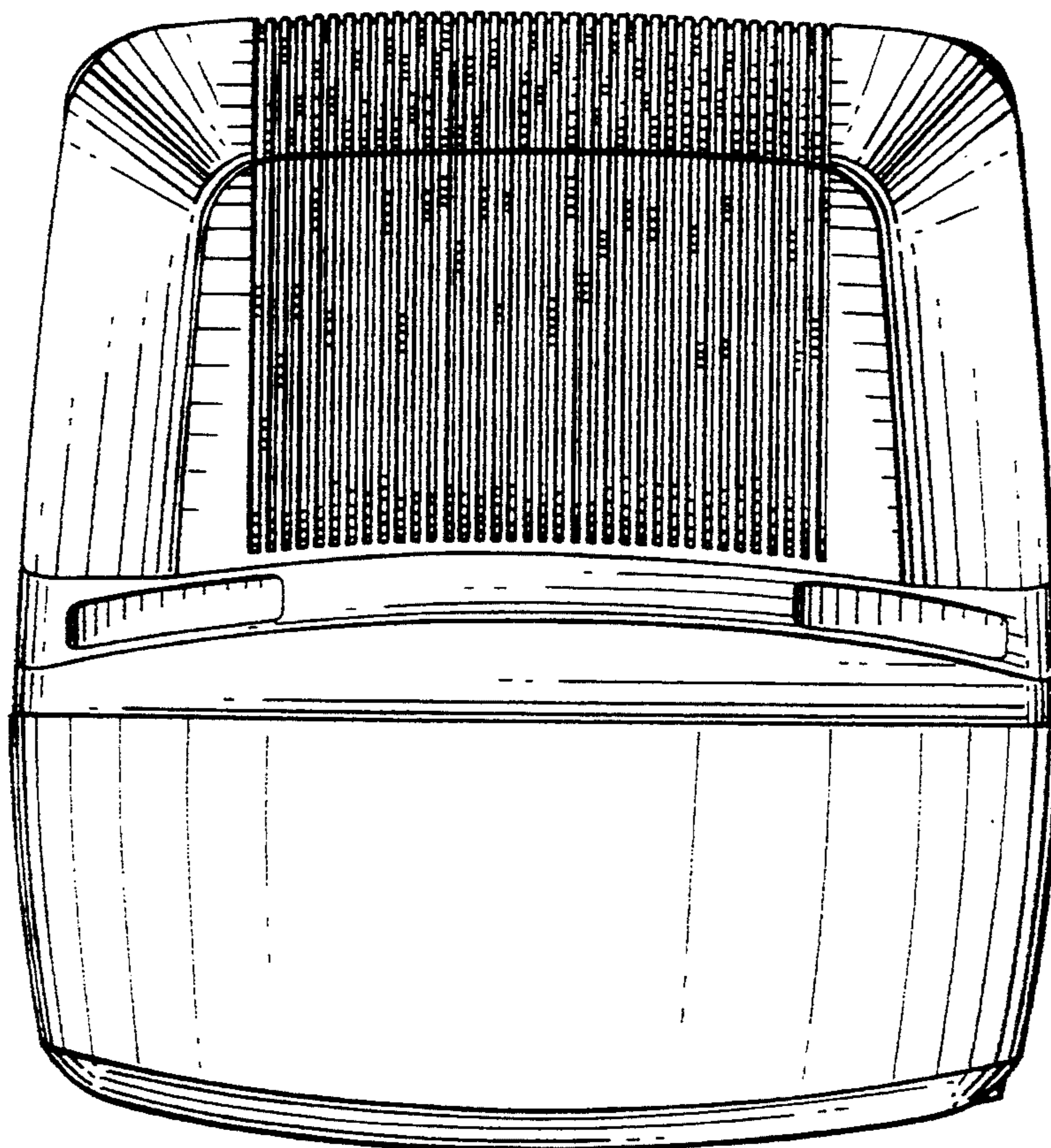


FIG. 7

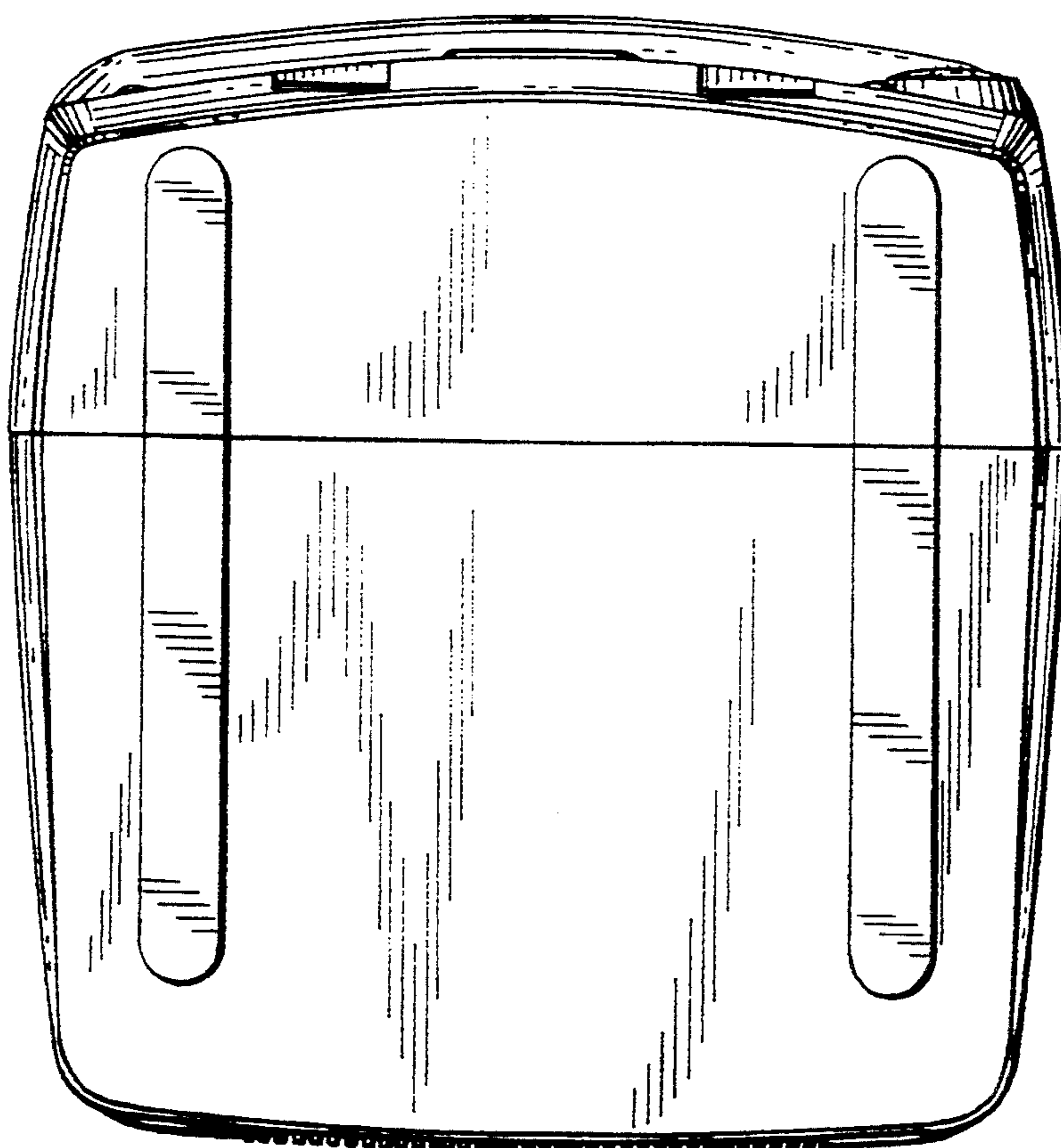


FIG. 8