



US00D360201S

United States Patent [19]

[11] Patent Number: **Des. 360,201**

Nelson et al.

[45] Date of Patent: **** Jul. 11, 1995**

[54] **KEYPAD AND DISPLAY FOR AN IMAGER**

D. 302,428	7/1989	Klebba	D14/115
D. 332,775	1/1993	Cavanaugh	D14/100
D. 345,548	3/1994	Giebler et al.	D14/100
4,799,083	1/1989	Knodt	D14/114 X

[75] Inventors: **Bruce E. Nelson**, Minneapolis; **Mark J. Giebler**, New Scandia, both of Minn.

Primary Examiner—Freda S. Nunn
Attorney, Agent, or Firm—Gary L. Griswold; Walter N. Kirn; William D. Bauer

[73] Assignee: **Minnesota Mining and Manufacturing Company**, St. Paul, Minn.

[57] **CLAIM**

[**] Term: **14 Years**

The ornamental design for a keypad and display for an imager, as shown and described.

[21] Appl. No.: **22,586**

DESCRIPTION

[22] Filed: **May 9, 1994**

[52] U.S. Cl. **D14/115**

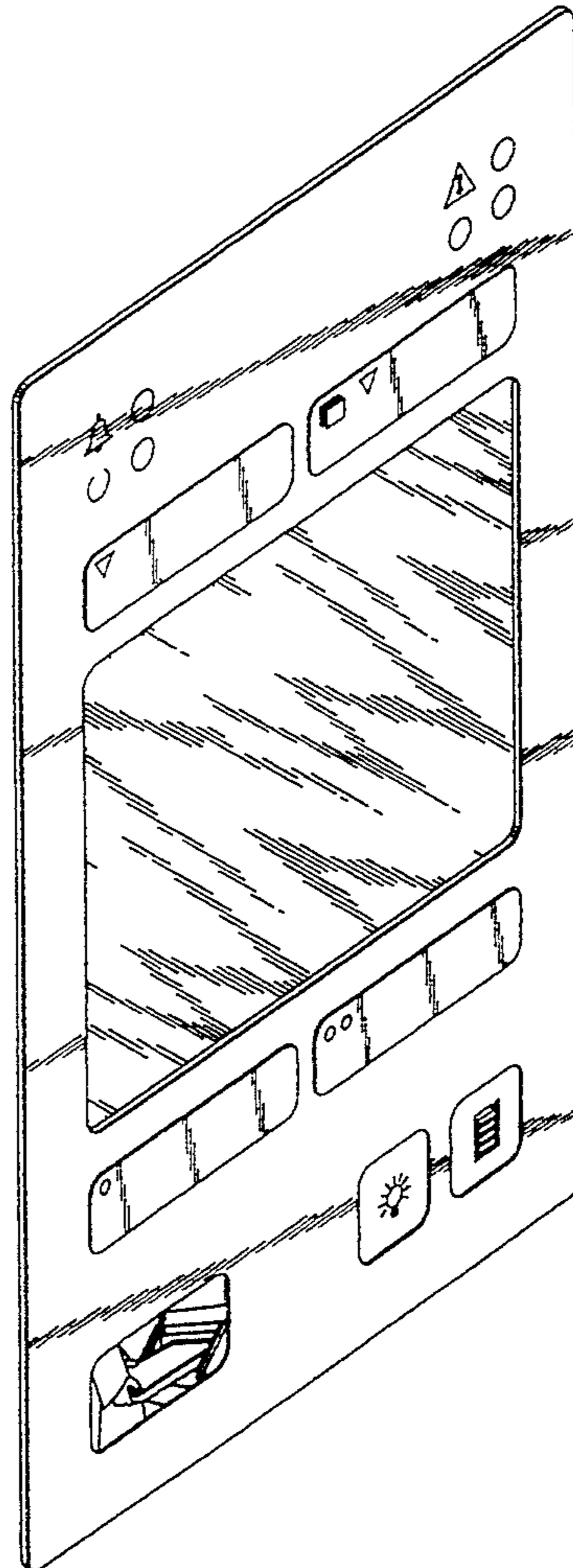
[58] **Field of Search** D14/100, 101, 106, 113, D14/115; D18/1, 2, 7, 11, 12; 235/145 A, 145 R; 200/5 A, 5 R, 6 A, 6 R; 345/168; 341/22, 23; 364/708.1; 400/472, 479, 484-486, 488, 489, 682

FIG. 1 is an isometric view of a keypad and display for an imager showing our new design;
 FIG. 2 is a front elevational view thereof;
 FIG. 3 is a left side elevational view thereof the right side being a mirror image;
 FIG. 4 is a rear elevational view thereof;
 FIG. 5 is a bottom plan view thereof the top being a mirror image; and,
 FIG. 6 is an isometric view thereof wherein the keypad is installed in an imager which is shown in broken lines for illustrative purposes only and forms no part of the claimed design.

[56] **References Cited**

U.S. PATENT DOCUMENTS

D. 290,707	7/1987	Allen et al.	D14/115
D. 298,627	11/1988	Soza et al.	D14/105



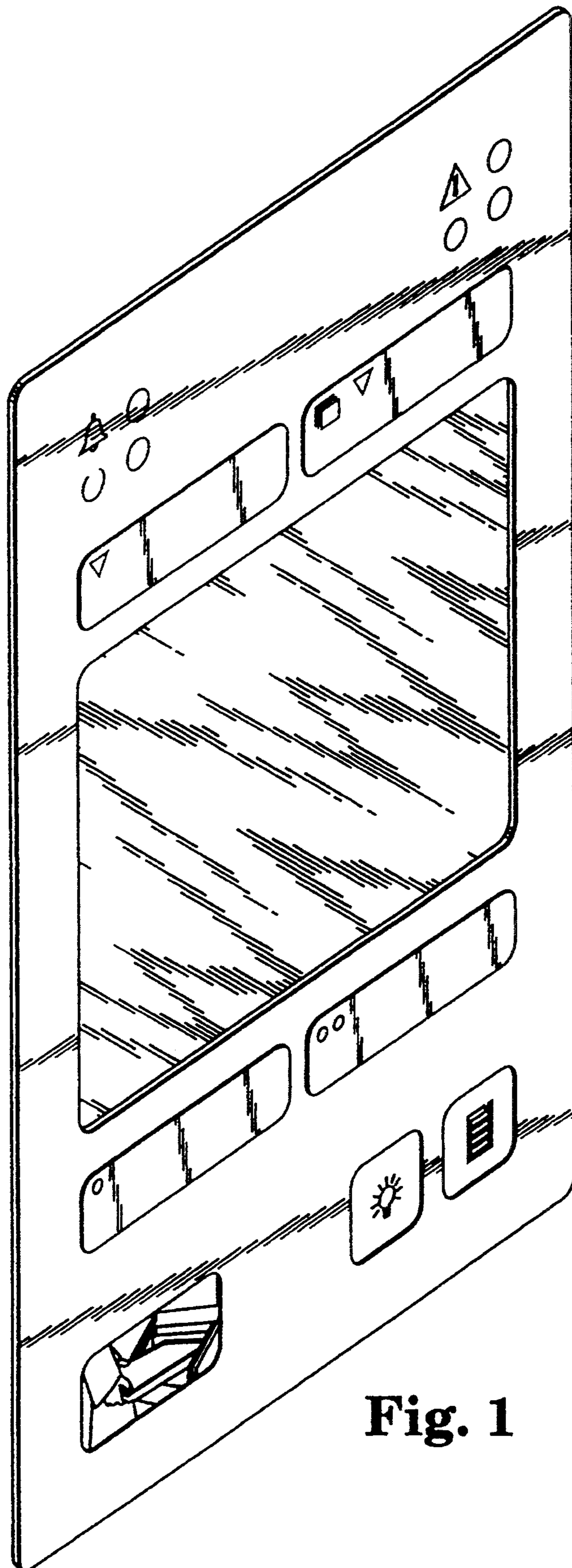


Fig. 1

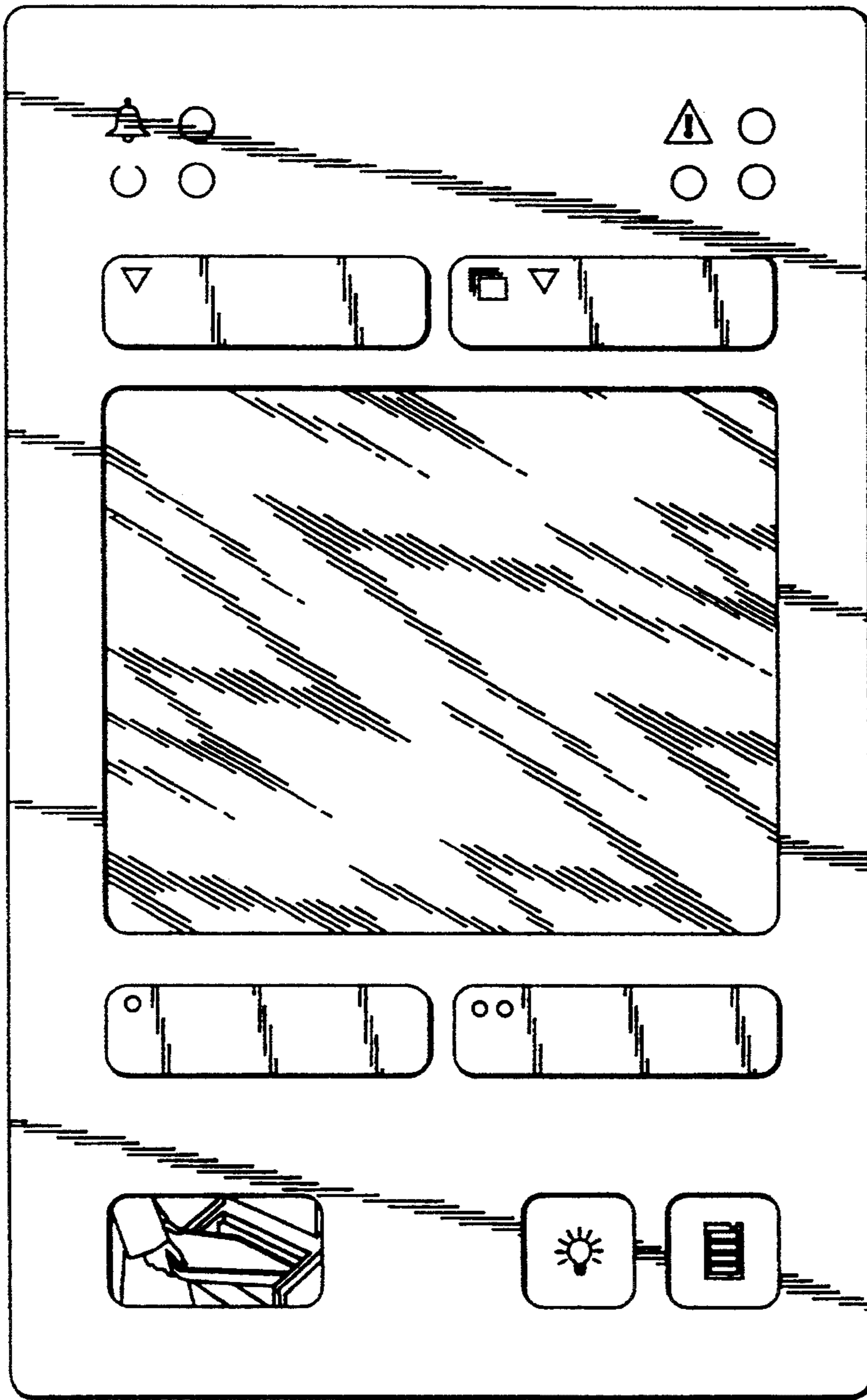


Fig. 2



Fig. 3

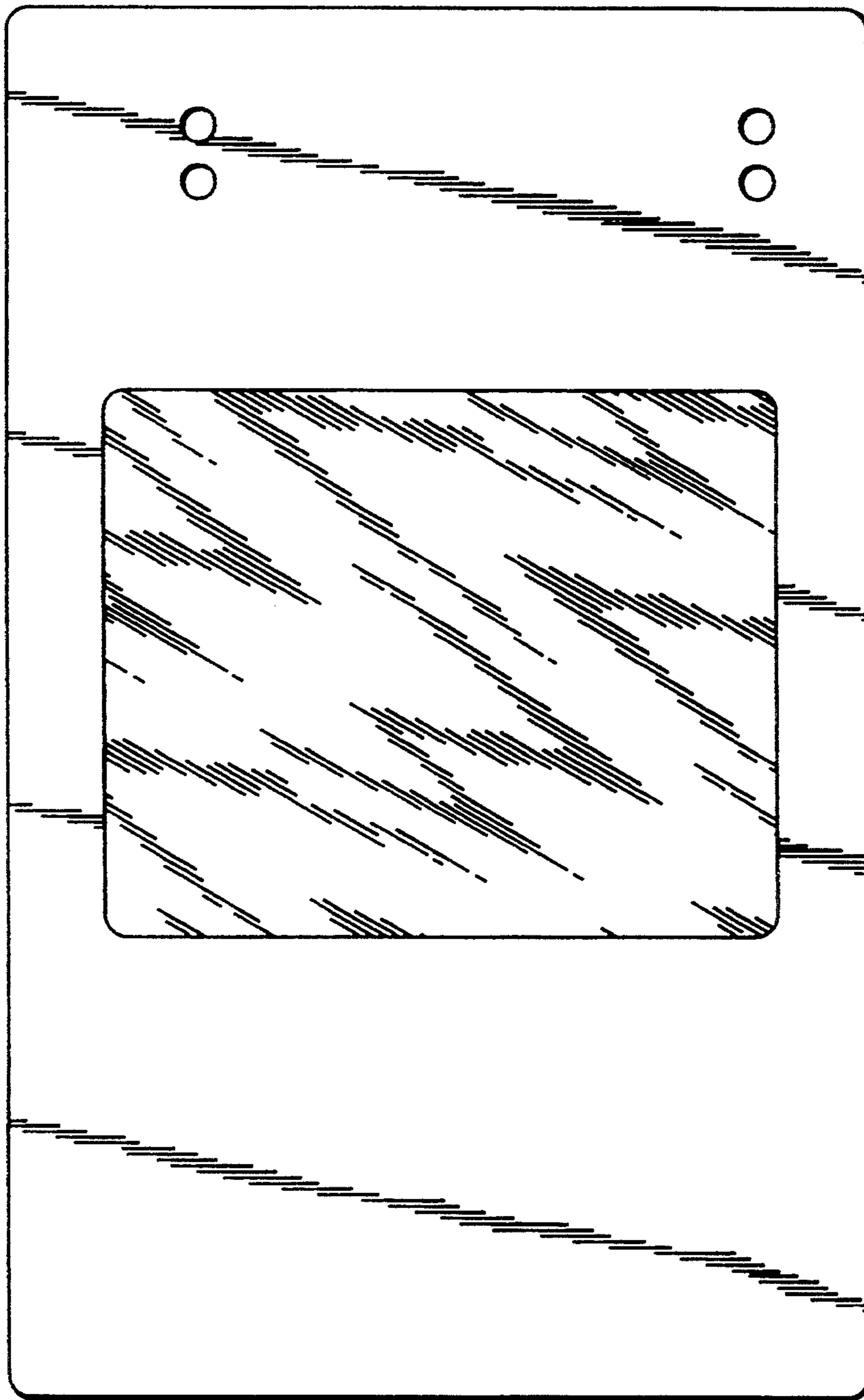


Fig. 4



Fig. 5

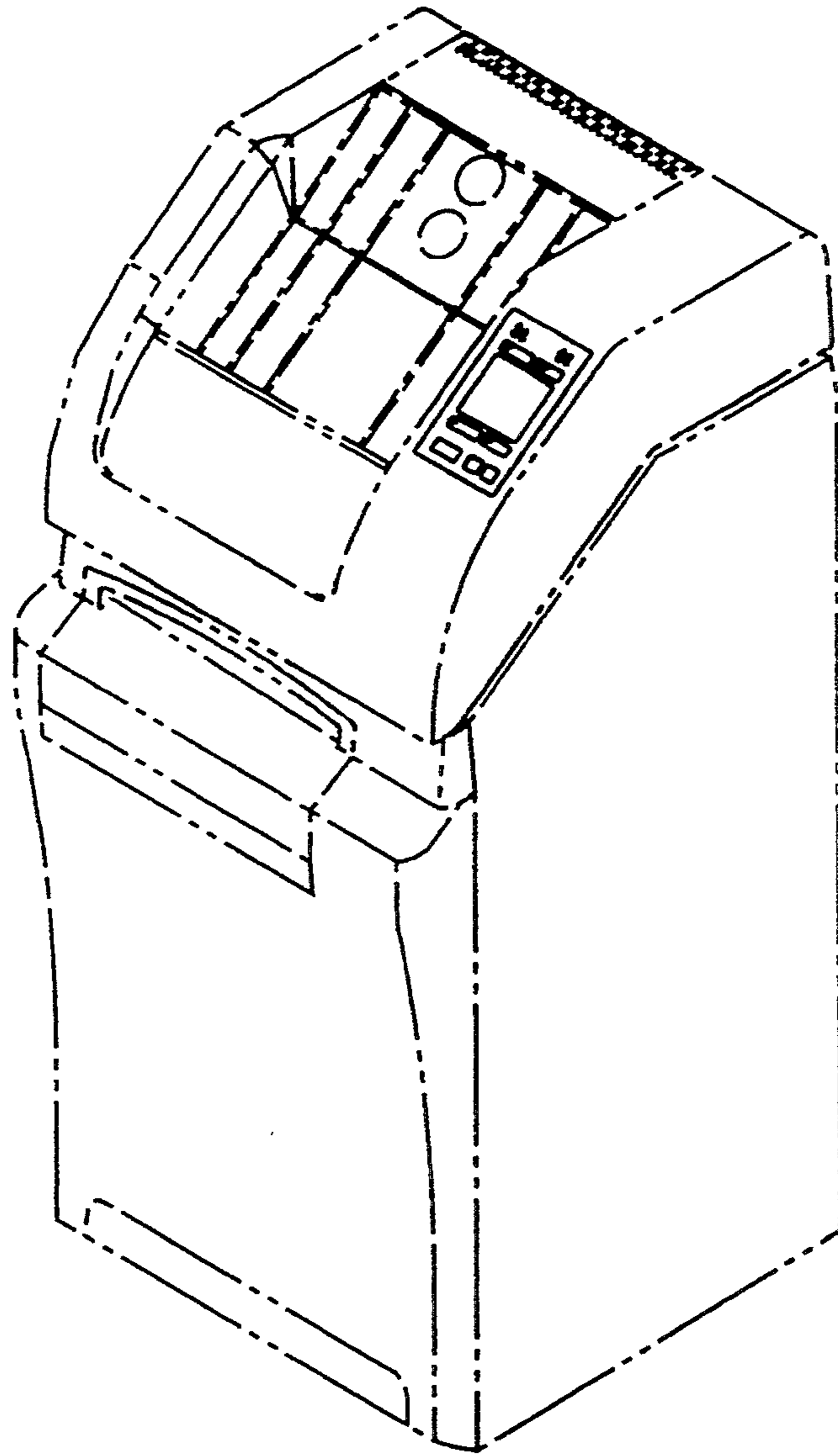


Fig. 6