



US00D360200S

United States Patent [19]

[11] Patent Number: **Des. 360,200**

Franz

[45] Date of Patent: **** Jul. 11, 1995**

[54] **COMPUTER KEYBOARD SPACEBAR WITH INTERGRATED POINTING STICK FOR TYPING AND POINTING OPERATIONS**

[75] Inventor: **Patrick J. Franz**, Portland, Oreg.

[73] Assignee: **Home Row Inc.**, Clackamas, Oreg.

[**] Term: **14 Years**

[21] Appl. No.: **11,676**

[22] Filed: **Aug. 9, 1993**

[52] U.S. Cl. **D14/115; D14/114**

[58] Field of Search **D14/100, 101, 106, 115, D14/107; D18/1, 2, 7, 11, 12; 235/145 A, 145 R; 200/5 A, 5 R, 6 A, 6 R; 345/167, 168, 160, 161; 341/22, 23; 364/708.1; 400/472, 479, 484-486, 488, 489, 682; 361/683**

[56] **References Cited**

U.S. PATENT DOCUMENTS

D. 245,109	7/1977	Yoshioka	361/683	X
D. 340,696	10/1993	Barrett	D14/107	X
4,896,003	1/1990	Hsieh	200/5 A	X
5,189,403	2/1993	Franz et al.	340/711	
5,294,121	3/1994	Chiang	200/5 A	X
5,343,219	8/1994	DuBosque, Jr.	200/6 A	X

FOREIGN PATENT DOCUMENTS

PCT/US90/-
06831 11/1990 WIPO .

OTHER PUBLICATIONS

IBM Technical Disclosure Bulletin vol. 22 No. 7 Dec.

1979 *Dual Function Key for Upper and Lower Print Control* pp. 2663-2664.

IBM Technical Disclosure Bulletin vol. 28 No. 5 Oct. 1985 *Smart Key* pp. 1859-1860.

IBM Technical Disclosure Bulletin vol. 33 No. 9 Feb. 1991 *Enlarged Cursor Key With Trackball* pp. 428-430.

Toshiba Brochure 1993 T3400CT *Computer with Pointing Device*.

Primary Examiner—Freda S. Nunn

Attorney, Agent, or Firm—Marger, Johnson McCollom & Stolowitz

[57] **CLAIM**

The ornamental design for a computer keyboard spacebar with integrated pointing stick for typing and pointing operations, as shown and described.

DESCRIPTION

FIG. 1 is a perspective view of a computer keyboard spacebar with integrated pointing stick for typing and pointing operations;

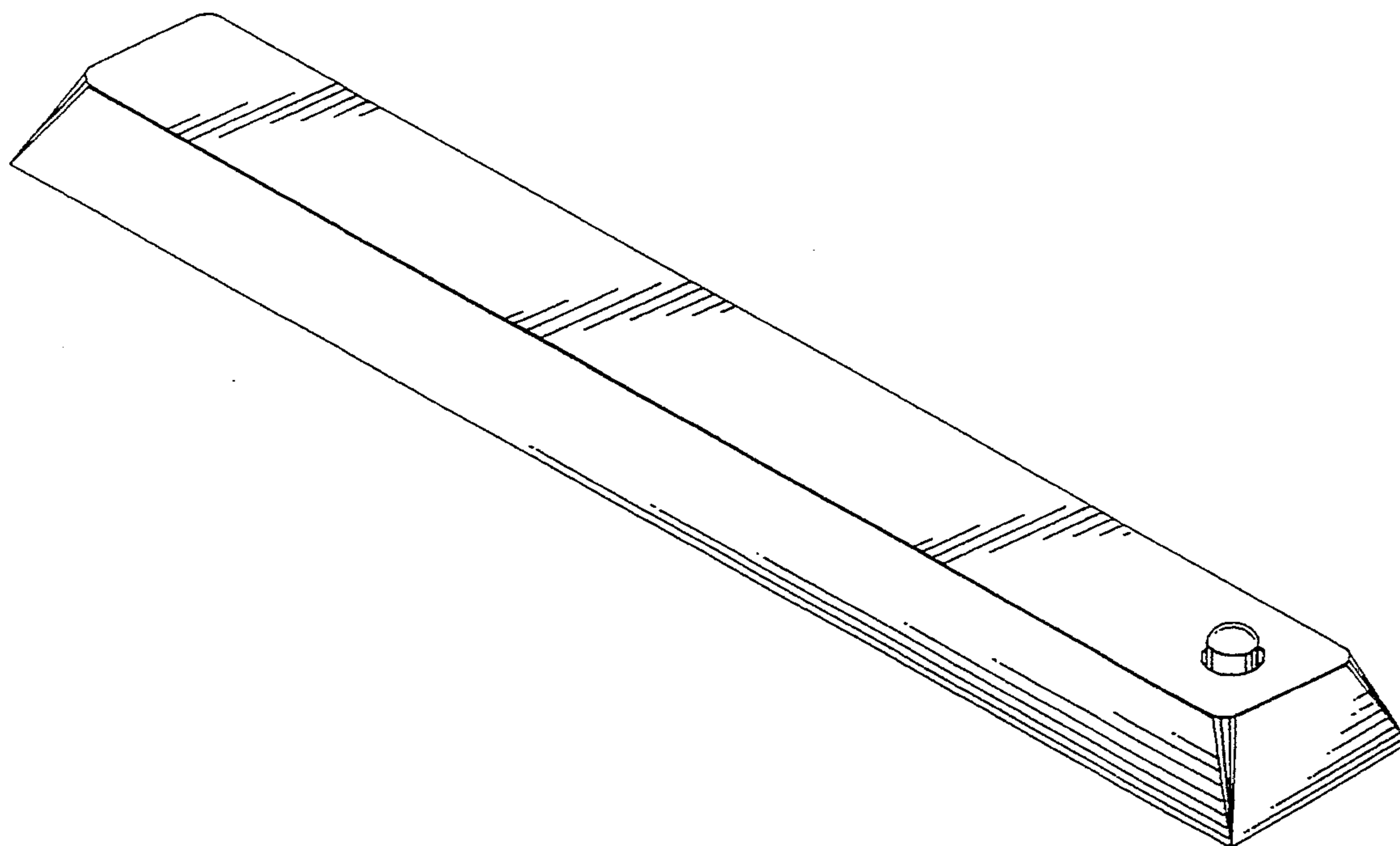
FIG. 2 is a rear elevational view of the computer keyboard spacebar of FIG. 1;

FIG. 3 is a side view of the computer keyboard spacebar of FIG. 1 the opposite side is a mirror image;

FIG. 4 is a front elevational view of the computer keyboard spacebar of FIG. 1;

FIG. 5 is a top view of the computer keyboard spacebar of FIG. 1 being disposed in a computer keyboard which is shown in broken lines for illustrative purposes only and forms no part of the claimed design; and,

FIG. 6 is a bottom view of the computer keyboard spacebar of FIG. 1.



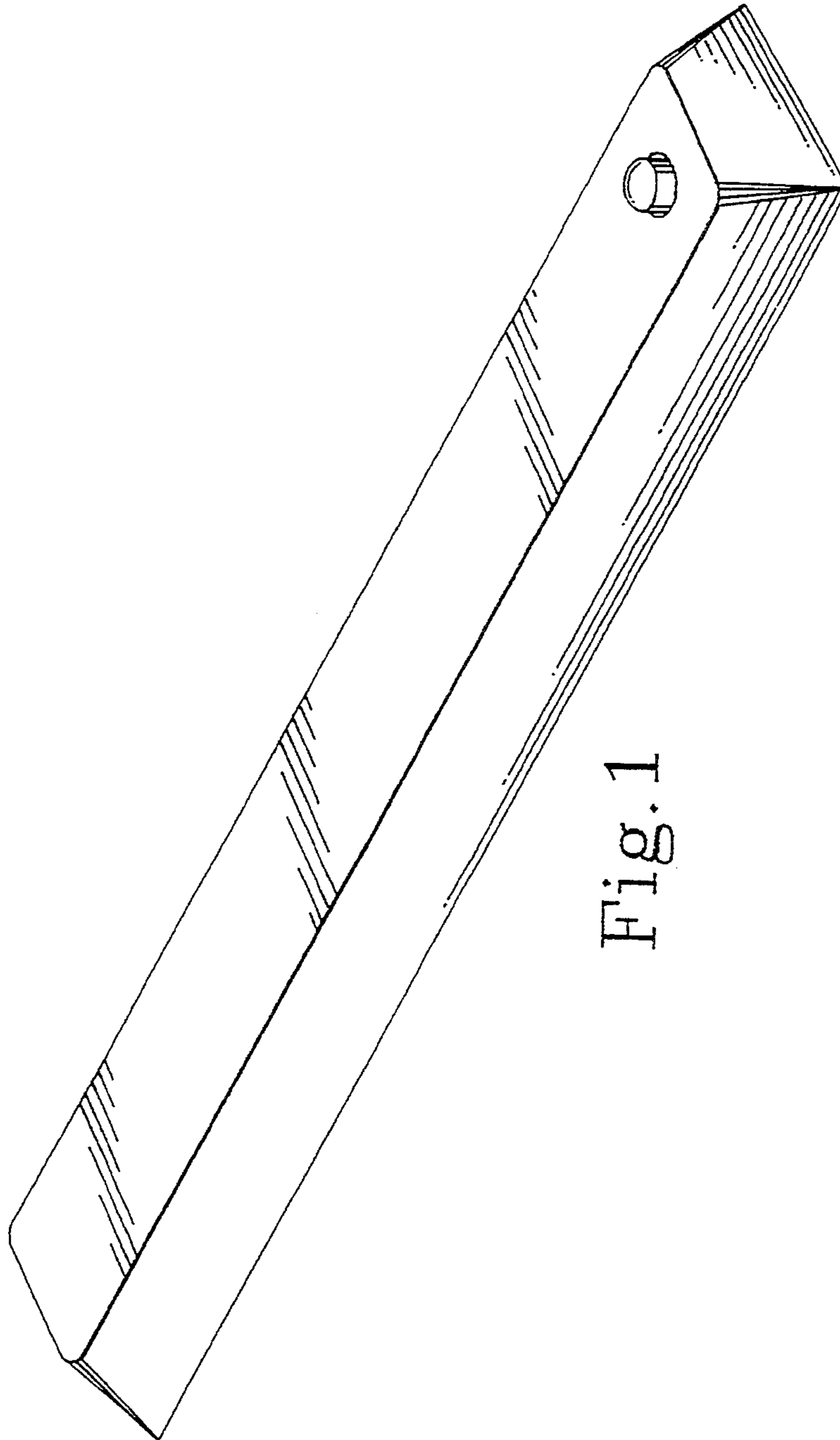


Fig. 1

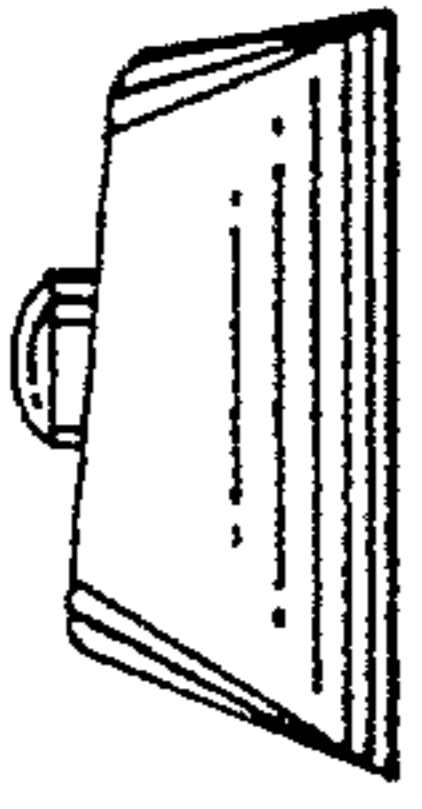


Fig. 3



Fig. 2



Fig. 4

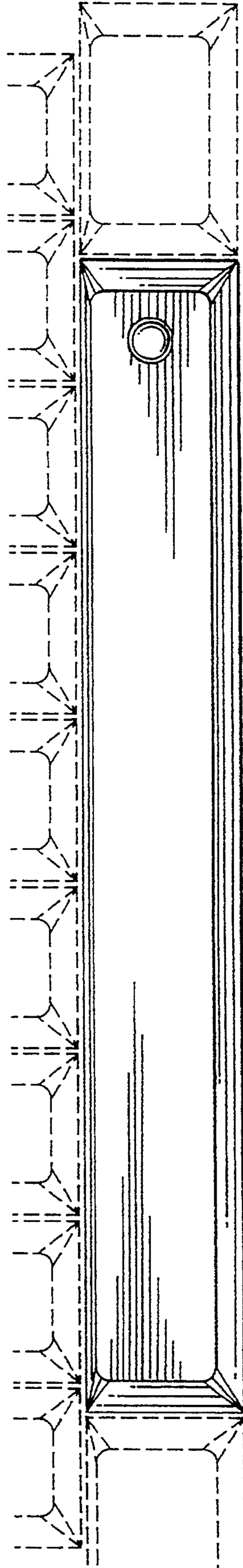


Fig. 5

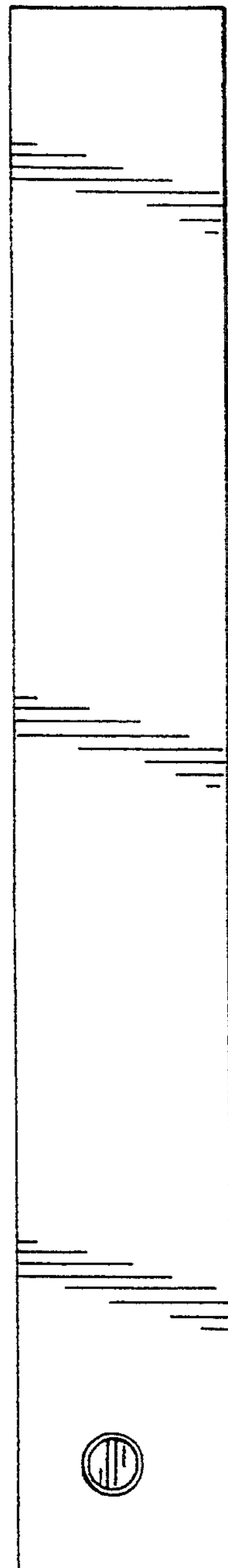


Fig. 6