



US00D360199S

United States Patent [19]

Shu-Ying

[11] Patent Number: **Des. 360,199**

[45] Date of Patent: **** Jul. 11, 1995**

[54] ANTI-GLARE MONITOR FILTER

[76] Inventor: **Chen Shu-Ying**, Suite, 11F. No. 95-8. Chang Ping Road. Secl., Taichung, Taiwan

[**] Term: **14 Years**

[21] Appl. No.: **10,886**

[22] Filed: **Jul. 21, 1993**

[52] U.S. Cl. **D14/114; D14/239**

[58] Field of Search **D14/114, 239; D18/12, D18/18, 22; 348/832-835; 359/599, 601, 608-610, 614, 894**

[56] References Cited

U.S. PATENT DOCUMENTS

D. 277,182	1/1985	Matsuda et al.	D14/239
4,468,702	8/1984	Jandrell	348/832 X
4,567,122	1/1986	Baldry et al.	359/614 X
4,652,085	3/1987	Selling et al.	348/835 X
5,320,318	6/1994	Chen	359/609 X

FOREIGN PATENT DOCUMENTS

0077912 4/1991 Japan 359/601

OTHER PUBLICATIONS

Richard Young Journal, 1989, p. 109. CP filters Model #CP-50, CP-50SC & CP-70.

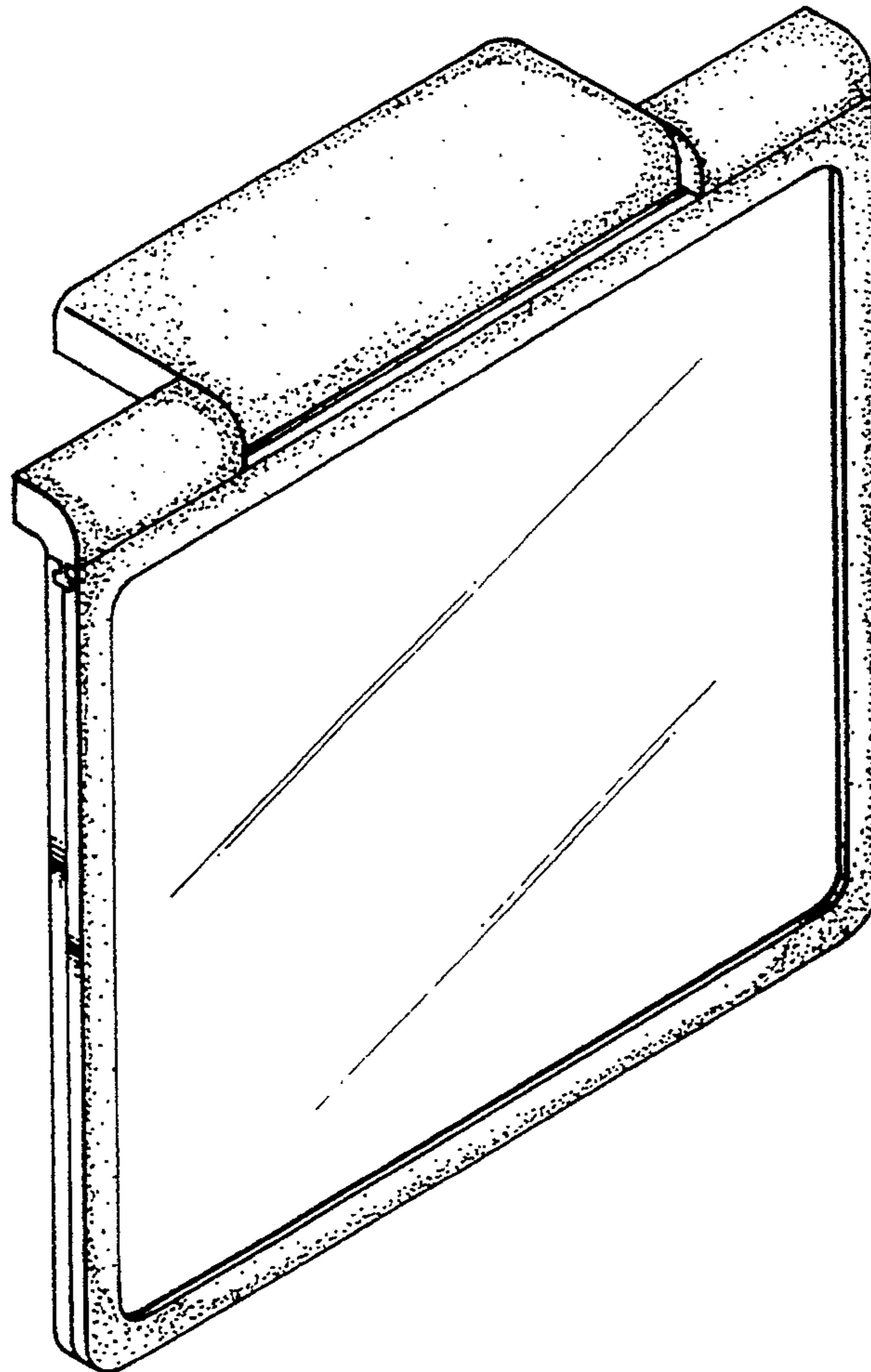
Primary Examiner—Terry A. Wallace
Assistant Examiner—Nanda Bondade

[57] CLAIM

The ornamental design for a anti-glare monitor filter, as shown.

DESCRIPTION

FIG. 1 is a perspective view of a anti-glare monitor filter showing my new design;
FIG. 2 is a front elevational view thereof;
FIG. 3 is a rear elevational view thereof;
FIG. 4 is a top plan view thereof;
FIG. 5 is a bottom plan view thereof;
FIG. 6 is a left side elevational view thereof; and,
FIG. 7 is a right side elevational view thereof.



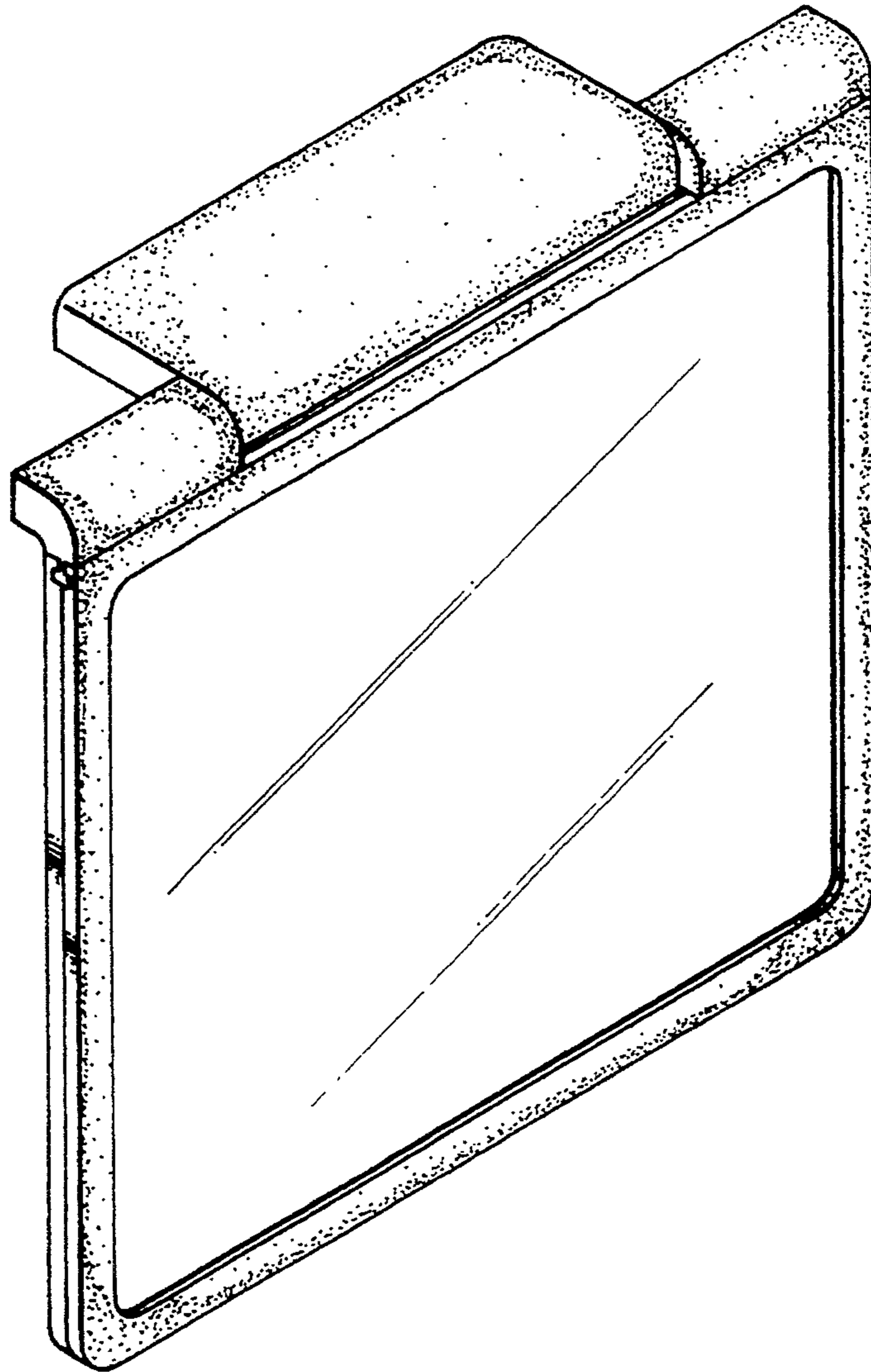


FIG. 1

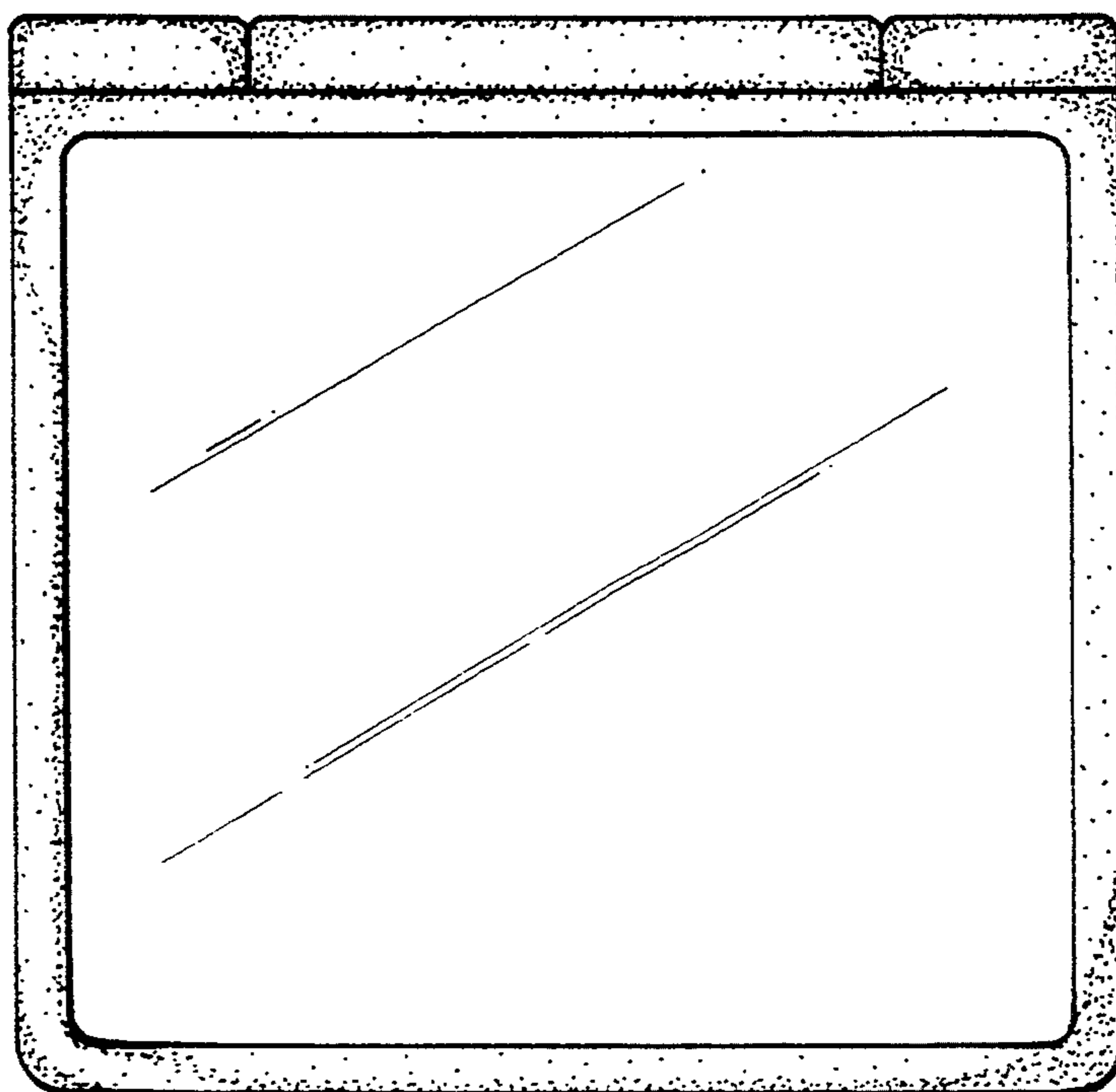


FIG. 2

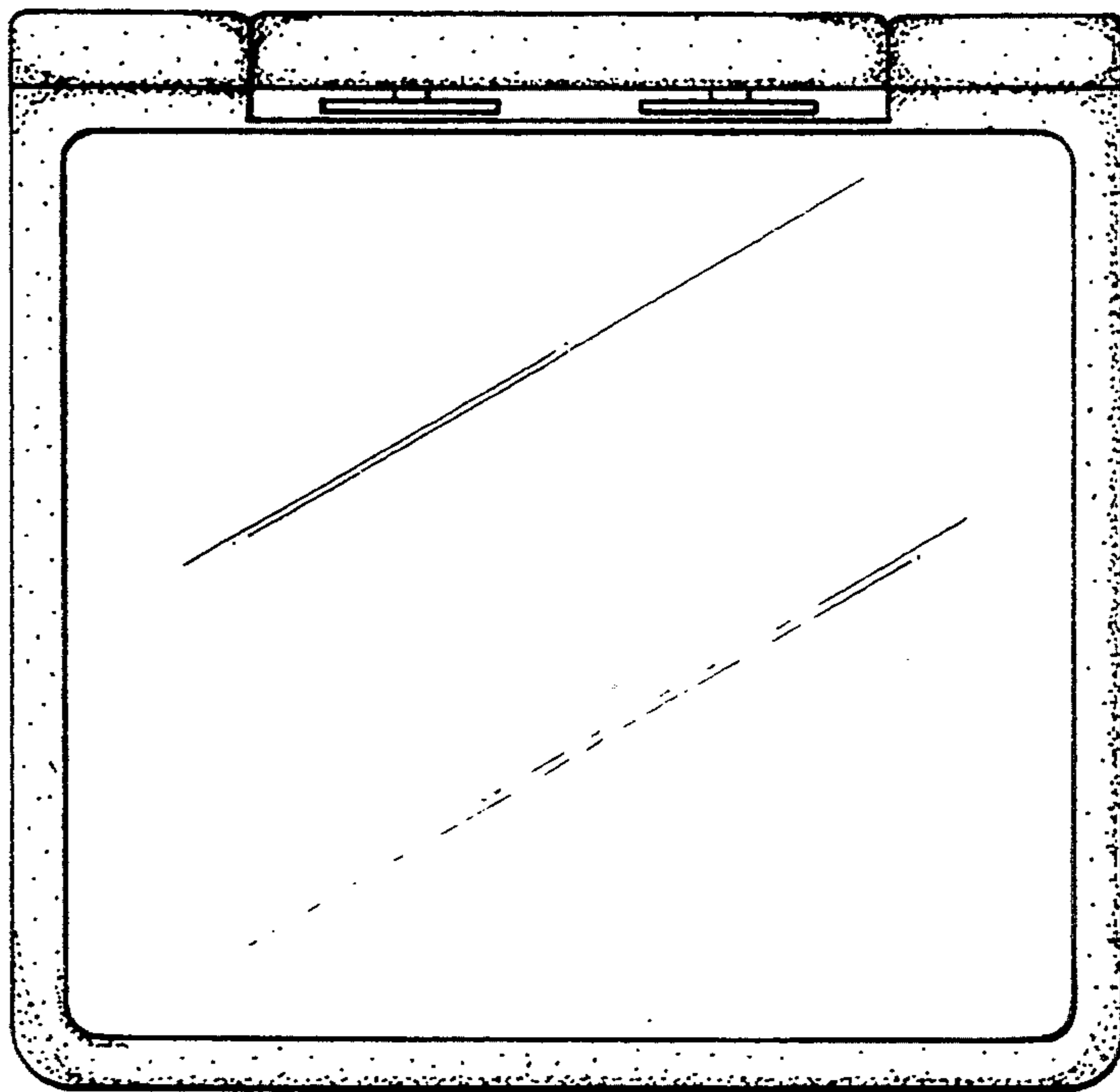


FIG. 3

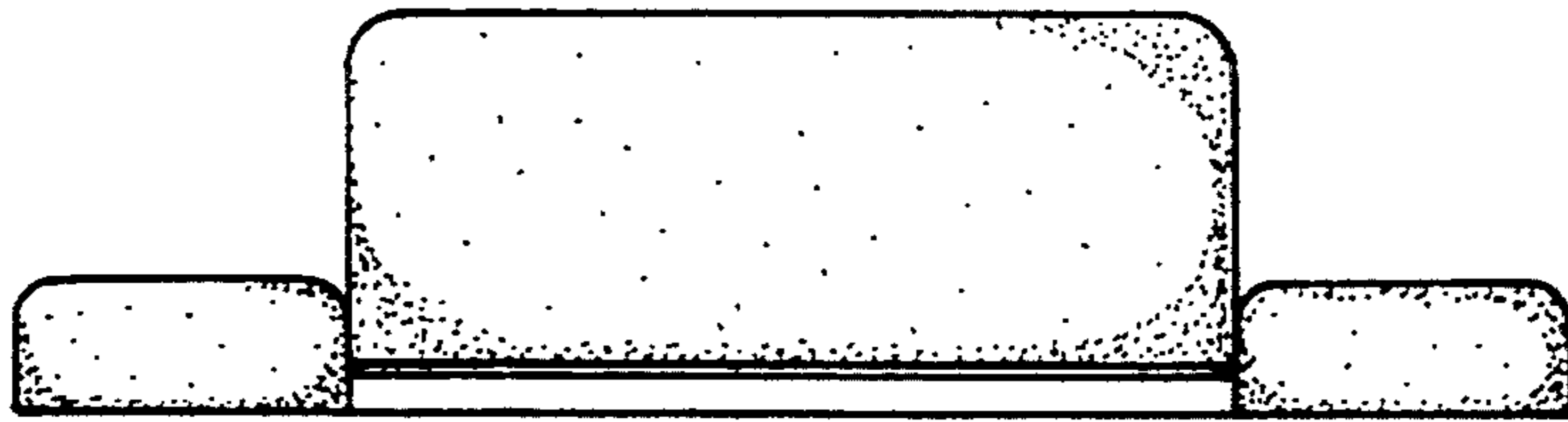


FIG. 4

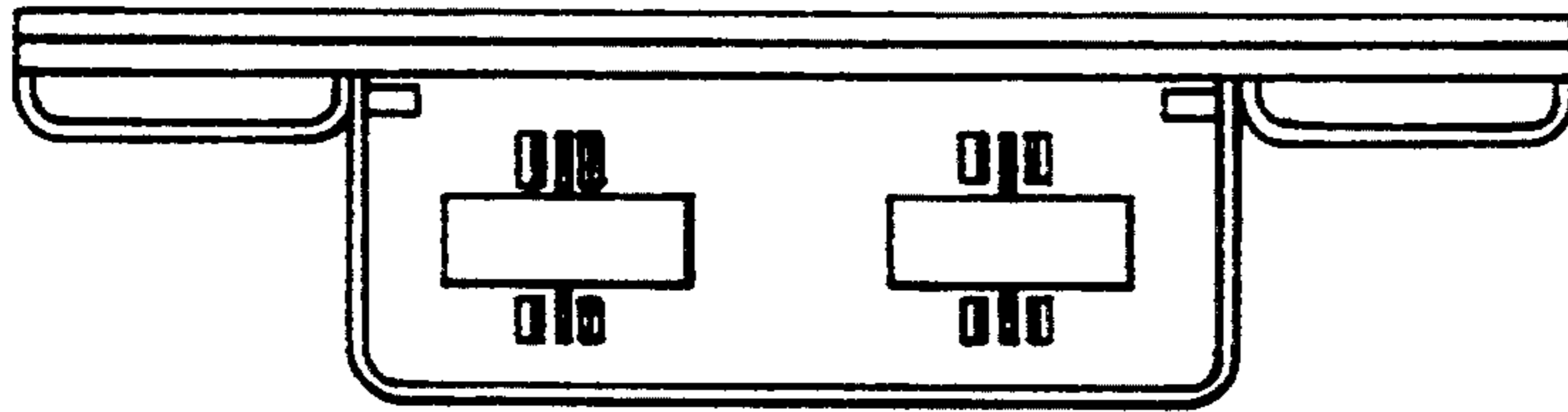


FIG. 5

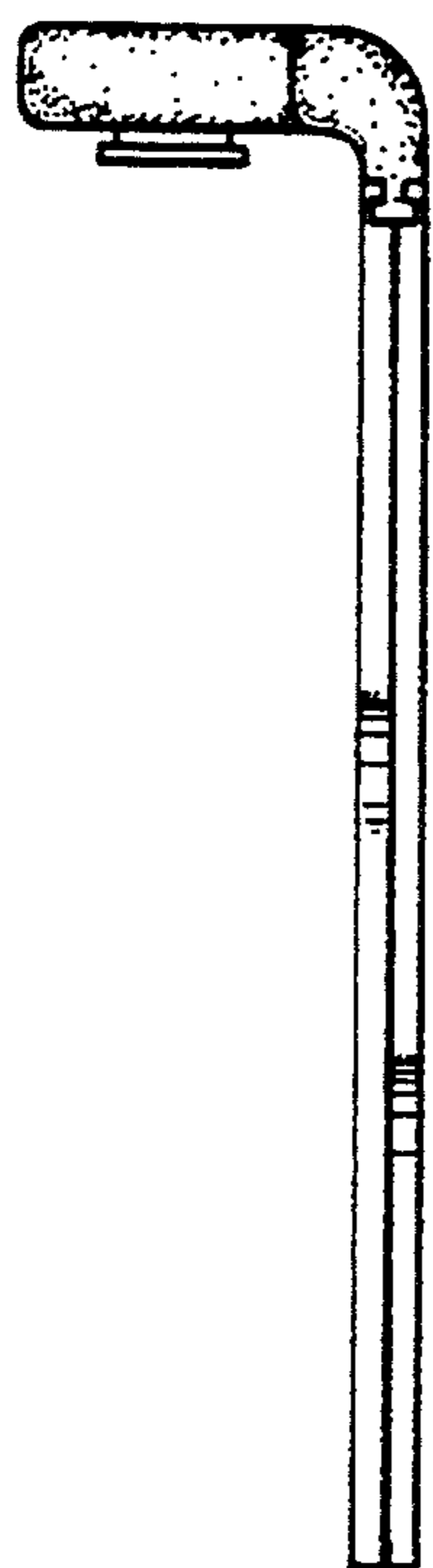


FIG. 6

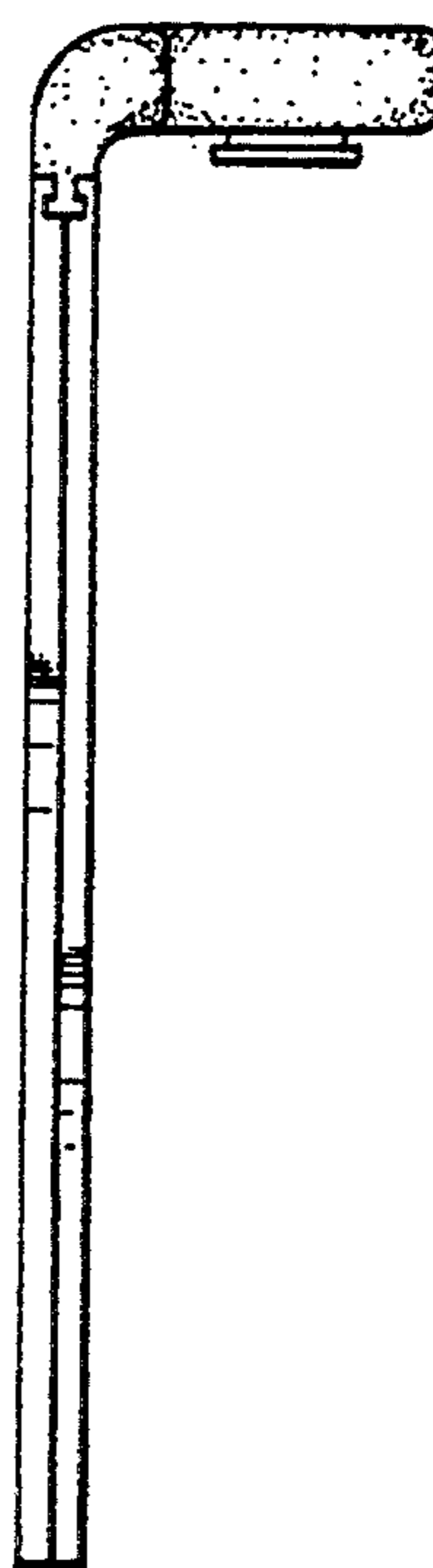


FIG. 7