



US00D360195S

United States Patent [19]

[11] Patent Number: **Des. 360,195**

Kimbrough et al.

[45] Date of Patent: **** Jul. 11, 1995**

[54] **HANDHELD COMPUTING DEVICE**

5,103,376 4/1992 Blonder D14/106 X
5,128,829 7/1992 Loew 361/683

[75] Inventors: **Mark Kimbrough; David S. Register,**
both of Austin, Tex.

Primary Examiner—Freda S. Nunn
Attorney, Agent, or Firm—James Huffman

[73] Assignee: **Dell USA, L.P.,** Austin, Tex.

[57] **CLAIM**

[**] Term: **14 Years**

The ornamental design for a handheld computing device, as shown and described.

[21] Appl. No.: **18,160**

DESCRIPTION

[22] Filed: **Jan. 31, 1994**

[52] U.S. Cl. **D14/100; D19/26**

FIG. 1 is a top front and right side perspective view of a handheld computing device showing our new design with the lid closed;

[58] **Field of Search** D14/100, 106, 115, 113,
D14/124-127; D18/1, 7, 11, 12; 178/18, 19;
345/156, 104, 173, 901, 905; 364/708.1, 709.04,
709.12; 434/307-309; D19/26, 52, 59, 60, 62;
361/683

FIG. 2 is a reduced top front and right side perspective view thereof shown with the lid open;

FIG. 3 is a reduced top front and right side perspective view thereof shown with the lid completely open and wrapped behind the device and a pen is shown in broken lines for illustrative purposes only and forms no part of the claimed design; and,

[56] **References Cited**

U.S. PATENT DOCUMENTS

D. 317,151 5/1991 Daly D14/100
D. 348,449 7/1994 Rodd et al. D14/113
D. 352,279 11/1994 Foy et al. D19/60 X
4,918,632 4/1990 York D14/106 X

FIG. 4 is a bottom rear and left side perspective view thereof shown with the lid completely open and wrapped behind the device.

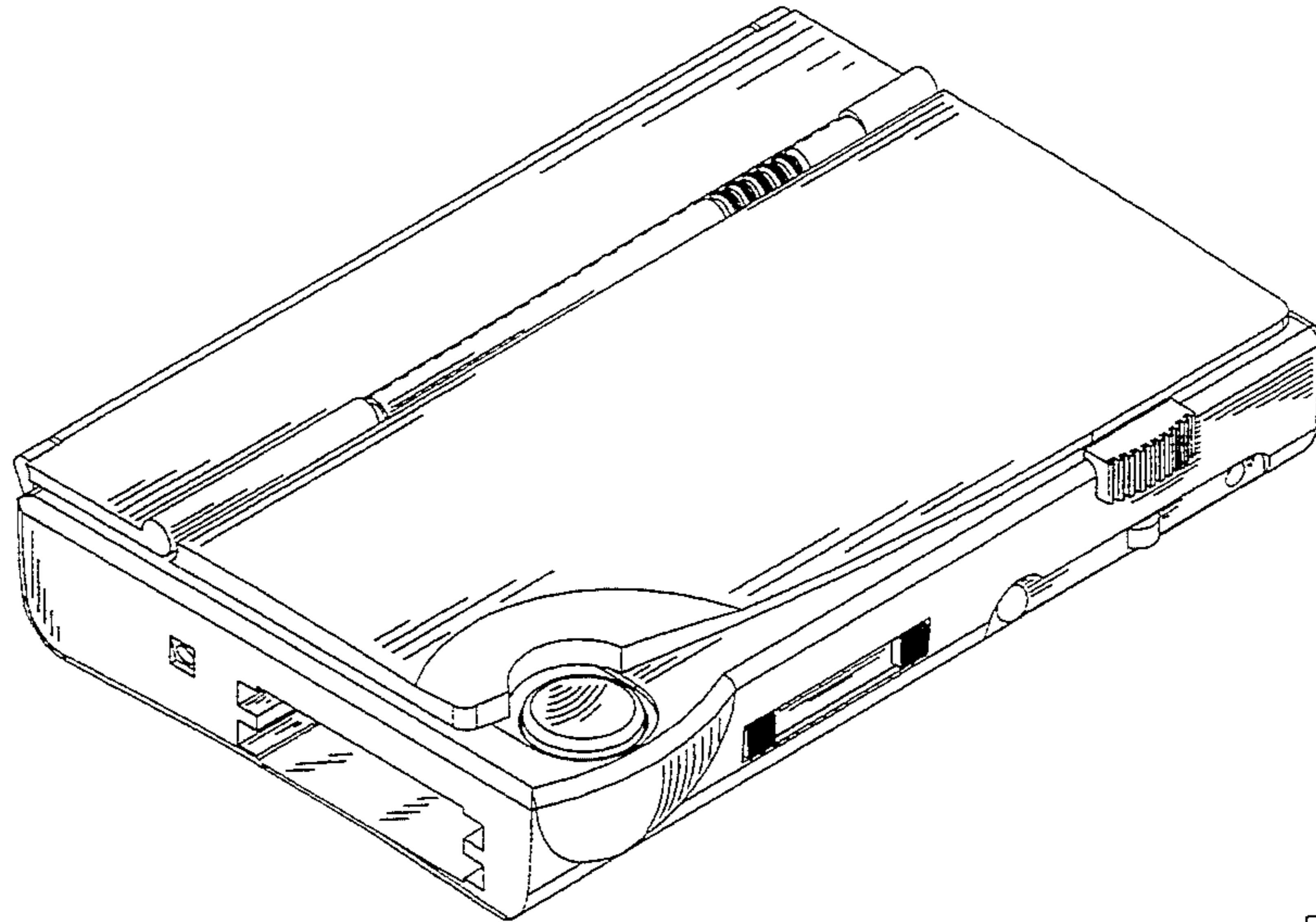
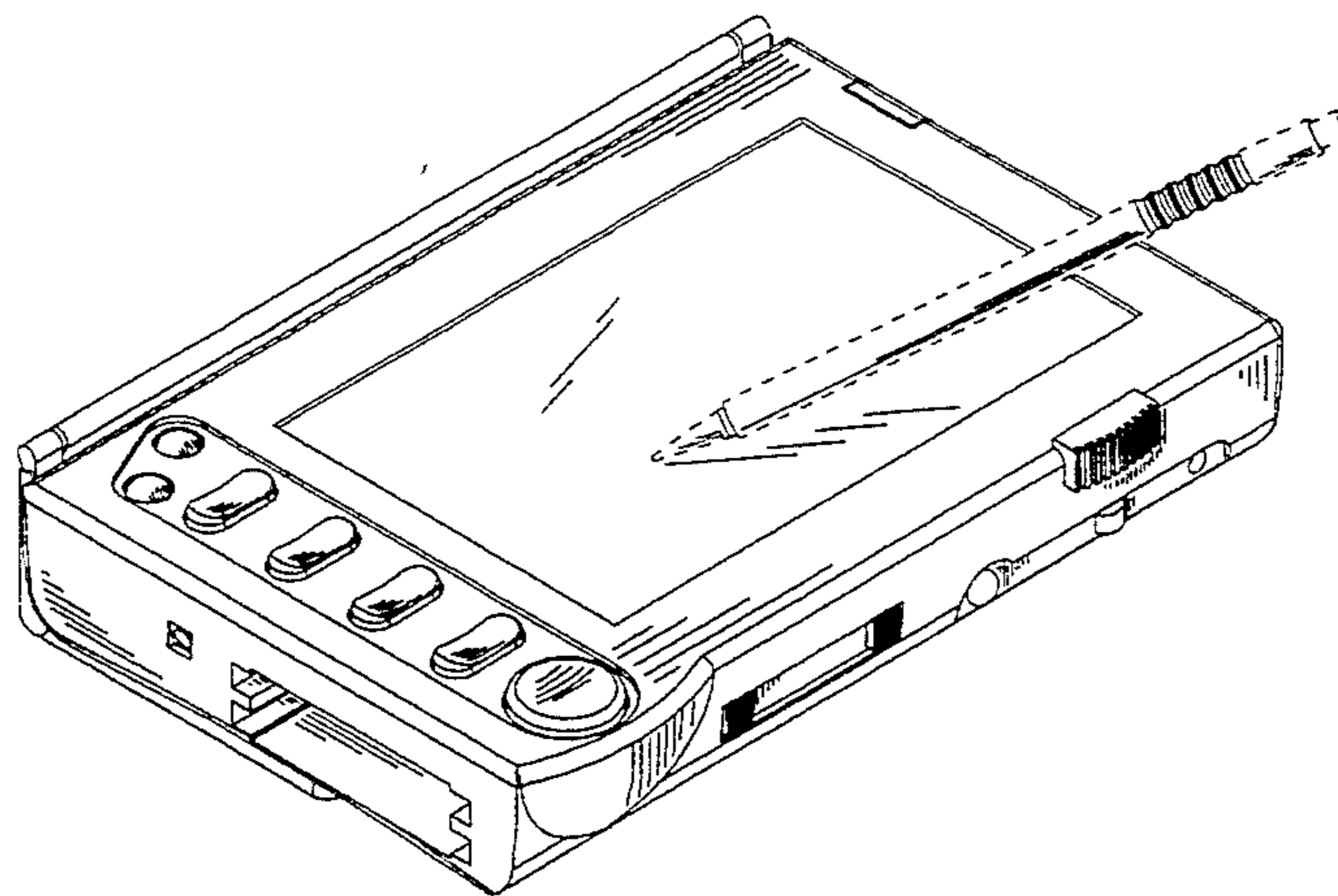


FIG.



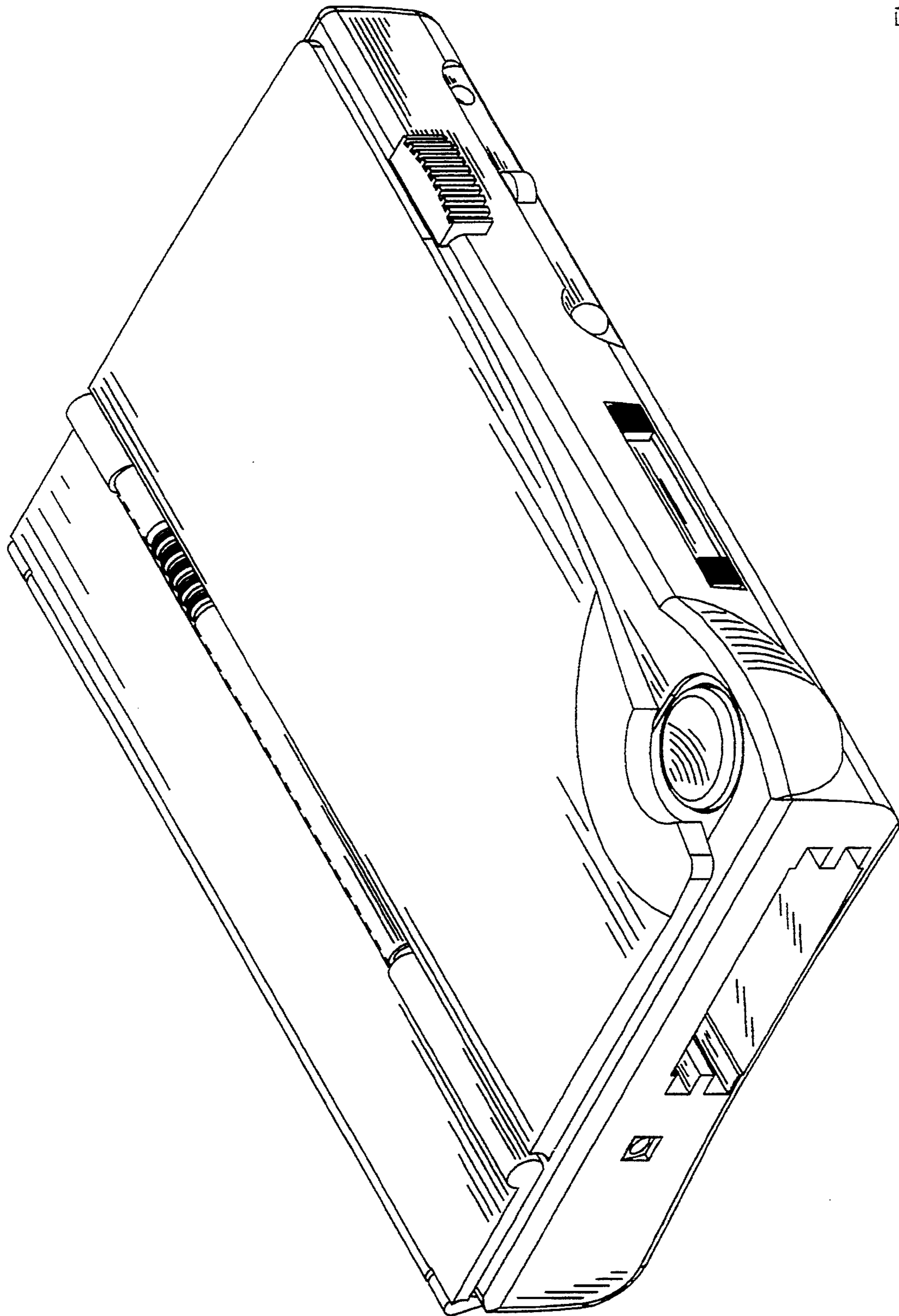


FIG. 1

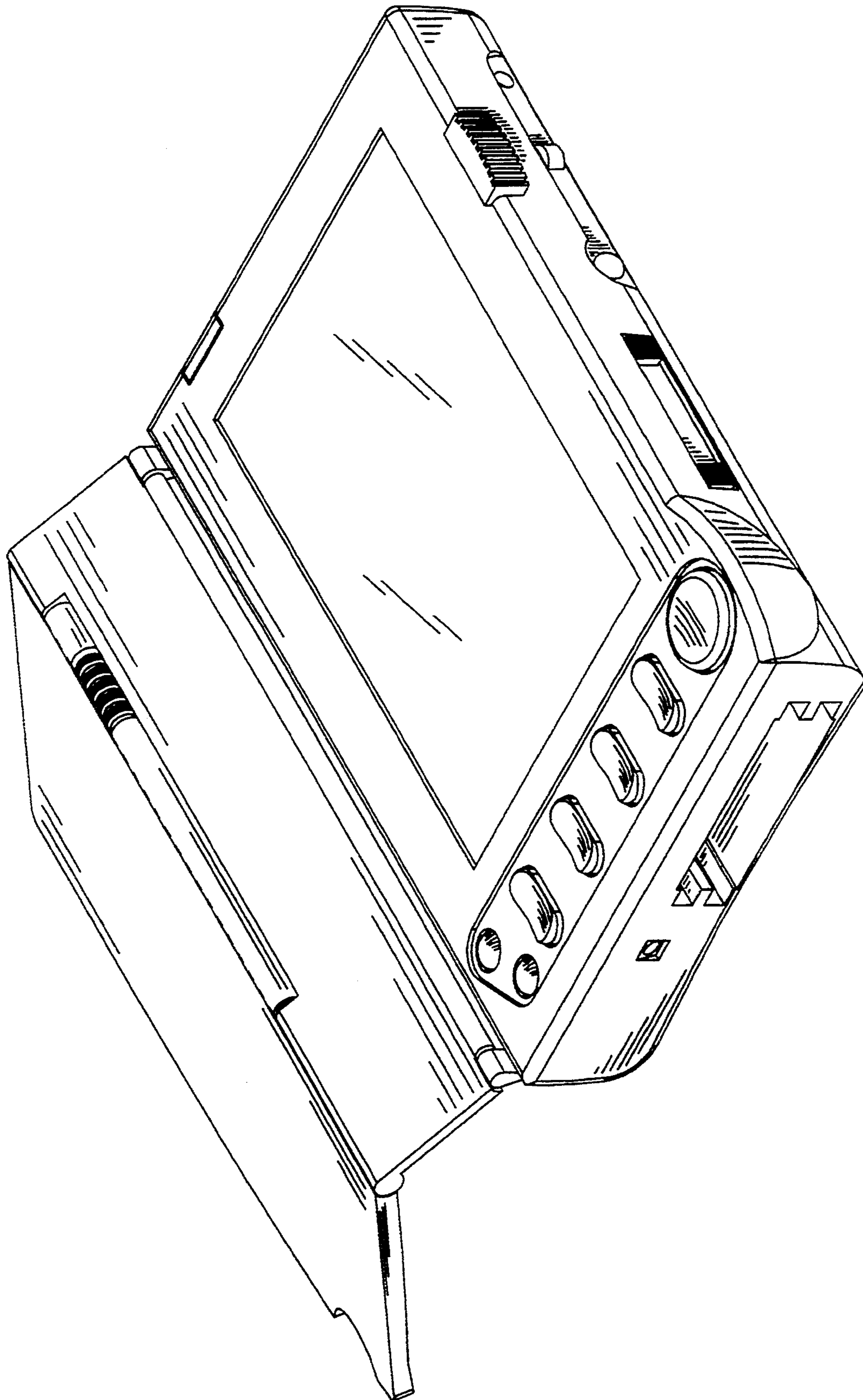
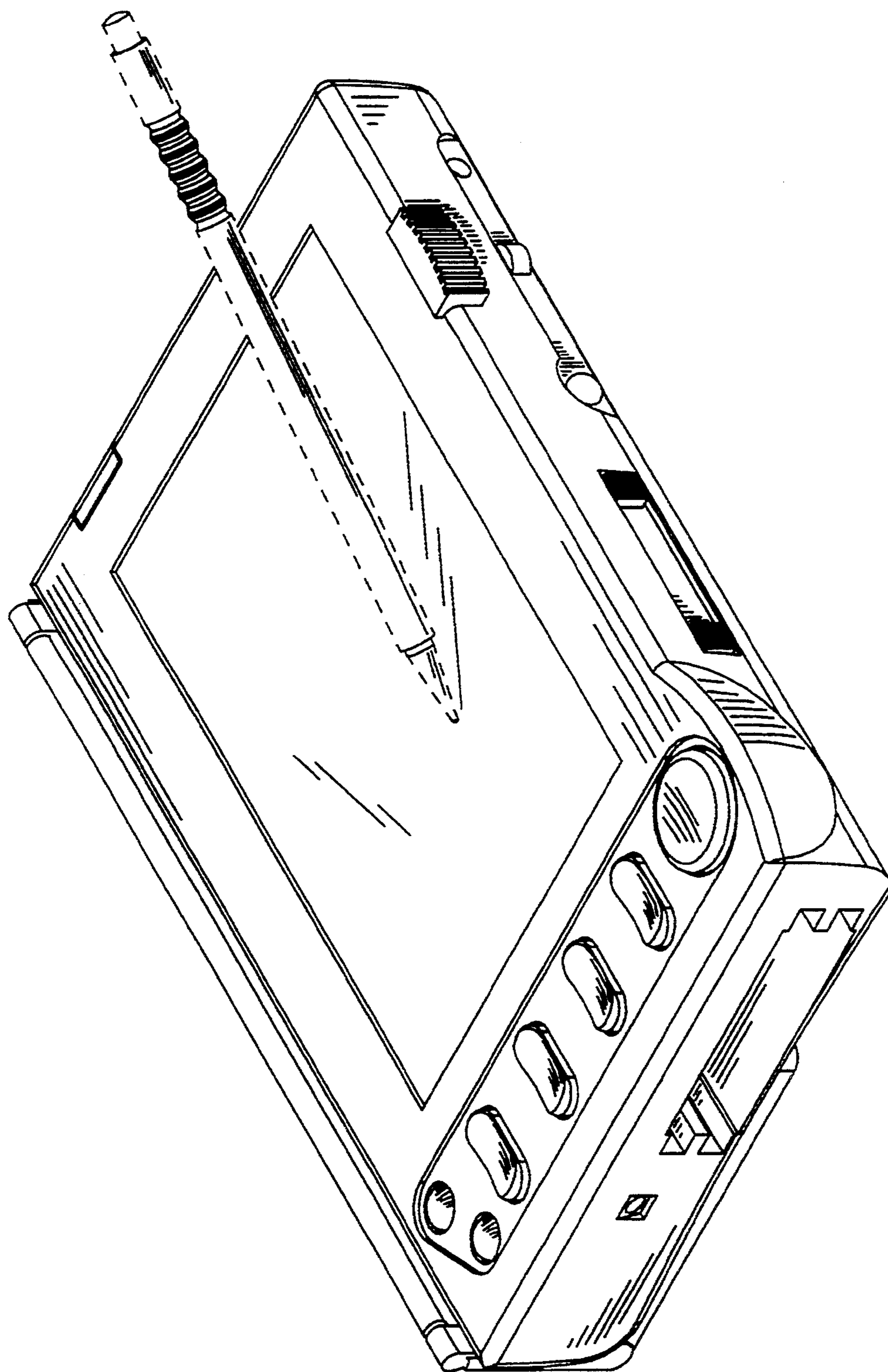


FIG. 2

FIG. 3



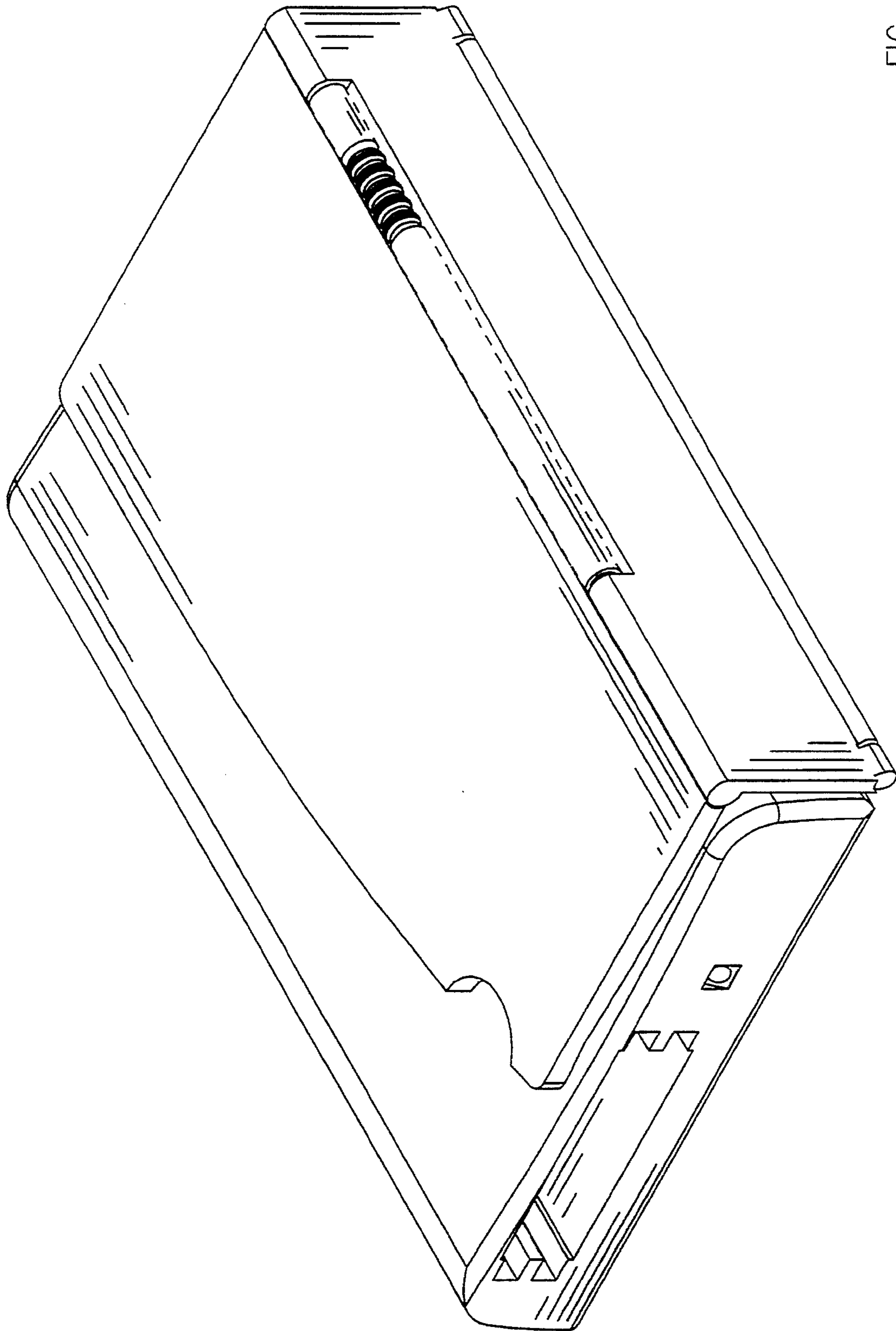


FIG. 4