



US00D360194S

United States Patent [19]

Shudo

[11] Patent Number: **Des. 360,194**

[45] Date of Patent: **** Jul. 11, 1995**

[54] **GRAPHIC DATA INPUT MACHINE
COMBINED WITH A PRINTER**

[75] Inventor: **Tomoyuki Shudo**, Tokyo, Japan

[73] Assignee: **Sony Corporation**, Tokyo, Japan

[**] Term: **14 Years**

[21] Appl. No.: **15,260**

[22] Filed: **Nov. 12, 1993**

[30] **Foreign Application Priority Data**

May 13, 1993 [JP] Japan 5-13923

[52] U.S. Cl. **D14/100; D18/50**

[58] Field of Search **D14/100, 106, 113;
D18/7, 50; 178/18, 19; D19/59, 60, 62;
345/104, 156, 173, 901, 905, 168; 364/708.1,
709.04, 709.12; 434/307-309; D21/13, 59;
33/443; 382/13**

[56] **References Cited**

U.S. PATENT DOCUMENTS

D. 307,134	4/1990	Makidera	D14/100
D. 309,923	8/1990	Cheung	D21/13
D. 311,036	10/1990	Kelly	D21/59
D. 317,151	5/1991	Daly	D14/100
D. 319,434	8/1991	Lund	D14/100
D. 323,155	1/1992	Hino et al.	D14/100
D. 330,545	10/1992	Ashihara	D14/113
D. 333,814	3/1993	Swanson et al.	D14/100
D. 338,452	8/1993	Allgeier	D14/100
D. 340,701	10/1993	Takeuchi	D14/100
D. 341,571	11/1993	Kazmi	D14/100
D. 346,366	4/1994	Kim et al.	D14/100
D. 346,591	3/1994	Lee	D14/100
4,611,406	9/1986	Engstrom et al.	33/443
4,927,986	5/1990	Daly	178/18
4,972,496	11/1990	Sklarew	382/13

FOREIGN PATENT DOCUMENTS

803268 12/1990 Japan .

OTHER PUBLICATIONS

"Pen style" Grid System, on Dempa Shimbun (1989).
Video Technology Industries, Inc. Catalog, p. 36
(1991).

Primary Examiner—Freda S. Nunn
Attorney, Agent, or Firm—Beveridge, DeGrandi,
Weilacher & Young

[57] **CLAIM**

The ornamental design for a graphic data input machine combined with a printer, as shown and described.

DESCRIPTION

FIG. 1 is a perspective view of the graphic data input machine combined with a printer;
 FIG. 2 is a perspective view of the graphic data input machine combined with a printer in the using position, wherein an attached paper tray and paper are shown in broken lines for illustrative purposes only and form no part of the claimed design;
 FIG. 3 is a top plan view of the graphic data input machine combined with a printer on an enlarged scale as compared to FIG. 1;
 FIG. 4 is a front view of the graphic data input machine combined with a printer;
 FIG. 5 is a bottom plan view of the graphic data input machine combined with a printer;
 FIG. 6 is a rear view of the graphic data input machine combined with a printer;
 FIG. 7 is a right side view of the graphic data input machine combined with a printer; and,
 FIG. 8 is a left side view of the graphic data input machine combined with a printer.

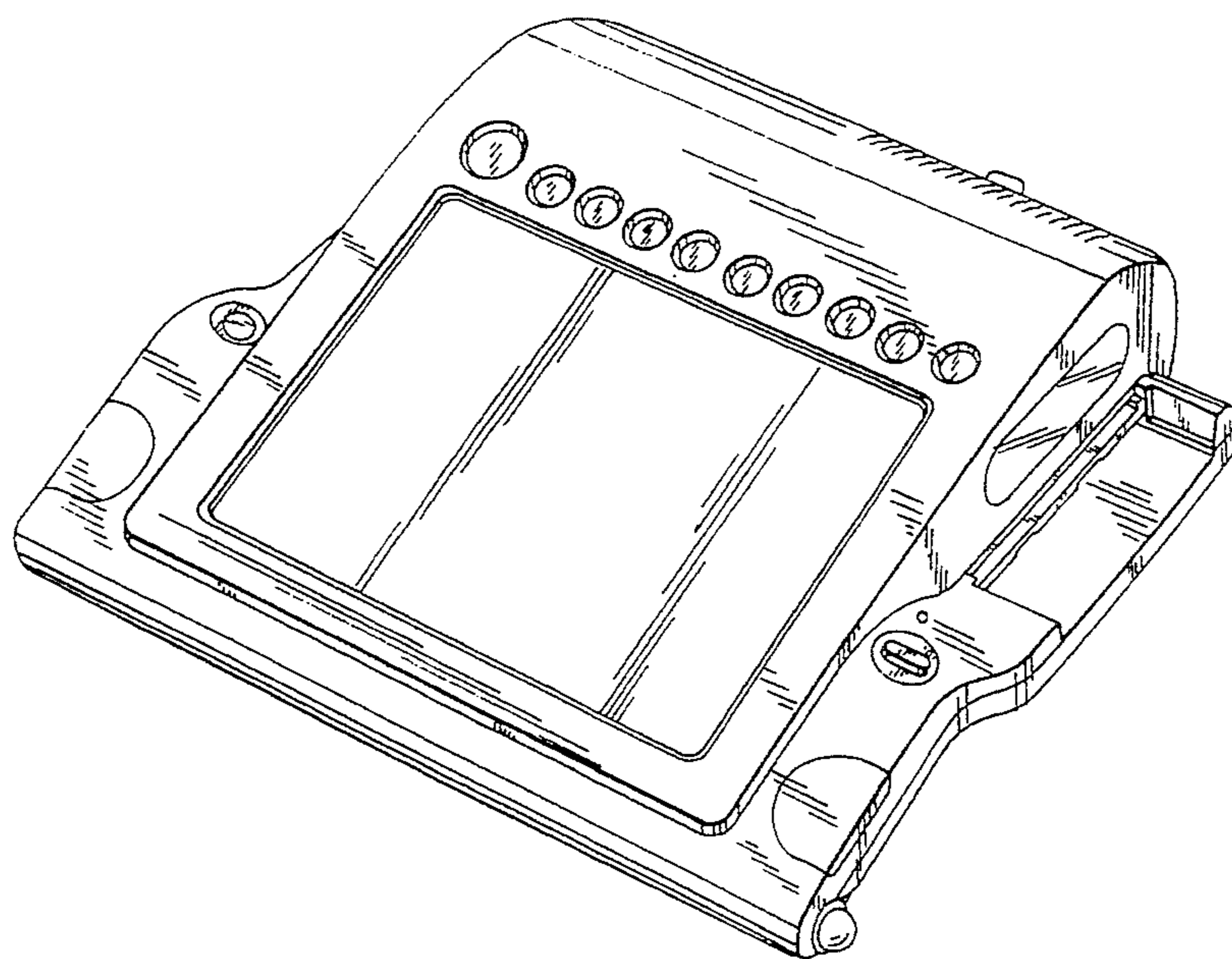


FIG. 1

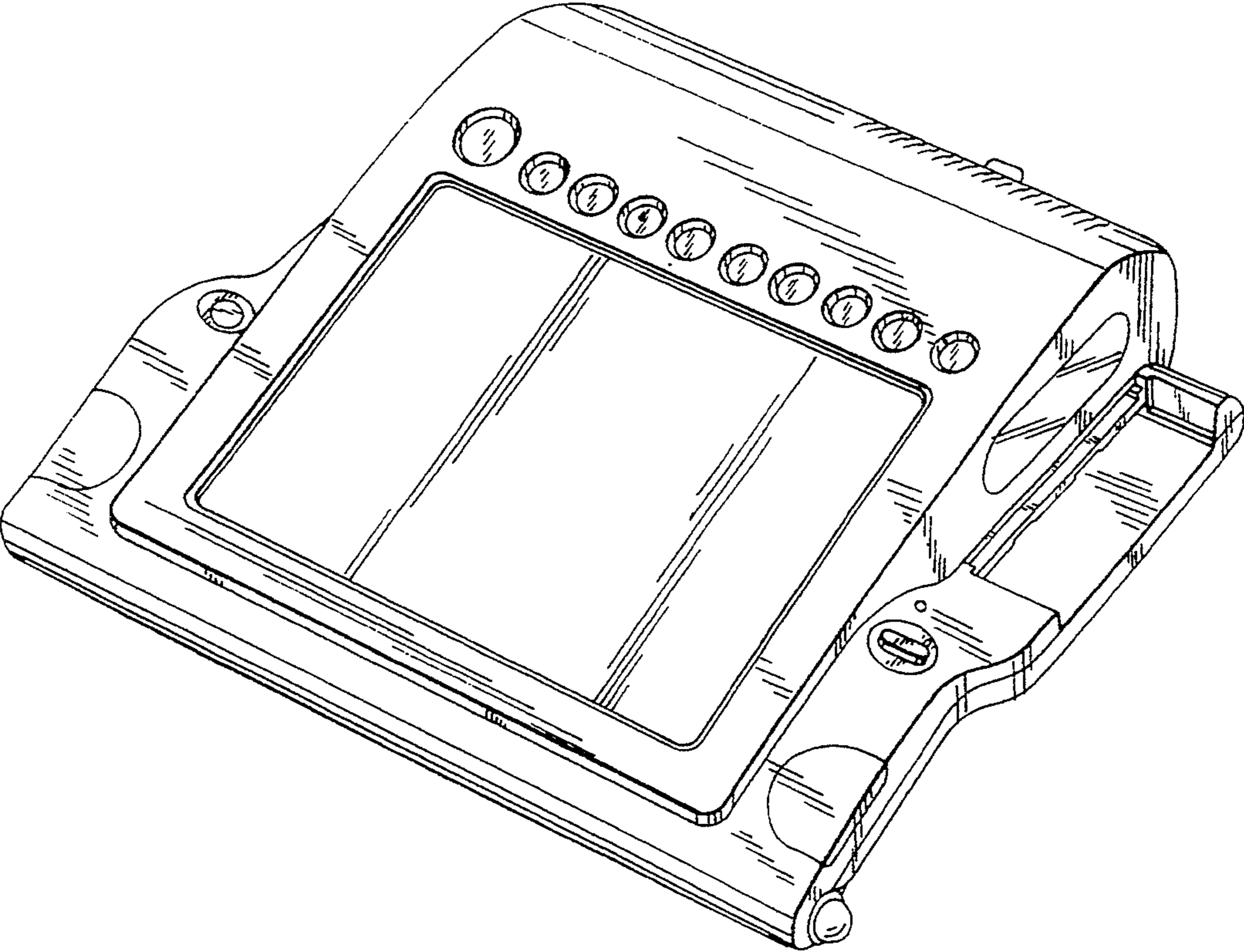


FIG. 2

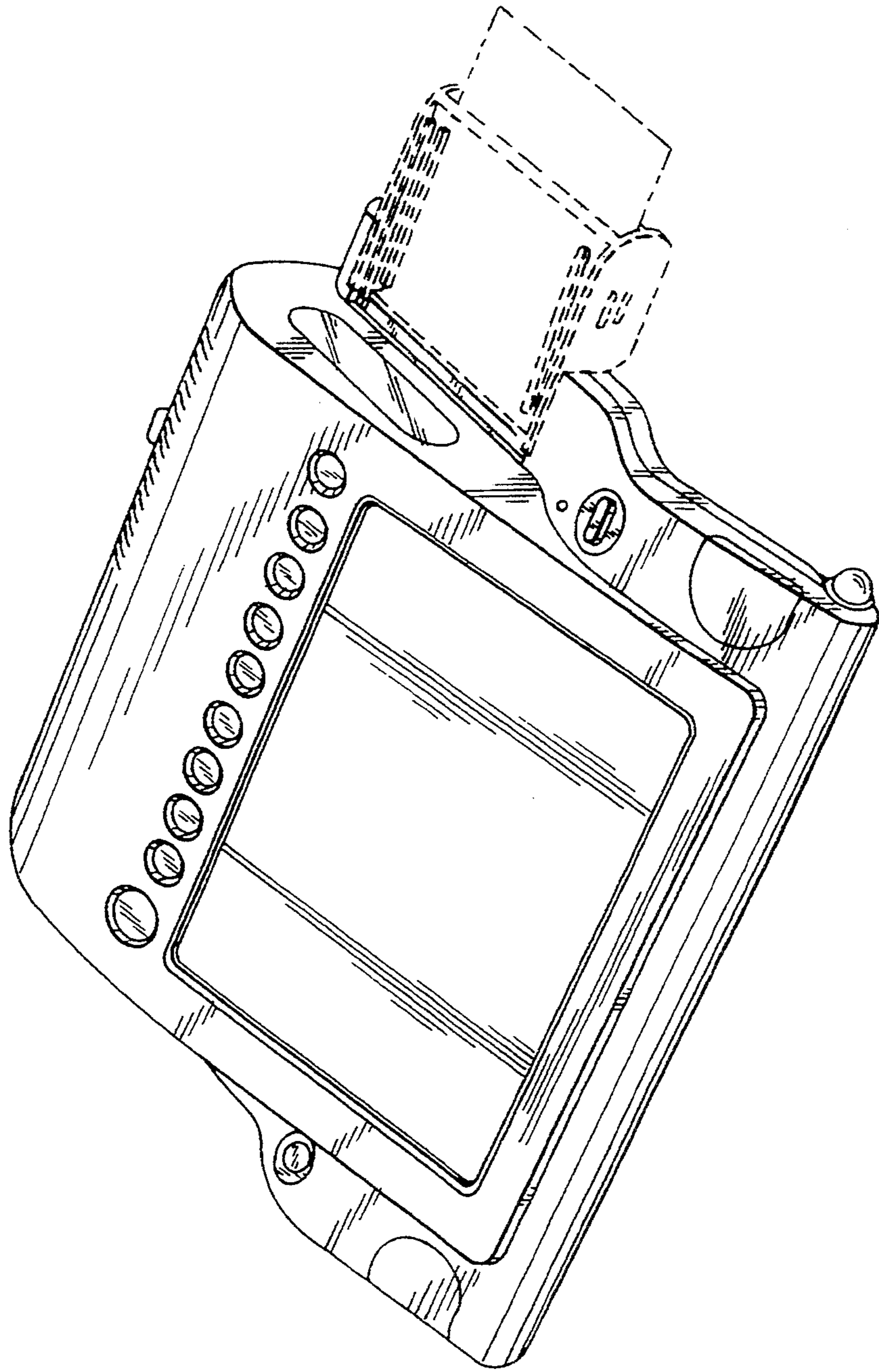


FIG. 3

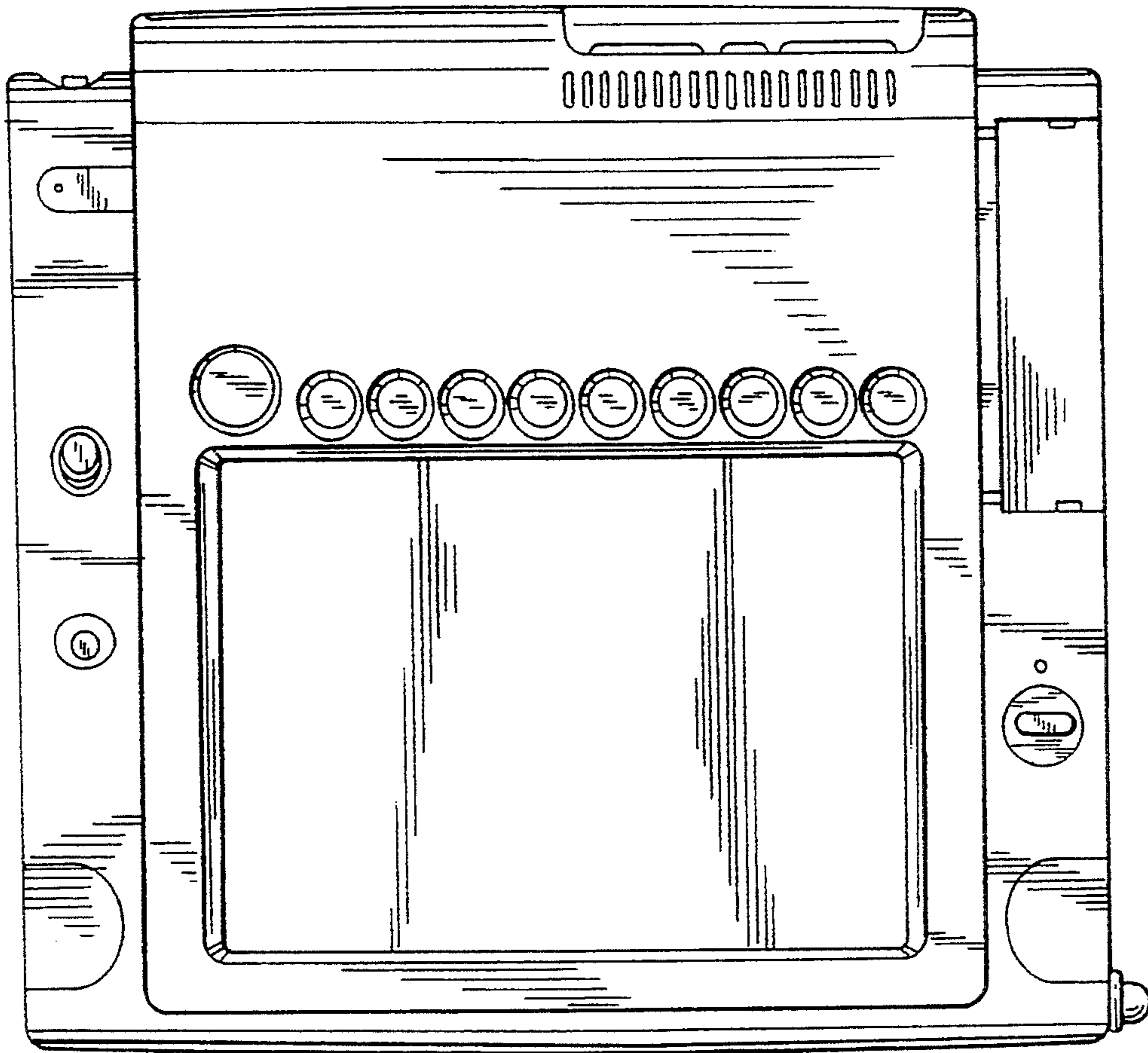


FIG. 4

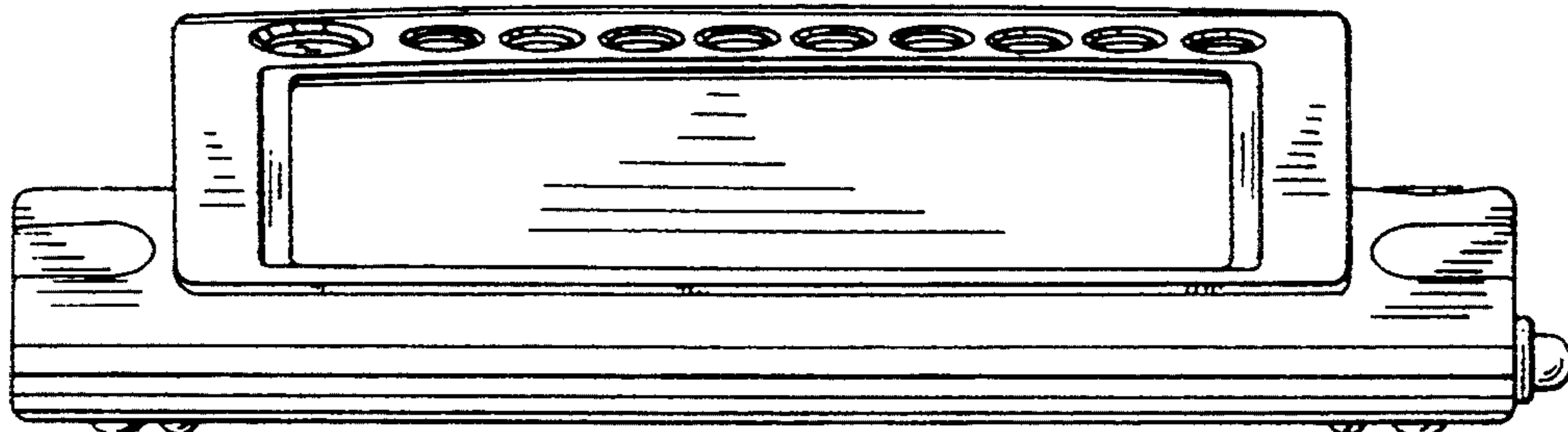


FIG. 5

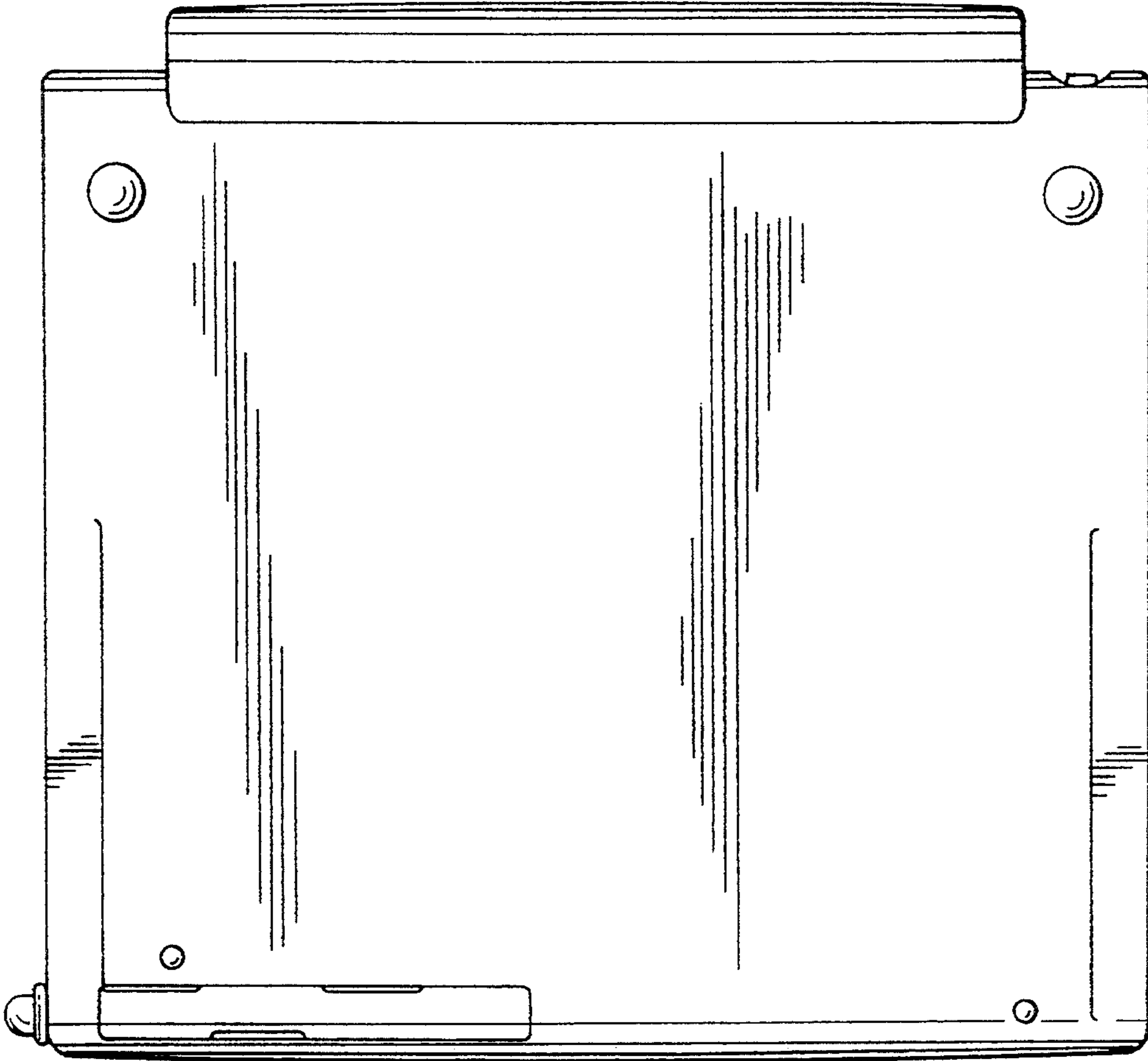


FIG. 6

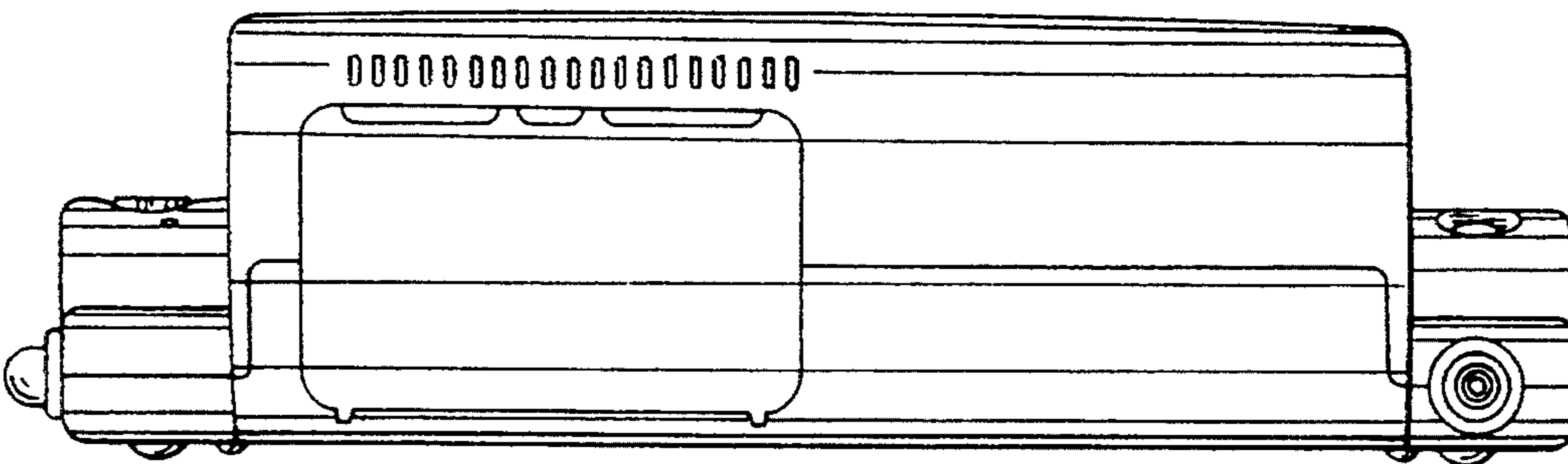


FIG.7

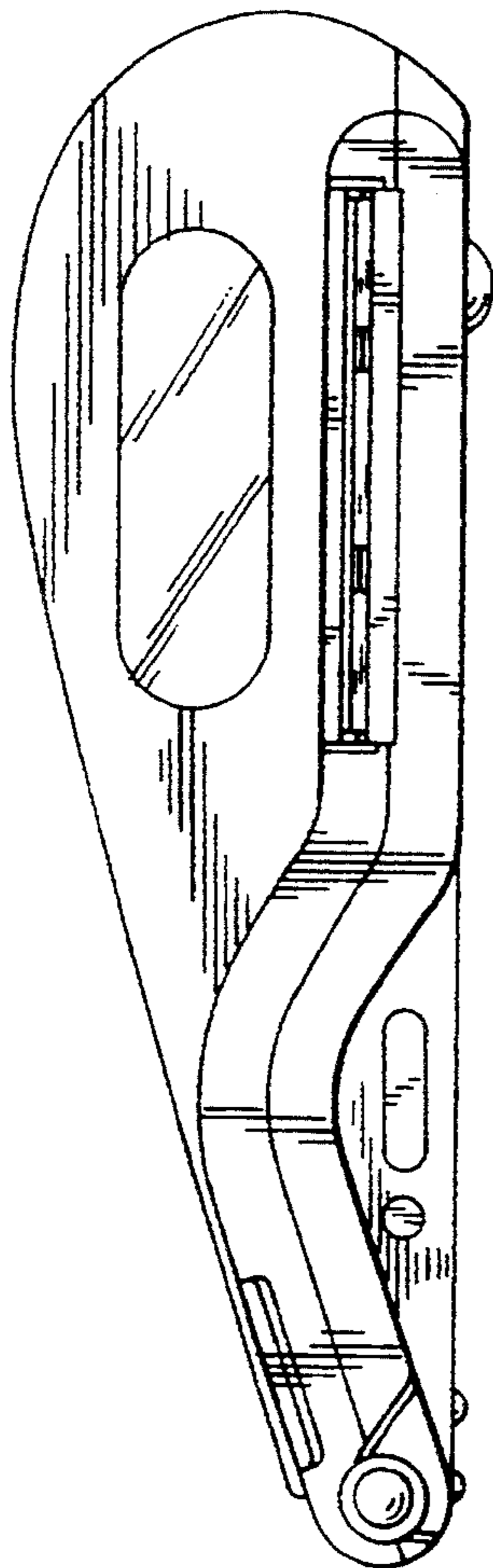


FIG.8

