



US00D360193S

United States Patent [19]
Franzen

[11] **Patent Number: Des. 360,193**
[45] **Date of Patent: ** Jul. 11, 1995**

[54] **MULTIMEDIA WORKSTATION**

[76] Inventor: **Jürgen Franzen**, c/o German Trade Office Taipei, 4F, No. 350, Min-Sheng E. Rd., Taipei 10444, Taiwan

[**] Term: **14 Years**

[21] Appl. No.: **13,474**

[22] Filed: **Sep. 24, 1993**

[52] U.S. Cl. **D14/100**

[58] **Field of Search** D14/100, 101, 106, 113, D14/115, 124-127; D18/1. 7; 235/145 A, 145 R; 345/104, 156, 168, 173, 87, 901-905; 341/22, 23; 361/679-686; 364/708.1, 709.04, 709.12; 400/486, 489

[56] **References Cited**

U.S. PATENT DOCUMENTS

- D. 274,907 7/1984 Reese D14/100
- D. 322,777 12/1991 Nishio D14/100
- D. 324,035 2/1992 Izaki D14/100

Primary Examiner—Freda S. Nunn

Attorney, Agent, or Firm—Vidas, Arrett & Steinkraus

[57] **CLAIM**

The ornamental design for a multimedia workstation, as shown and described.

DESCRIPTION

FIG. 1 is a perspective view of a multimedia workstation in closed position;
 FIG. 2 is a perspective view of a multimedia workstation in open position;
 FIG. 3 is a rear elevational view of the multimedia workstation as shown in FIG. 1;
 FIG. 4 is a top plan view of the multimedia workstation as shown in FIG. 1;
 FIG. 5 is a front elevational view of the multimedia workstation as shown in FIG. 1;
 FIG. 6 is a right side elevational view of the multimedia workstation as shown in FIG. 1;
 FIG. 7 is a left side elevational view of the multimedia workstation as shown in FIG. 1;
 FIG. 8 is a bottom plan view of the multimedia workstation as shown in FIG. 2;
 FIG. 9 is a top plan view of the multimedia workstation as shown in FIG. 2;
 FIG. 10 is a front elevational view of the multimedia workstation as shown in FIG. 2;
 FIG. 11 is a rear elevational view of the multimedia workstation as shown in FIG. 2;
 FIG. 12 is a left side elevational view of the multimedia workstation as shown in FIG. 2;
 FIG. 13 is a right side elevational view of the multimedia workstation as shown in FIG. 2; and,
 FIG. 14 is a bottom plan view of the multimedia workstation as shown in FIG. 2.

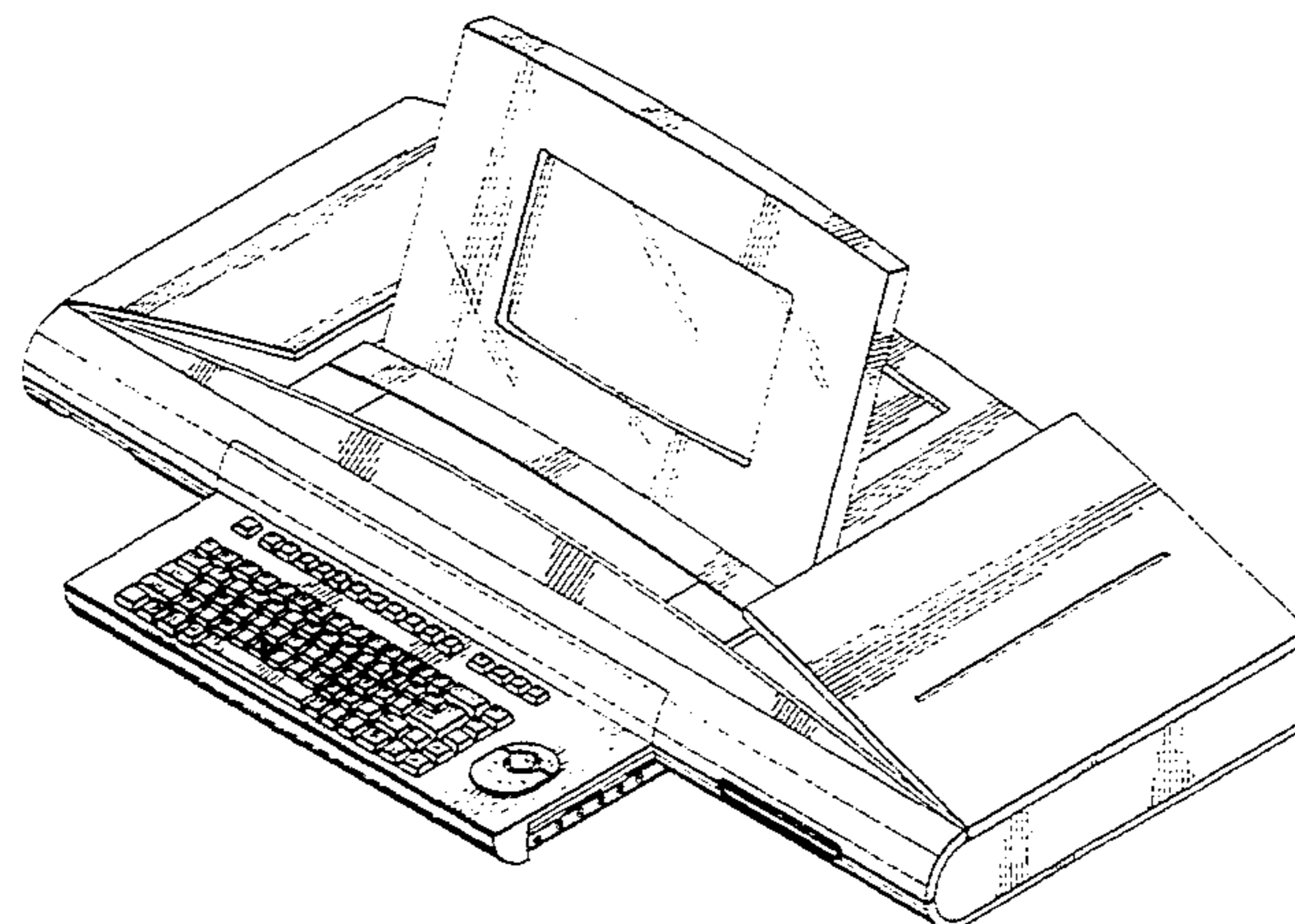
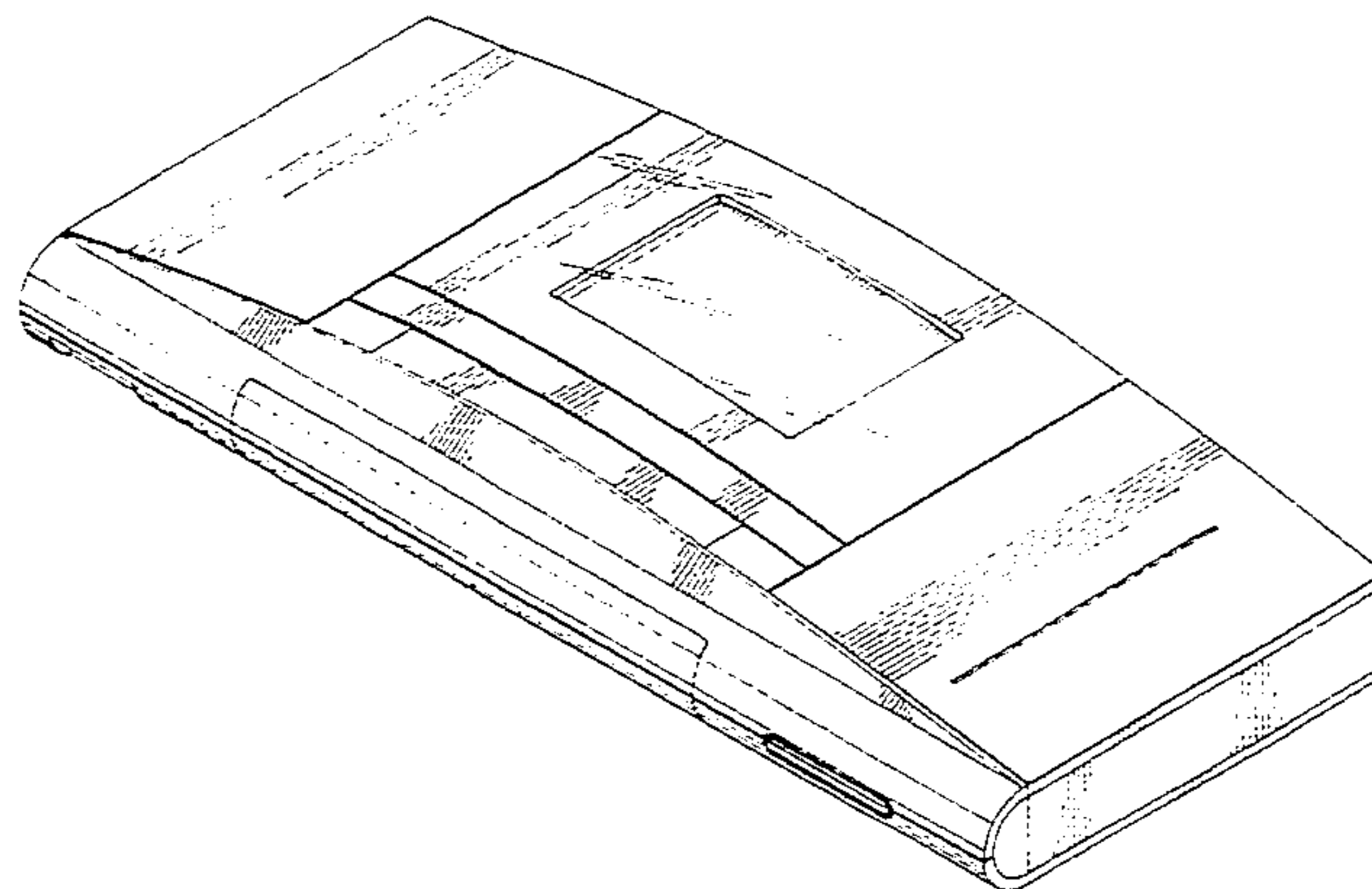


Fig. 1

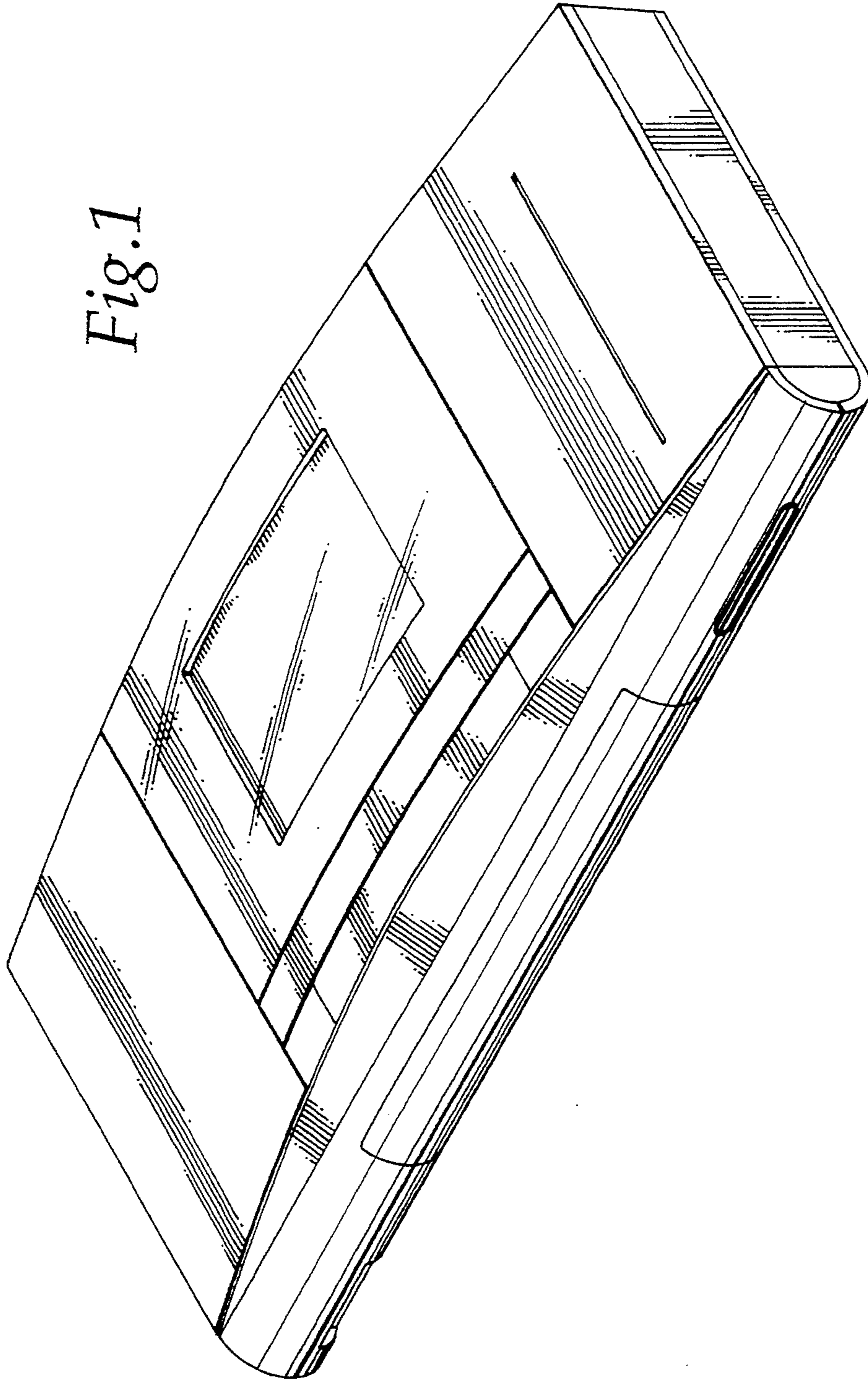


Fig. 2

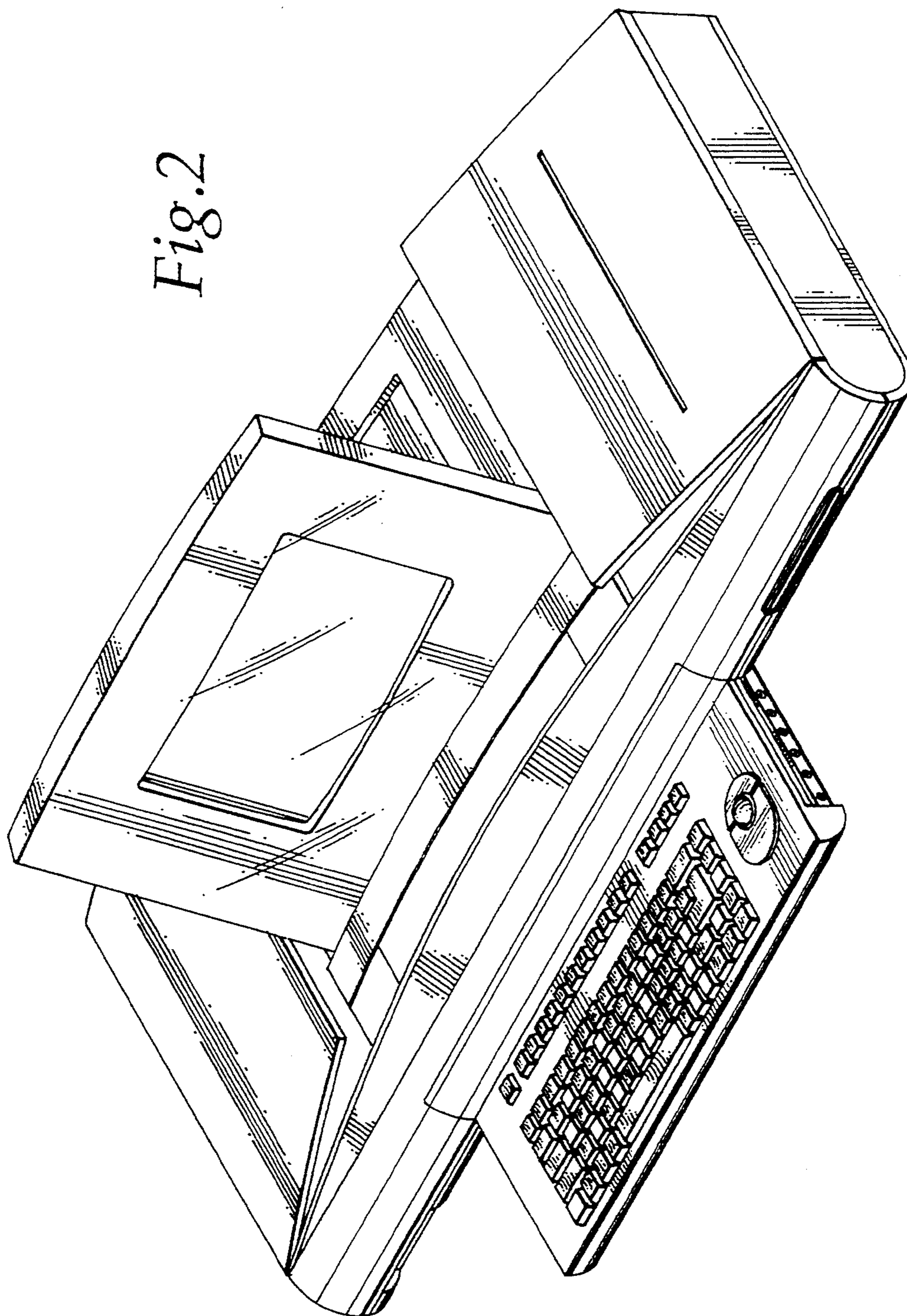


Fig.3

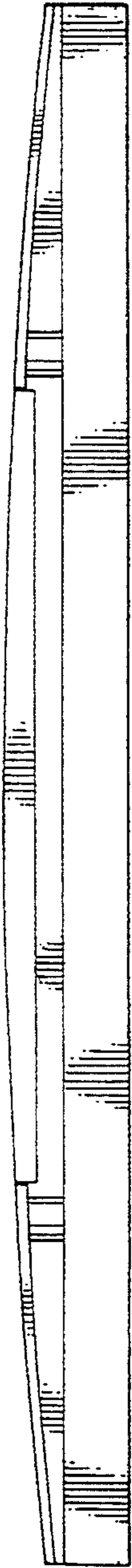


Fig.4

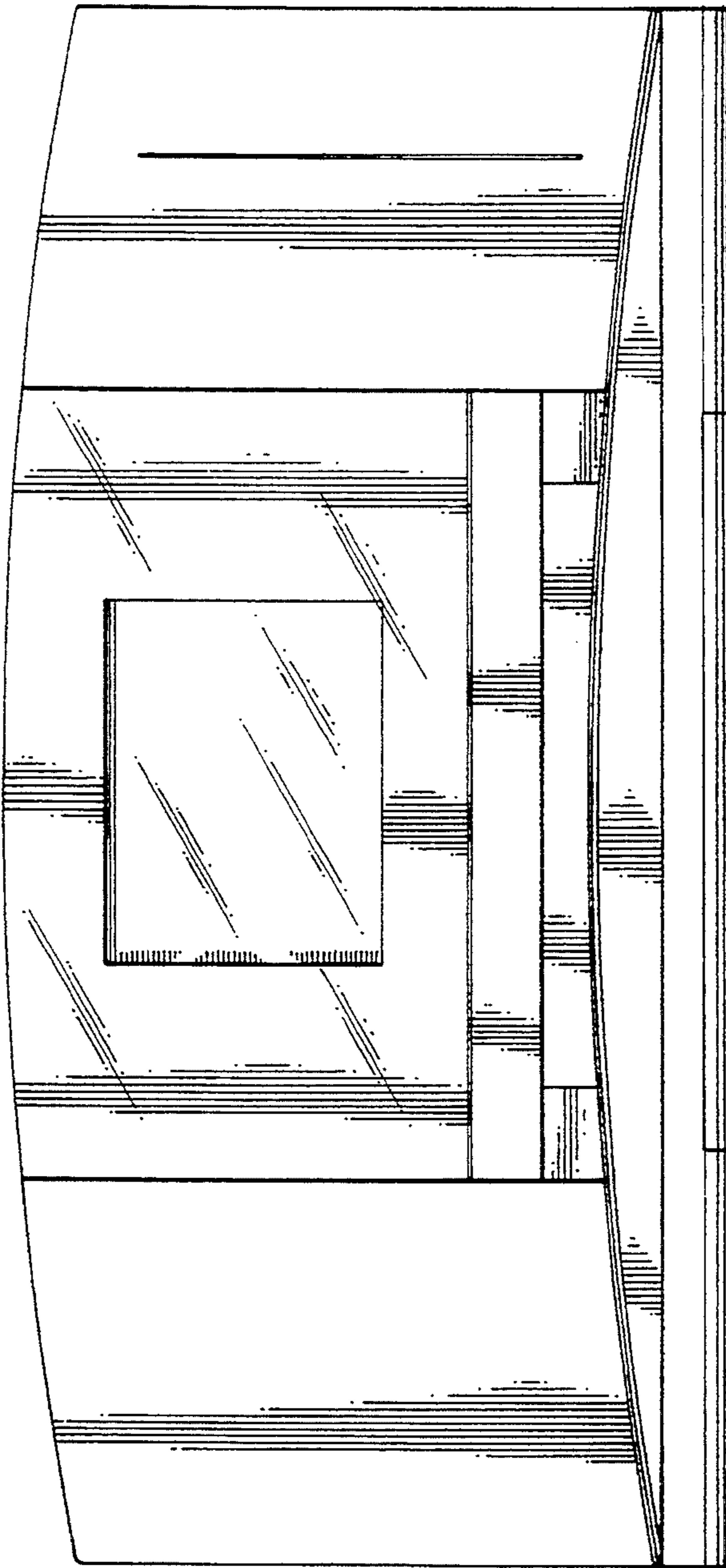


Fig.5



Fig.6



Fig.7

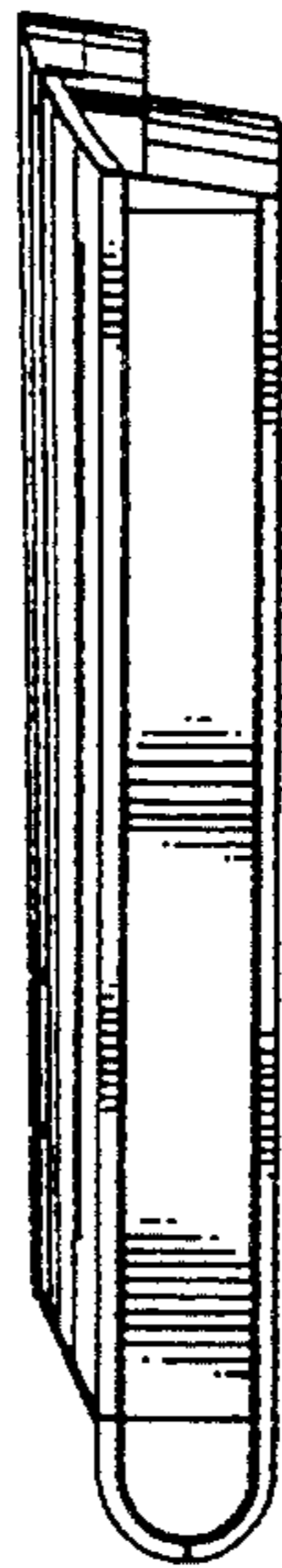


Fig.8

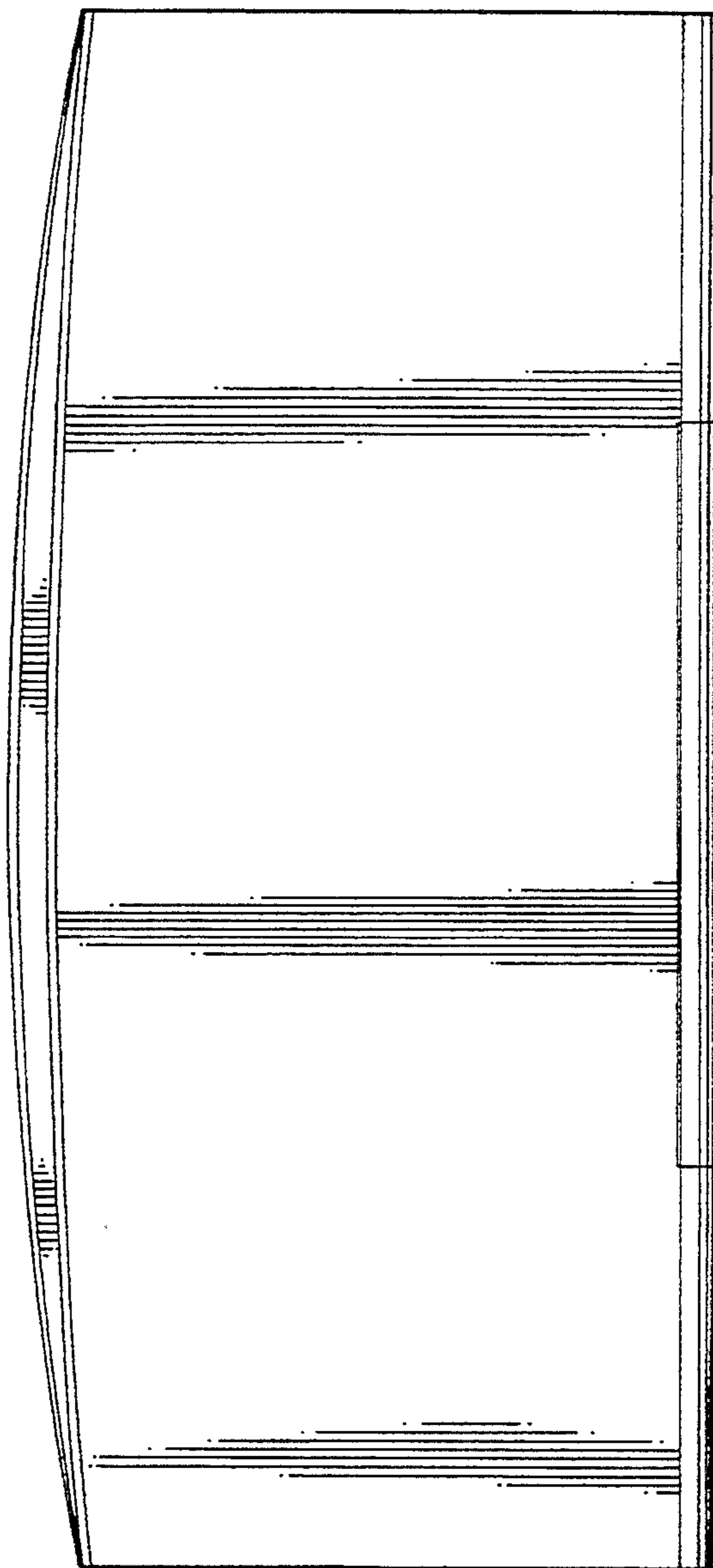


Fig. 9

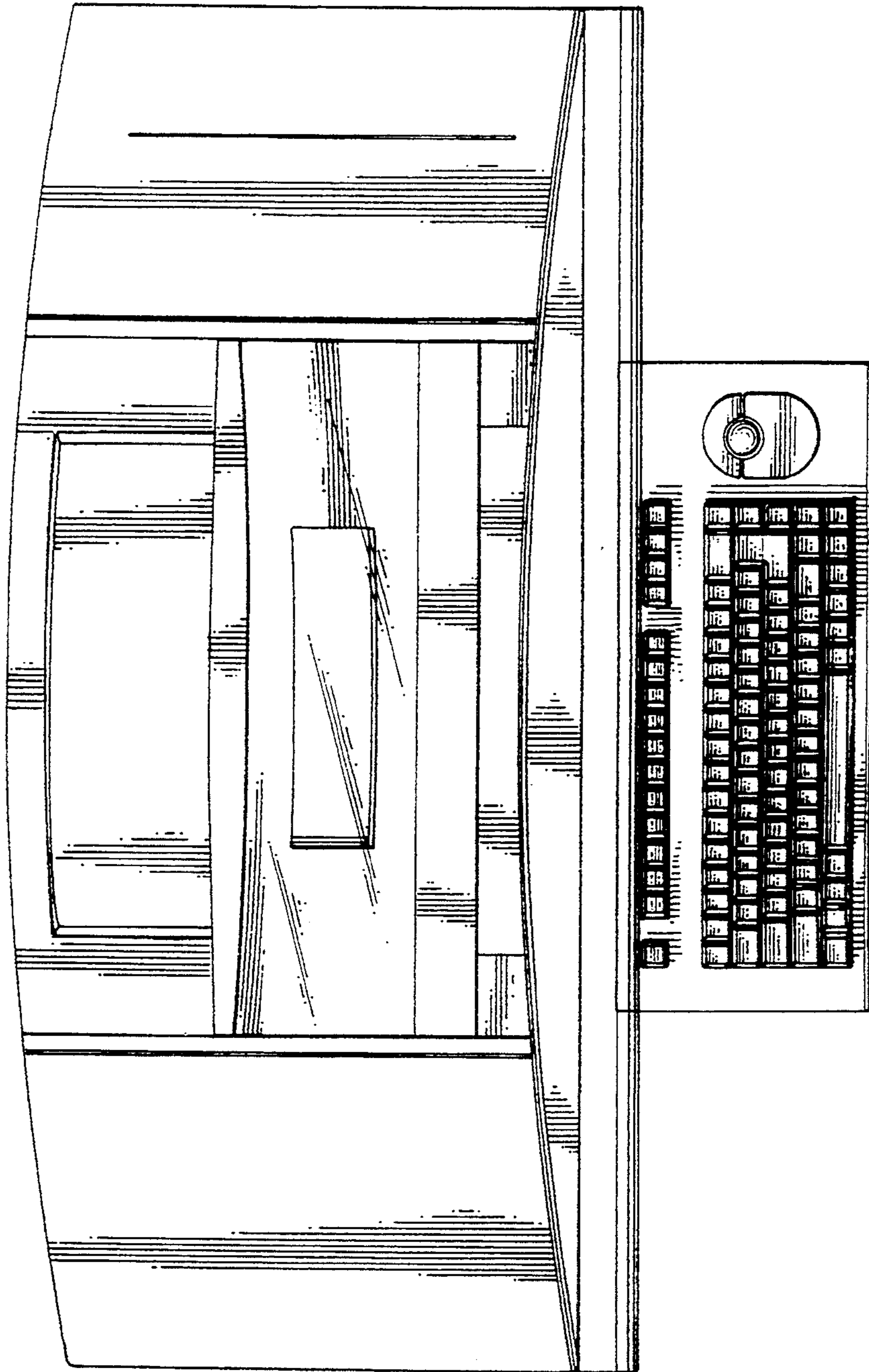


Fig.10

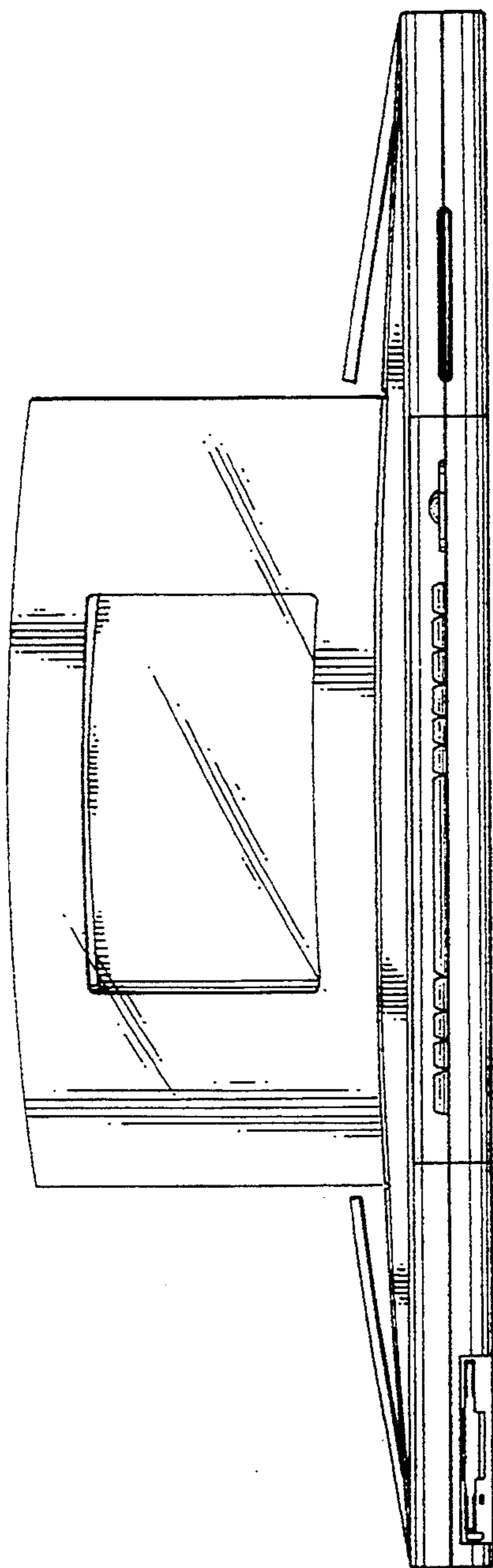


Fig.11

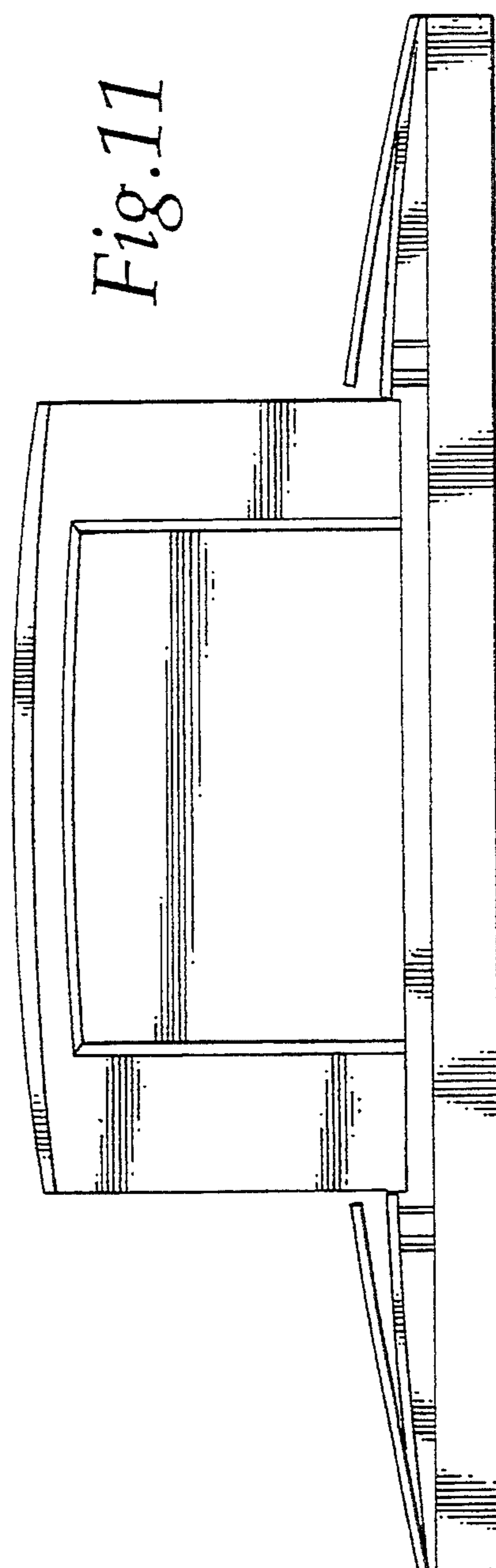


Fig.12

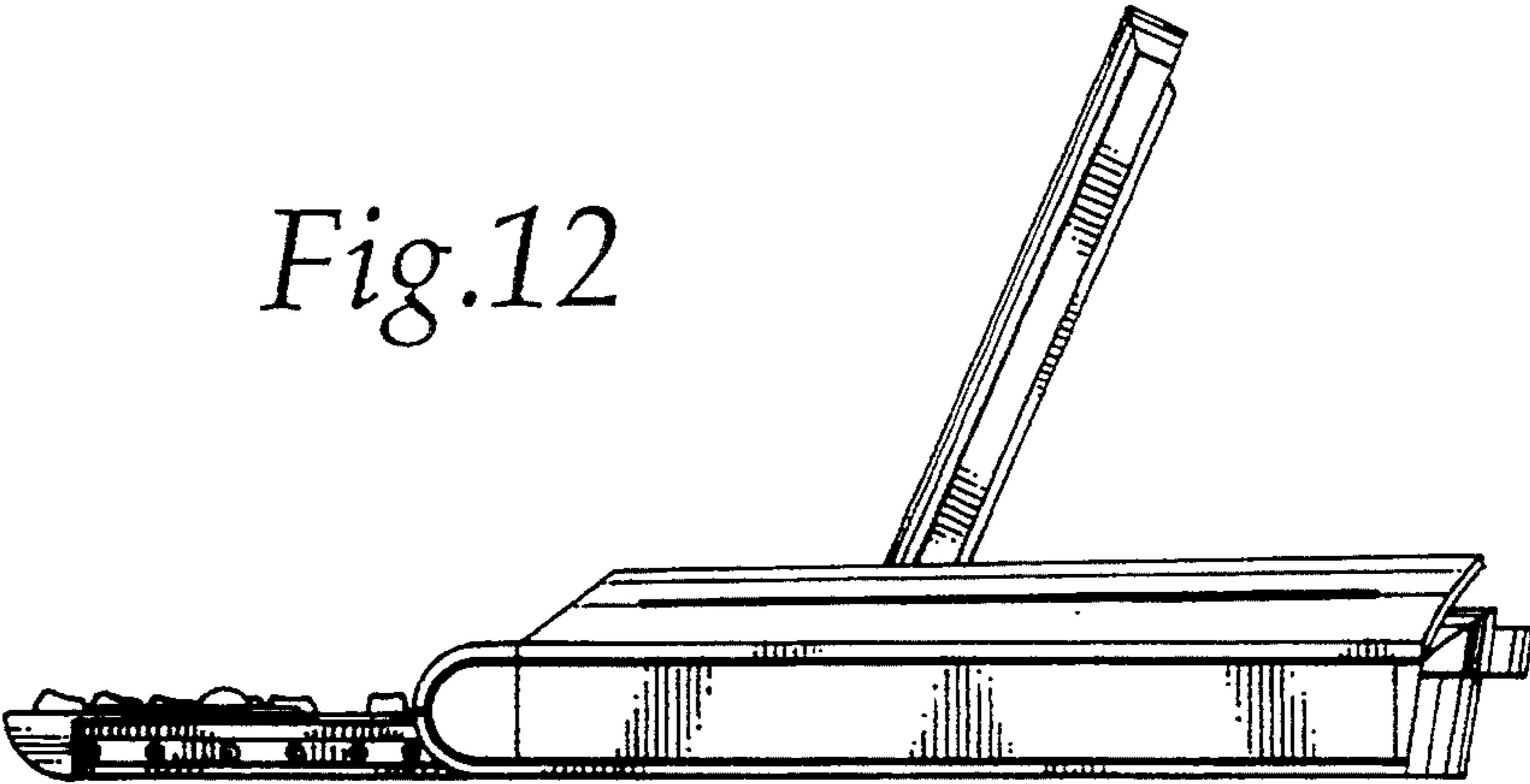


Fig.13

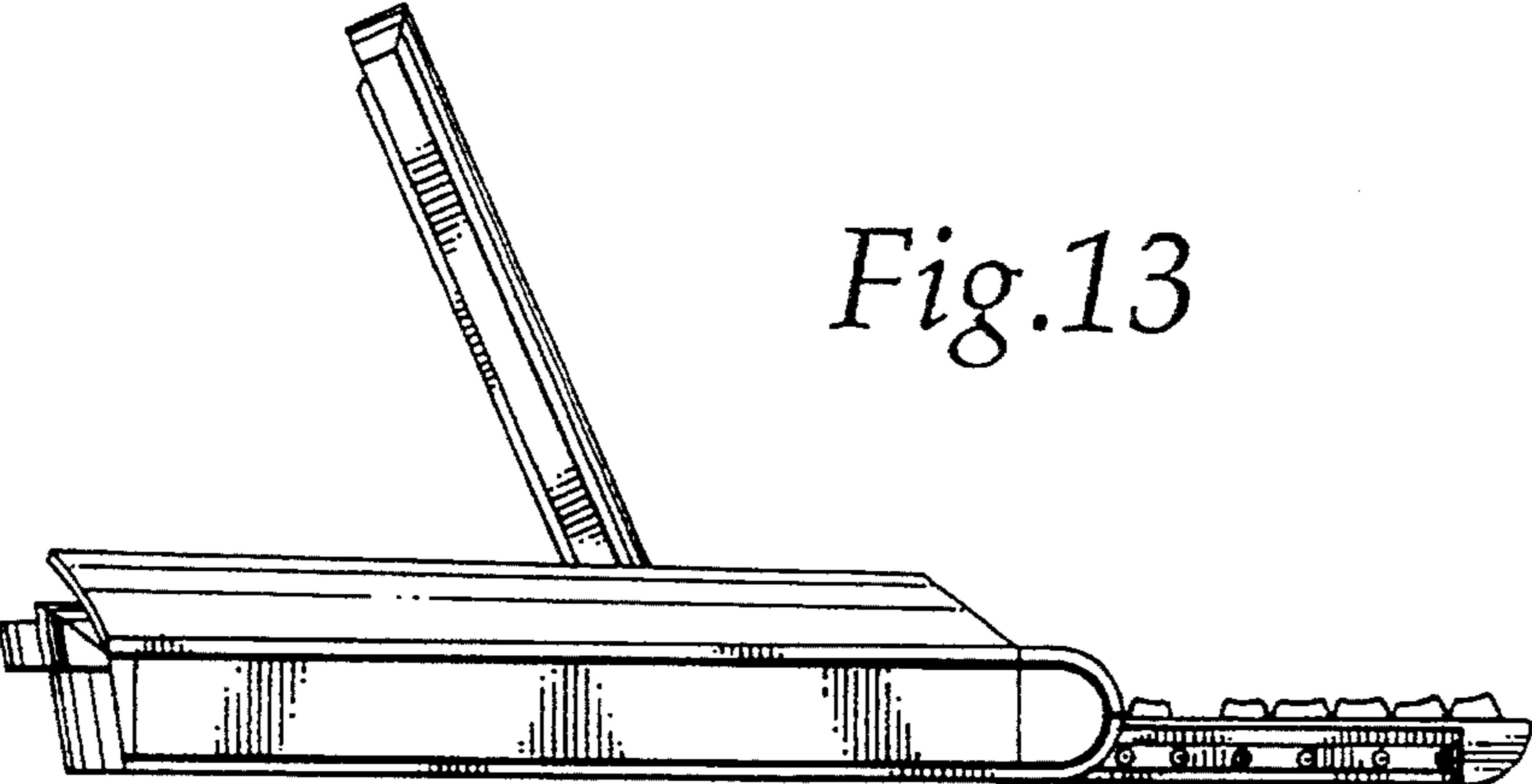


Fig. 14

