



US00D360191S

# United States Patent [19]

Carl et al.

[11] Patent Number: **Des. 360,191**

[45] Date of Patent: **\* Jul. 11, 1995**

[54] **SURGE SUPPRESSOR**

[75] Inventors: **Stewart R. Carl**, Palo Alto; **Arthur H. Zarnowitz**, Burlingame, both of Calif.

[73] Assignee: **Kensington Microware Limited**, San Mateo, Calif.

[\*] Notice: The portion of the term of this patent subsequent to Mar. 14, 2009 has been disclaimed.

[\*\*] Term: **14 Years**

[21] Appl. No.: **6,578**

[22] Filed: **Apr. 1, 1993**

[52] U.S. Cl. .... **D13/160; D13/142; D13/164**

[58] Field of Search ..... **D13/139, 142, 143, 160, D13/162, 164; 361/56, 91, 111, 119, 127; 439/501, 620, 651, 652, 655**

[56] **References Cited**

**U.S. PATENT DOCUMENTS**

- D. 288,920 3/1987 Oesterheld et al. .... D13/142
- D. 290,836 7/1987 Oesterheld et al. .... D13/142

- D. 314,183 1/1991 Wong ..... D13/160
- D. 314,369 2/1991 Sacherman ..... D13/160

**OTHER PUBLICATIONS**

Command console on p. 52 of *Midwest Micro* 1st edition catalog, 1992.  
Items 5895 and 6686 on p. 64 of *MacConnection*, winter '91-'92 catalog.

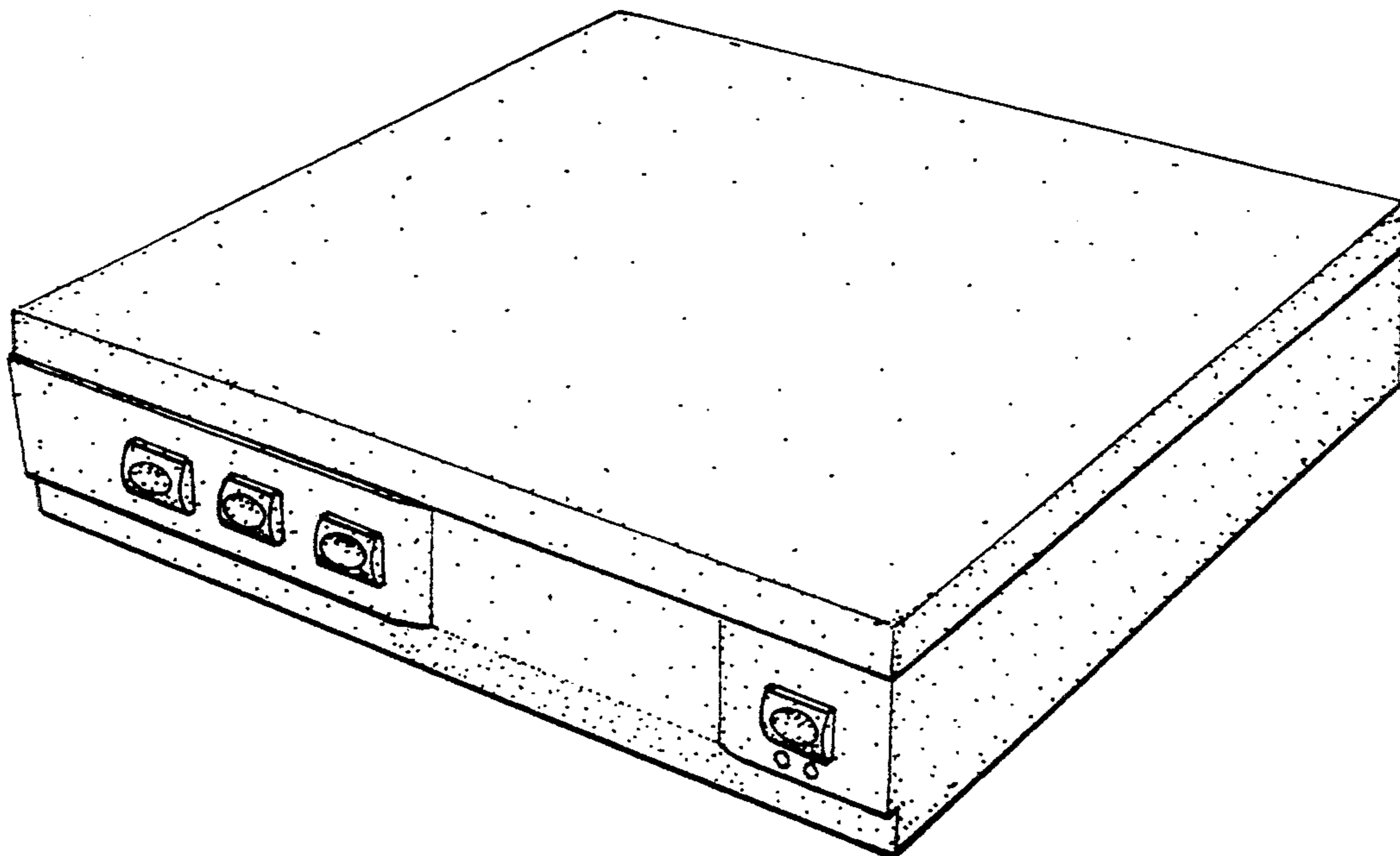
*Primary Examiner*—Joel Sincavage  
*Attorney, Agent, or Firm*—Townsend and Townsend Khourie and Crew

[57] **CLAIM**

The ornamental design for a surge suppressor, as shown and described.

**DESCRIPTION**

FIG. 1 is a perspective view of a surge suppressor showing our new design;  
FIG. 2 is a top plan view thereof;  
FIG. 3 is a front elevational view thereof;  
FIG. 4 is a right side elevational view, the left side elevational view being a mirror image;  
FIG. 5 is a rear elevational view thereof;  
FIG. 6 is a bottom plan view thereof; and,  
FIG. 7 is a rear and lower left perspective view thereof.



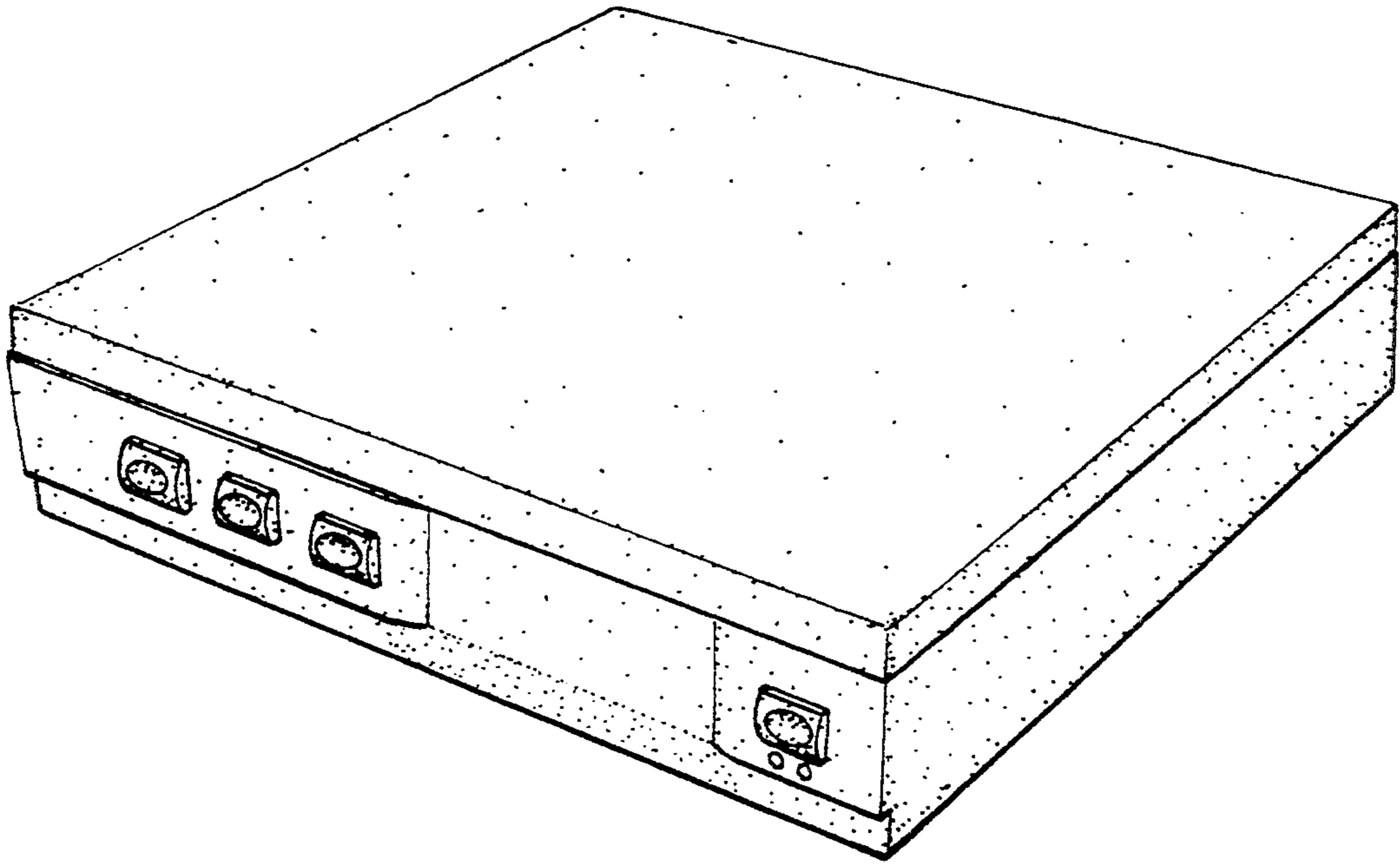


FIG. 1.

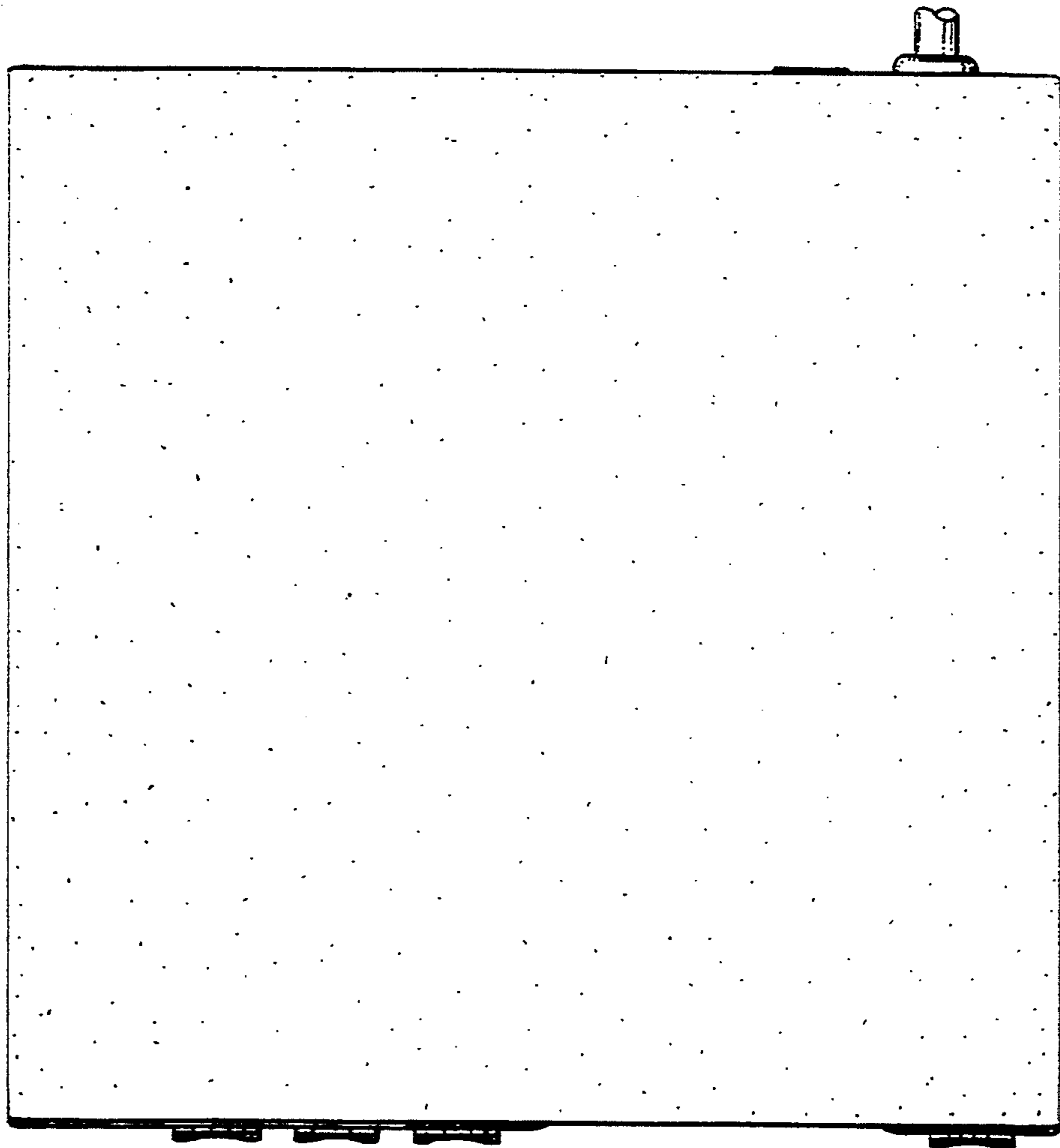


FIG. 2.

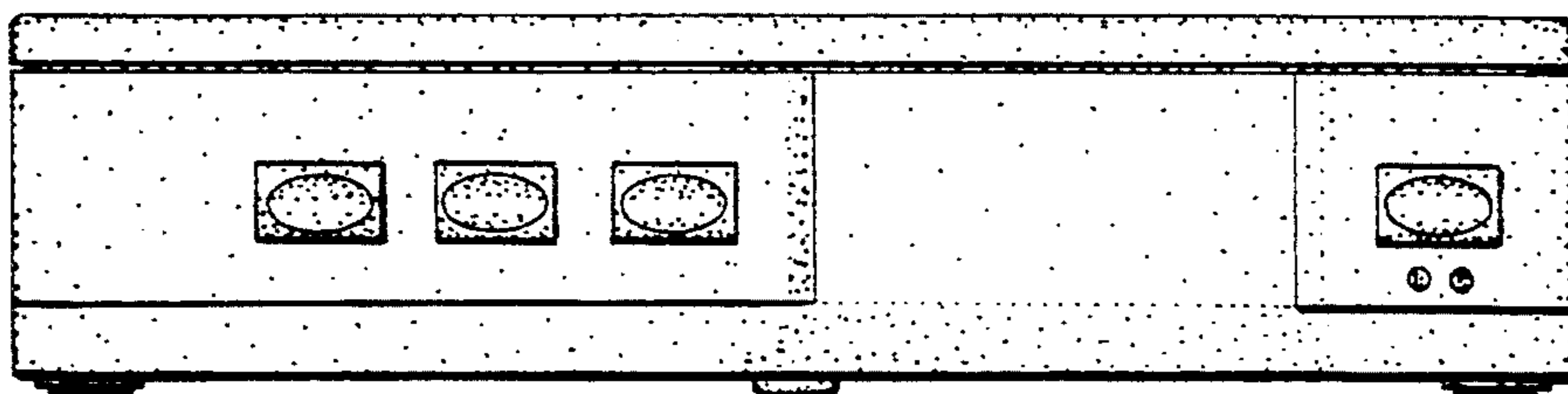


FIG. 3.

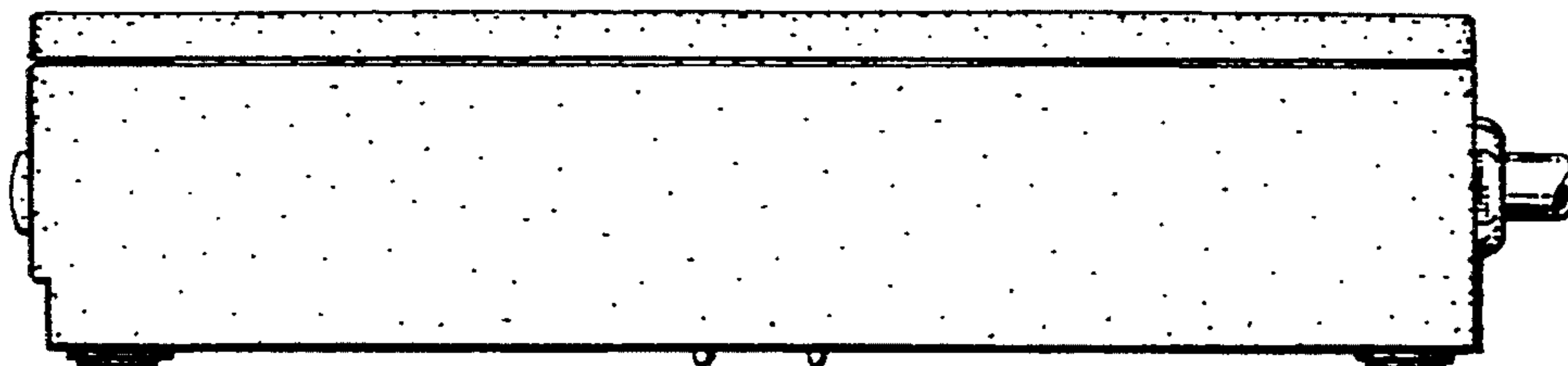


FIG. 4.

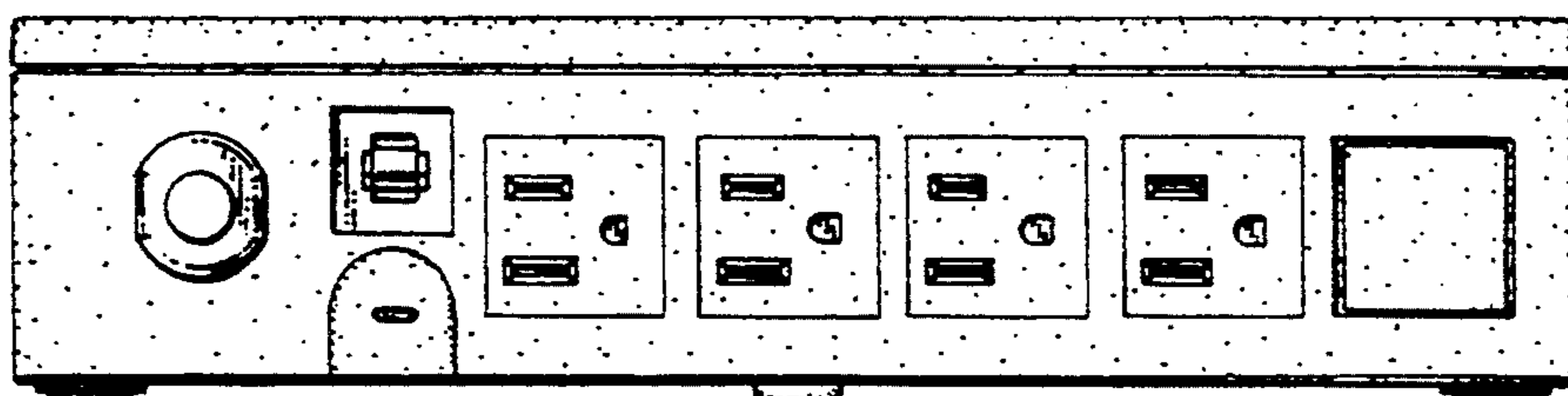


FIG. 5.

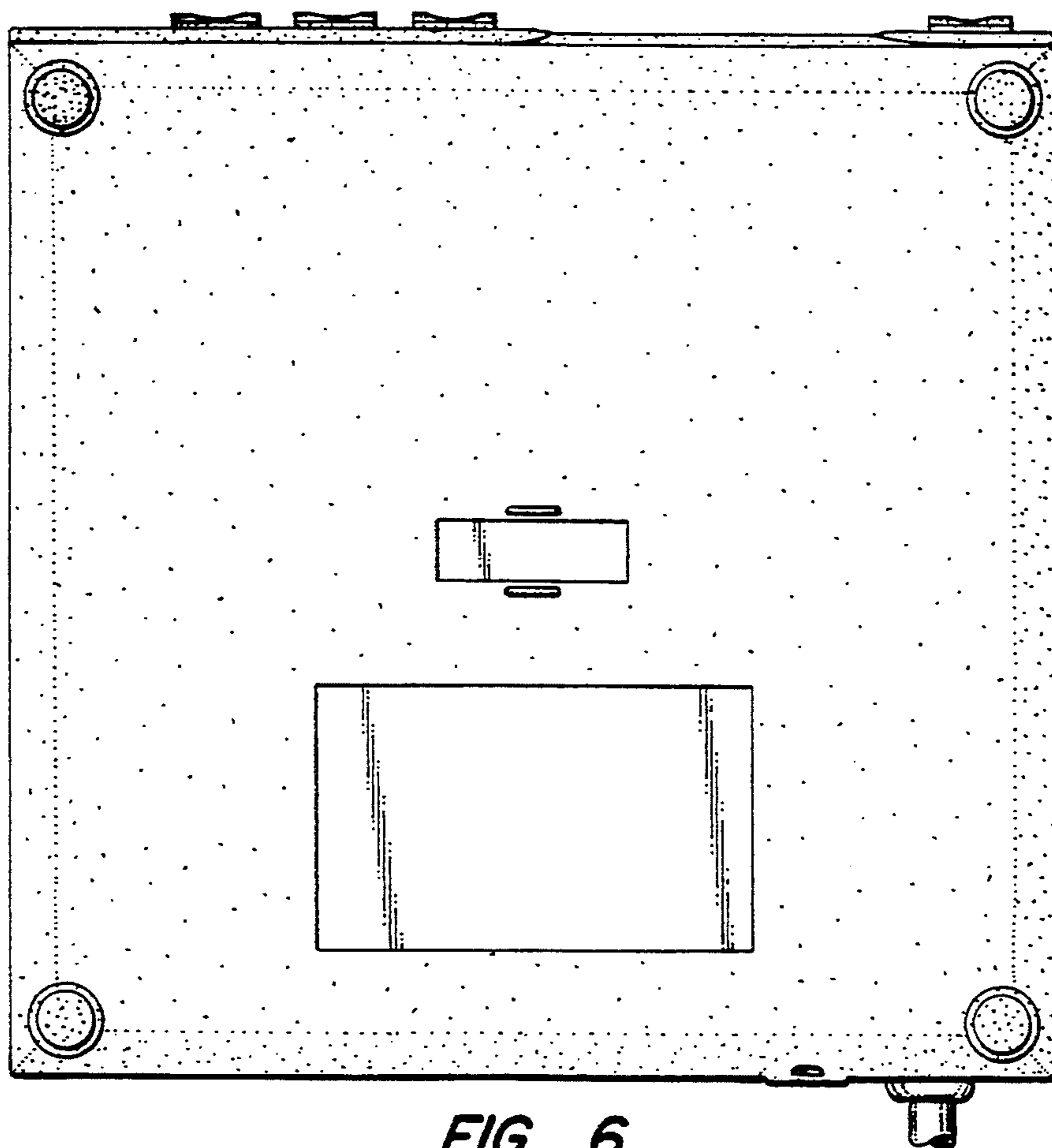


FIG. 6.

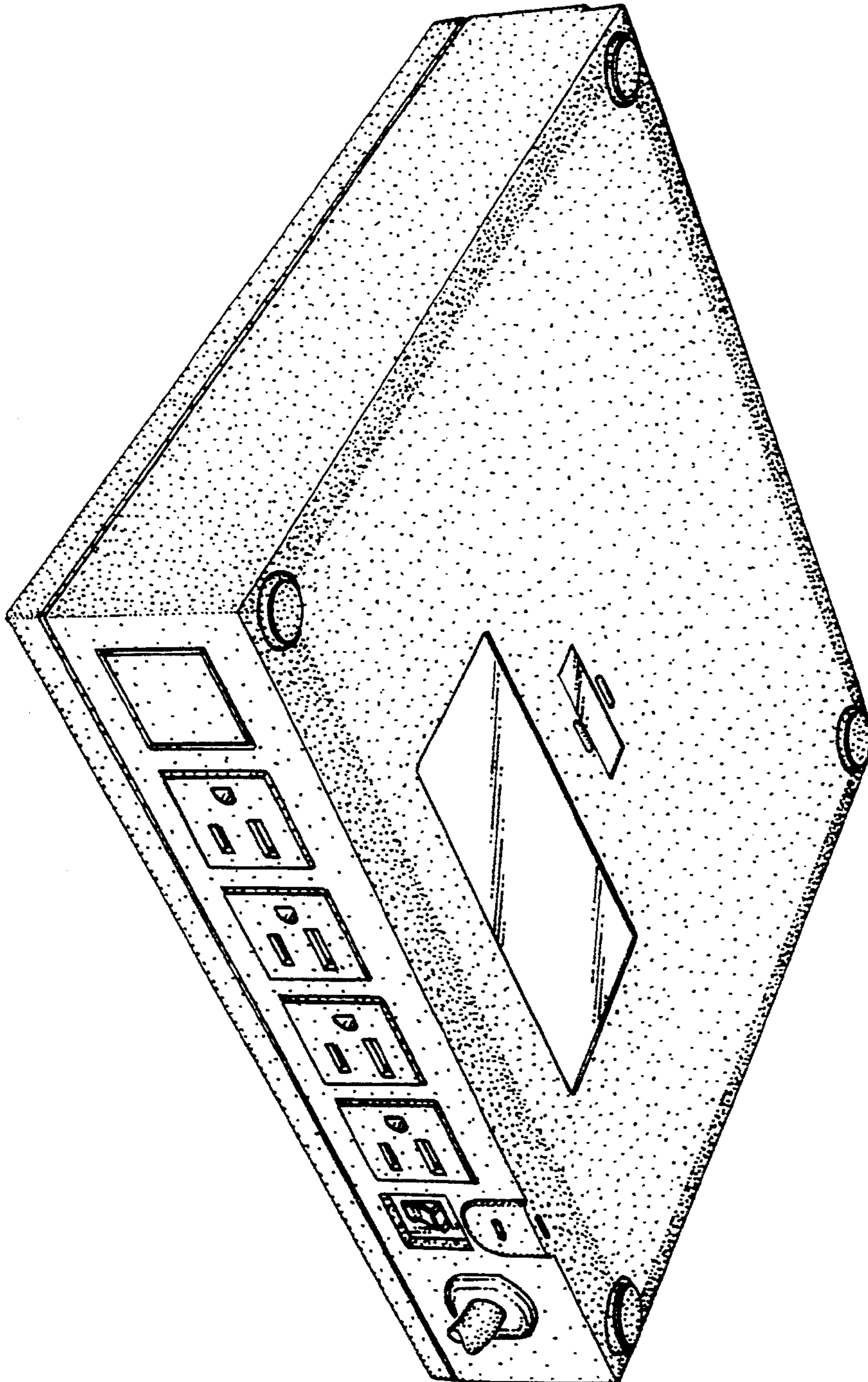


FIG. 7.