



US00D360188S

# United States Patent [19]

Kiely et al.

[11] Patent Number: **Des. 360,188**

[45] Date of Patent: **\*\* Jul. 11, 1995**

[54] JUNCTION BOX CONNECTOR

[75] Inventors: **Kenneth M. Kiely**, Milford; **Delbert L. Auray**, Fairfield, both of Conn.

[73] Assignee: **Bridgeport Fittings, Inc.**, Stratford, Conn.

[\*\*] Term: **14 Years**

[21] Appl. No.: **22,125**

[22] Filed: **May 2, 1994**

[52] U.S. Cl. .... **D13/152**

[58] Field of Search ..... D13/133, 149, 151, 155, D13/152; 439/108, 321; 174/59, 65 R, 60, 61; 285/82, 90, 158, 159, 161, 369, 370, 371

3,836,941 9/1974 Izraeli ..... 439/810 X  
 4,929,198 5/1990 Strate et al. .... 439/813 X  
 4,995,647 2/1991 Carey ..... 285/161  
 5,165,735 11/1992 Nardi et al. .... 285/90 X

### FOREIGN PATENT DOCUMENTS

496659 10/1953 Canada ..... 439/814  
 2457021 1/1981 France ..... 439/814

*Primary Examiner*—James M. Gandy  
*Assistant Examiner*—Joel Sincavage  
*Attorney, Agent, or Firm*—Melvin I. Stoltz

### [57] CLAIM

The ornamental design for a junction box connector, as shown and described.

### DESCRIPTION

FIG. 1 is a perspective view of the junction box connector showing our new design;  
 FIG. 2 is a top plan view thereof;  
 FIG. 3 is a side elevational view thereof, the opposite side being a mirror image thereof;  
 FIG. 4 is a front elevational view thereof;  
 FIG. 5 is a rear elevational view thereof; and,  
 FIG. 6 is a bottom plan view thereof.

[56] **References Cited**  
**U.S. PATENT DOCUMENTS**

D. 243,405 2/1977 Mooney et al. .... D13/149  
 D. 336,282 6/1993 Guginsky ..... D13/133  
 D. 339,793 9/1993 Nardi et al. .... D13/149  
 2,973,212 2/1961 Rose ..... D13/149 X  
 3,321,219 5/1967 Sebo ..... 285/161  
 3,454,291 7/1969 Goldsobel et al. .... 285/161 X

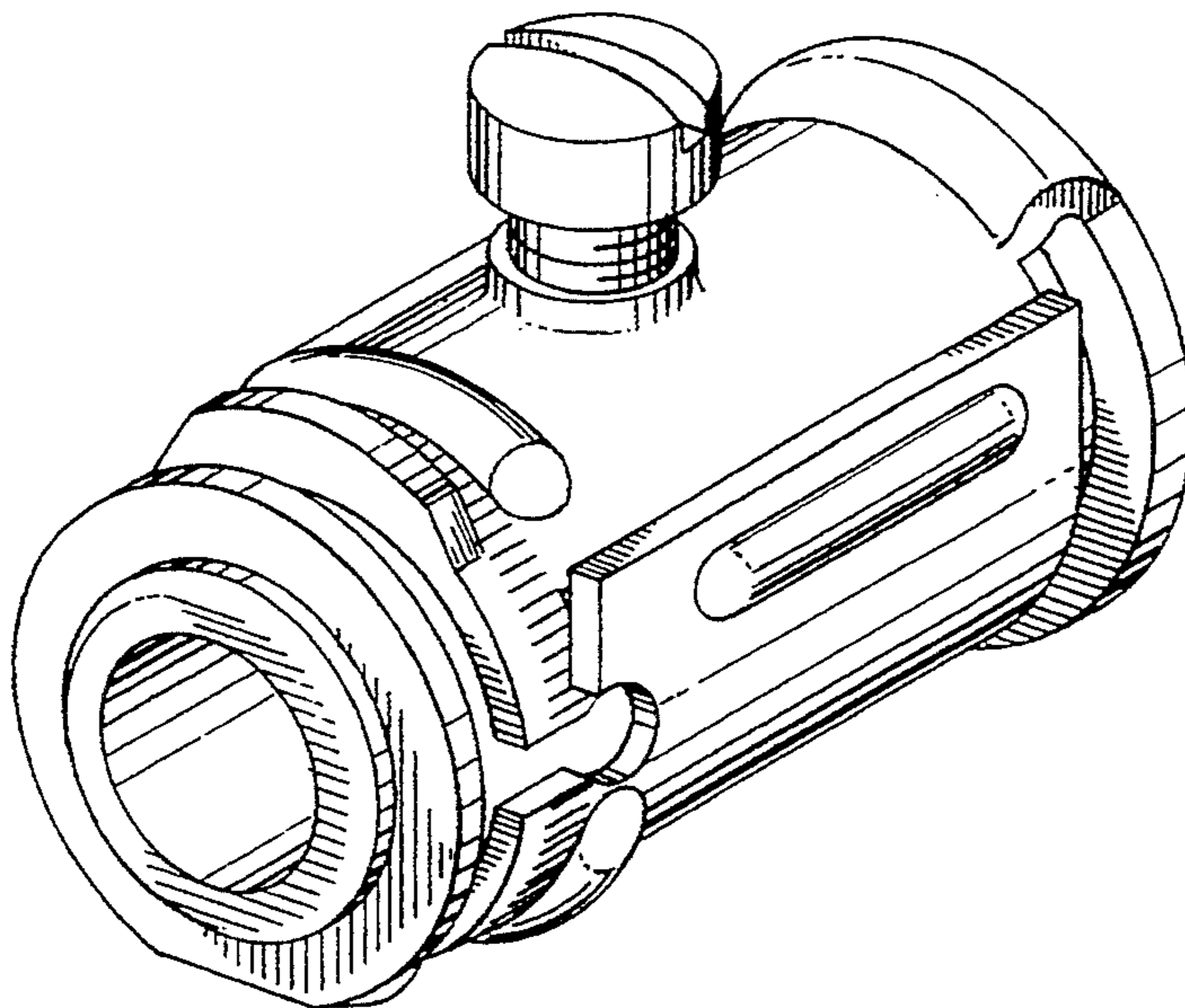


FIG. 1

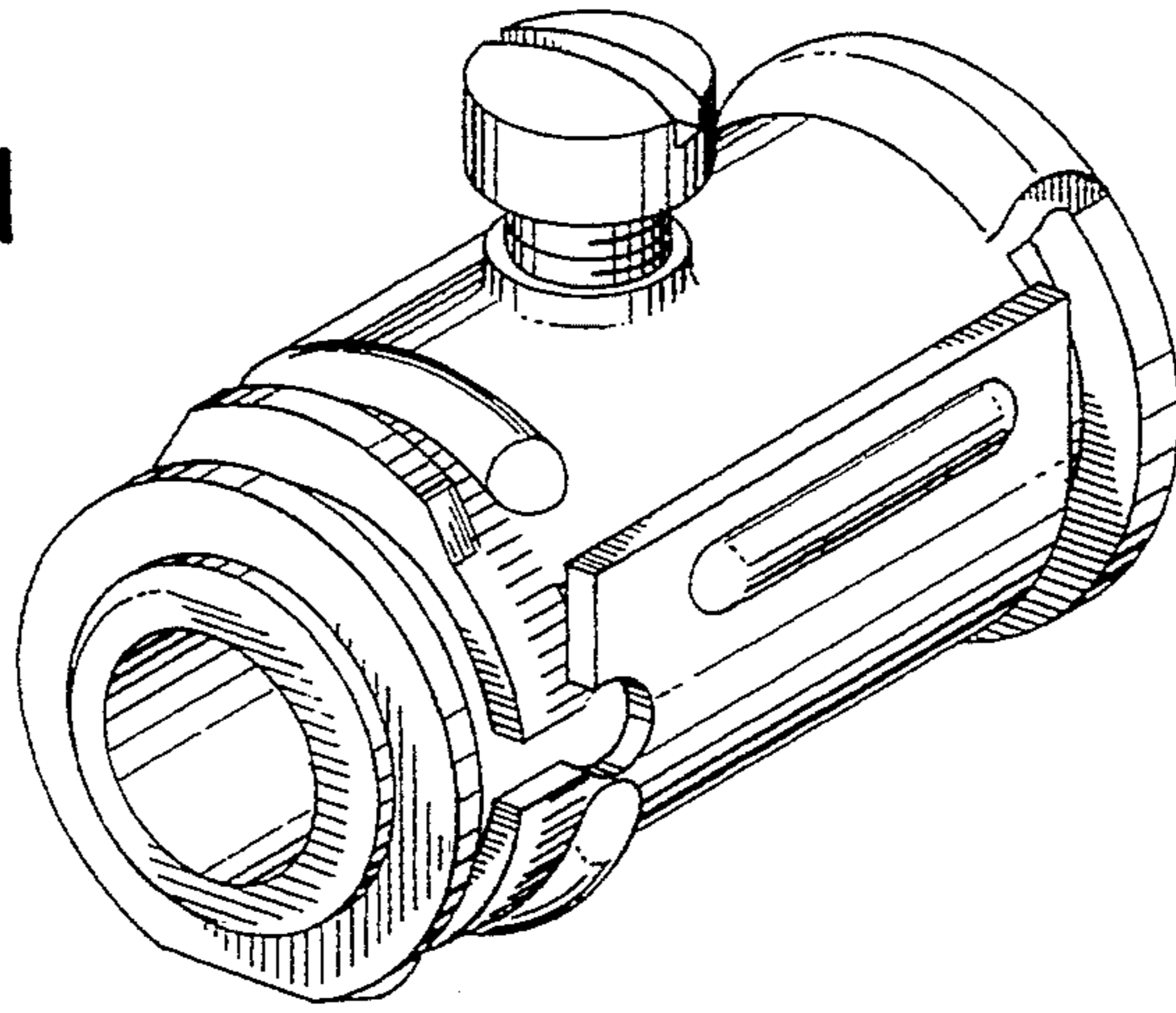


FIG. 2

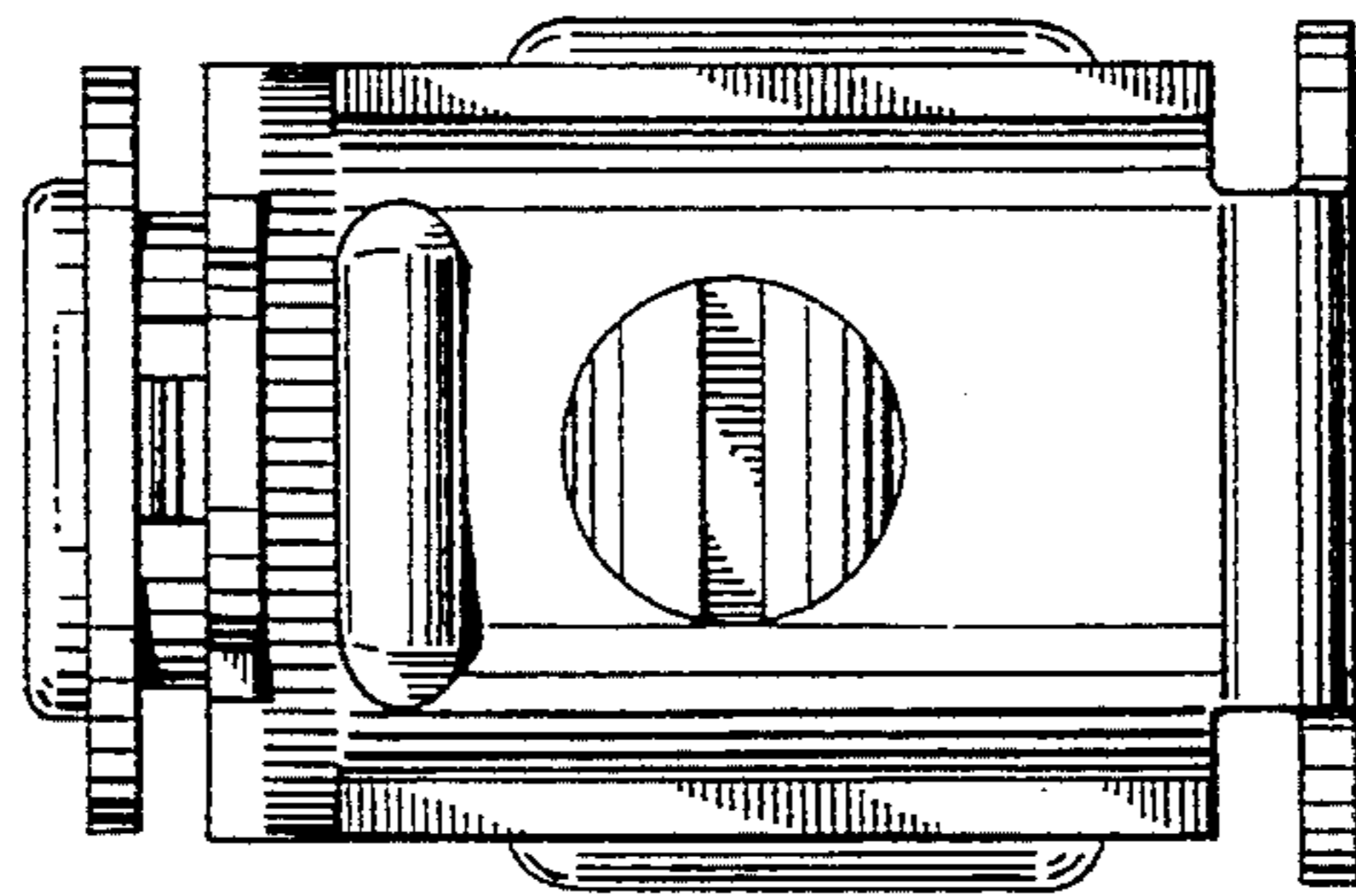


FIG. 3

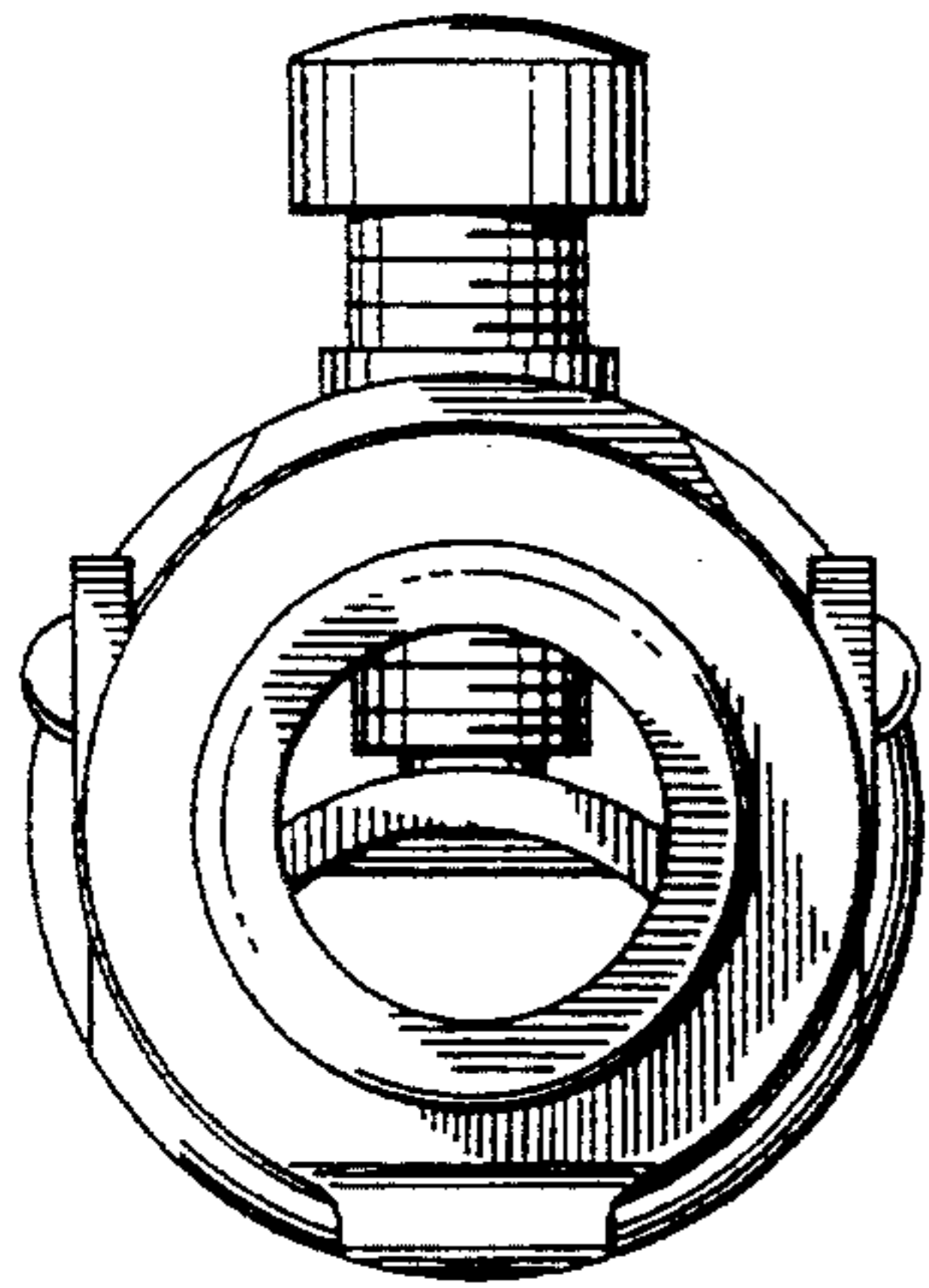
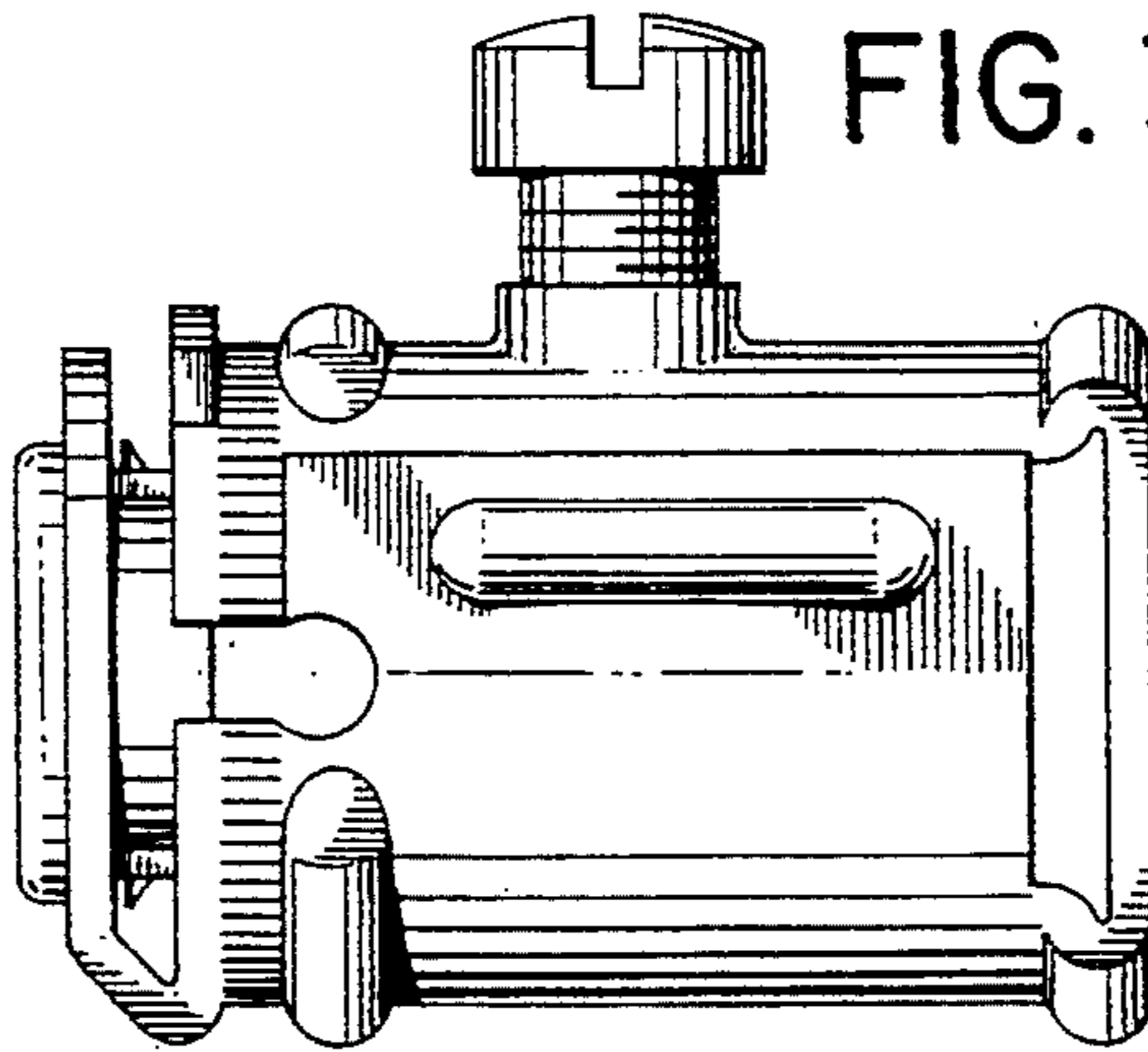


FIG. 4

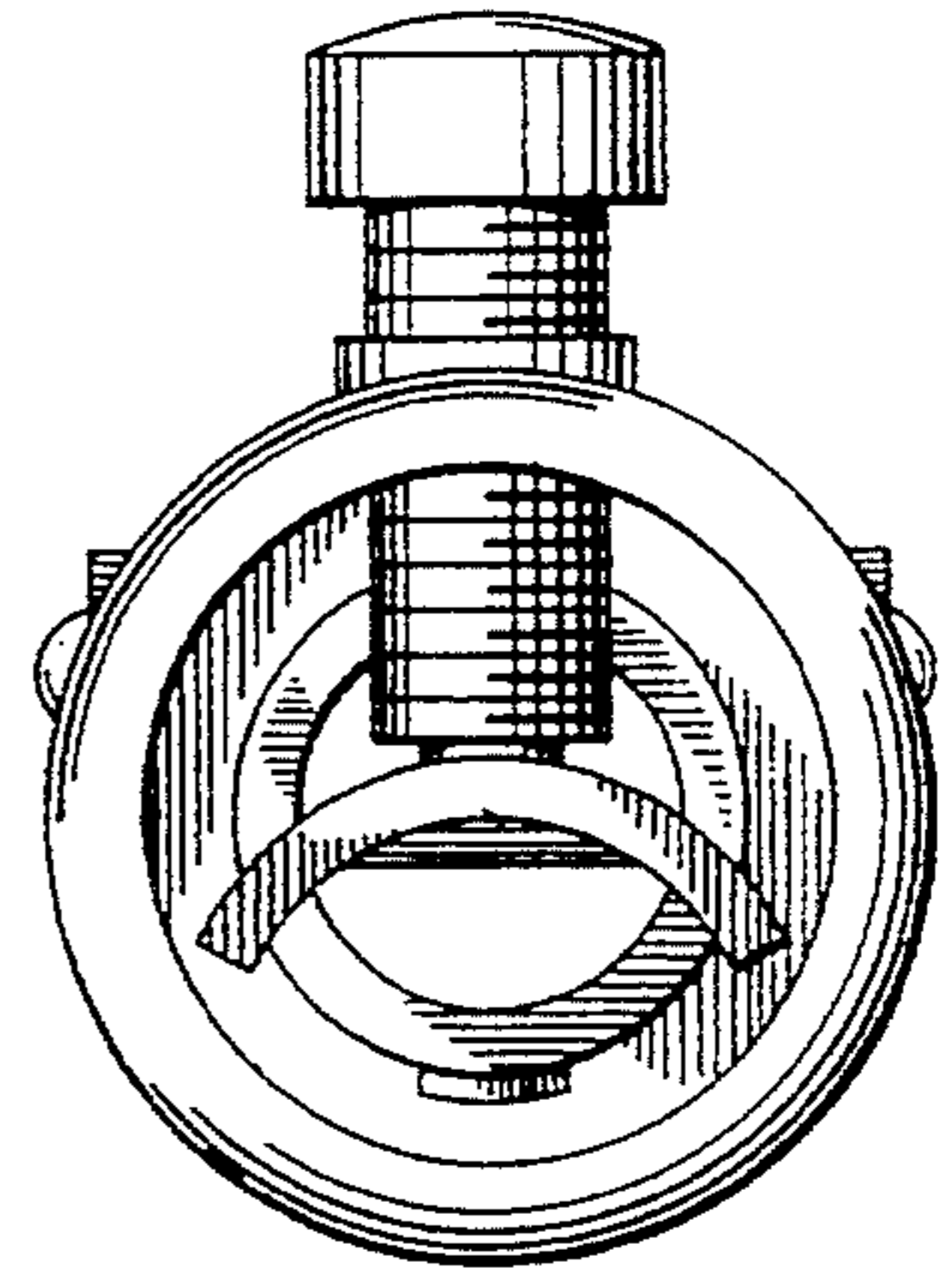


FIG. 5

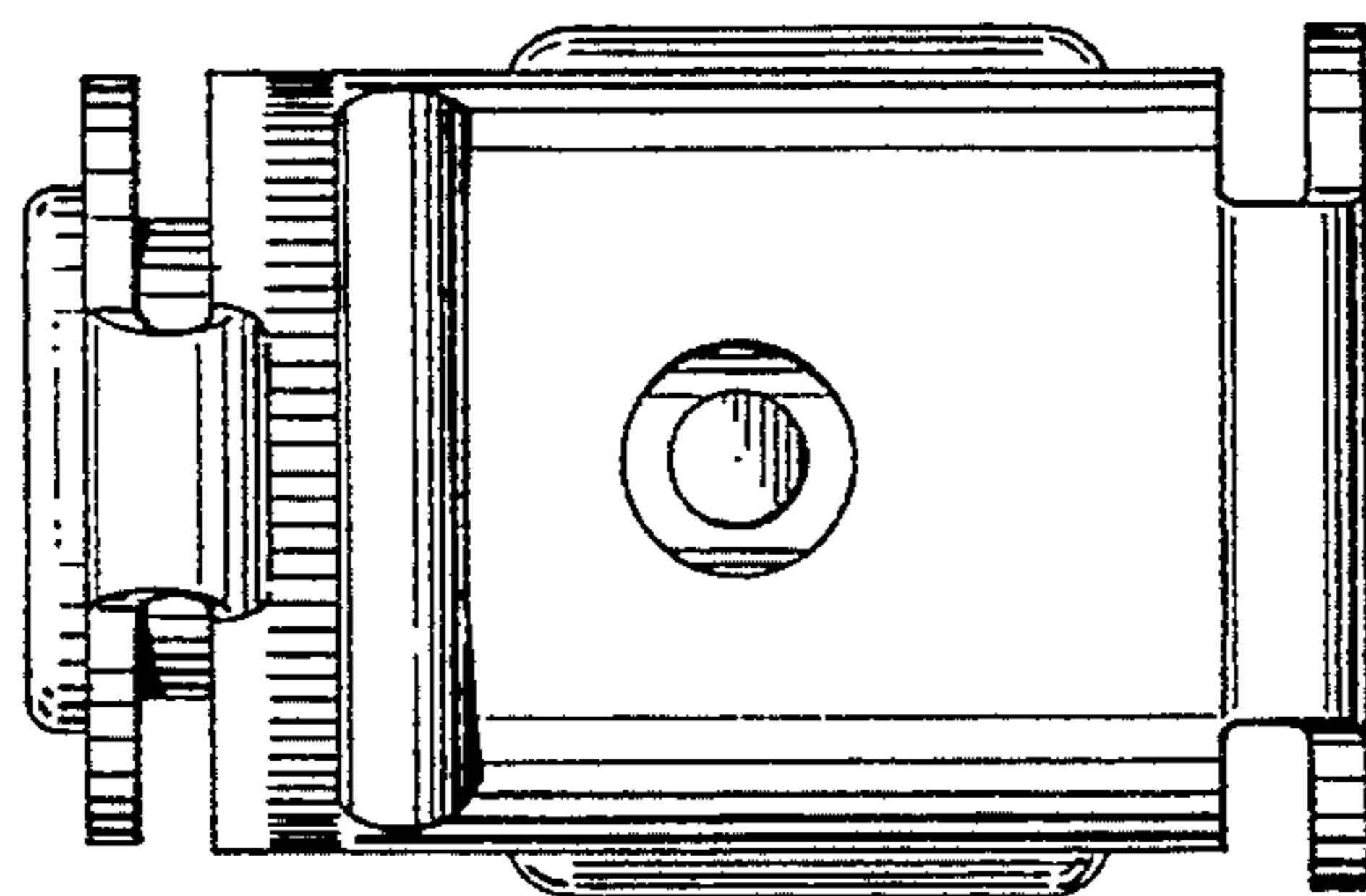


FIG. 6