



US00D360187S

# United States Patent [19]

[11] Patent Number: **Des. 360,187**

Starec et al.

[45] Date of Patent: **\*\* Jul. 11, 1995**

[54] ELECTRICAL CONNECTOR

[57] CLAIM

[75] Inventors: **Rado Starec**, Tullamarine; **Antonino Schiavello**, Templestowe; **James G. Cowhey**, Bulleen, all of Australia

The ornamental design for an electrical connector, as shown and described.

[73] Assignee: **Light On Pty Ltd**, Tullamarine, Australia

### DESCRIPTION

[\*\*] Term: **14 Years**

FIG. 1 is a front and upper right perspective view of the electrical connector showing our new design with the socket portion omitted for convenience of illustration; FIG. 2 is a front and upper right perspective view of the electrical connector shown with the plug portion omitted for convenience of illustration; FIG. 3 is a front and lower left perspective view of the electrical connector shown with the socket portion omitted for convenience of illustration; FIG. 4 is a front and lower left perspective view of the electrical connector shown with the plug portion omitted for convenience of illustration; FIG. 5 is a top plan view of the electrical connector shown with the socket portion omitted for convenience of illustration; FIG. 6 is a right side elevational view thereof, the left side elevational view thereof being a mirror image; FIG. 7 is a front end elevational view thereof; FIG. 8 is a rear end elevational view thereof; FIG. 9 is a bottom plan view thereof; FIG. 10 is a top plan view of the electrical connector shown with the plug portion omitted for convenience of illustration; FIG. 11 is a right side elevational view thereof, the left side elevational view thereof being a mirror image; FIG. 12 is a front end elevational view thereof; FIG. 13 is a rear end elevational view thereof; FIG. 14 is a bottom plan view thereof; and, FIG. 15 is a front end upper right perspective view of the electrical connector showing the plug and socket connected.

[21] Appl. No.: **15,438**

[22] Filed: **Nov. 17, 1993**

[52] U.S. Cl. .... **D13/146**

[58] Field of Search ..... D13/133, 137, 138, 146, D13/147; 439/606, 660, 677, 680, 682, 687, 692, 696

### [56] References Cited

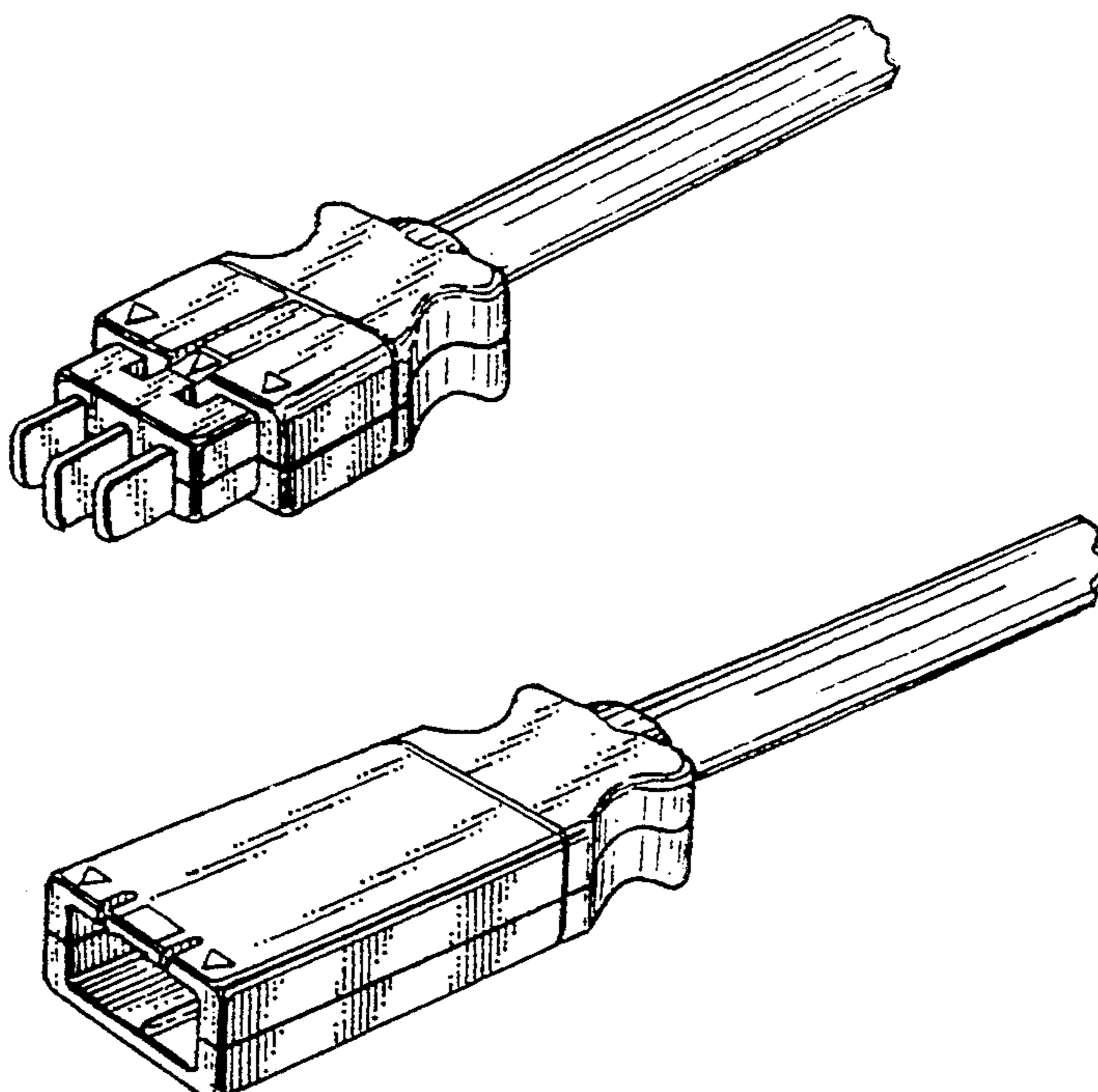
#### U.S. PATENT DOCUMENTS

- D. 147,634 10/1947 Bindman ..... D13/138
- D. 254,747 4/1980 Healey ..... D13/147
- 2,502,860 4/1950 Leitheser, Jr. .... D13/138 X
- 4,746,298 5/1988 Hollander ..... 439/677 X

#### FOREIGN PATENT DOCUMENTS

- 936607 11/1973 Canada ..... 439/677
- 713211 10/1931 France ..... 439/680
- 218993 6/1942 Switzerland ..... 439/696

Primary Examiner—Joel Sincavage  
Attorney, Agent, or Firm—Chilton, Alix & Van Kirk



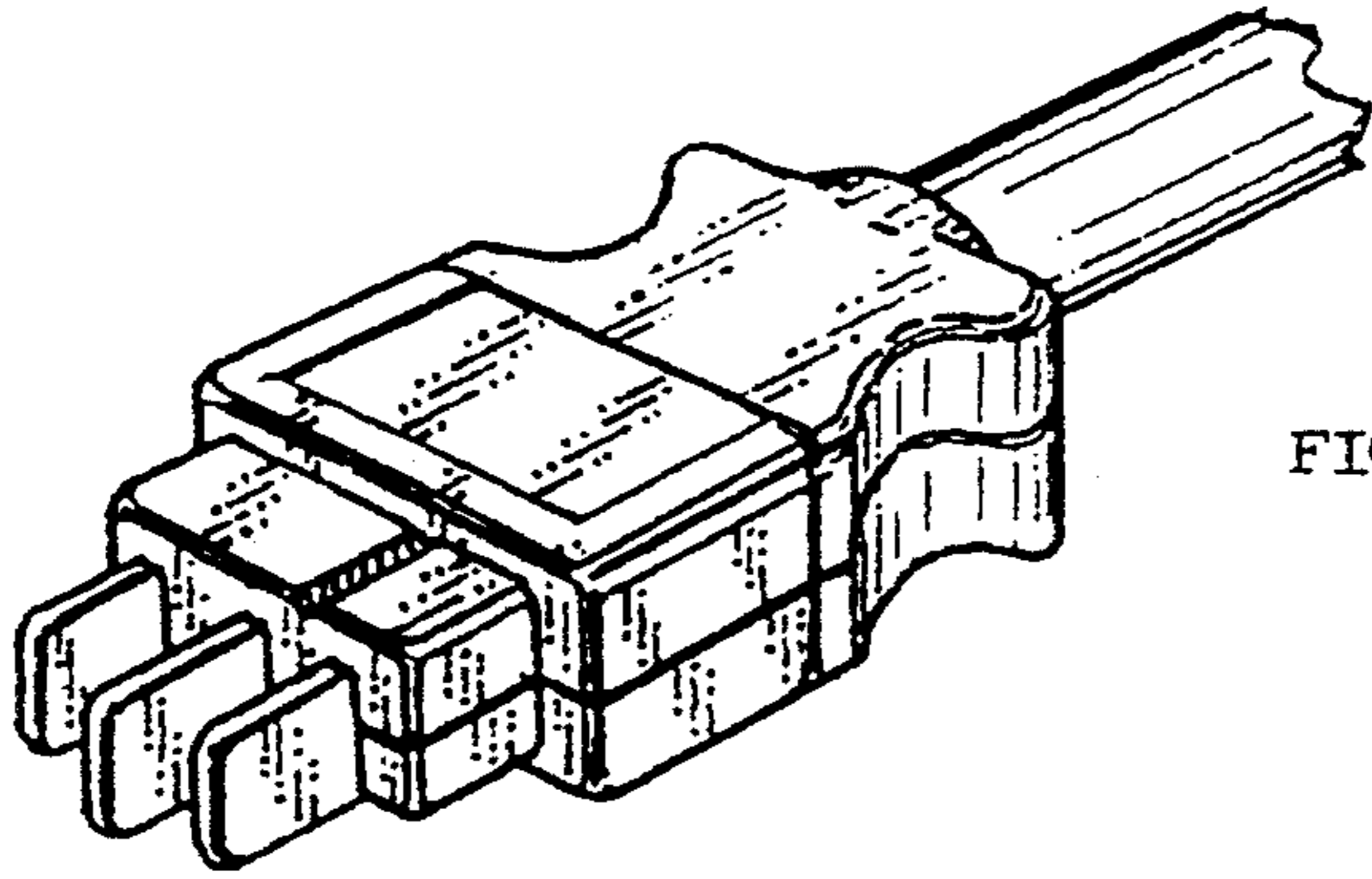


FIG. 1

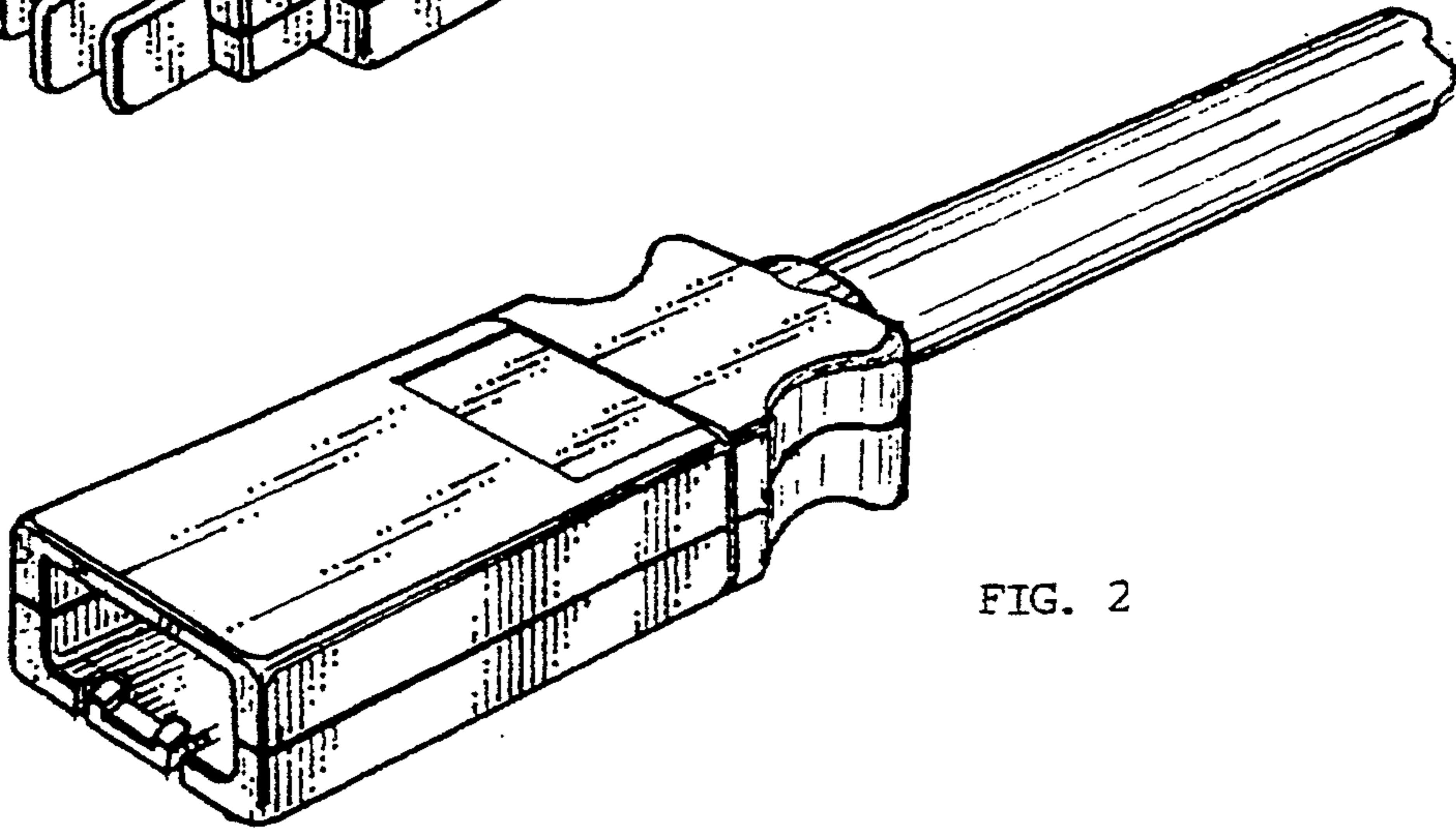


FIG. 2

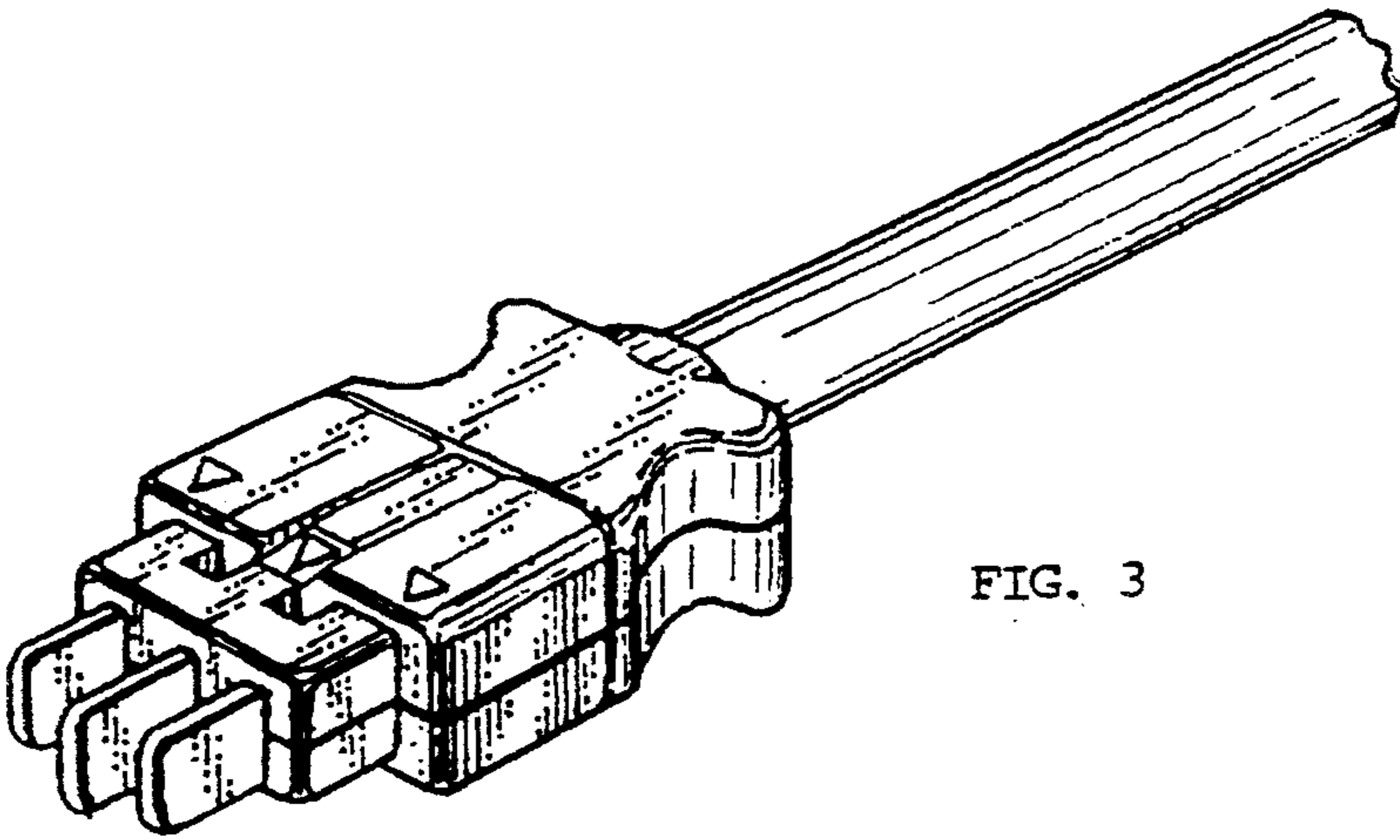


FIG. 3

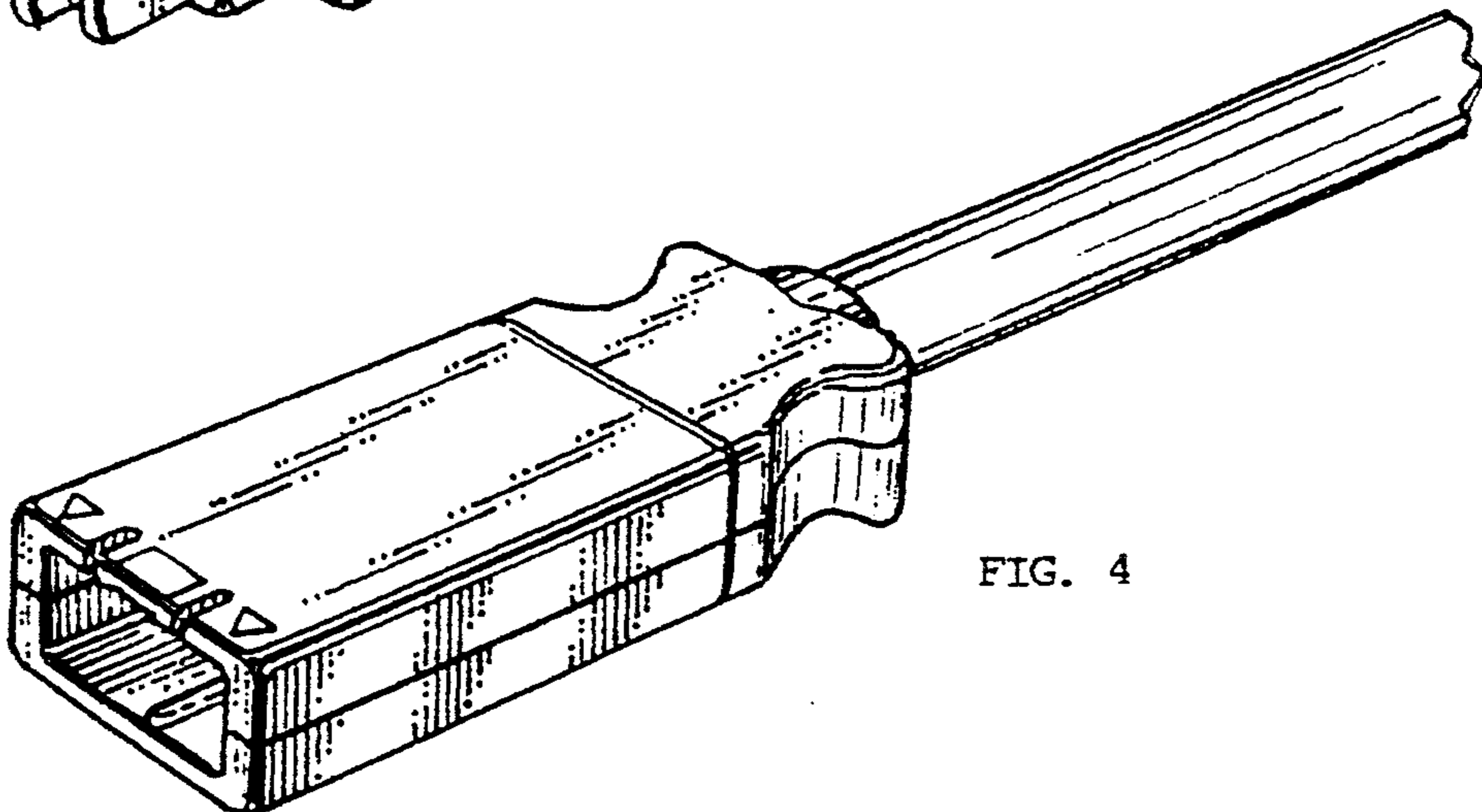


FIG. 4

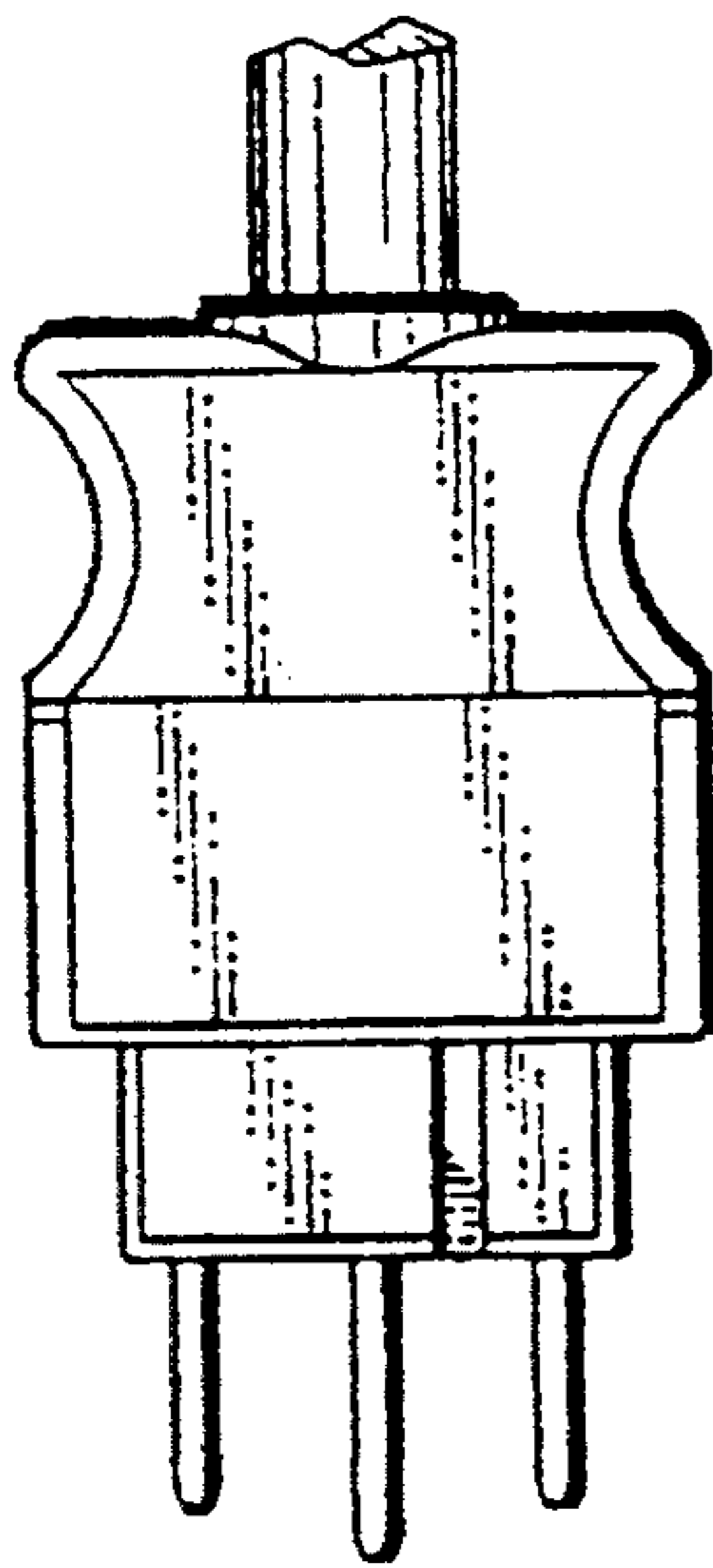


FIG. 5

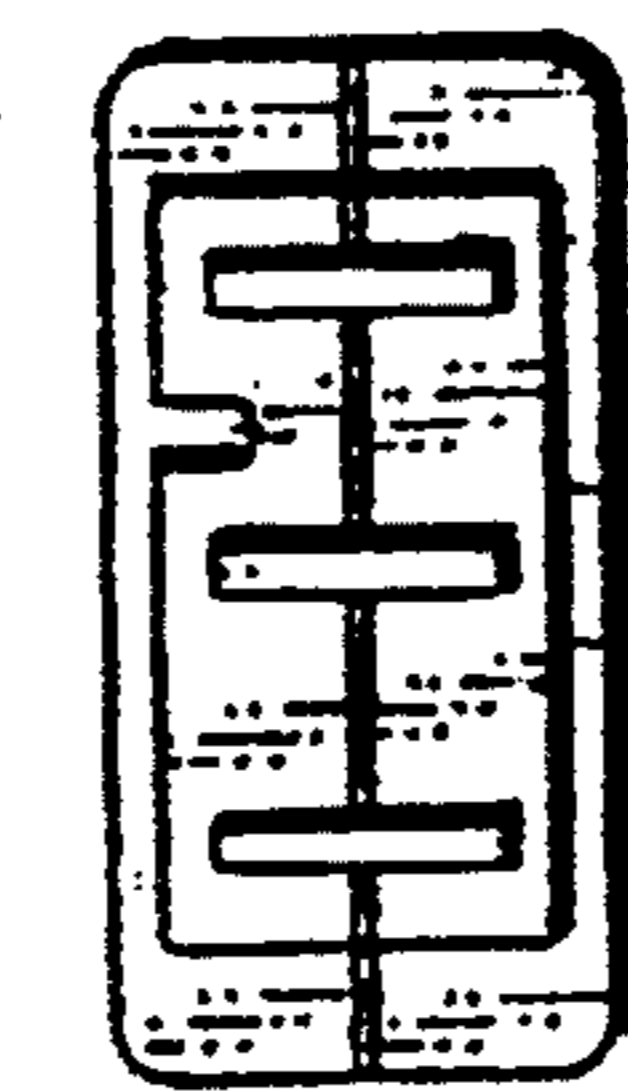


FIG. 7

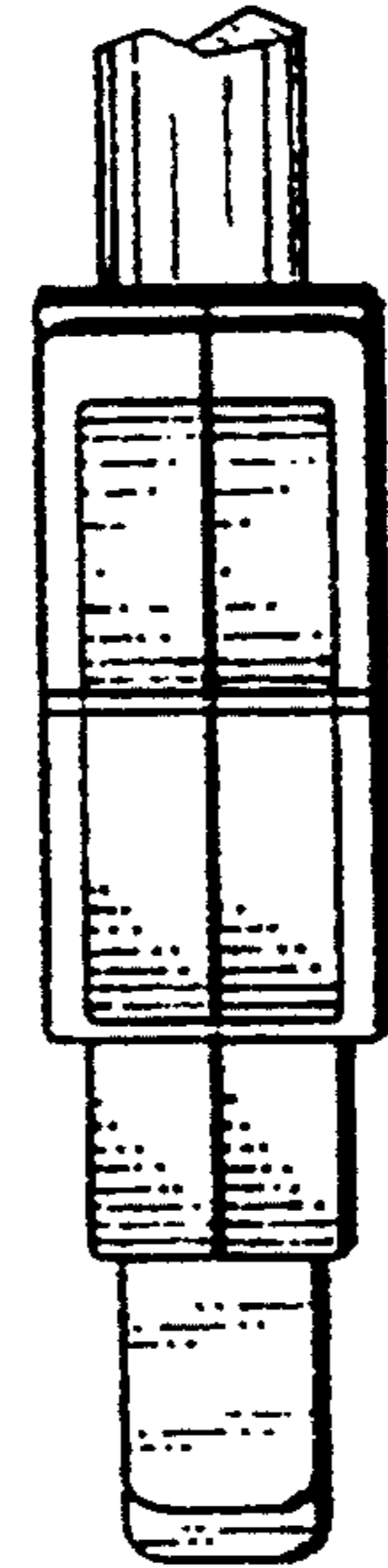


FIG. 6

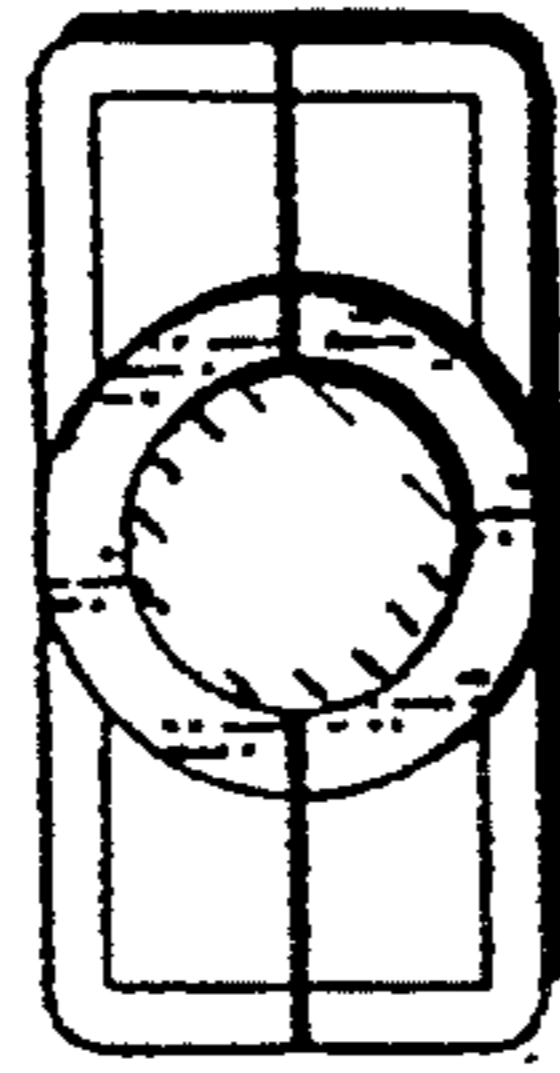


FIG. 8

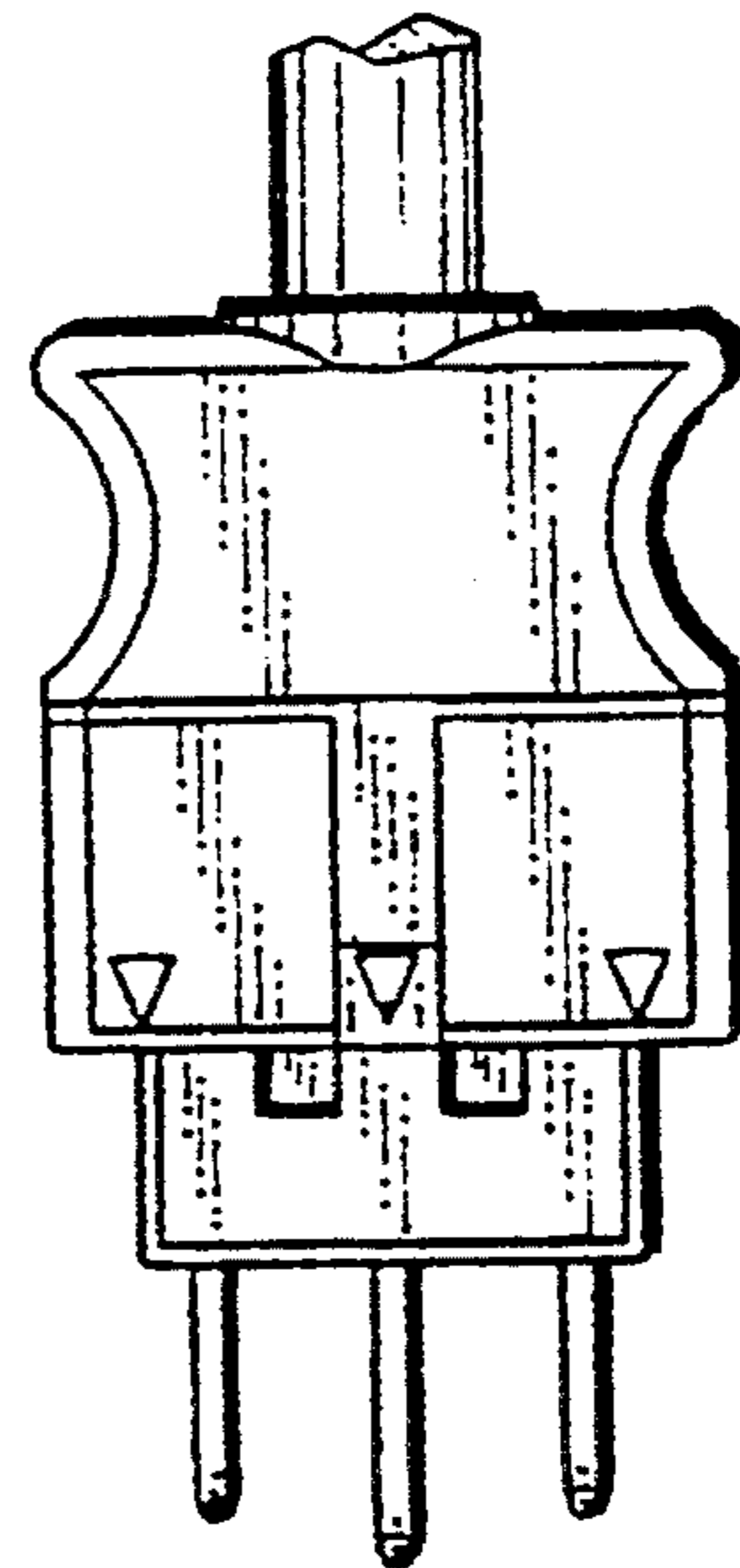


FIG. 9

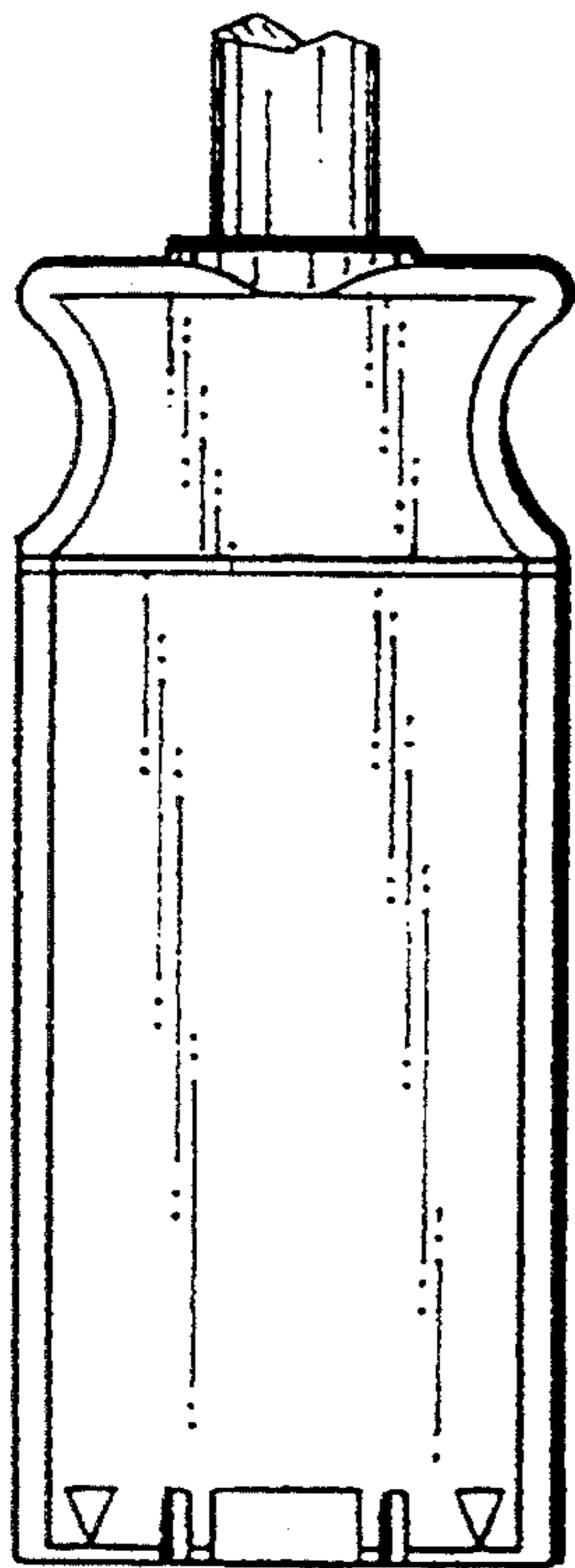


FIG. 10

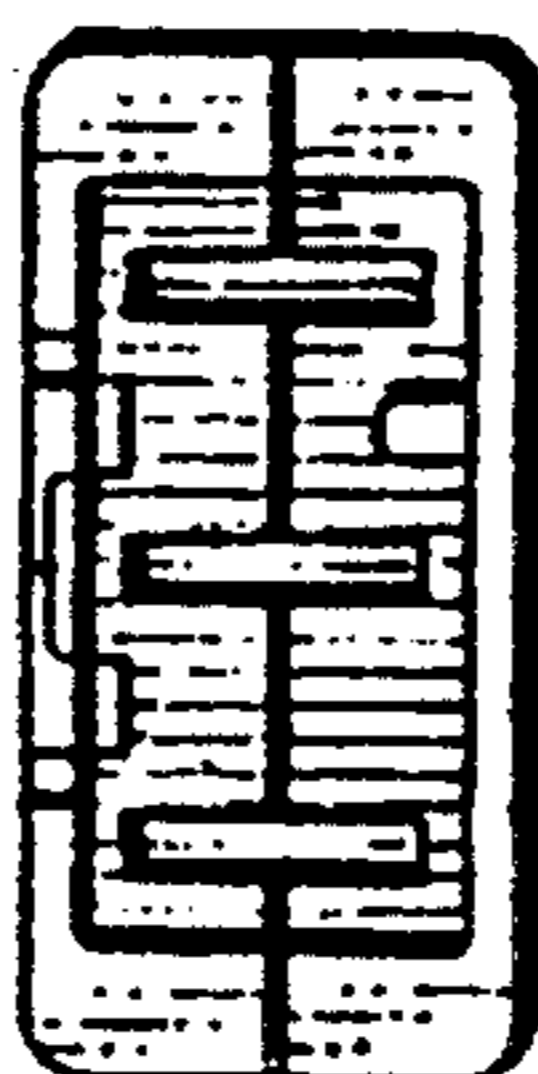


FIG. 12

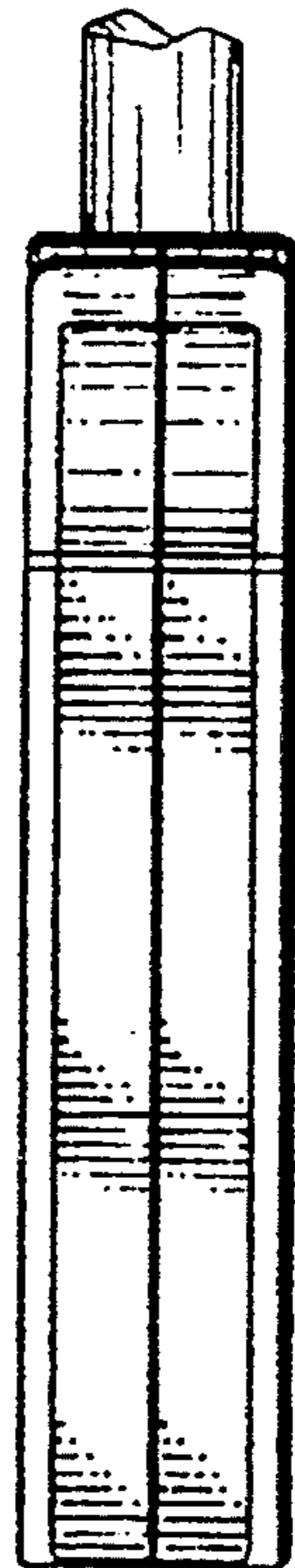


FIG. 11

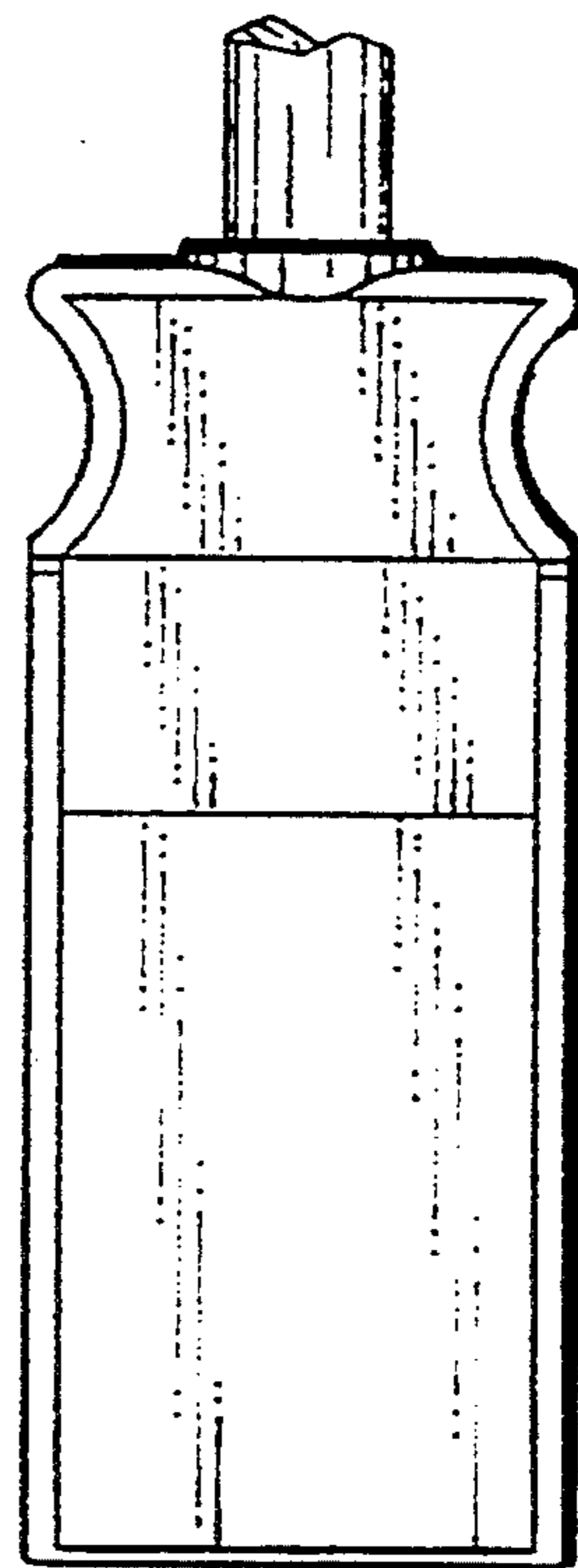


FIG. 14

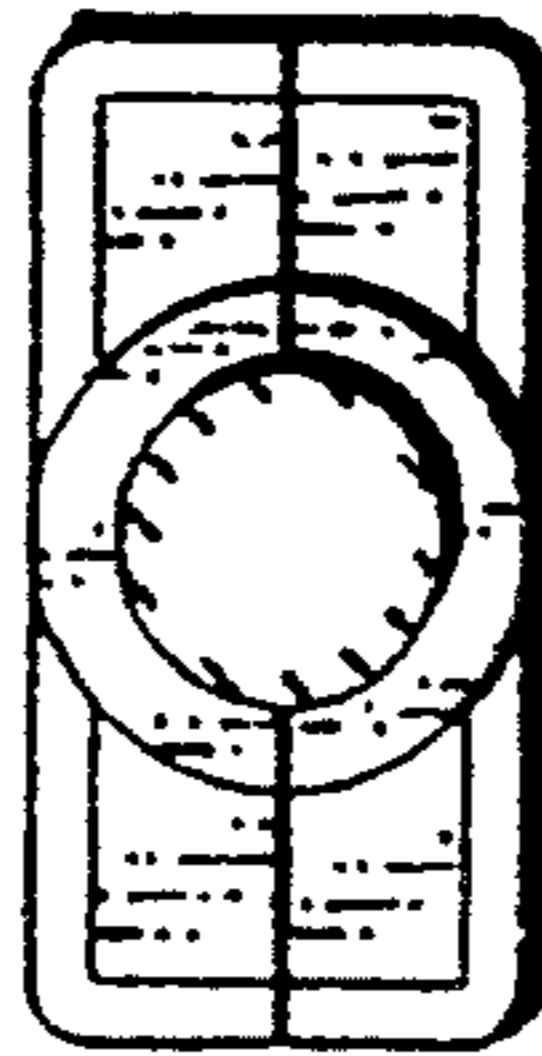


FIG. 13

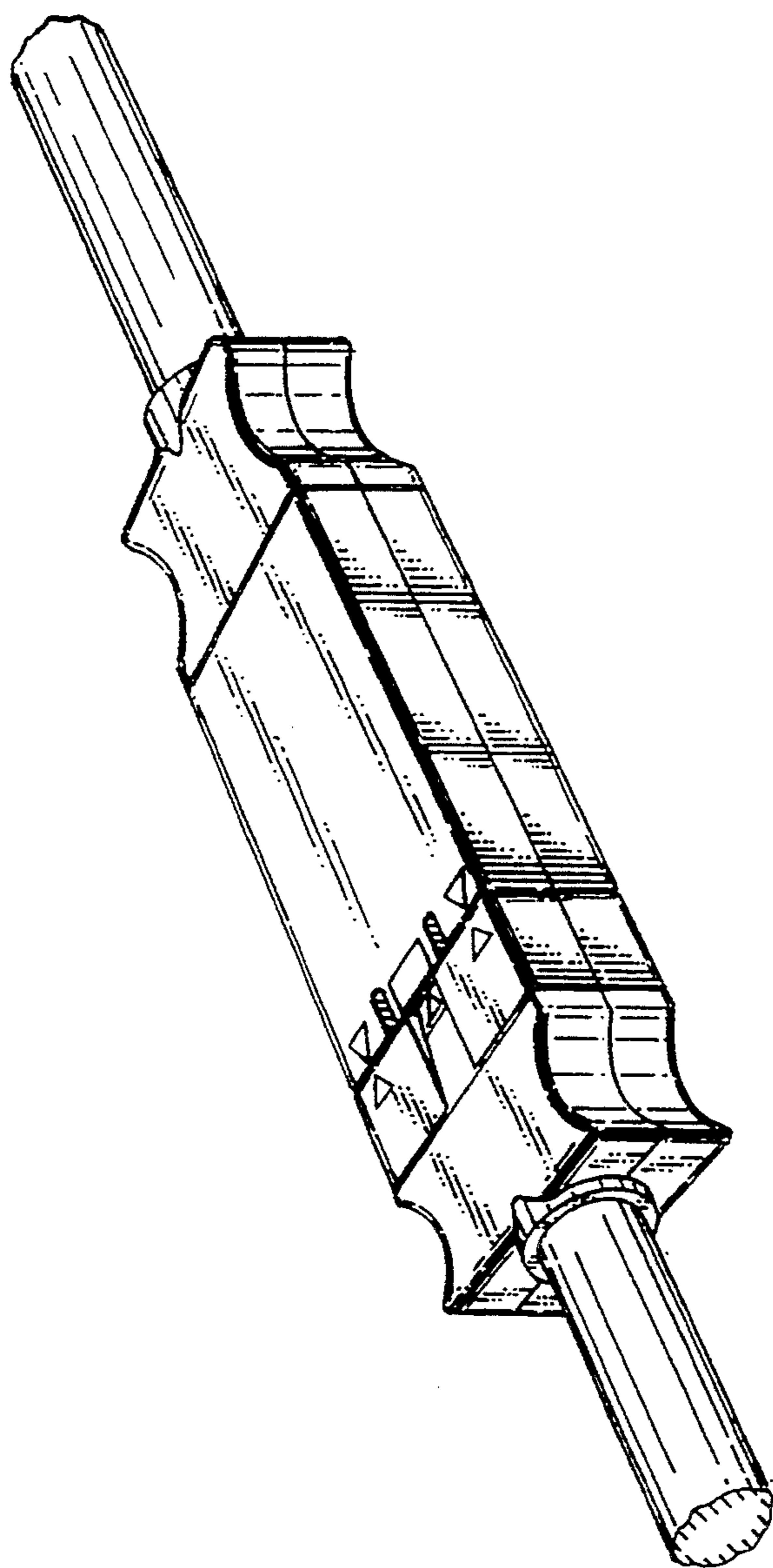


FIG. 15