



US00D360186S

# United States Patent [19]

Netz et al.

[11] Patent Number: **Des. 360,186**

[45] Date of Patent: **\*\* Jul. 11, 1995**

## [54] MOTORCYCLE VOLTAGE REGULATOR

[75] Inventors: **Louis Netz, Grafton; David A. Safarik, Muskego, both of Wis.**

[73] Assignee: **Harley-Davidson, Inc., Milwaukee, Wis.**

[\*\*] Term: **14 Years**

[21] Appl. No.: **20,877**

[22] Filed: **Apr. 5, 1994**

[52] U.S. Cl. .... **D13/124**

[58] Field of Search ..... **D13/110, 124; D12/114; 361/18, 91, 752; 322/28**

### [56] **References Cited**

#### **U.S. PATENT DOCUMENTS**

- D. 314,175 1/1991 Takeshita et al. .... D13/124
- D. 351,134 10/1994 Hunziker ..... D13/110
- 5,297,025 3/1994 Shoquist et al. .... 361/752 X

## OTHER PUBLICATIONS

Harley-Davidson, Inc. Parts Catalog 1340 Big Twin 1987-1989, pp. 26 and 27.

Power supplies on p. 179 *EDN*, May 10, 1990.

Ignition systems on p. 168 of *J. C. Whitney & Co. Cat. No. 565J*, ©1994.

*Primary Examiner*—Joel Sincavage

*Attorney, Agent, or Firm*—Michael Best & Friedrich

## [57] **CLAIM**

The ornamental design for a motorcycle voltage regulator, as shown and described.

## **DESCRIPTION**

FIG. 1 is a top perspective view of an ornamental design of a motorcycle voltage regulator according to our invention;

FIG. 2 is a bottom perspective view thereof;

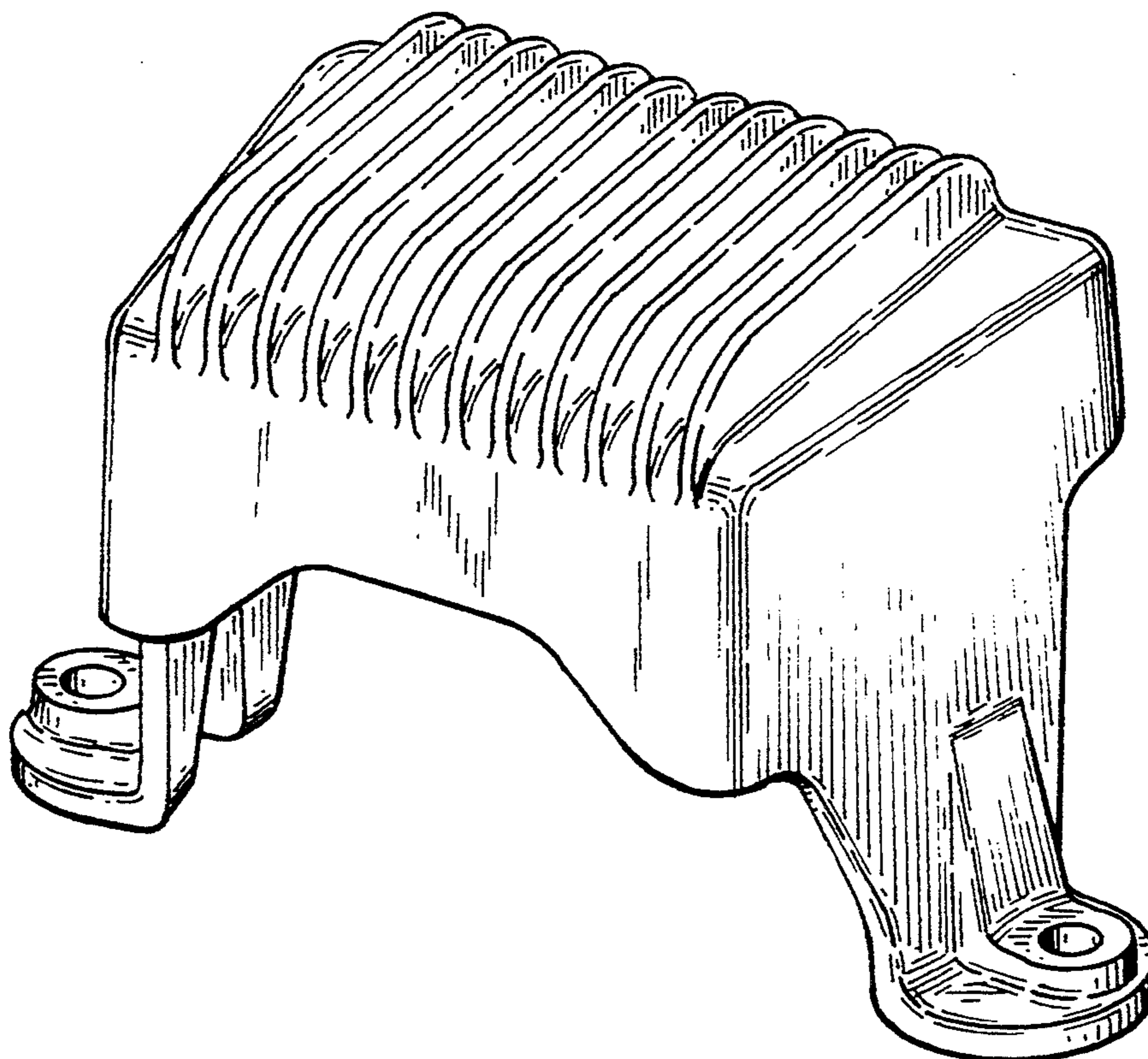
FIG. 3 is a front view thereof;

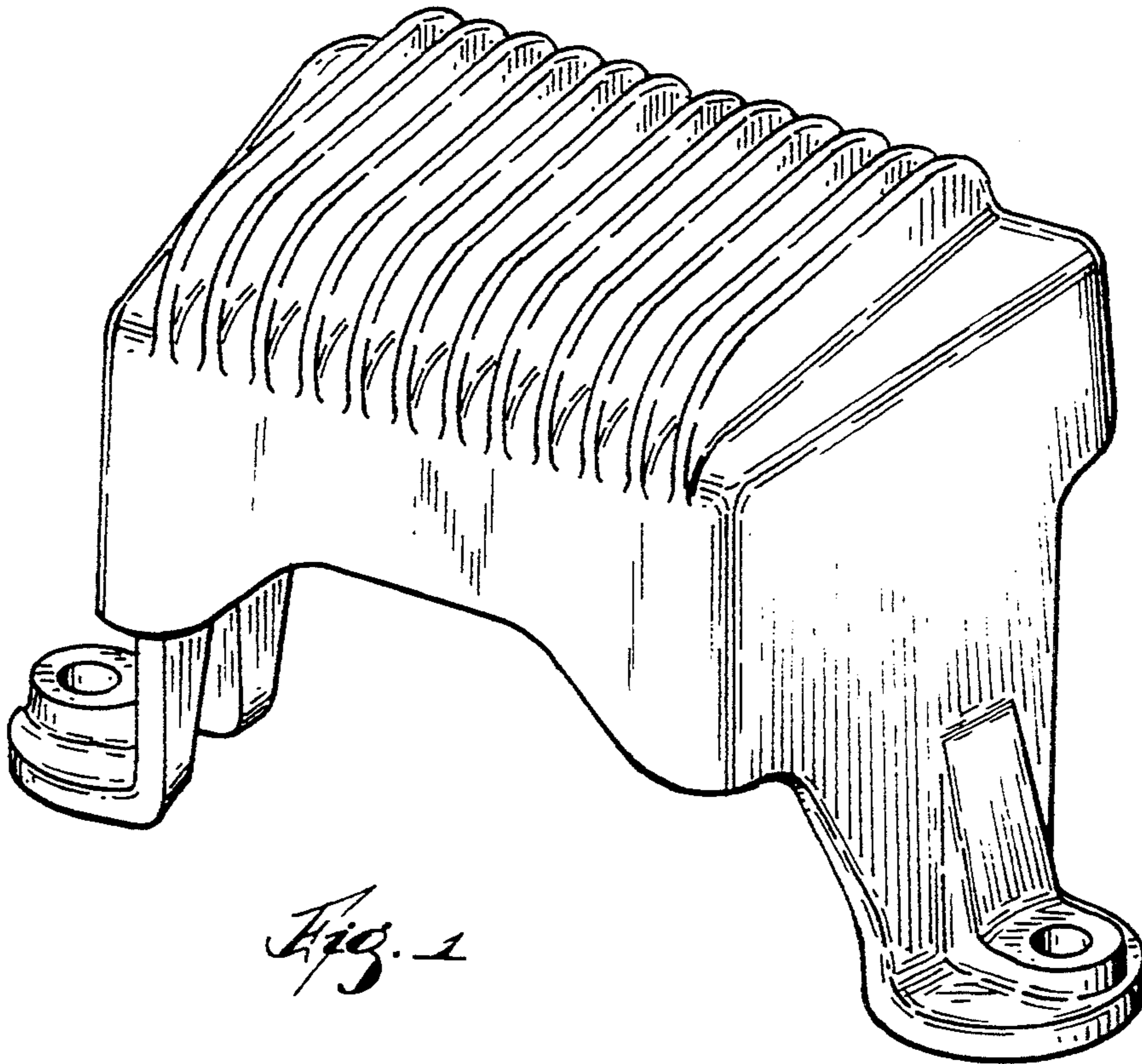
FIG. 4 is a right side view thereof, the left side view being a mirror image thereof;

FIG. 5 is a bottom view thereof;

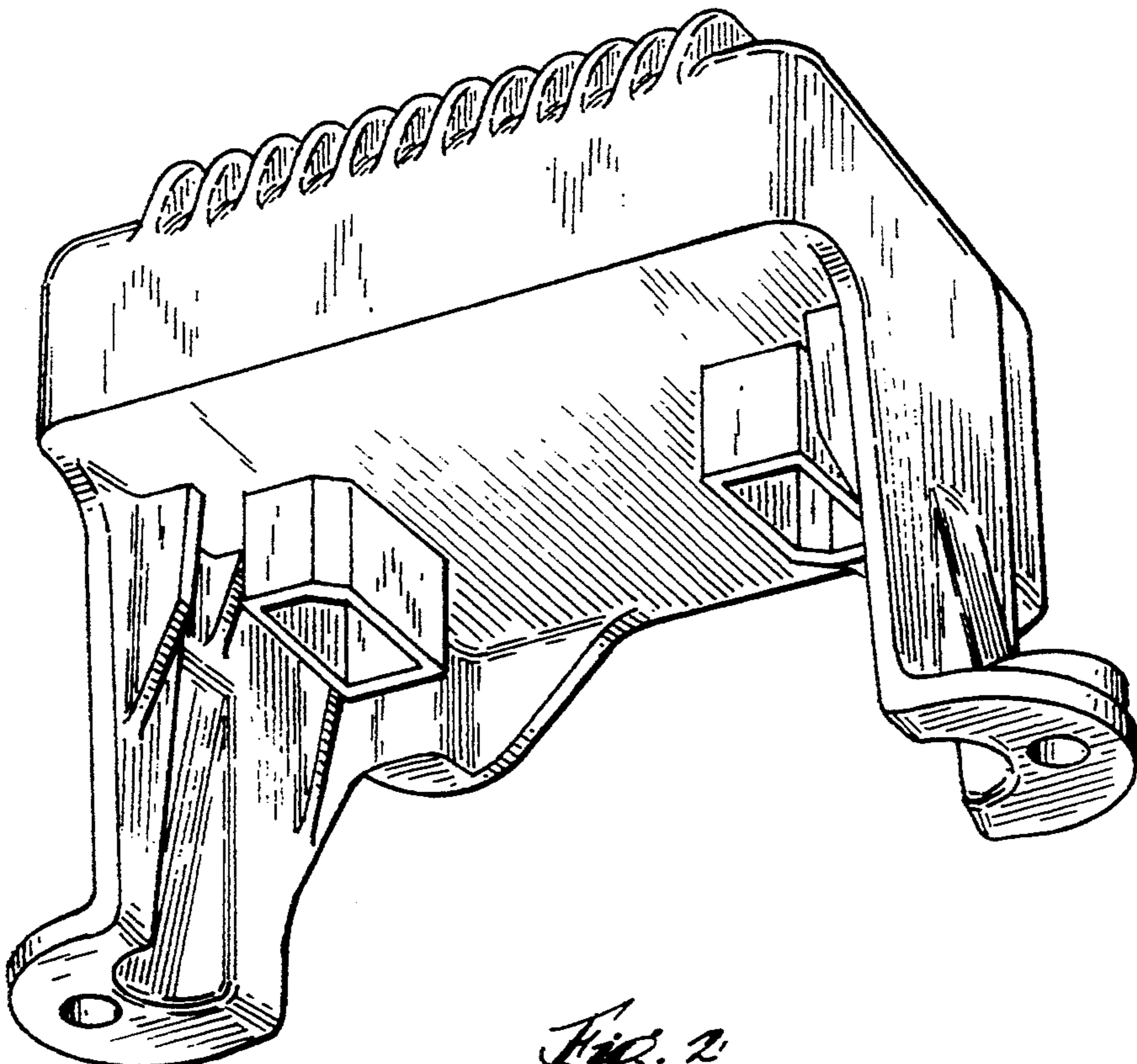
FIG. 6 is a rear view thereof; and,

FIG. 7 is a top view thereof.





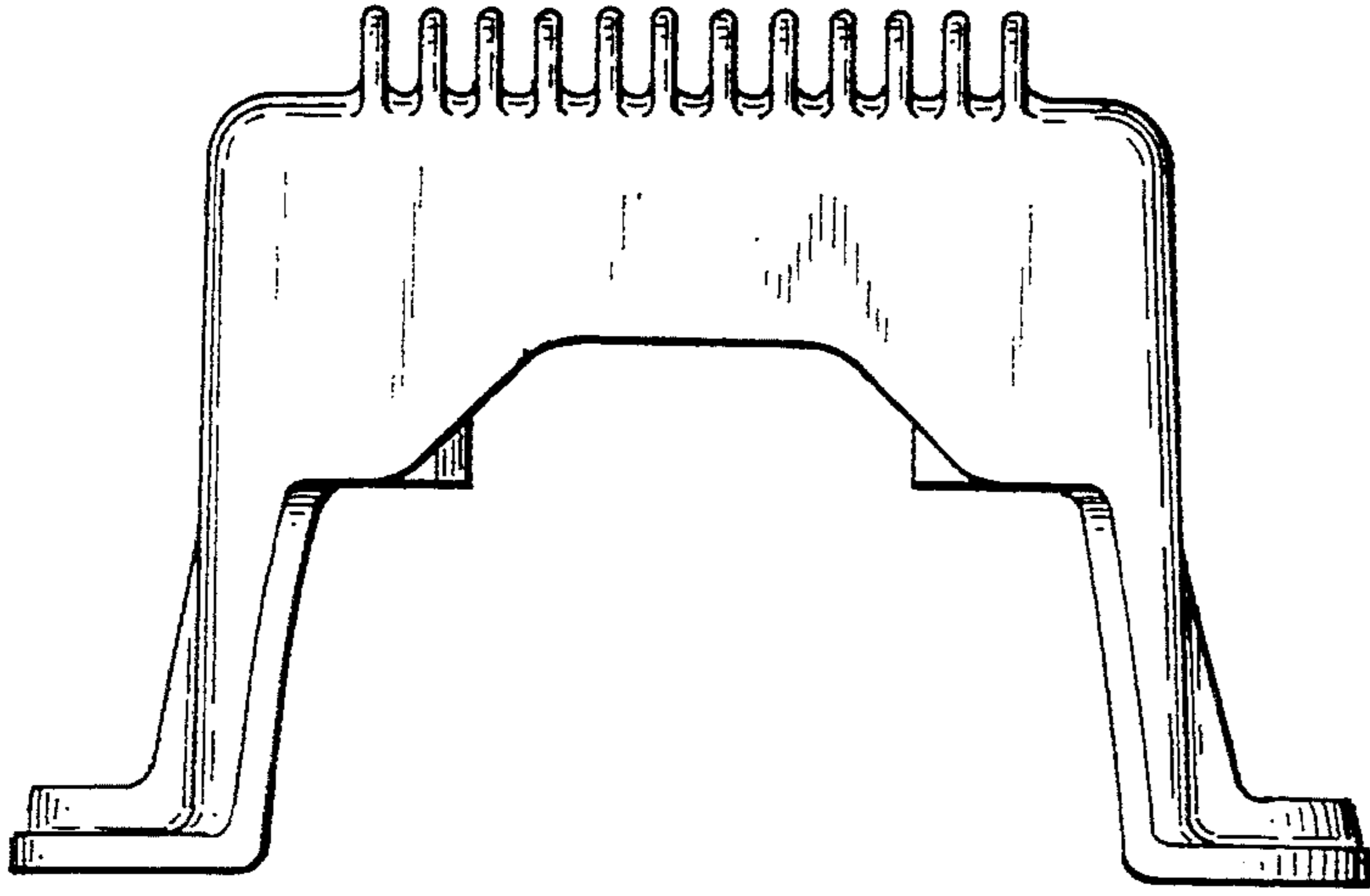
*Fig. 1*



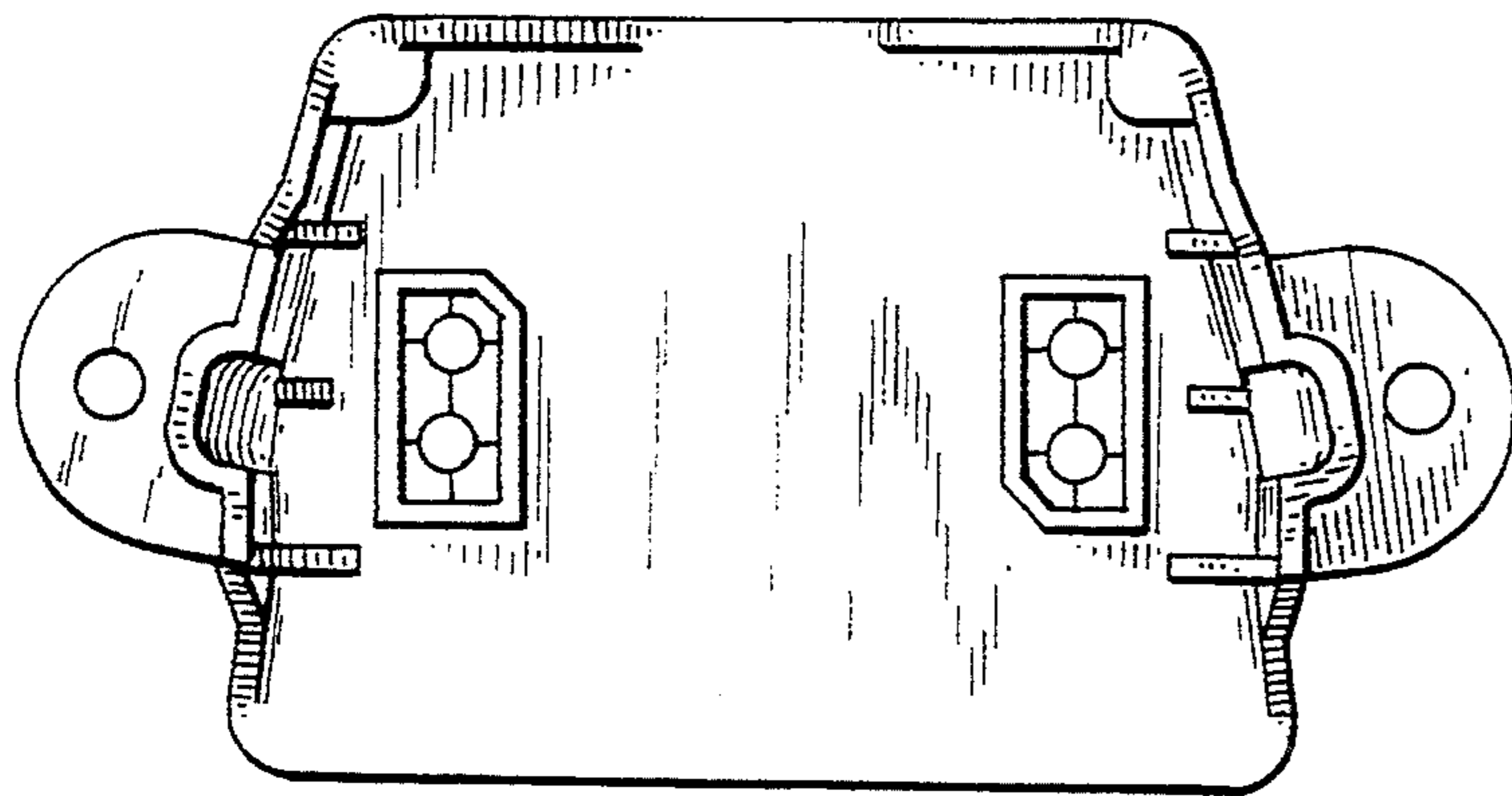
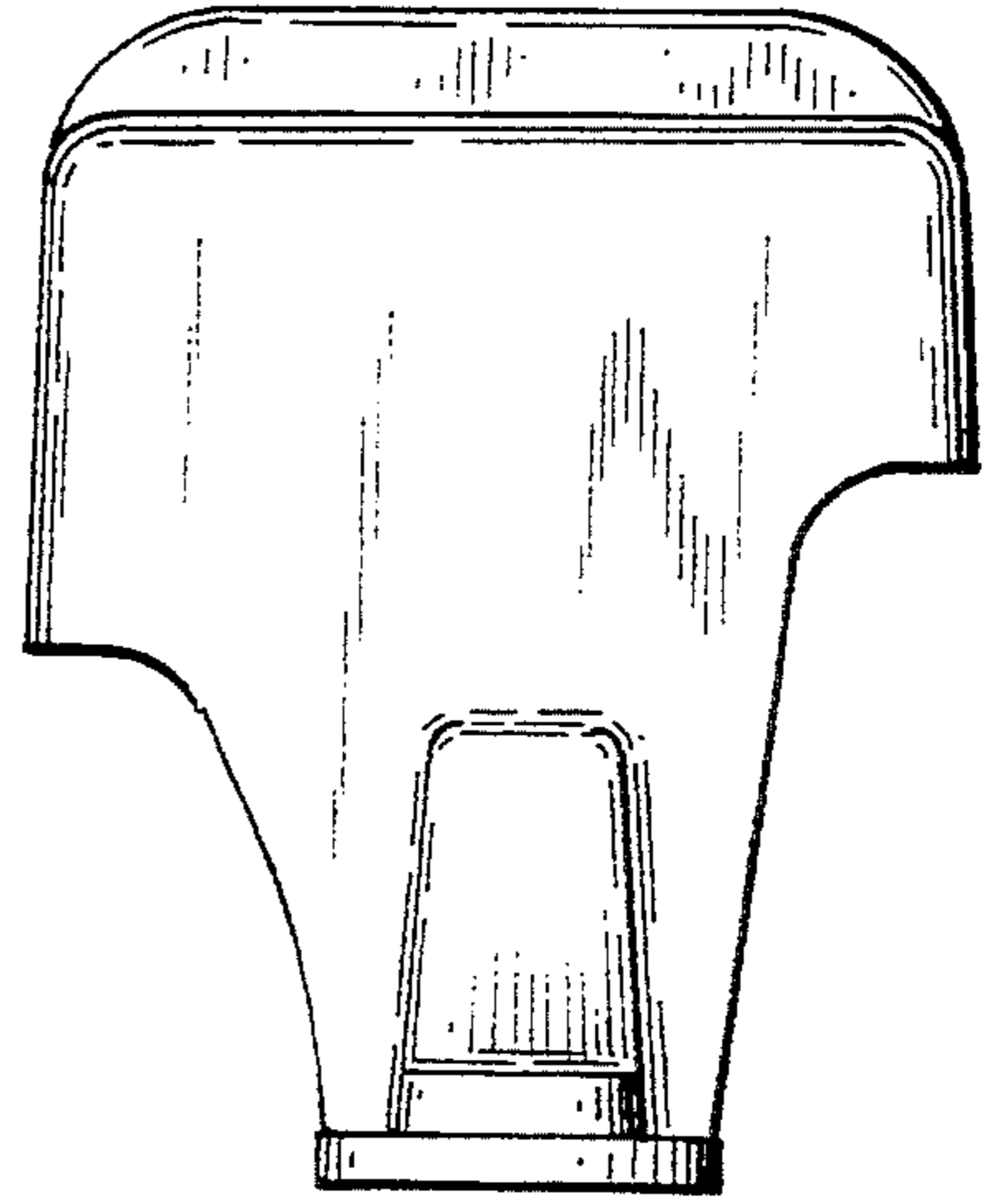
*Fig. 2*



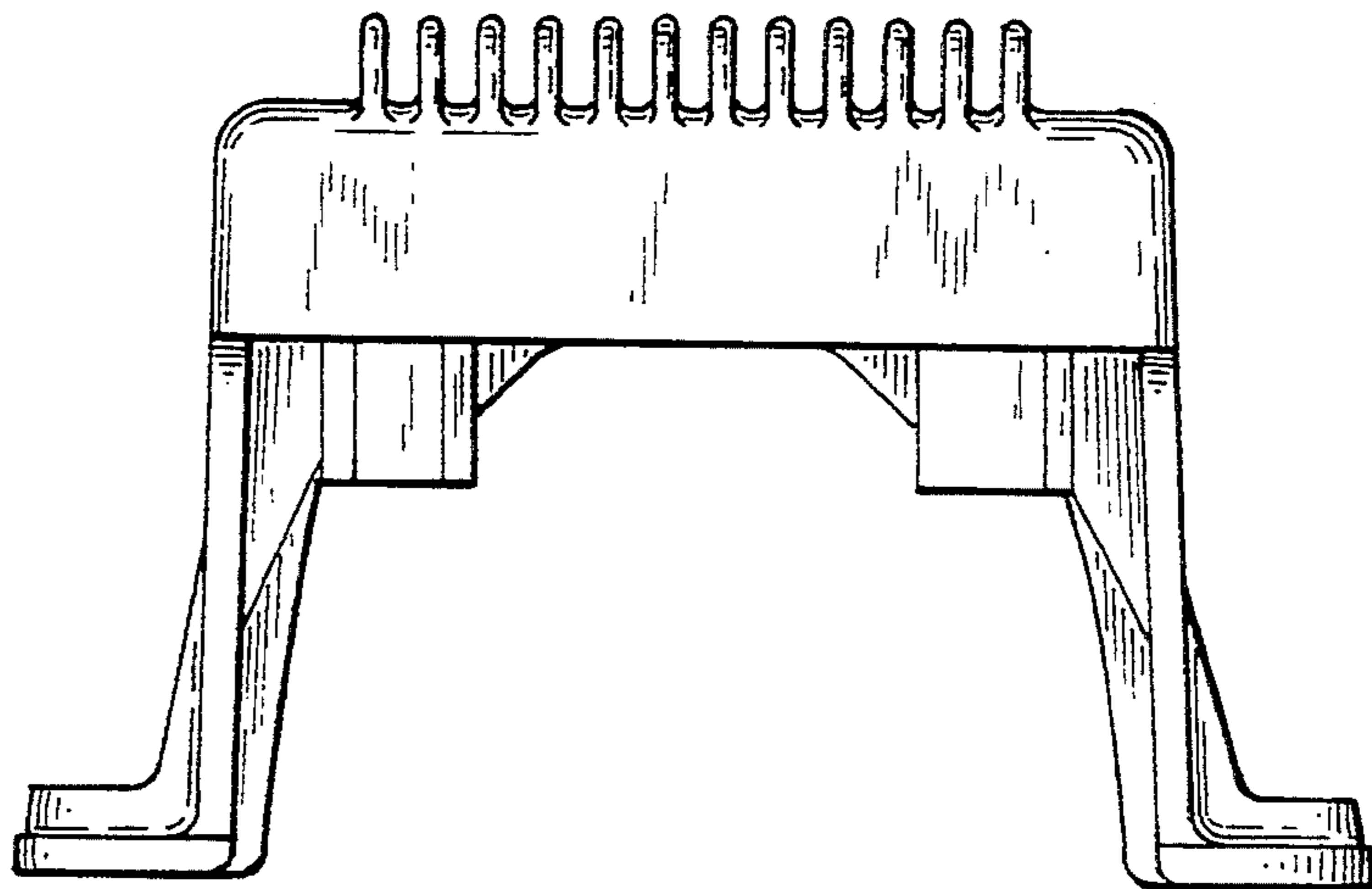
*Fig. 3*



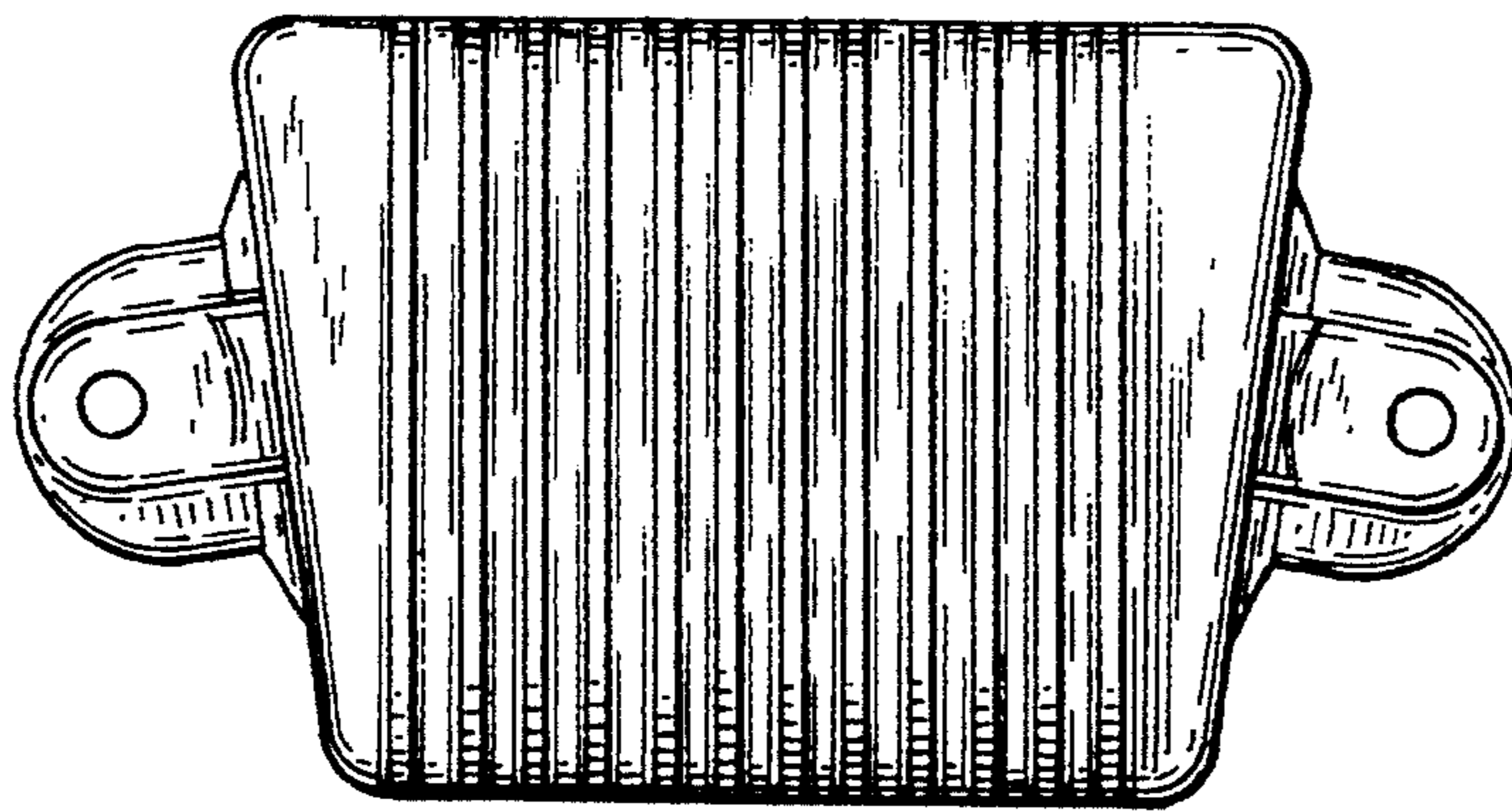
*Fig. 4*



*Fig. 5*



*Fig. 6*



*Fig. 7*