



US00D360185S

# United States Patent [19] Kobayashi

[11] **Patent Number: Des. 360,185**  
[45] **Date of Patent: \*\* Jul. 11, 1995**

[54] **BATTERY PACK**  
[75] **Inventor: Takayuki Kobayashi, Tokyo, Japan**  
[73] **Assignee: Sony Corporation, Tokyo, Japan**  
[\*\*] **Term: 14 Years**  
[21] **Appl. No.: 27,558**  
[22] **Filed: Aug. 25, 1994**  
[30] **Foreign Application Priority Data**  
Mar. 22, 1994 [JP] Japan ..... 6-7055  
[52] **U.S. Cl. .... D13/103**  
[58] **Field of Search ..... D13/103; D14/137, 138, D14/142; 429/96, 97, 98, 99, 100, 153**

D. 342,053 12/1993 Antonczak ..... D13/103  
4,752,539 6/1988 Vatter ..... 429/97 X  
4,943,498 7/1990 Cooper et al. .... 429/97

*Primary Examiner*—James M. Gandy  
*Assistant Examiner*—Joel Sincavage  
*Attorney, Agent, or Firm*—Beveridge, DeGrandi, Weilacher & Young

### [57] CLAIM

The ornamental design for a battery pack, as shown and described.

### DESCRIPTION

FIG. 1 is a perspective view of the battery pack;  
FIG. 2 is a front view of the battery pack;  
FIG. 3 is a rear view of the battery pack;  
FIG. 4 is a top plan view of the battery pack;  
FIG. 5 is a left side view of the battery pack;  
FIG. 6 is a right side view of the battery pack;  
FIG. 7 is a bottom plan view of the battery pack; and,  
FIG. 8 is a rear and lower left perspective view of the battery pack.

### [56] References Cited U.S. PATENT DOCUMENTS

D. 301,466 6/1989 Pitkonen ..... D14/138  
D. 301,467 6/1989 Pitkonen ..... D14/138  
D. 334,169 3/1993 Antonczak ..... D13/103  
D. 337,984 8/1993 Lindahl ..... D13/103

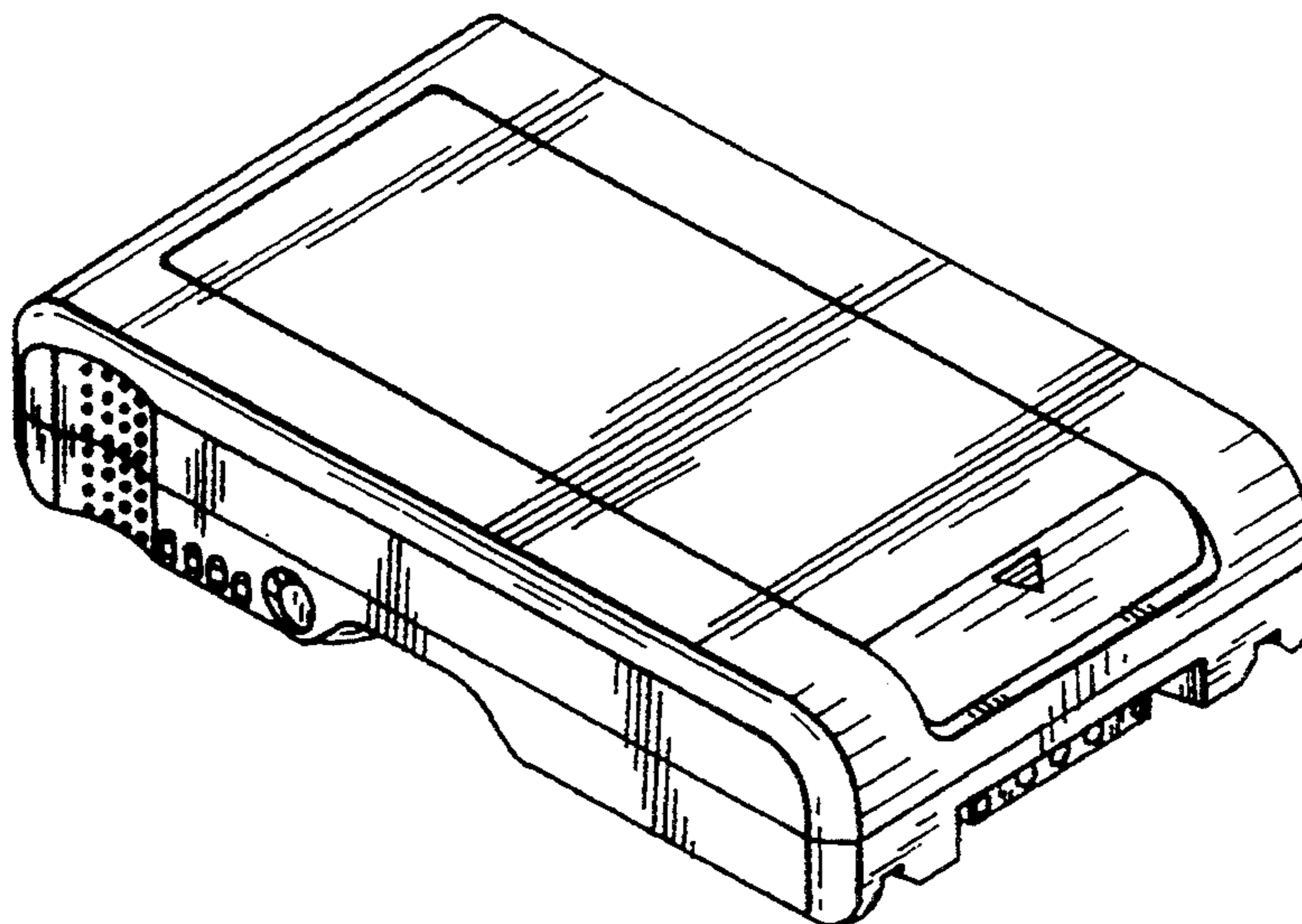


FIG. 1

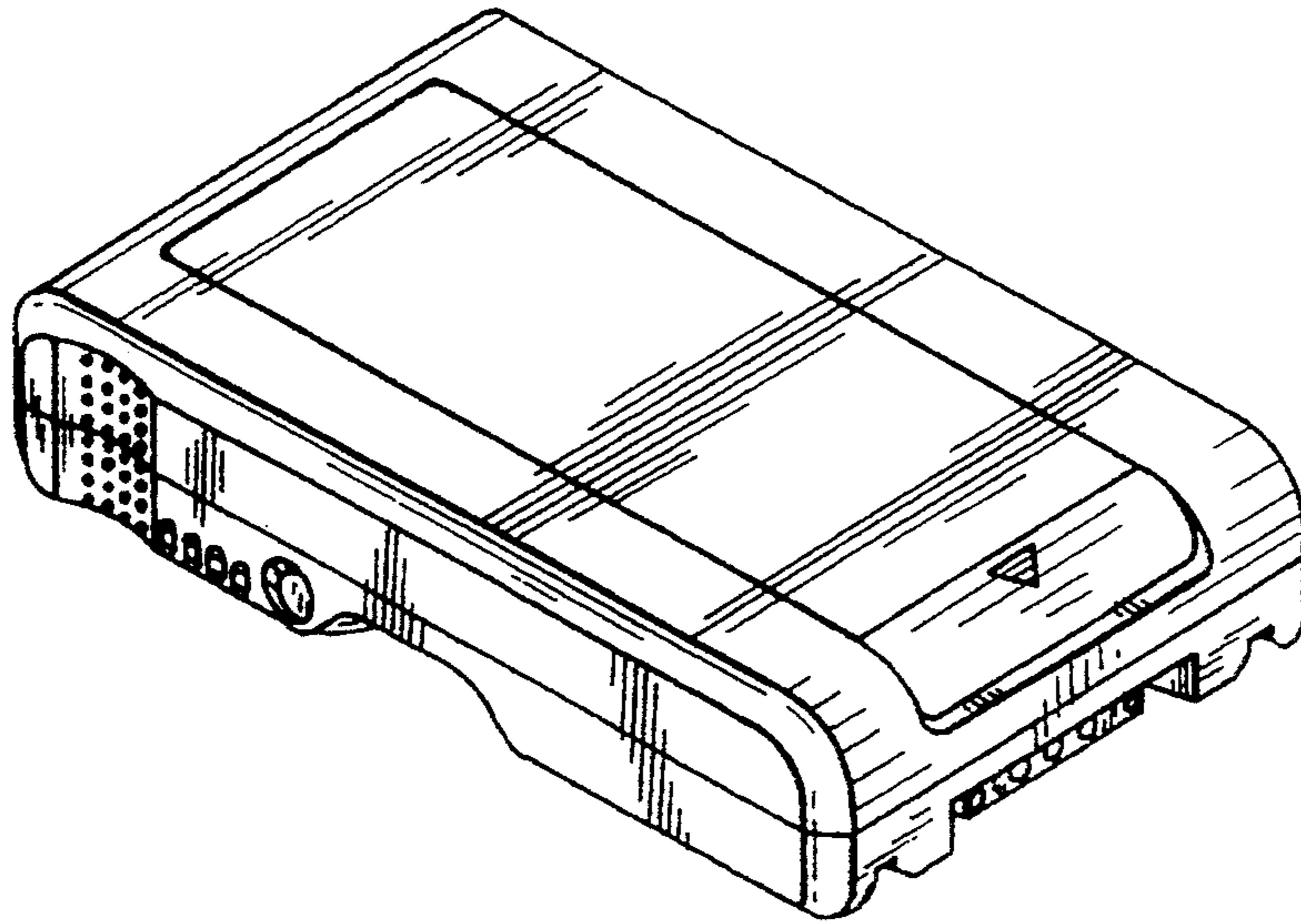


FIG. 2

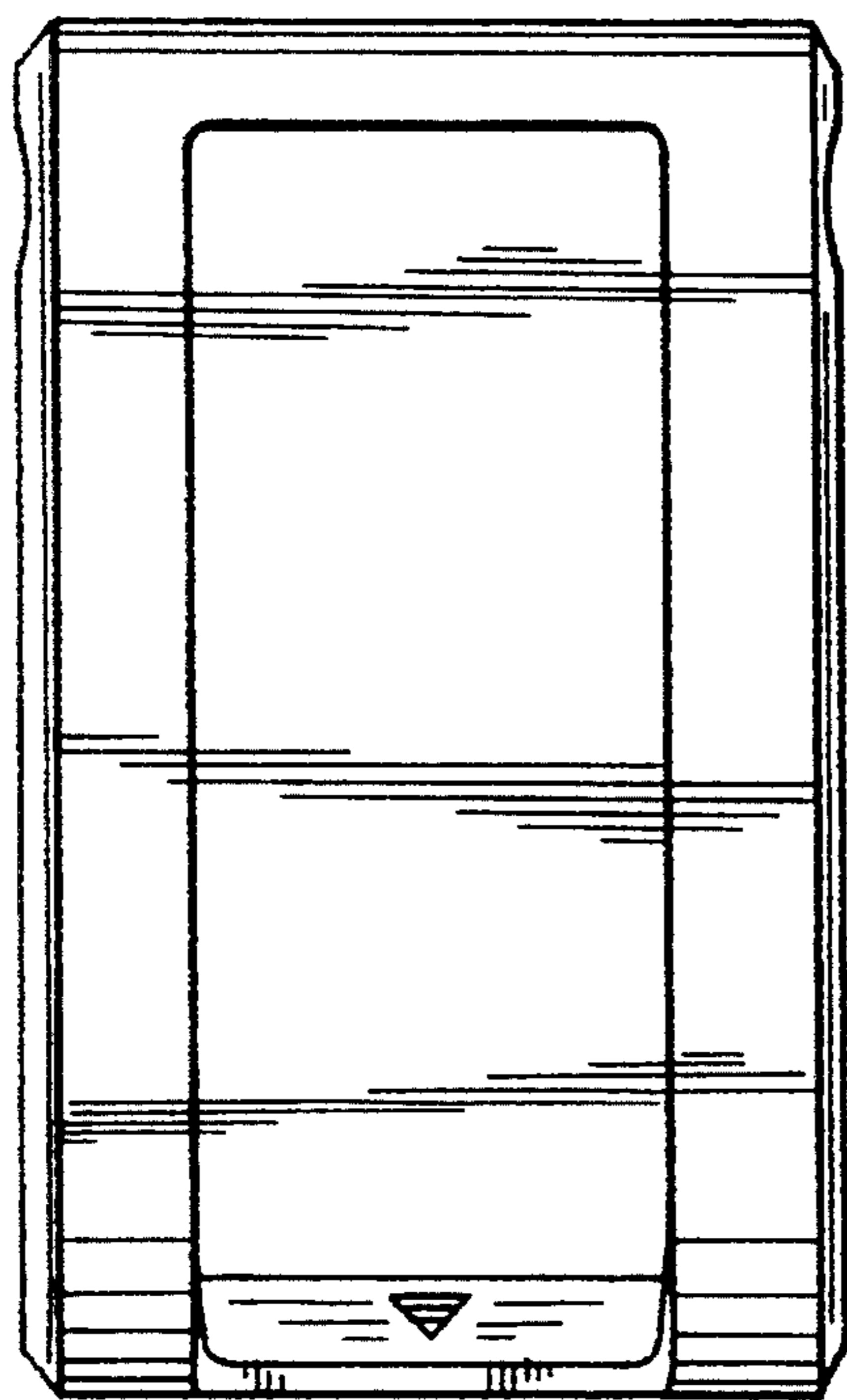


FIG. 3

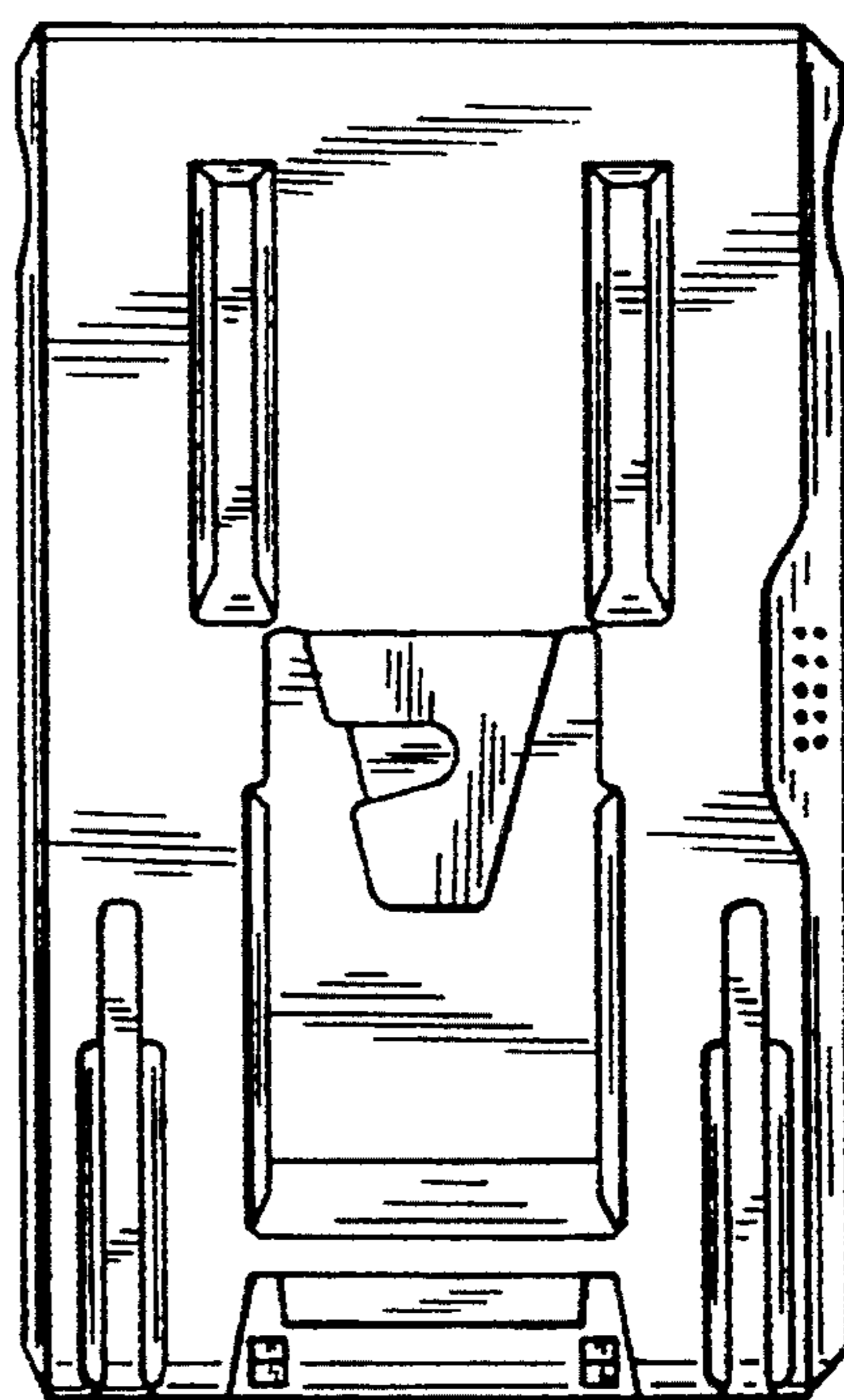


FIG. 4

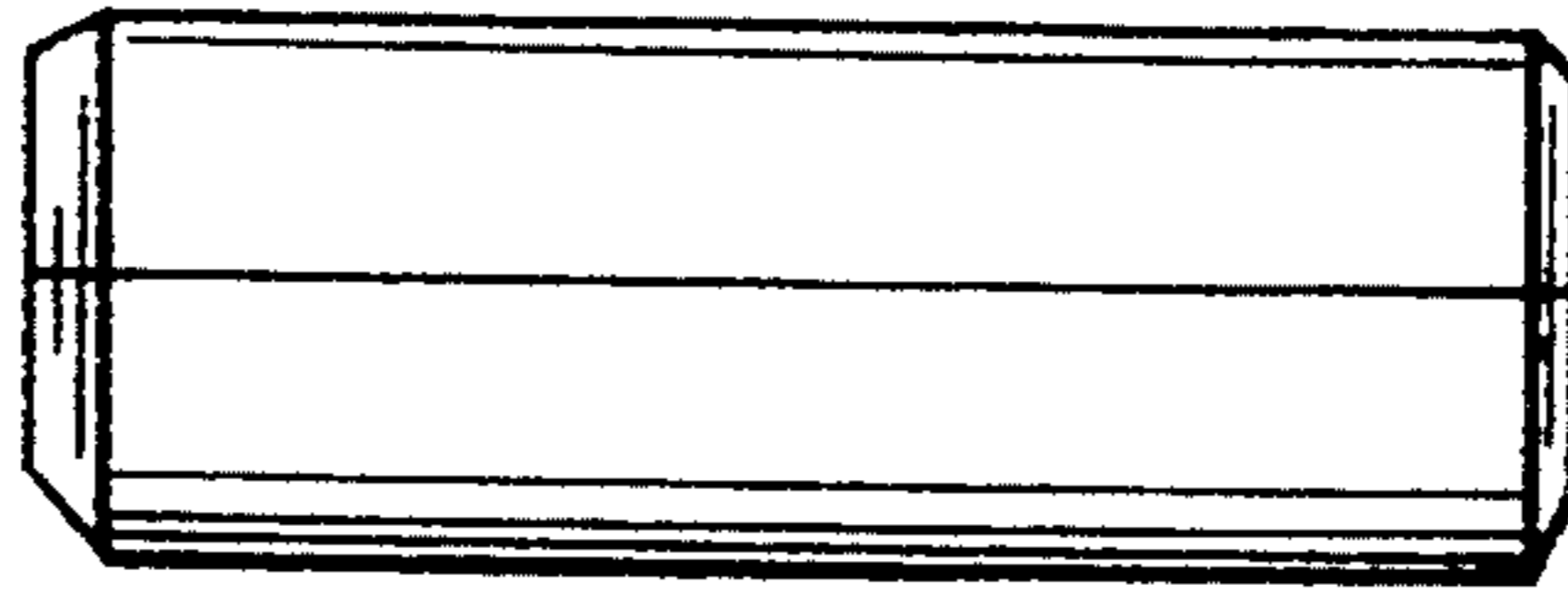


FIG. 5

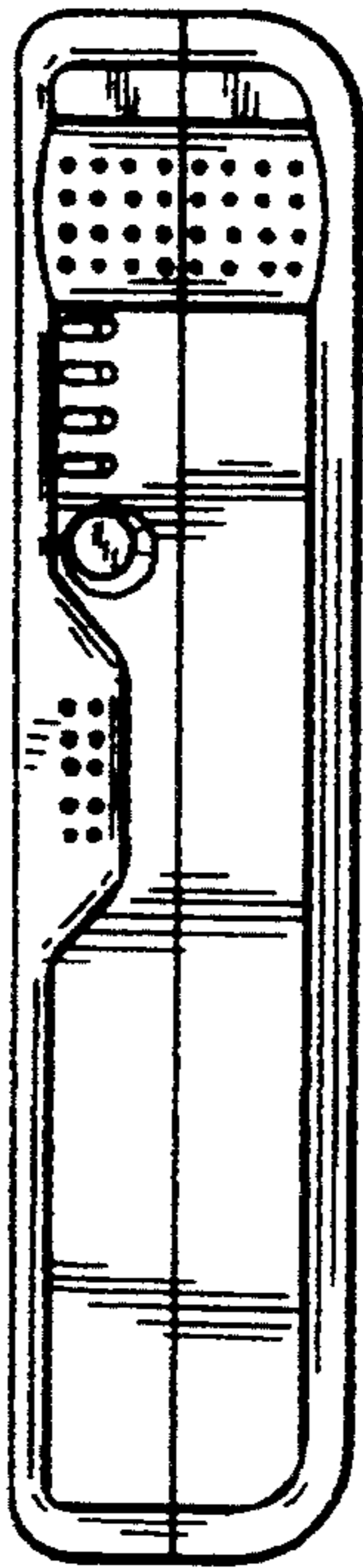


FIG. 6

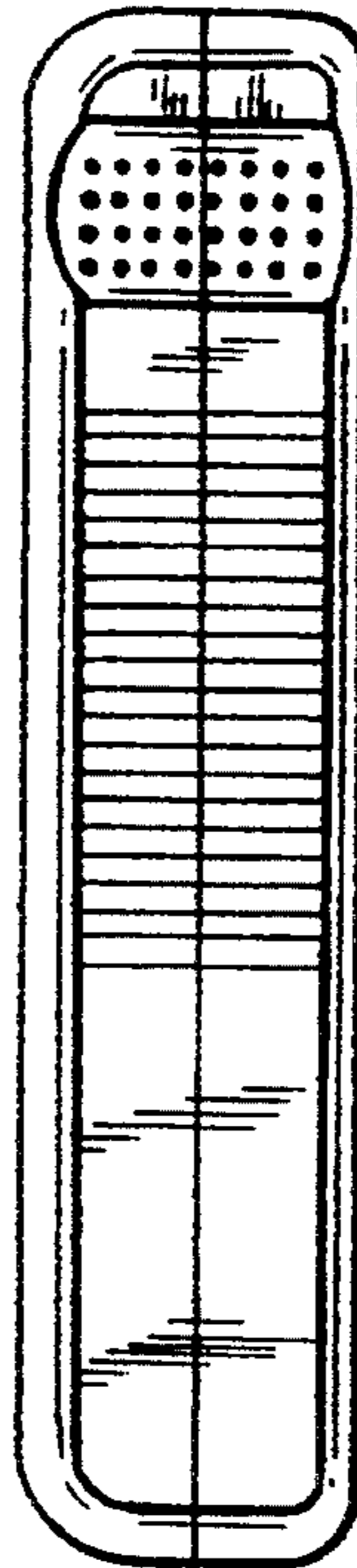


FIG. 7

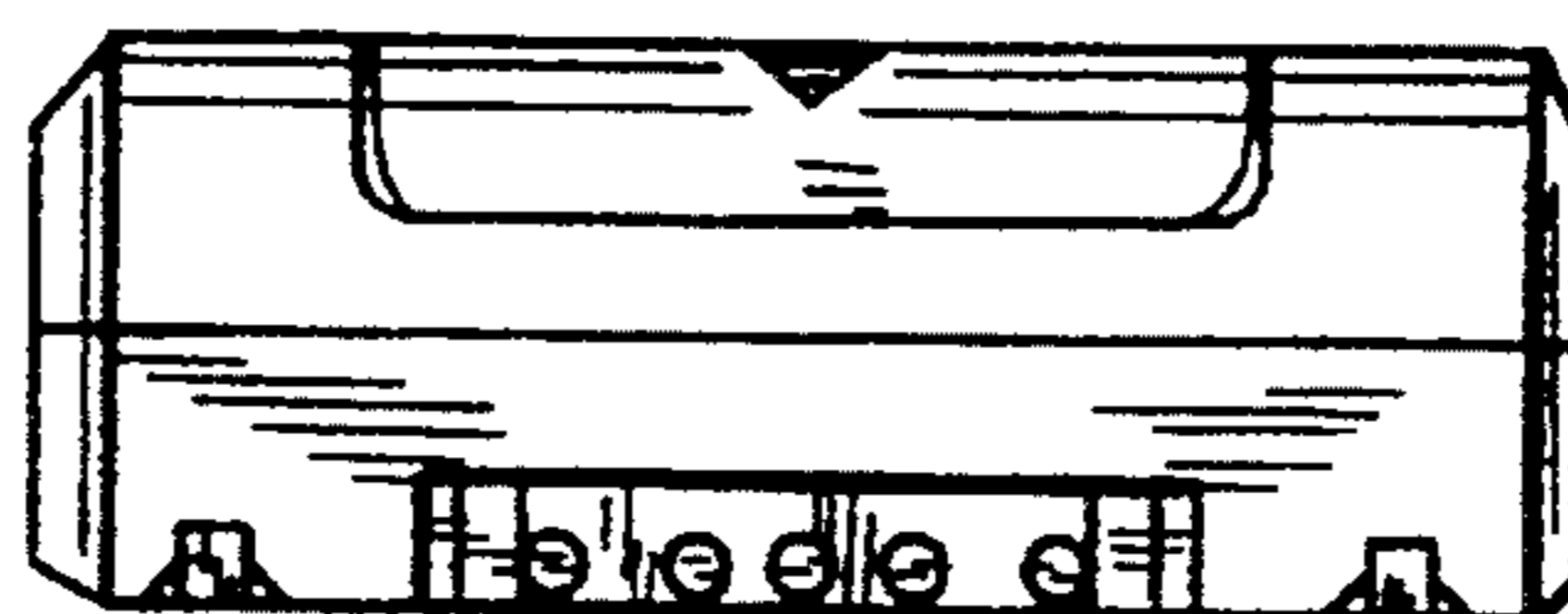


FIG. 8

