



US00D360183S

# United States Patent [19]

Girandola

[11] Patent Number: **Des. 360,183**

[45] Date of Patent: **\*\* Jul. 11, 1995**

[54] **AUTOMOBILE FOOD TRAY**

[76] Inventor: **Anthony G. Girandola, 3509 Williamsburg Rd., Davidsonville, Md. 21035**

[\*\*] Term: **14 Years**

[21] Appl. No.: **20,891**

[22] Filed: **Apr. 4, 1994**

[52] U.S. Cl. .... **D12/425**

[58] Field of Search ..... **D12/425, 424, 420; D9/346, 432, 419, 433, 418; 206/45.34, 45.31, 420, 423, 419, 520; 229/120, 120.1; 108/43, 44**

[56] **References Cited**

**U.S. PATENT DOCUMENTS**

- D. 271,749 12/1983 Wood ..... D9/433
- D. 281,146 10/1985 Holewinski ..... D9/346
- D. 284,939 8/1986 Sundish et al. .... D9/346
- D. 341,249 11/1993 Scheurer ..... D12/425

- D. 341,499 11/1993 Horne ..... D12/425
- D. 351,787 10/1994 Hansen ..... D9/346
- D. 353,091 12/1994 Mumford ..... D9/433
- 3,379,316 4/1968 Harrell ..... D12/420
- 4,156,484 5/1979 Wischusen ..... 229/904 X
- 4,903,892 2/1990 McNair et al. .... 206/420 X
- 5,127,339 7/1992 Hood, Jr. .... 108/43

*Primary Examiner*—A. Hugo Word

*Assistant Examiner*—M. Brown

[57] **CLAIM**

The ornamental design for an automobile food tray, as shown.

**DESCRIPTION**

FIG. 1 is a perspective view of an automobile food tray showing my new design:

FIG. 2 is a side view;

FIG. 3 is a top view;

FIG. 4 is a back view;

FIG. 5 is a bottom view; and,

FIG. 6 is a front view.

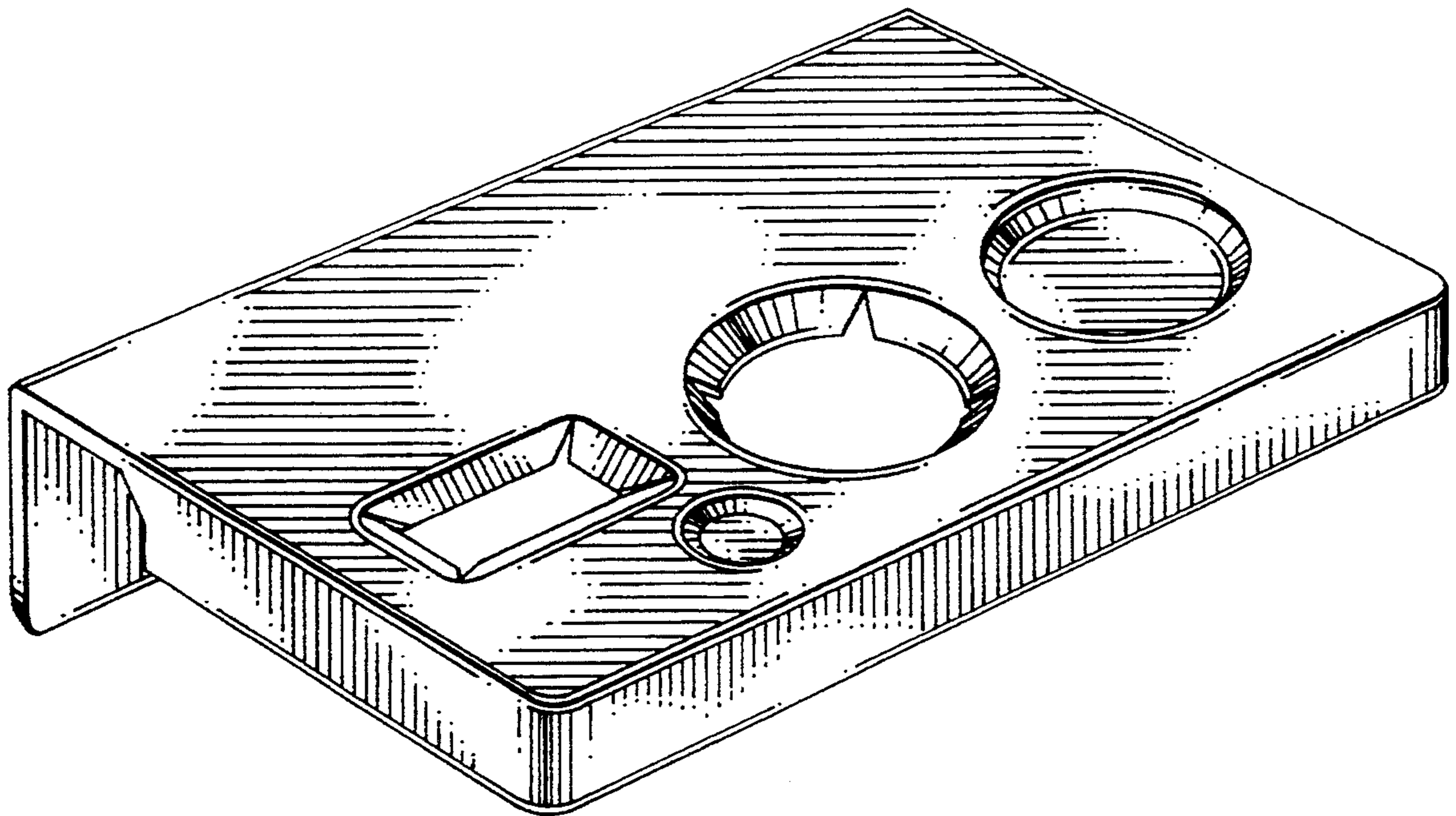


FIG. 1

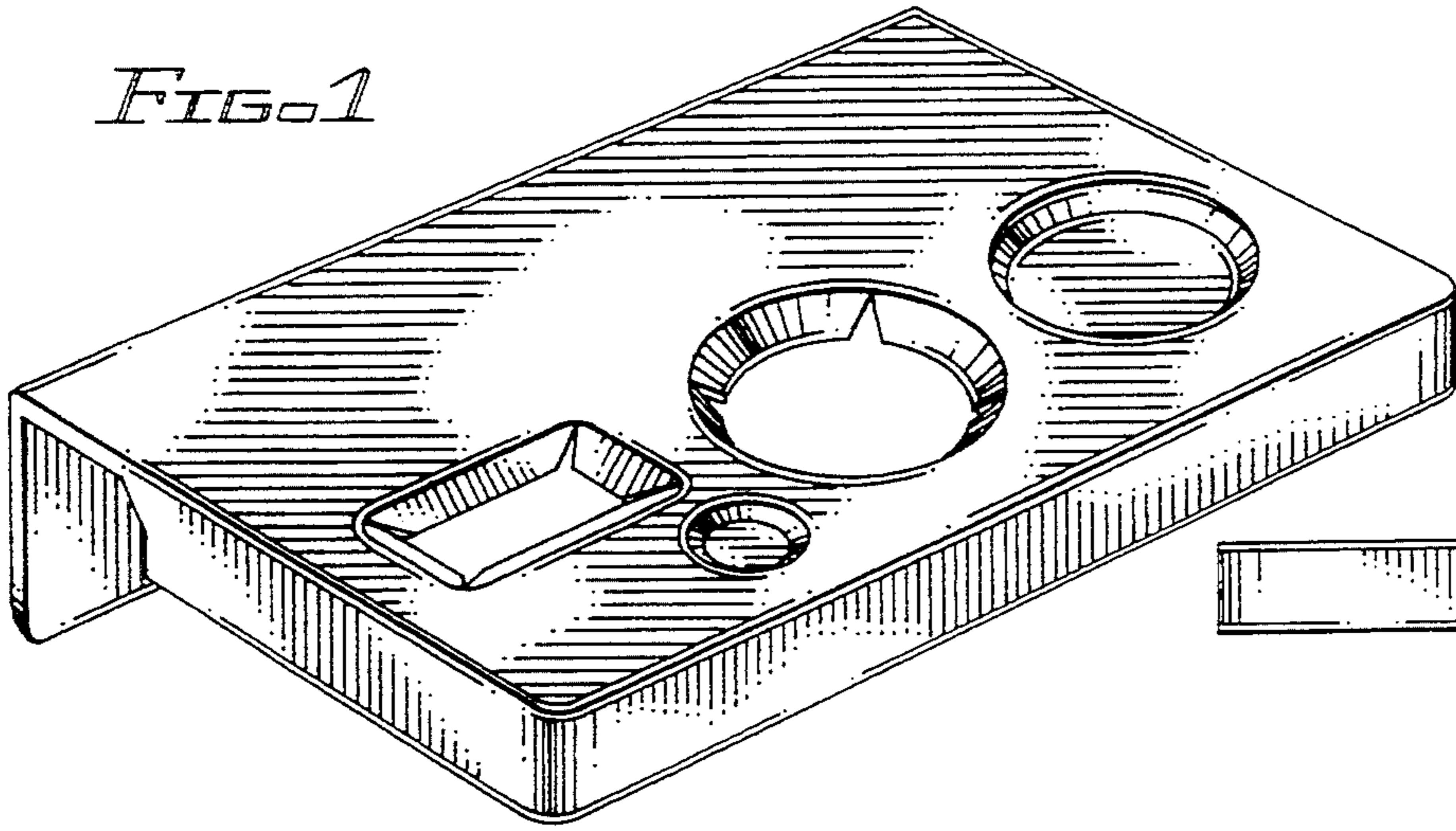


FIG. 2

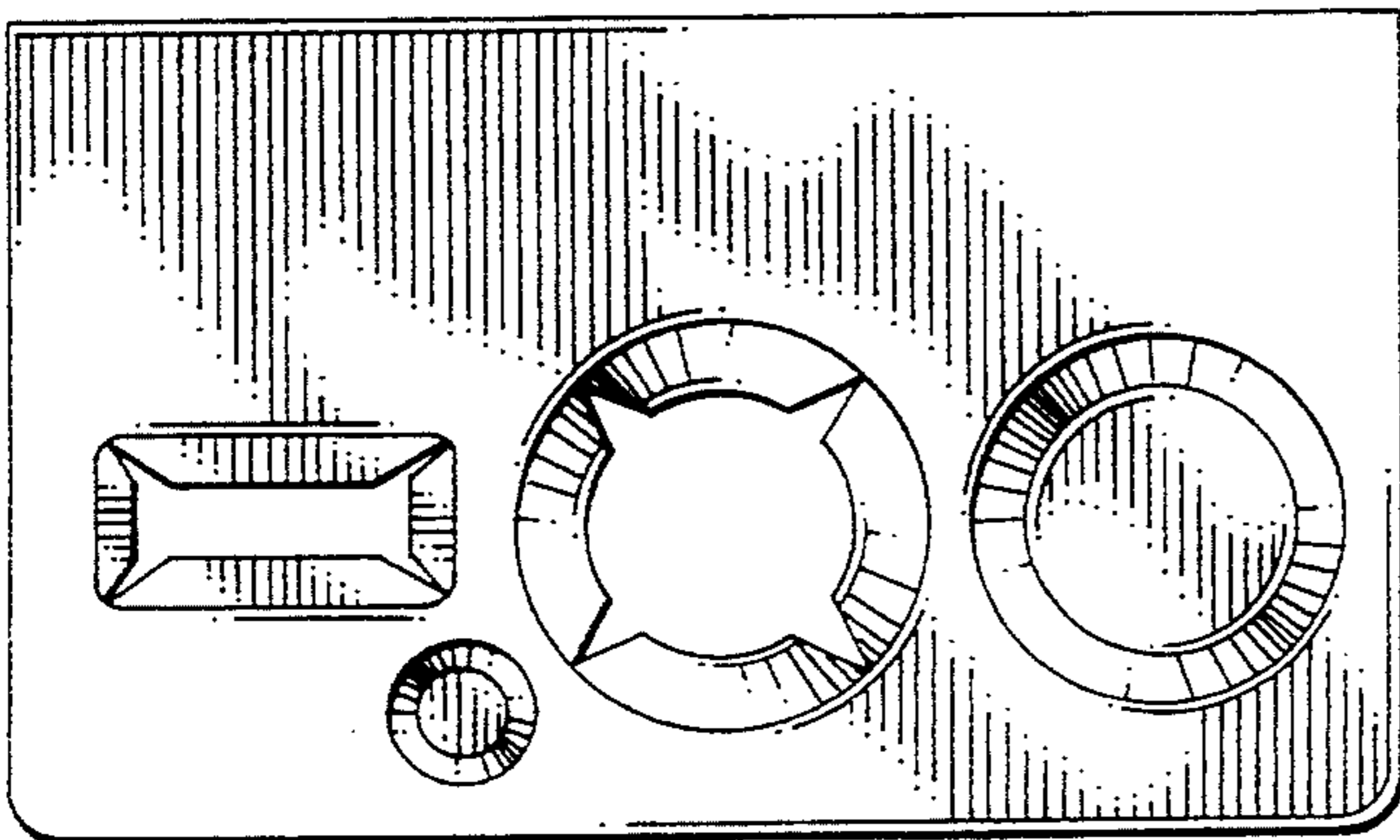
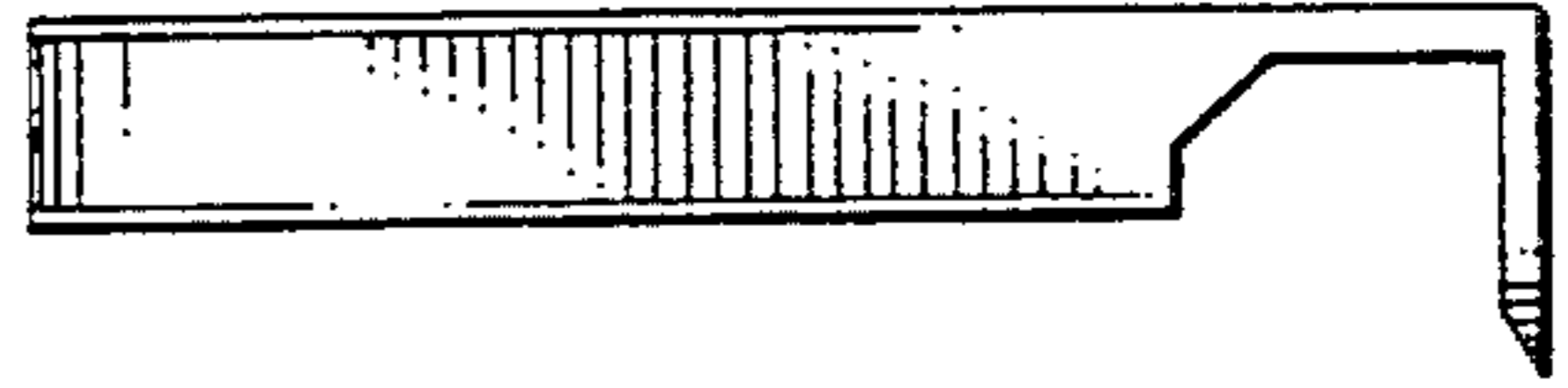


FIG. 3

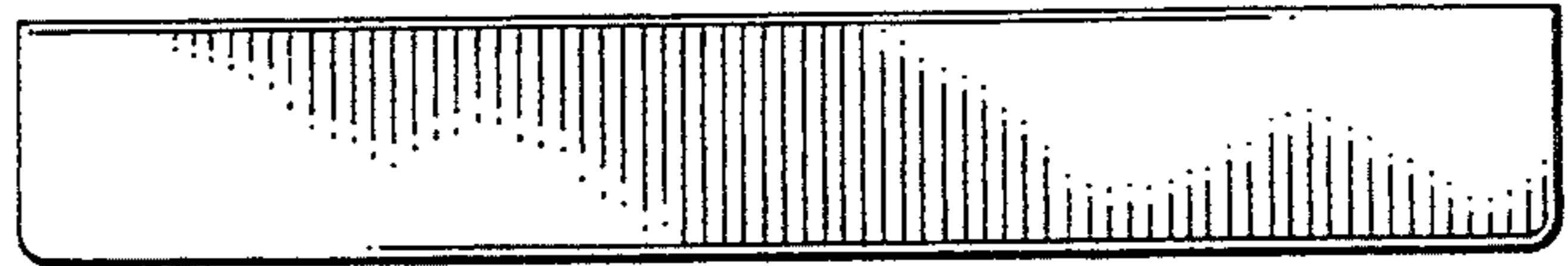


FIG. 4

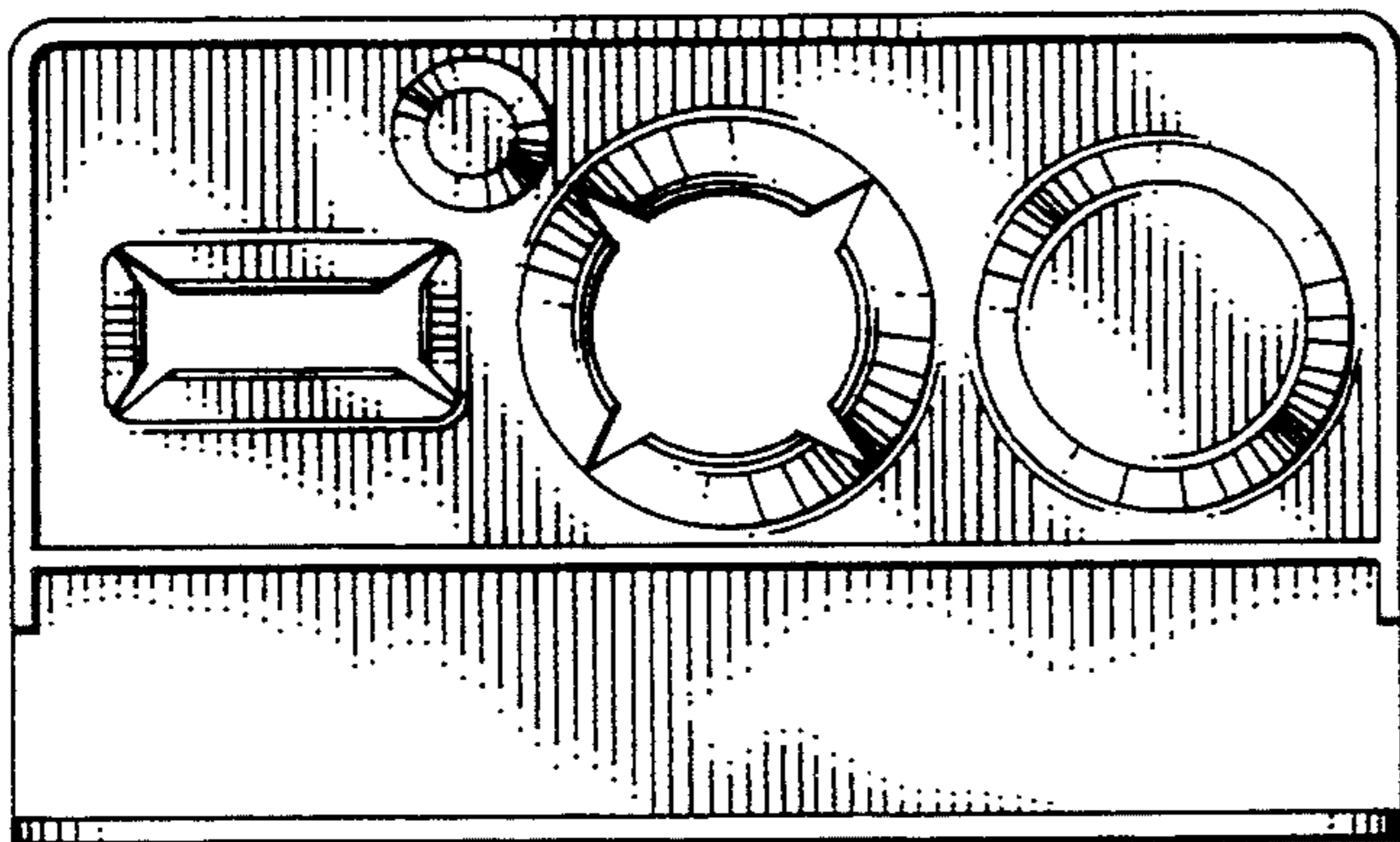


FIG. 5

FIG. 6

