



US00D360178S

United States Patent [19]

Thomas

[11] Patent Number: **Des. 360,178**

[45] Date of Patent: **** Jul. 11, 1995**

[54] EXHAUST SYSTEM PRESSURE CONTROL

[76] Inventor: **William E. Thomas**, 413 Robinson Cir., Placentia, Calif. 92670

[**] Term: **14 Years**

[21] Appl. No.: **17,294**

[22] Filed: **Jan. 7, 1994**

[52] U.S. Cl. **D12/194**

[58] Field of Search D12/114, 194; D8/71; D9/302; 181/227, 228, 238, 247, 257, 266; 60/312, 314, 315, 317, 272, 274, 323

[56] **References Cited**

U.S. PATENT DOCUMENTS

D. 212,447	10/1968	Kaser	D8/71
2,147,200	2/1939	Kadenacy	60/314
2,168,528	8/1939	Kadenacy	60/314
3,716,992	2/1973	Stahl	60/323
3,946,558	3/1976	Beekhuis, Jr.	60/274
3,983,696	10/1976	Pflugfelder	60/272
4,206,600	6/1980	Feuling	60/312
4,390,079	6/1983	Brill	181/228
4,712,643	12/1987	Iles et al.	181/257
4,796,426	1/1989	Feuling	60/313
4,834,214	5/1989	Feuling	181/249

4,912,927	4/1990	Billington	60/315
5,033,581	7/1991	Feuling	181/257
5,044,464	9/1991	Bremigar	60/312
5,173,576	12/1992	Feuling	181/247
5,248,859	9/1993	Borla	181/257
5,282,361	2/1994	Sung	60/315

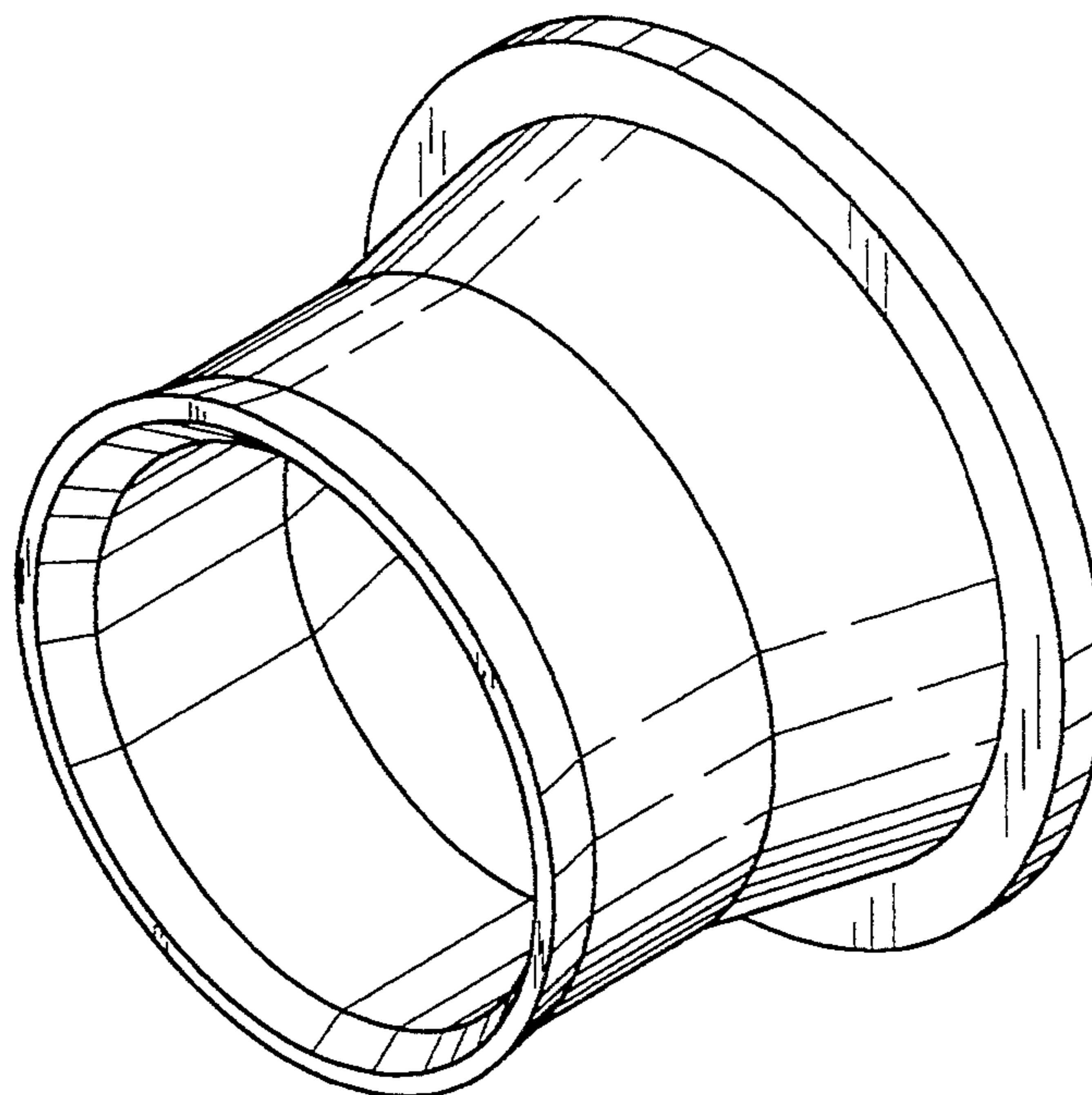
Primary Examiner—A. Hugo Word
Assistant Examiner—M. Brown
Attorney, Agent, or Firm—Knobbe, Martens, Olson & Bear

[57] CLAIM

The ornamental design for the exhaust system pressure control, as shown and described.

DESCRIPTION

FIG. 1 is a perspective view of an exhaust system pressure control showing my new design; FIG. 2 is a front view of the exhaust system pressure control of FIG. 1; FIG. 3 is a cross-sectional view taken along 3—3 of FIG. 2; FIG. 4 is a back view of the exhaust system pressure control of FIG. 1; and, FIG. 5 is a side view of the exhaust system pressure control of FIG. 1.



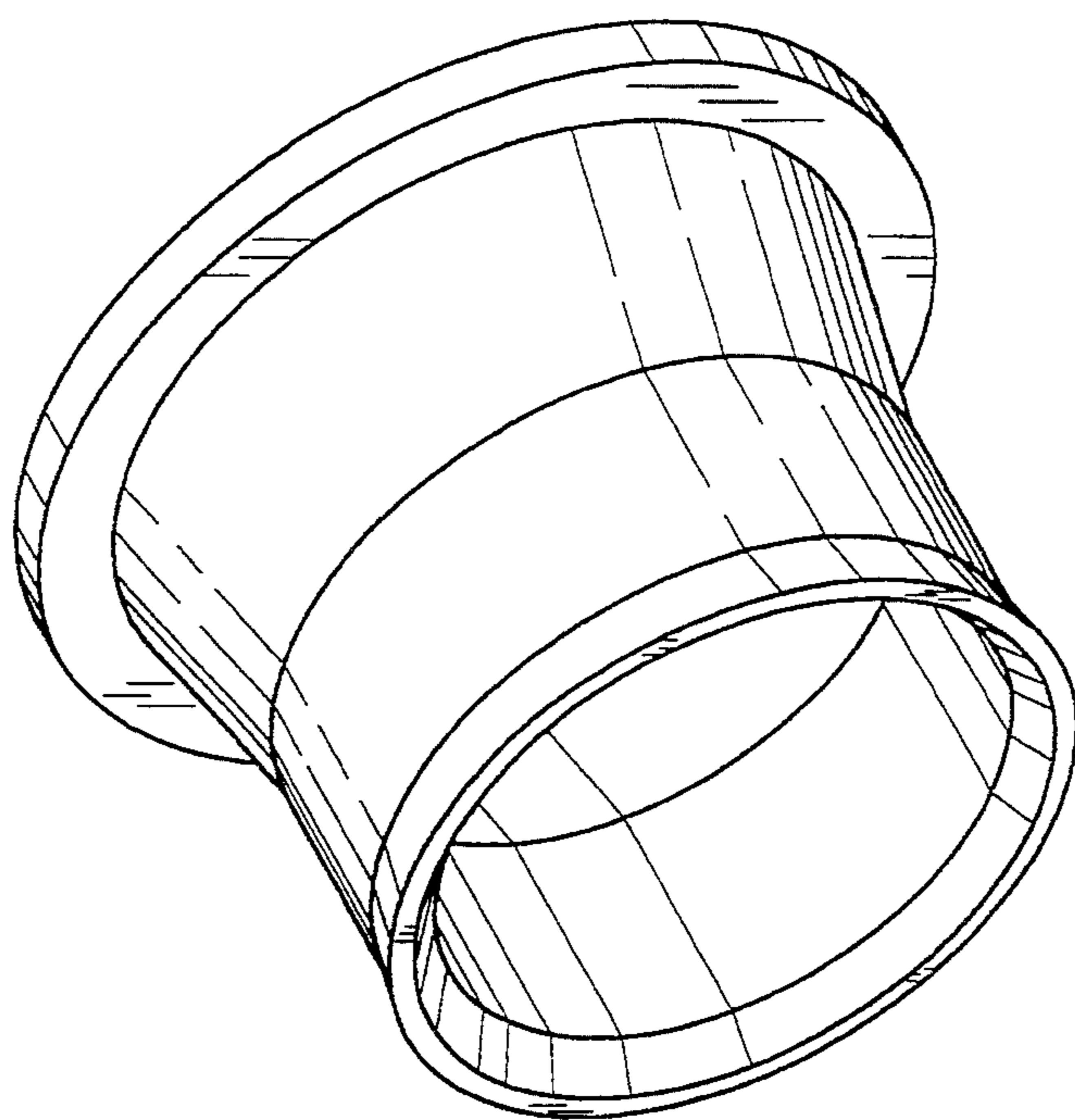


FIG. 1

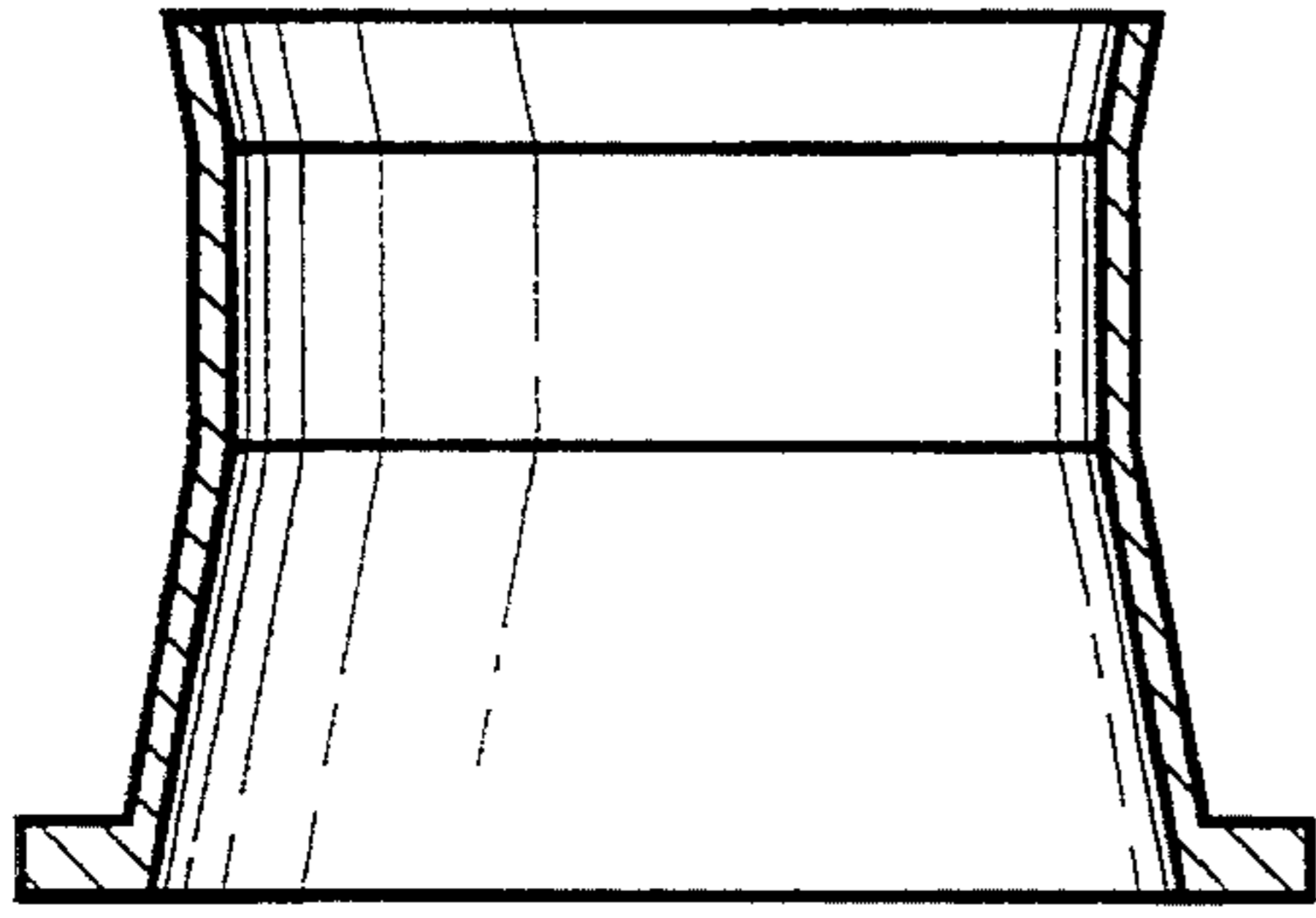


FIG. 3

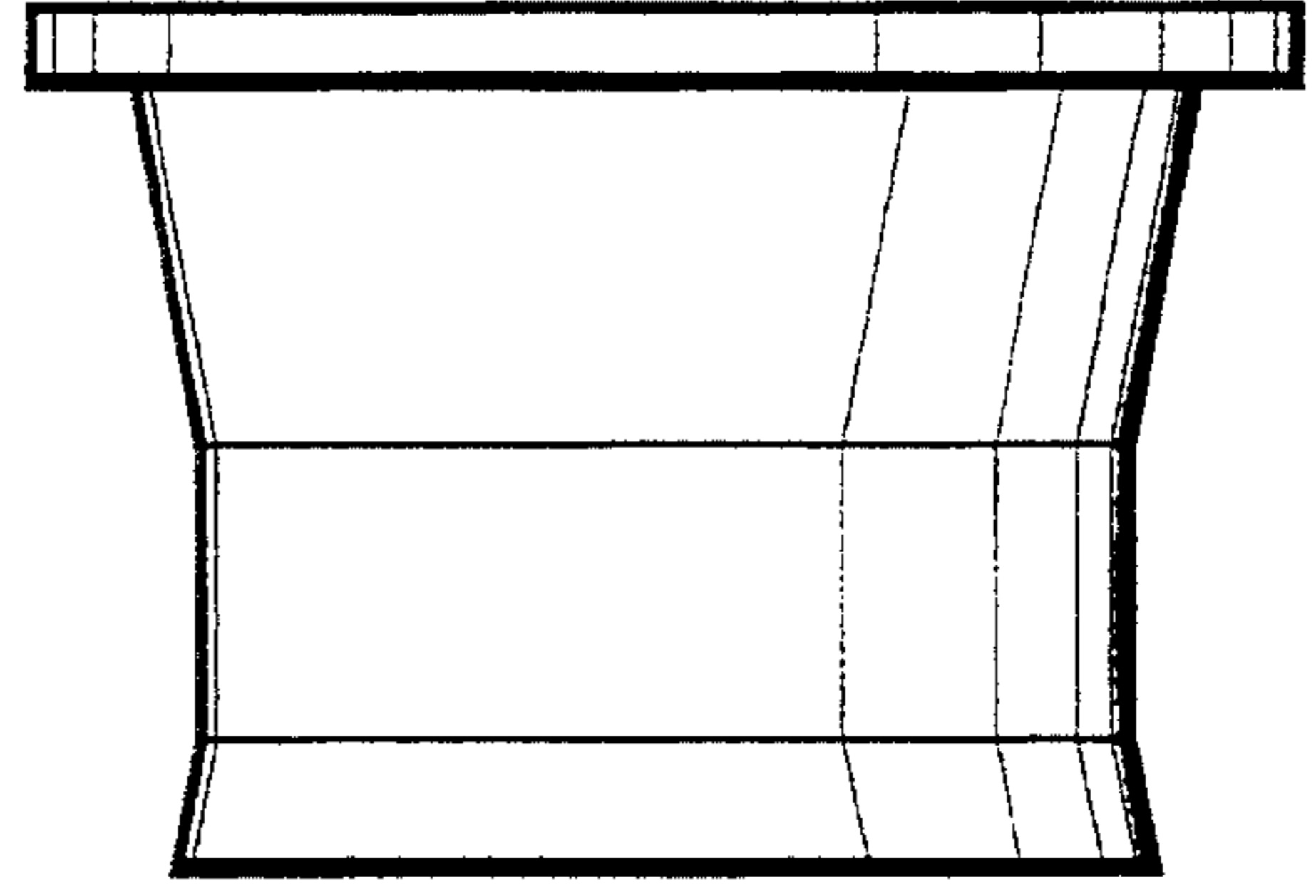


FIG. 5

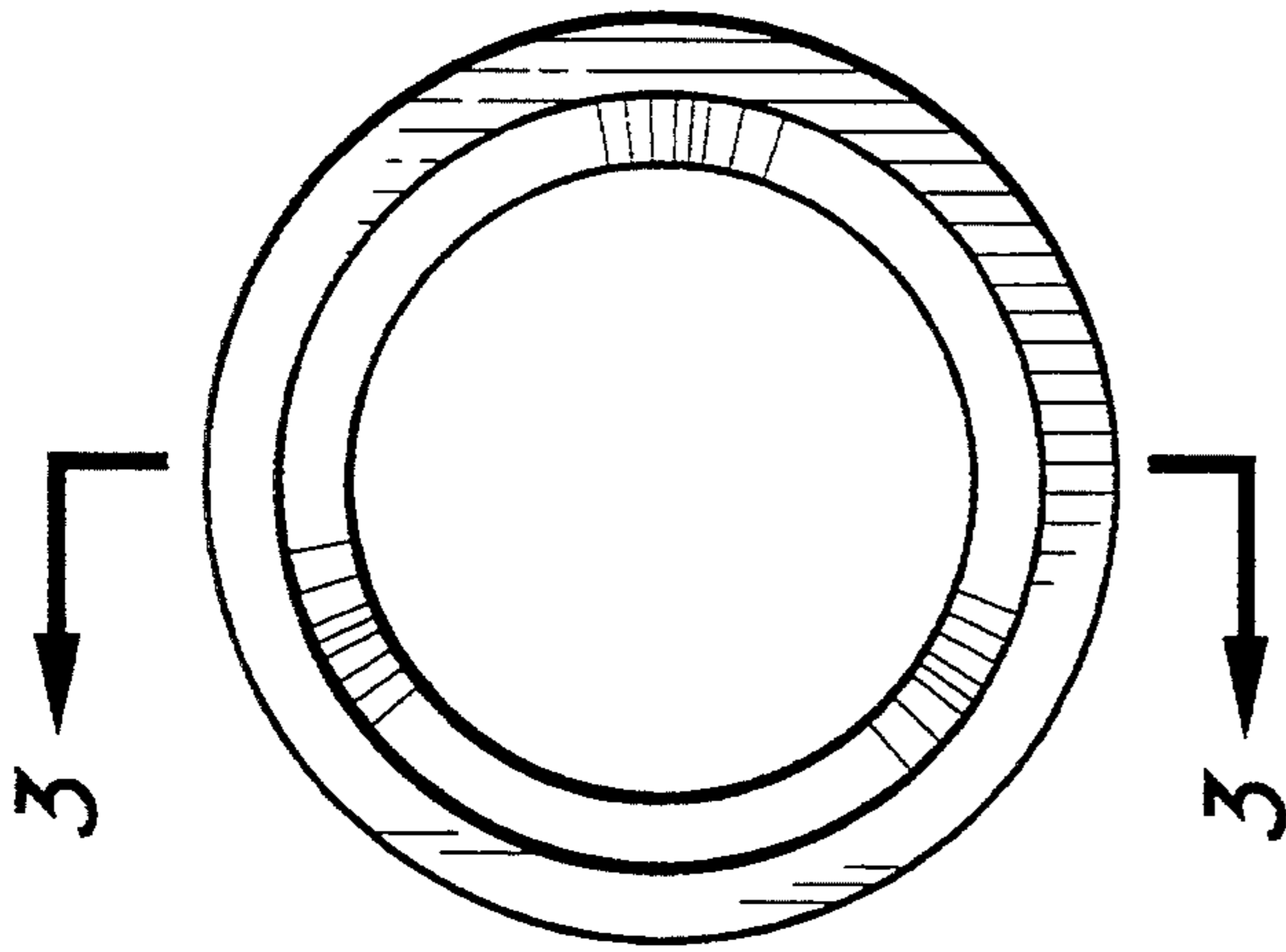


FIG. 2

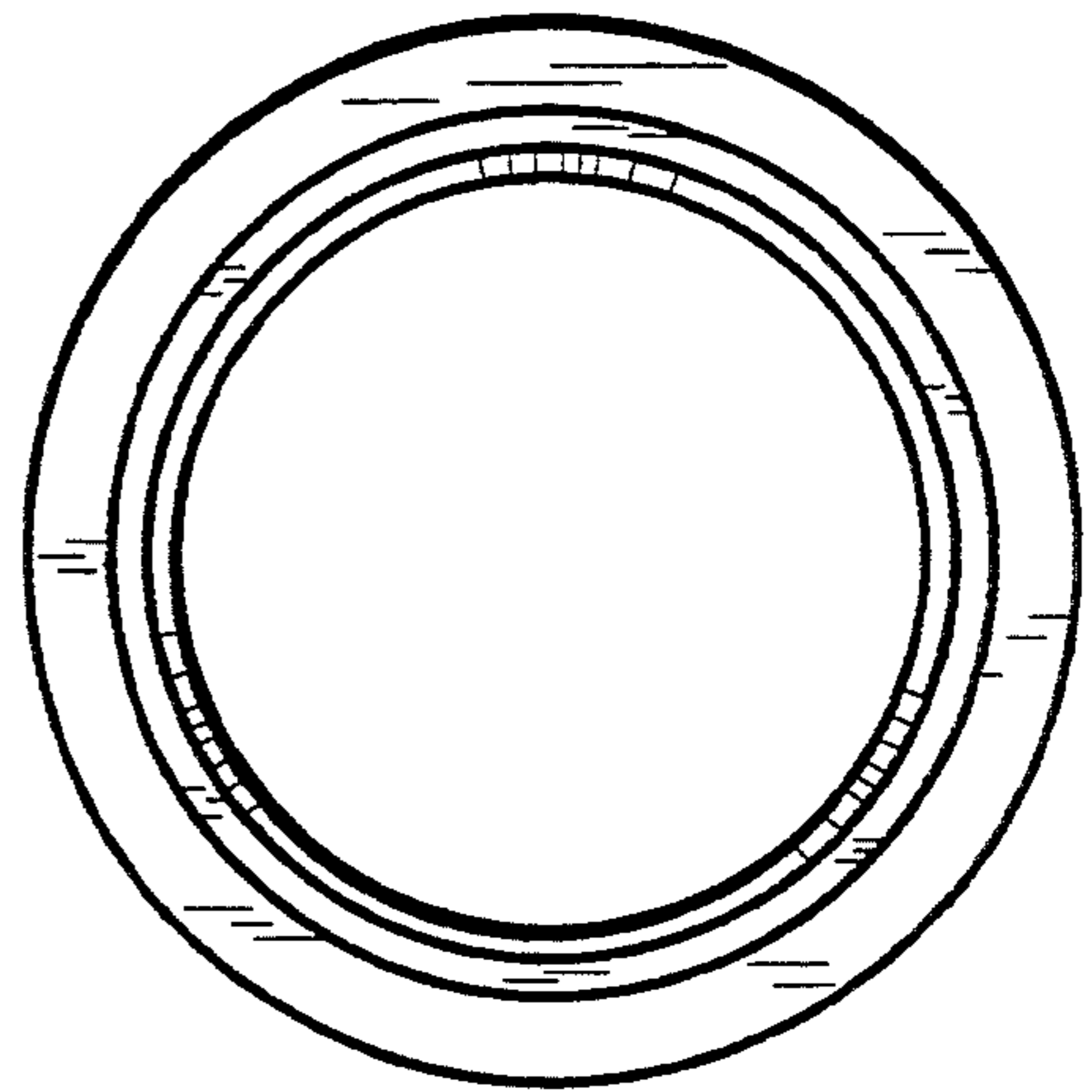


FIG. 4