



US00D360177S

United States Patent [19]

[11] Patent Number: **Des. 360,177**

Derrington

[45] Date of Patent: **** Jul. 11, 1995**

[54] **SUPPORT PROP FOR A PIVOTED LICENSE PLATE UNIT**

[76] Inventor: **Bill C. Derrington, 38182 Hamlin St., Fremont, Calif. 94536**

[**] Term: **14 Years**

[21] Appl. No.: **16,263**

[22] Filed: **Dec. 13, 1993**

[52] U.S. Cl. **D12/193; D8/402**

[58] Field of Search **D12/193, 223; D8/402; 296/97.22; 292/338, DIG. 15; 40/211**

[56] **References Cited**

U.S. PATENT DOCUMENTS

1,259,555	3/1918	Reilly	40/211
1,626,007	4/1927	Mitchell	292/338
2,277,283	3/1942	Wallace	292/338
3,905,637	9/1975	Smith	296/97.22
3,966,245	6/1976	Losenno	292/DIG. 15
4,172,611	10/1979	Krus	296/97.22
4,257,642	3/1981	Sampson	296/97.22
4,270,784	6/1981	Vanover	292/338

4,299,420	11/1981	Piepho	296/97.22
4,361,354	11/1982	Kemp, Jr.	292/338
4,390,201	6/1983	Saunders	296/97.22
4,395,070	7/1983	Veltman et al.	296/97.22
4,413,803	11/1983	Ross	248/475 B

Primary Examiner—James M. Gandy

[57] **CLAIM**

The ornamental design for a support prop for a pivoted license plate unit, as shown and described.

DESCRIPTION

FIG. 1 is a front elevational view of the support prop for a pivoted license plate unit showing my new design; FIG. 2 is a rear elevational view thereof; FIG. 3 is a left side elevational view thereof; FIG. 4 is a right side elevational view thereof; FIG. 5 is a front elevational view thereof on a reduced scale in position of use, it being understood that the broken lines are illustrative purposes only and form no part of the claimed design; FIG. 6 is a top plan view thereof; and, FIG. 7 is a bottom plan view thereof.

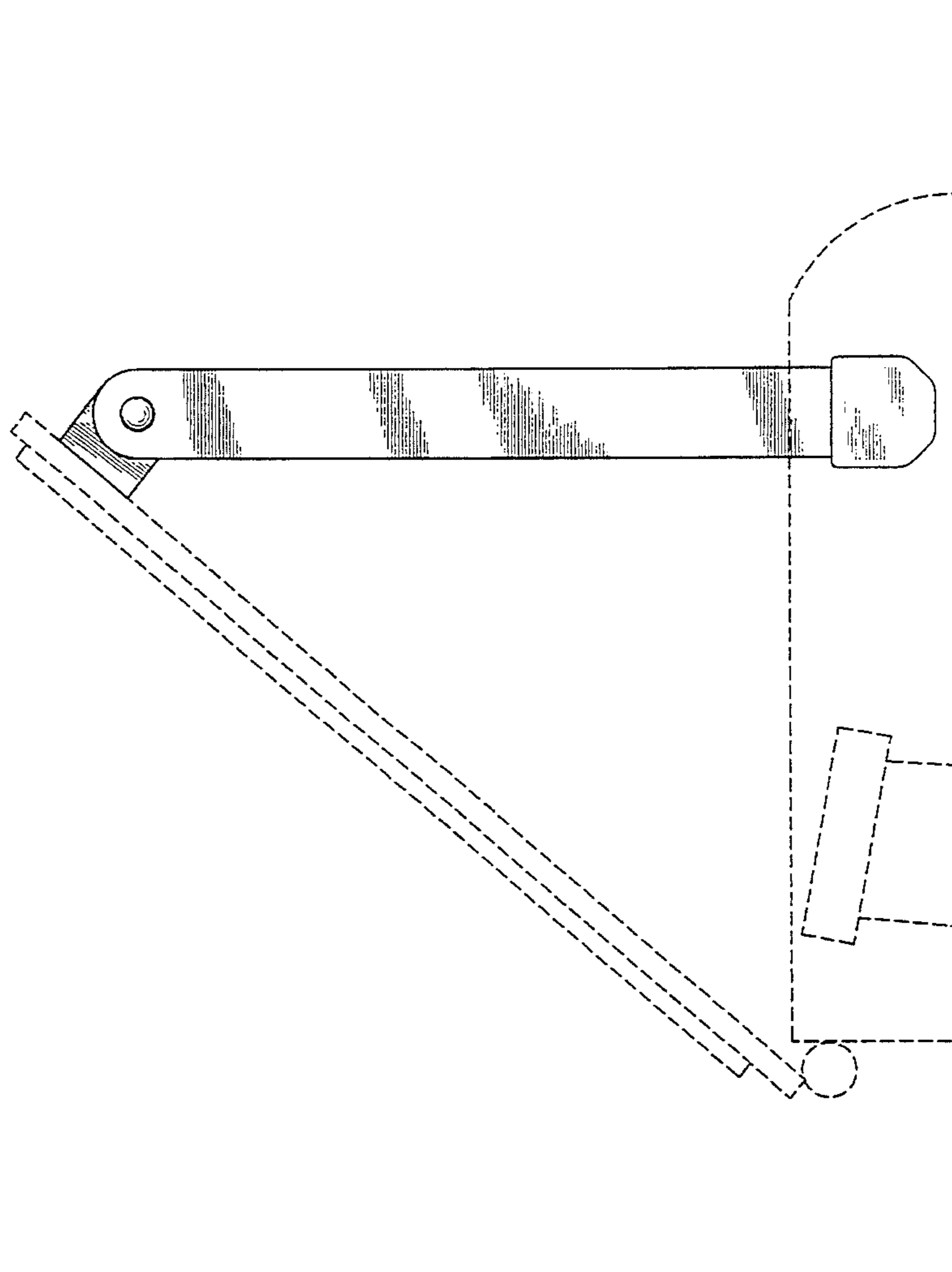


FIG. 1

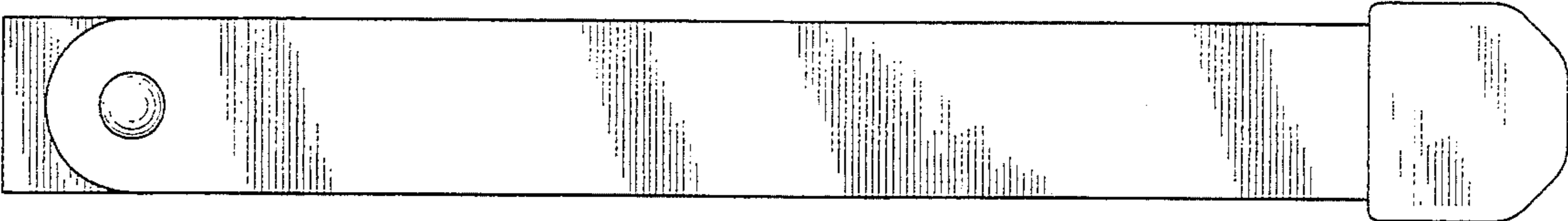


FIG. 2

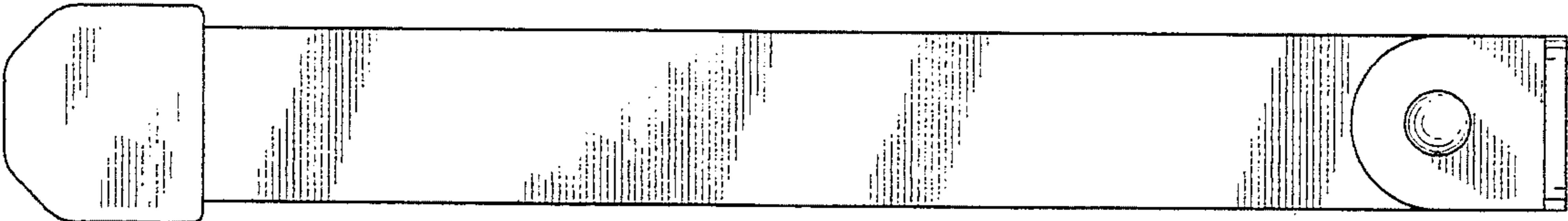


FIG. 3

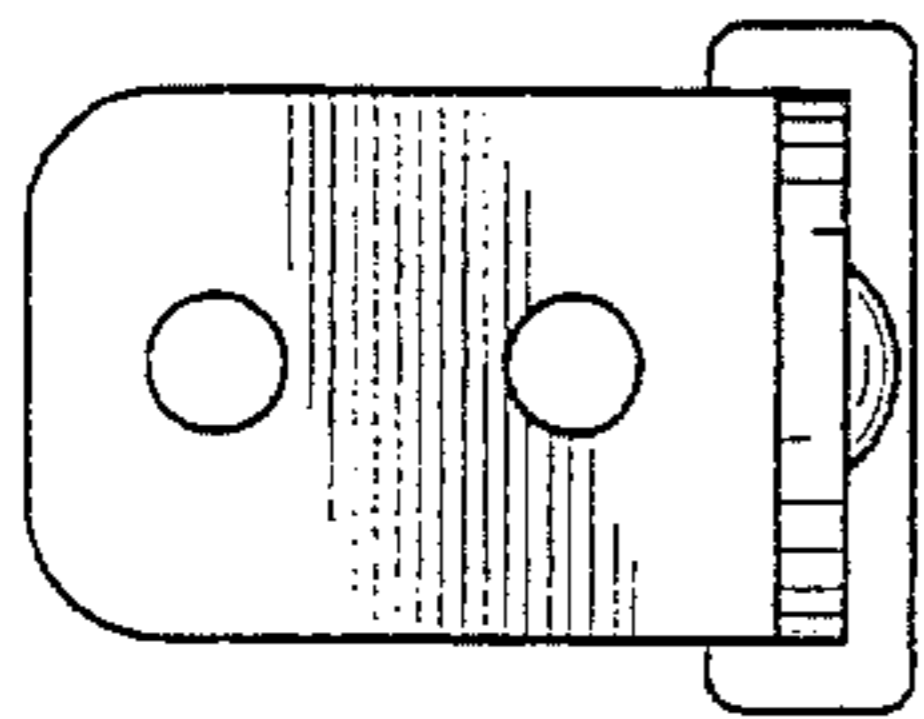


FIG. 4

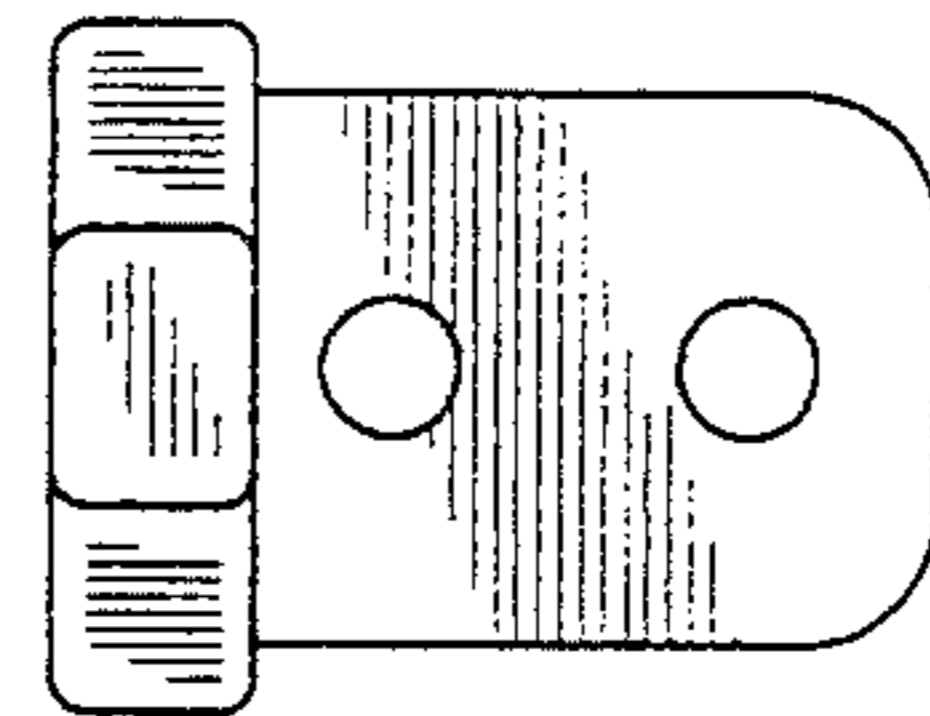


FIG. 5

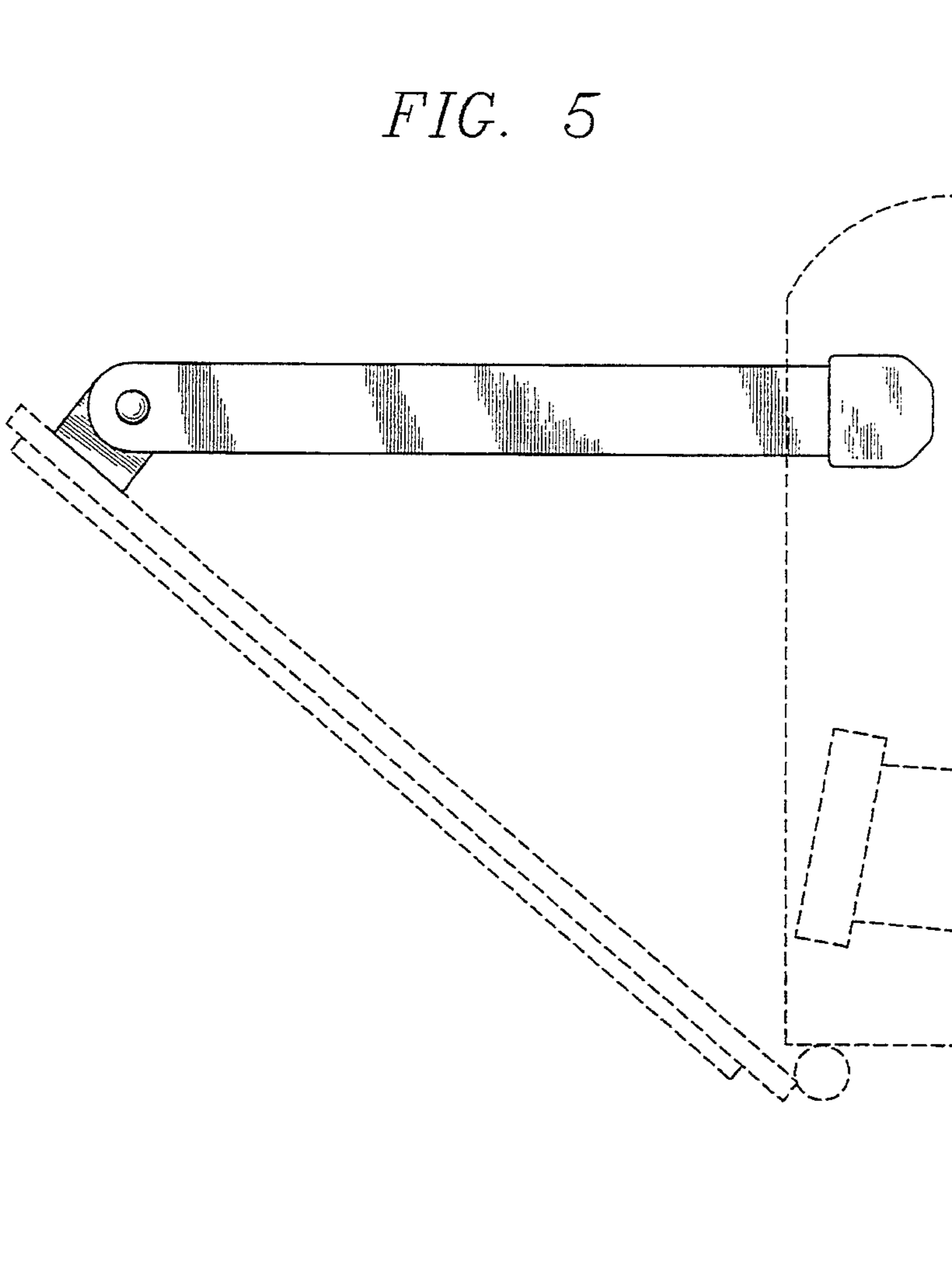


FIG. 6

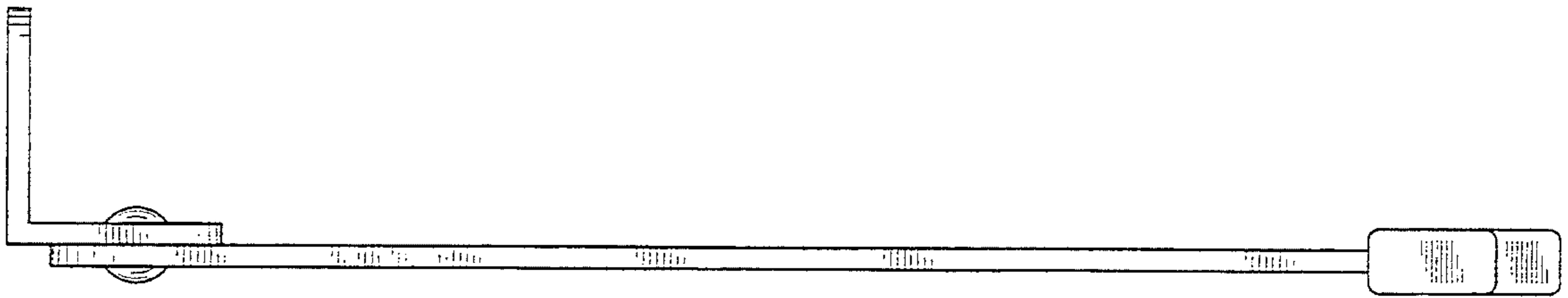


FIG. 7

