



US00D360175S

United States Patent [19] Eromäki

[11] Patent Number: **Des. 360,175**

[45] Date of Patent: **** Jul. 11, 1995**

[54] TIRE

892382 5/1989 Finland .

[75] Inventor: **Pentti Eromäki**, Nokia, Finland

[73] Assignee: **Nokia Tyres Limited**, Nokia, Finland

[**] Term: **14 Years**

[21] Appl. No.: **735,989**

[22] Filed: **Jul. 25, 1991**

[30] Foreign Application Priority Data

Jan. 30, 1991 [FI] Finland 83/91

[52] U.S. Cl. **D12/147**

[58] Field of Search D12/138, 140, 145-151;
152/209 R, 209 B, 209 D

[56] References Cited

U.S. PATENT DOCUMENTS

D. 322,237 12/1991 Nakatani D12/147

D. 328,583 8/1992 Graas et al. D12/147

4,299,264 11/1981 Williams 152/209

FOREIGN PATENT DOCUMENTS

28438 6/1956 Finland .

OTHER PUBLICATIONS

1990 Tread Design Guide, p. 38, Goodyear Eagle ZRS Tire, third row down from top, second tire in from left side of page.

Primary Examiner—James M. Gandy
Attorney, Agent, or Firm—Klauber & Jackson

[57] CLAIM

The ornamental design for a tire, as shown and described.

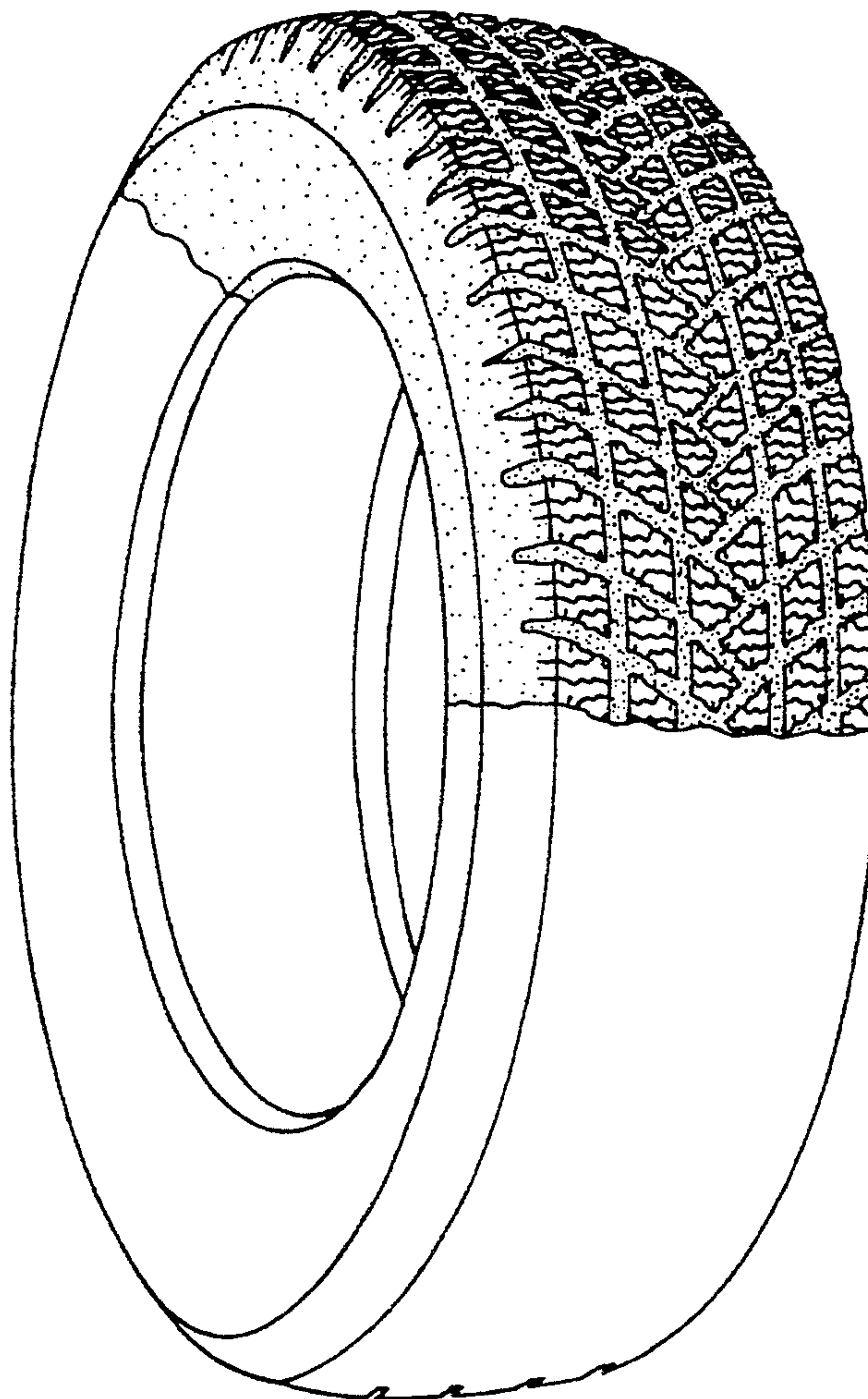
DESCRIPTION

FIG. 1 is a perspective view of a tire showing my new design;

FIG. 2 is a left side elevational view thereof on a reduced scale, the right side elevational view being identical; and,

FIG. 3 is a front elevational view thereof.

The tread pattern is understood to be repeated uniformly throughout the circumference of the tire as shown schematically by solid lines in all three views of the drawing.



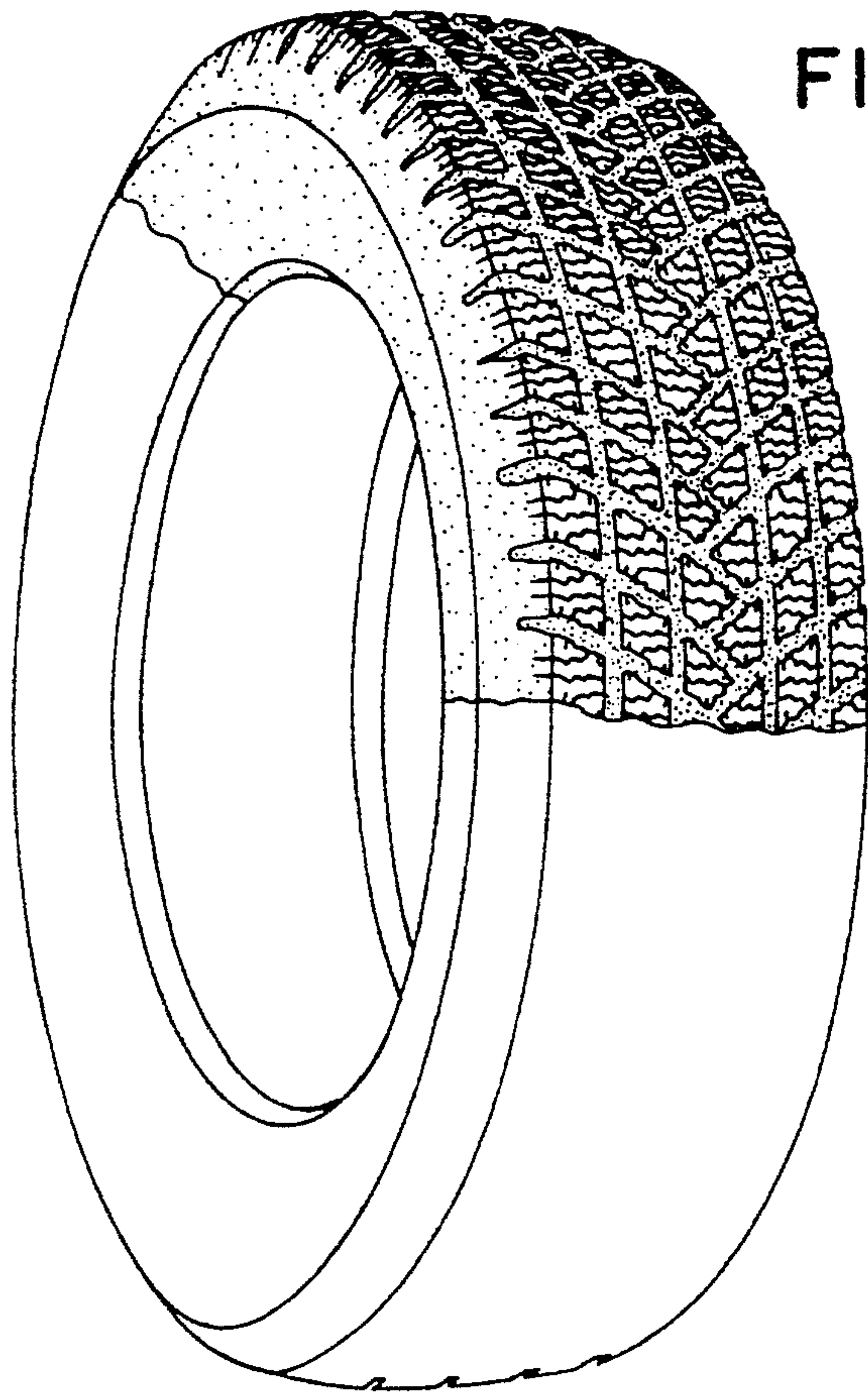


FIG. 1

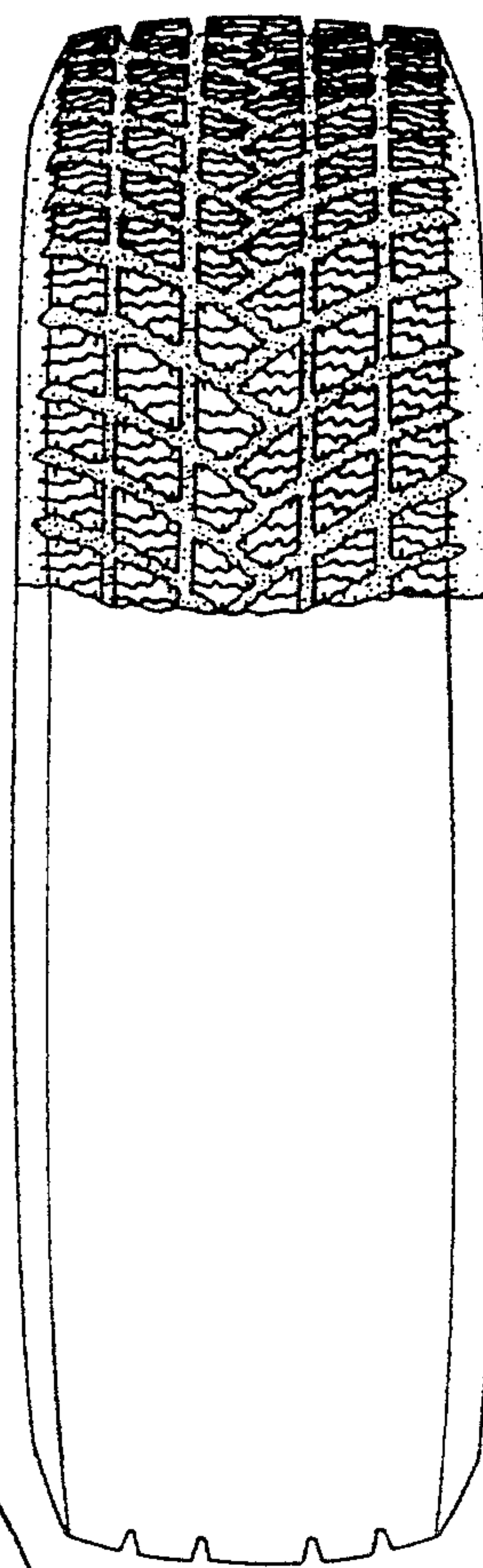


FIG. 3

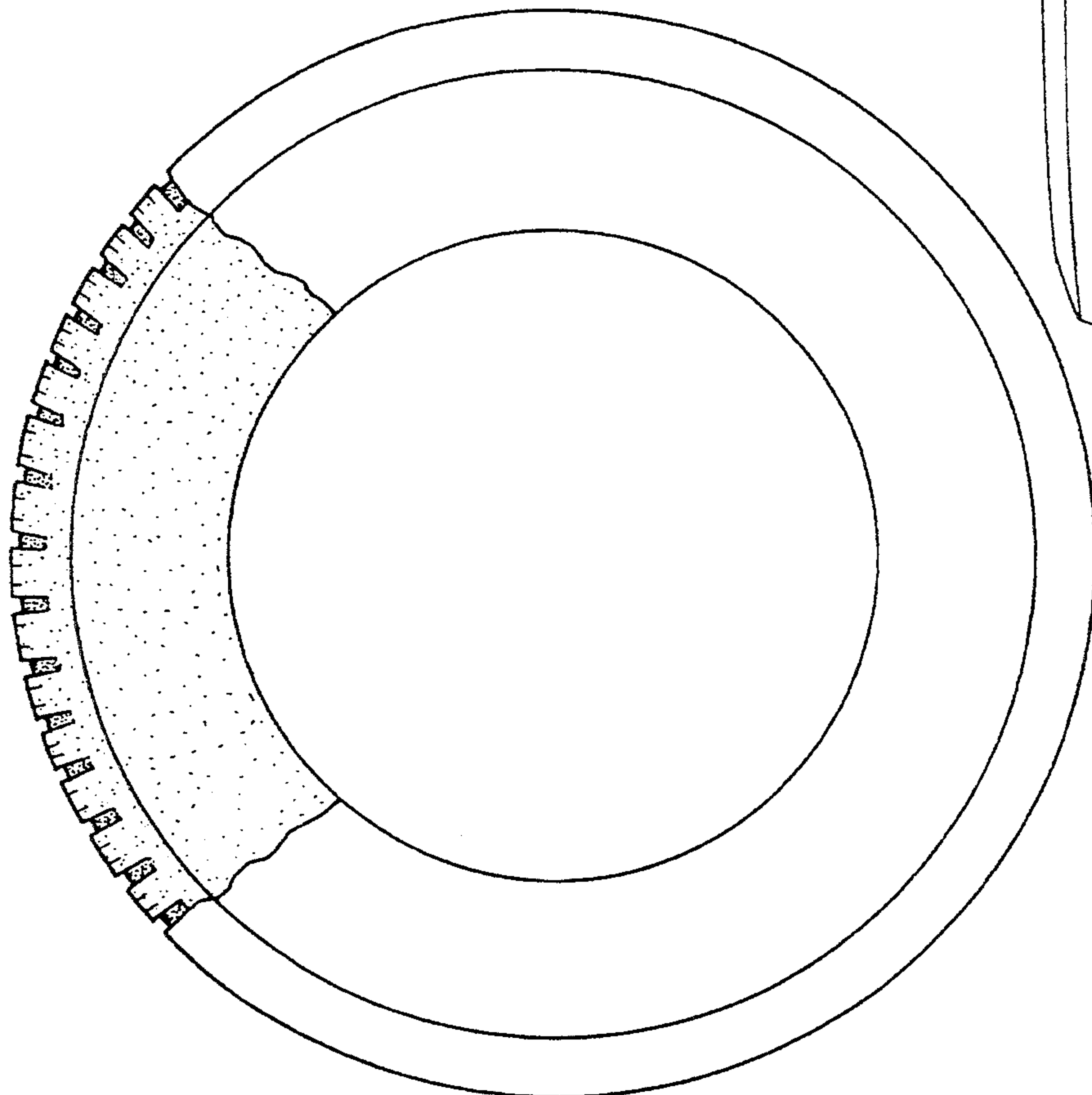


FIG. 2