



US00D360174S

United States Patent [19]

[11] Patent Number: **Des. 360,174**

Kjell et al.

[45] Date of Patent: **** Jul. 11, 1995**

[54] **ROLLING WALKER**

D. 312,061 11/1990 Smith D12/130
4,962,781 10/1990 Kanbar 135/74

[75] Inventors: **Sven-Inge Kjell**, Anderstorp; **Kjell Henriksson**, Ringvägen; **Anders Ahlbertz**, Husargatan, all of Sweden

OTHER PUBLICATIONS

Brochure on Rollator 90 by Dolomite Svenska AB, Depagatan 3 (Mar. 1990) Box 55, S-334 00, Anderstorp, Sweden.

[73] Assignee: **Dolomite Svenska AB**, Anderstorp, Sweden

Primary Examiner—Kay H. Chin
Attorney, Agent, or Firm—Antonelli, Terry, Stout & Kraus

[**] Term: **14 Years**

[21] Appl. No.: **19,236**

[57] CLAIM

[22] Filed: **Feb. 25, 1994**

The ornamental design for a rolling walker, as shown and described.

[30] Foreign Application Priority Data

DESCRIPTION

Aug. 30, 1993 [SE] Sweden 93 1903

[52] U.S. Cl. **D12/130**; D12/128

[58] Field of Search D12/130, 128; 297/5, 297/6; 280/647, 643; 135/65, 67, 72, 74, 73; 482/69

FIG. 1 is a left side elevational view of the rolling walker showing my new design;
FIG. 2 is a rear elevational view thereof;
FIG. 3 is a right side elevational view thereof;
FIG. 4 is a front elevational view thereof;
FIG. 5 is a top plan view thereof;
FIG. 6 is a bottom plan view thereof; and,
FIG. 7 is a perspective view showing the rolling walker collapsed for carrying and storage.

[56] References Cited

U.S. PATENT DOCUMENTS

D. 281,771 12/1985 Webb D12/130
D. 293,663 1/1988 Erfurth D12/130
D. 310,646 9/1990 Rose D12/130

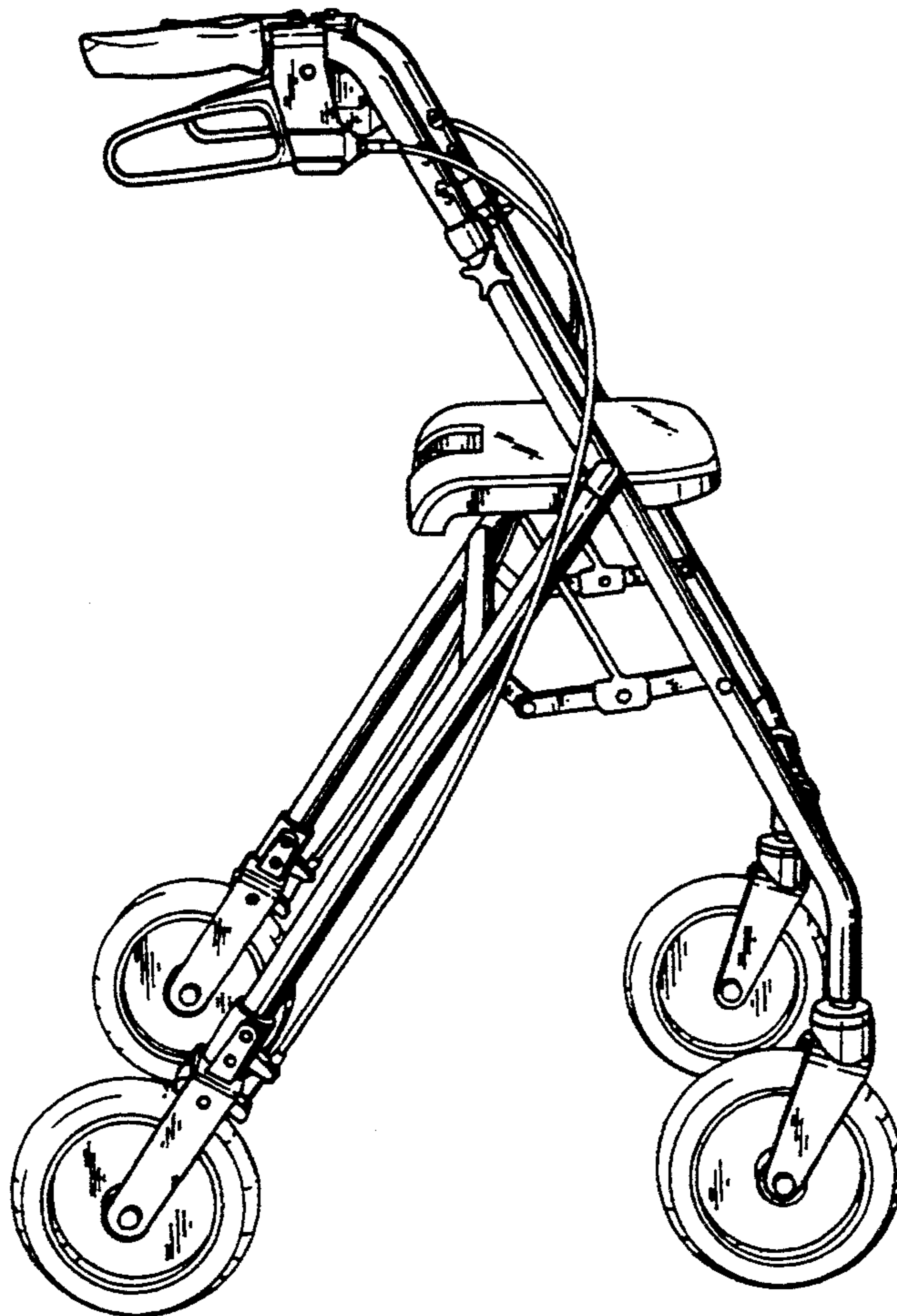


Fig. 2

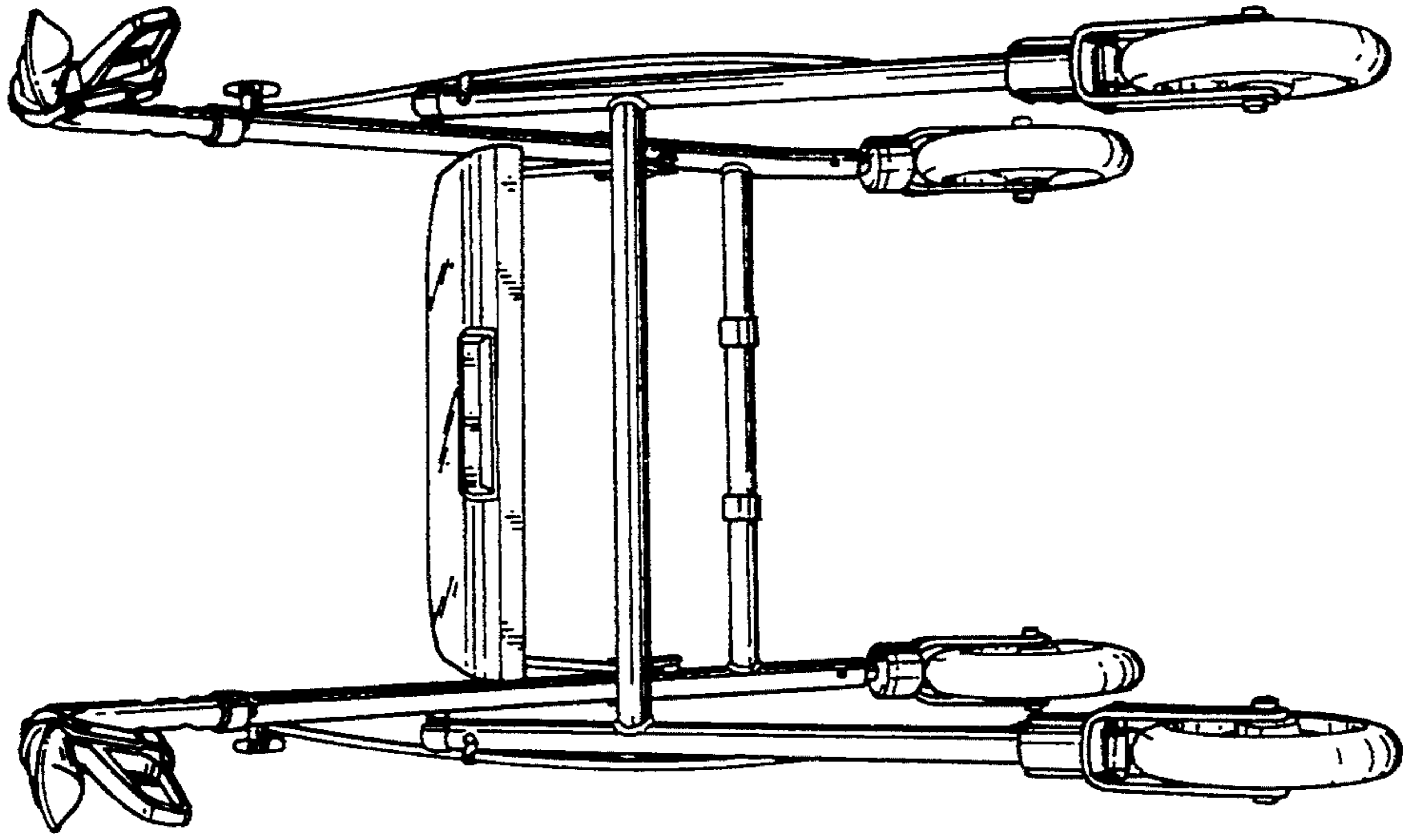


Fig. 1

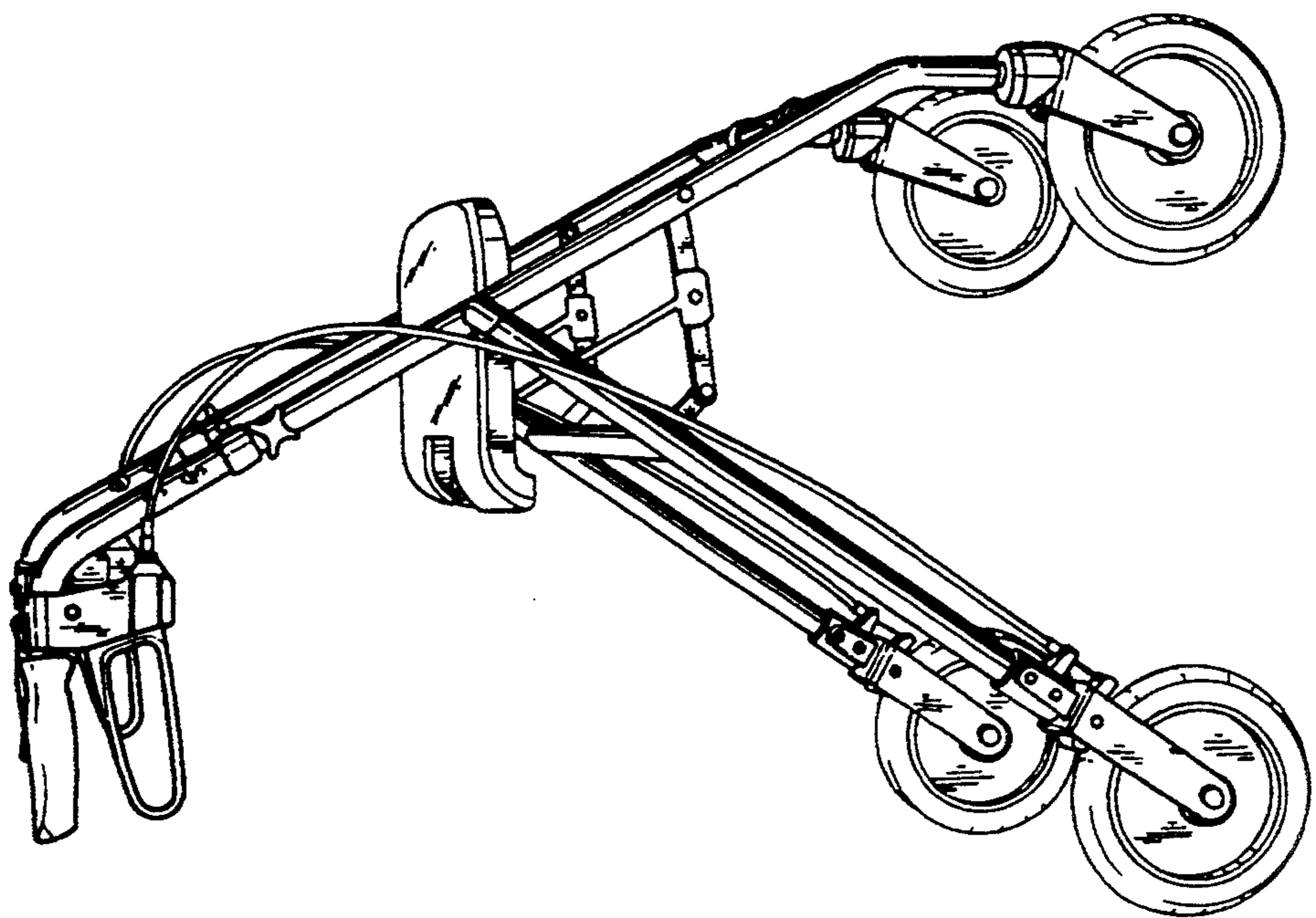


Fig. 4

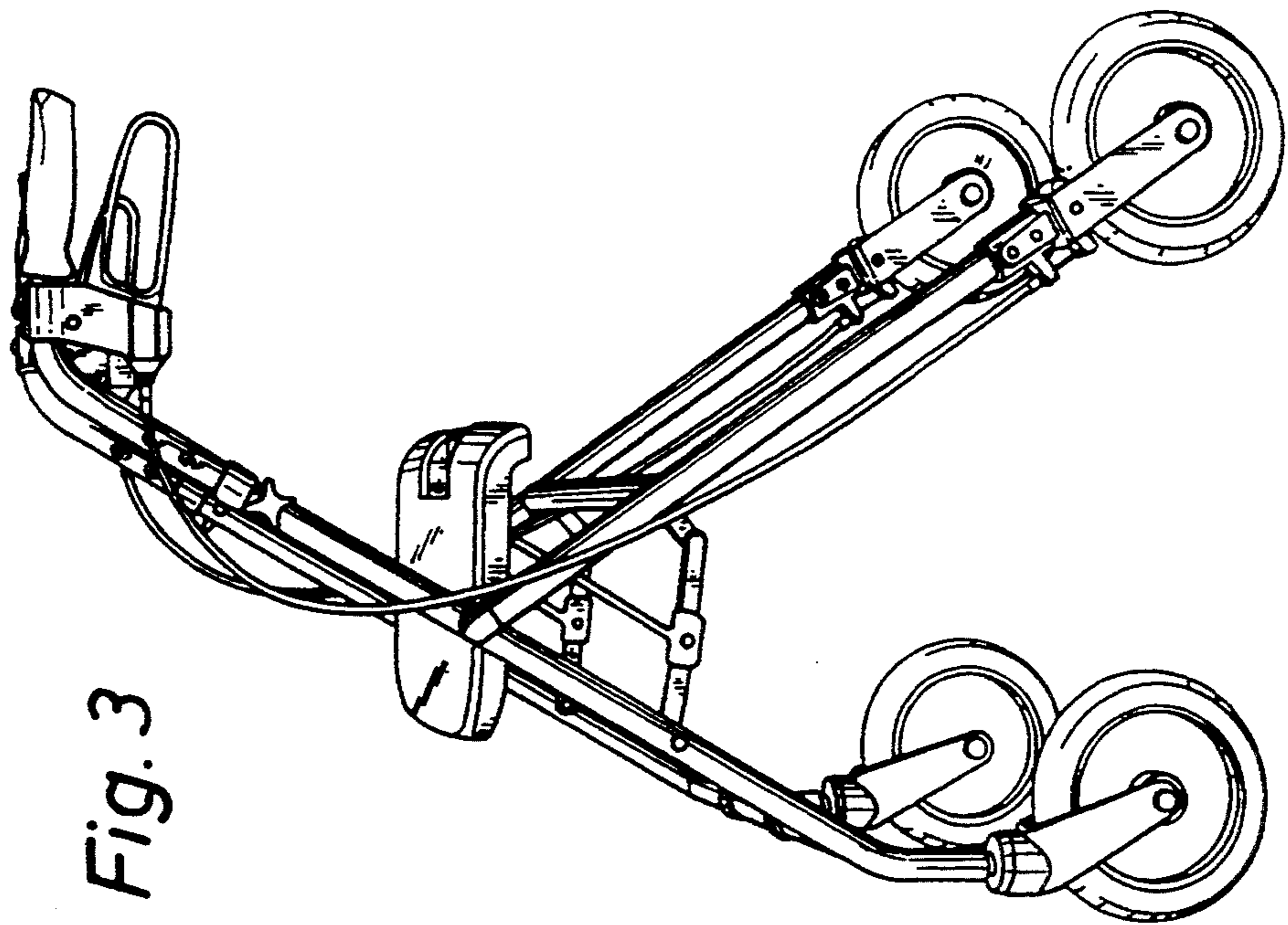
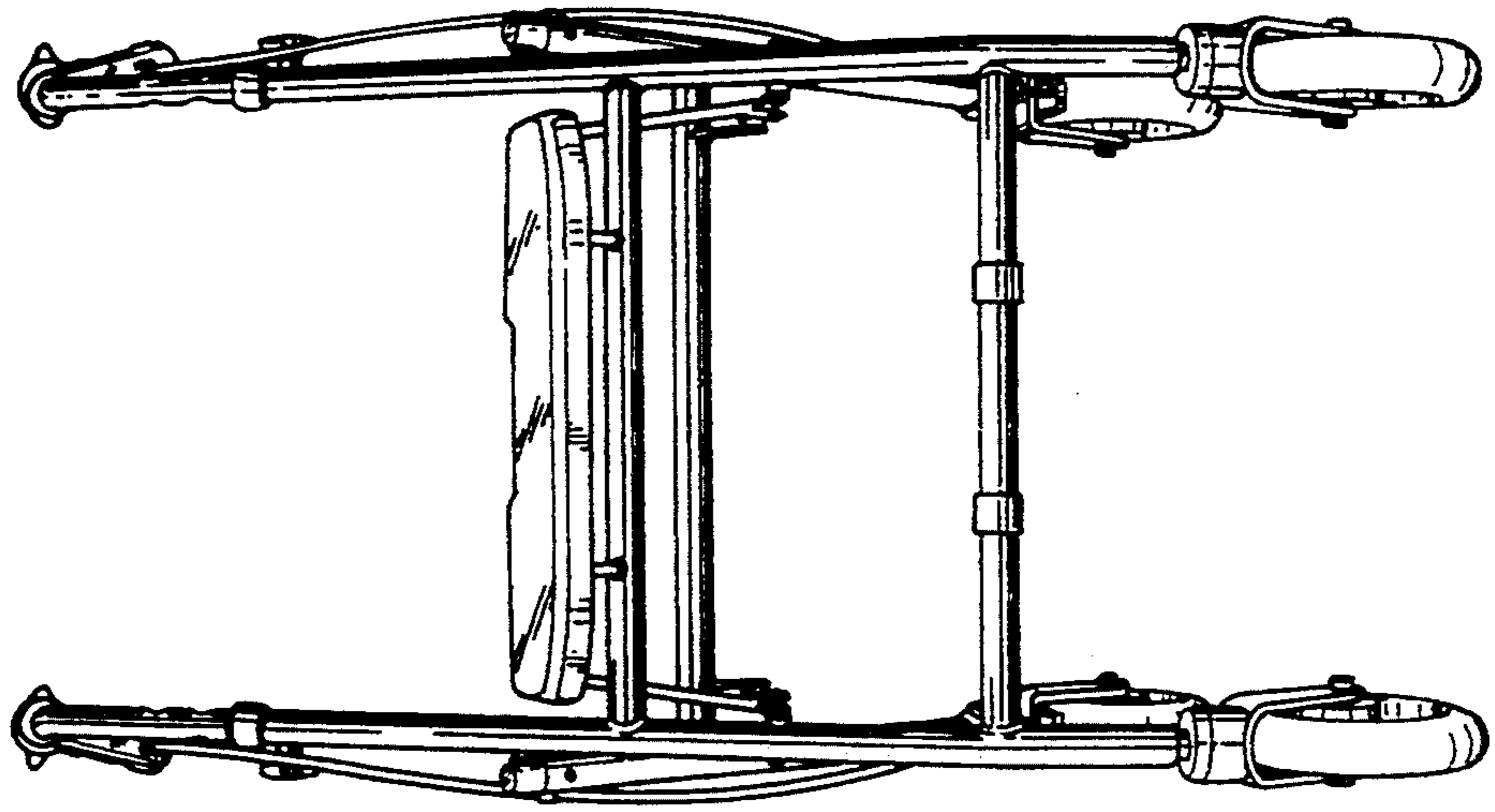


Fig. 3

Fig. 6

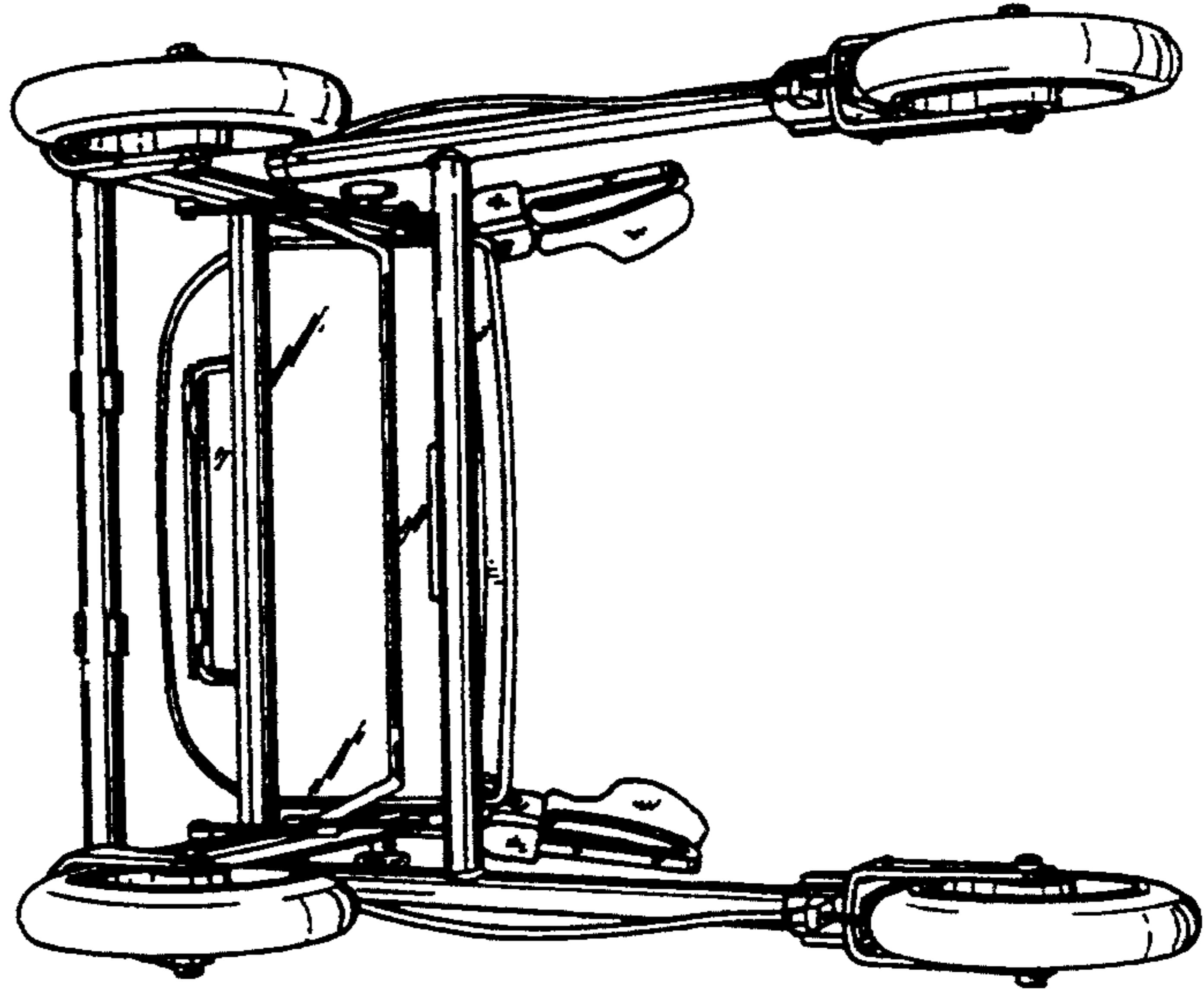


Fig. 5

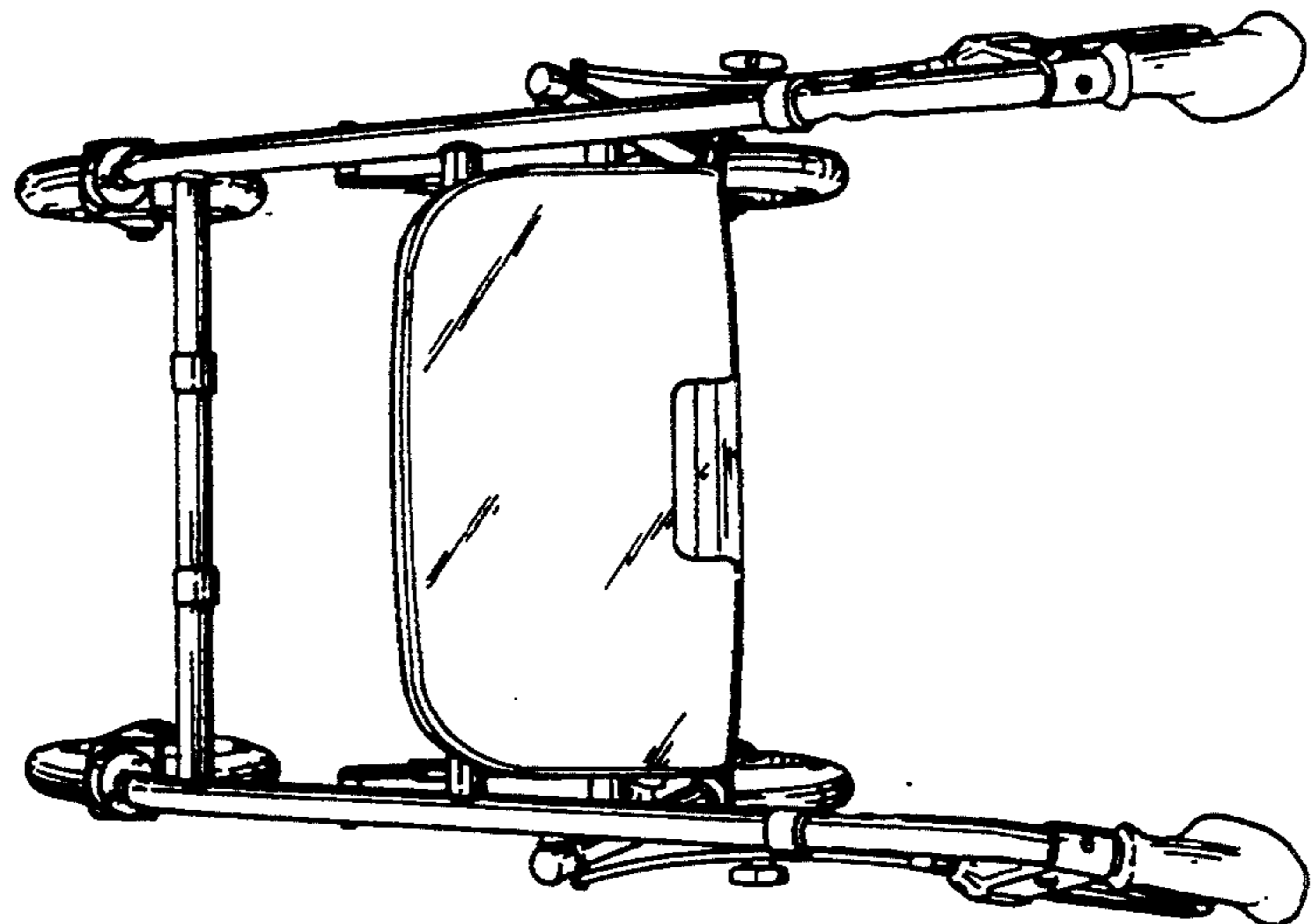


Fig. 7

