



US00D360173S

United States Patent [19]

[11] Patent Number: **Des. 360,173**

Nishio et al.

[45] Date of Patent: **** Jul. 11, 1995**

[54] **BABY STROLLER**

[56] **References Cited**

[75] Inventors: **Hiroyuki Nishio; Yoshihisa Yamaguchi**, both of Tokyo, Japan

U.S. PATENT DOCUMENTS

- D. 288,544 3/1987 Nakao et al. D12/129
- D. 293,661 1/1988 Nakao et al. D12/129
- D. 345,128 3/1994 Kassai D12/129
- D. 352,017 11/1994 Kaneko D12/129

[73] Assignee: **Combi Corporation**, Tokyo, Japan

Primary Examiner—Kay H. Chin
Attorney, Agent, or Firm—Sughrue, Mion, Zinn, Macpeak & Seas

[**] Term: **14 Years**

[21] Appl. No.: **24,474**

[57] **CLAIM**

The ornamental design for a baby stroller, as shown.

[22] Filed: **Jun. 14, 1994**

DESCRIPTION

[30] **Foreign Application Priority Data**

FIG. 1 is a perspective view showing the top, front and right side of a baby stroller showing our new design; FIG. 2 is a front elevational view thereof; FIG. 3 is a rear elevational view thereof; FIG. 4 is a left side elevational view thereof; FIG. 5 is a top plan view thereof; and, FIG. 6 is a bottom plan view thereof.

Dec. 14, 1993 [JP] Japan 5-37619

[52] U.S. Cl. **D12/129**

[58] Field of Search D12/129, 130, 132, 133; 280/642, 643, 644, 42, 647, 648, 649, 650; 297/45, 184, 487; D6/333

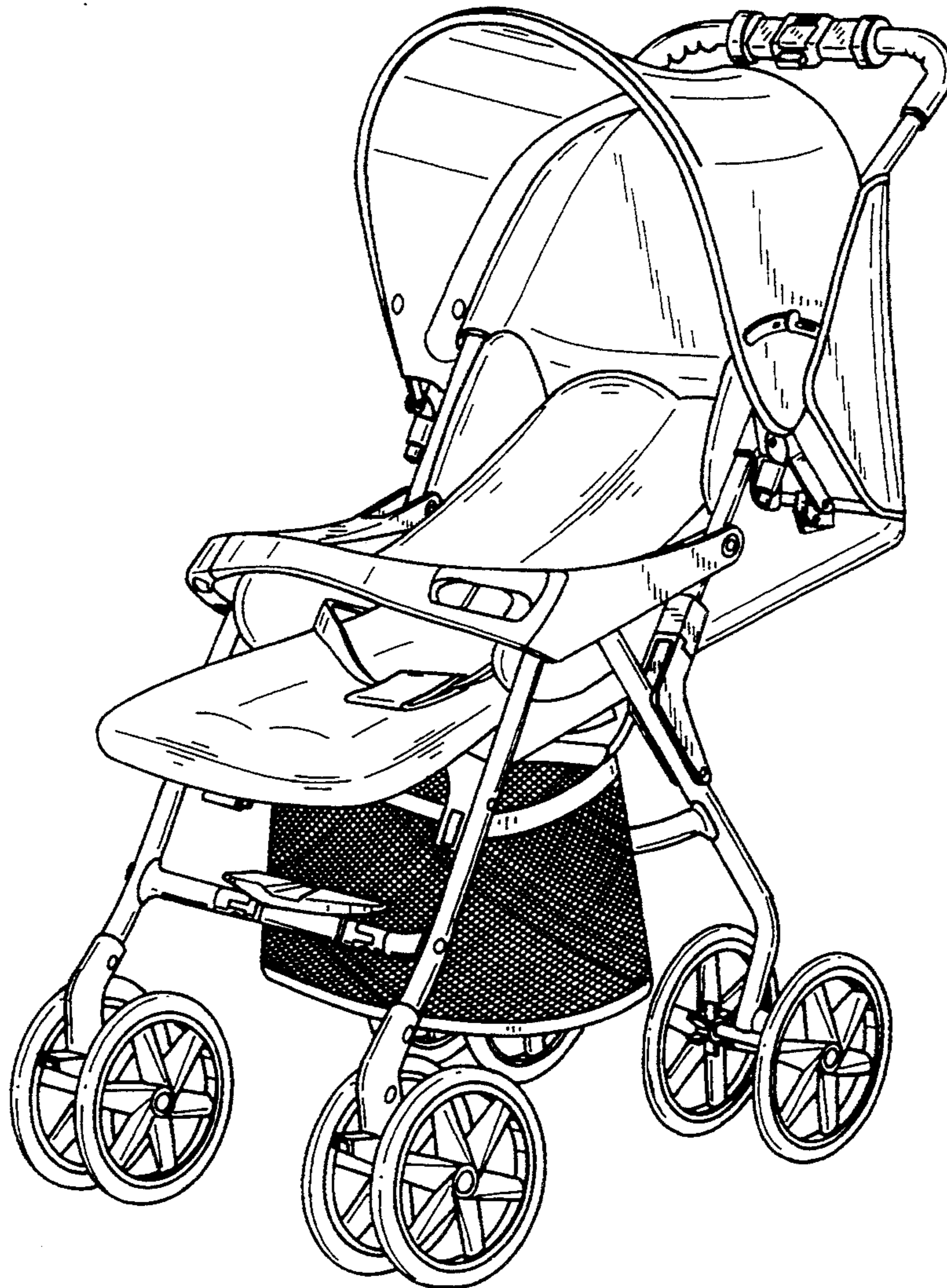


Fig. 1



Fig. 2

Fig. 3

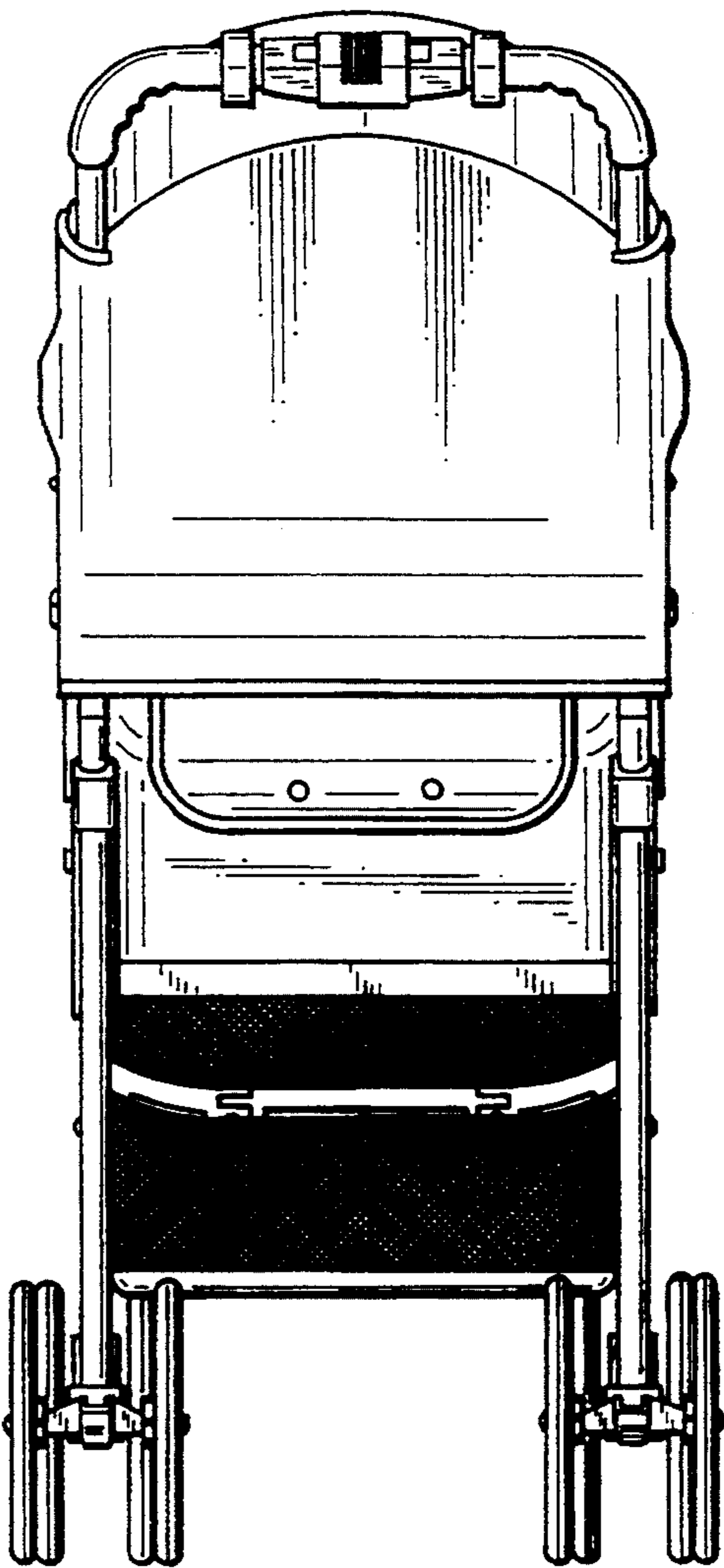
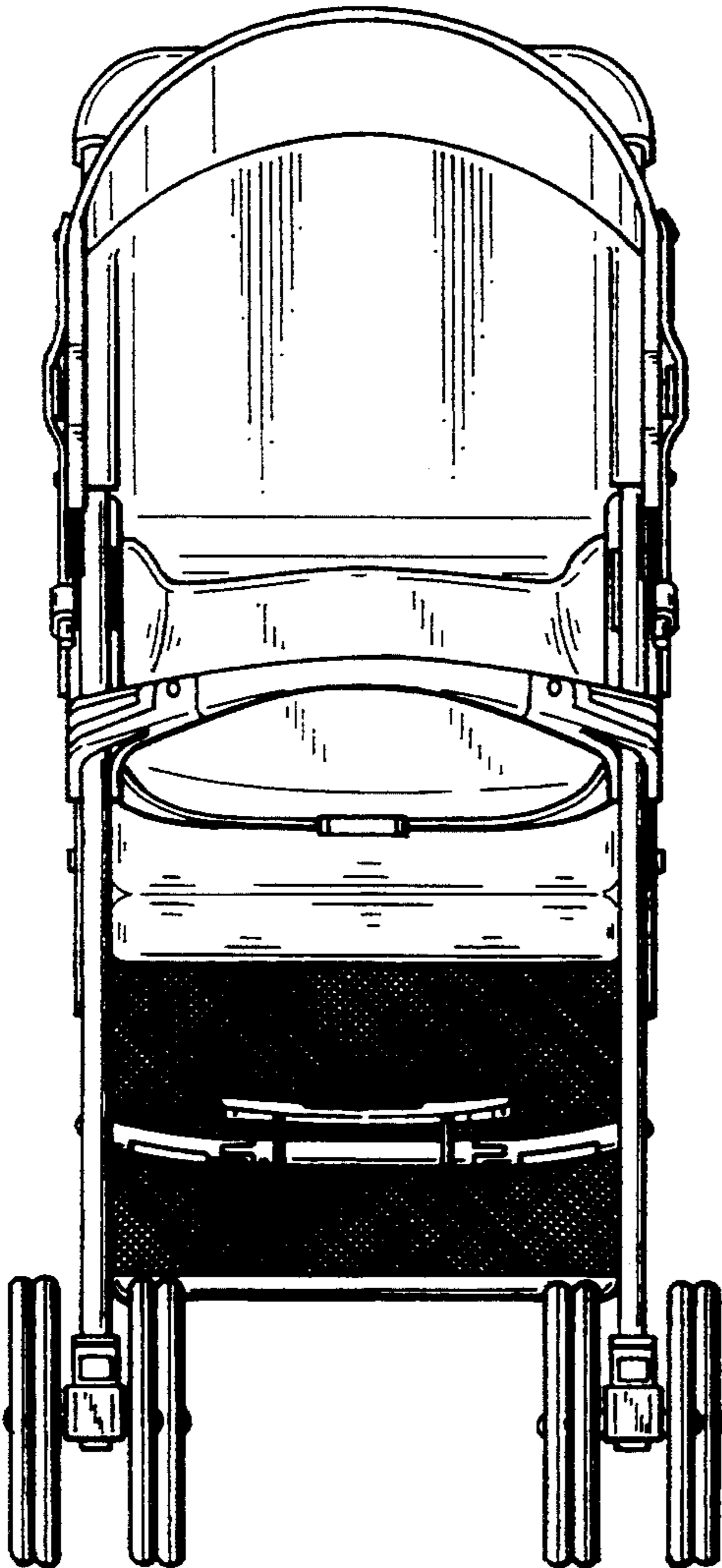


Fig. 4

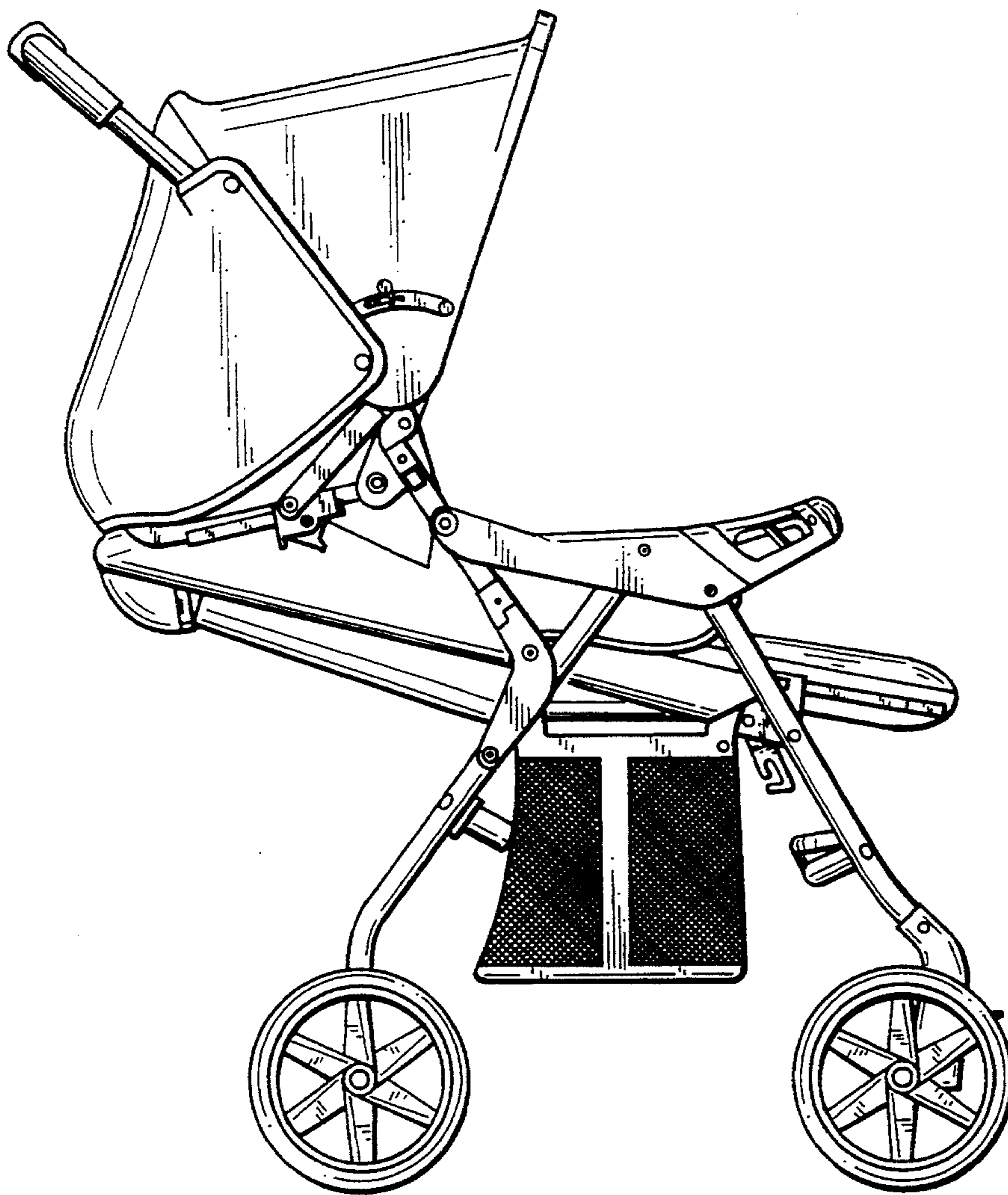


Fig. 5

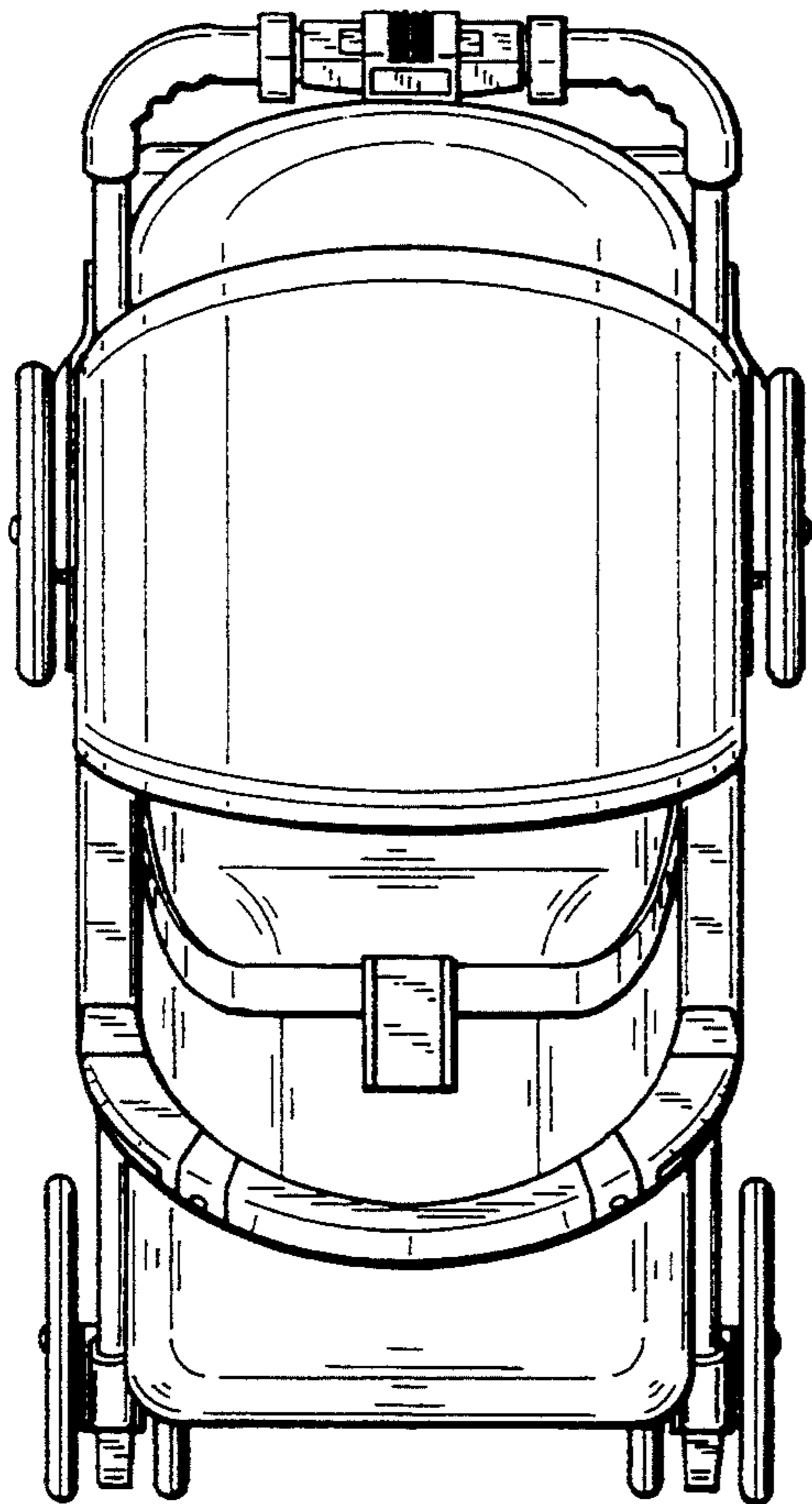


Fig. 6

