



US00D360169S

United States Patent [19]
Gazalski

[11] **Patent Number: Des. 360,169**
[45] **Date of Patent: ** Jul. 11, 1995**

[54] **ANCHOR**
[76] **Inventor: Richard S. Gazalski, Hwy. 75 North,
P.O. Box 1208, Henryetta, Okla.
74437**

2,289,647 7/1942 Grossenbach 114/294
2,520,233 8/1950 Buehl 114/294
2,589,913 3/1952 Wenner 114/294
2,595,966 5/1952 Majors 114/300
2,630,093 3/1953 Toal 114/294

[**] **Term: 14 Years**

*Primary Examiner—Kay H. Chin
Attorney, Agent, or Firm—Shoemaker and Mattare, Ltd.*

[21] **Appl. No.: 20,007**

[57] **CLAIM**

[22] **Filed: Mar. 16, 1994**
[52] **U.S. Cl. D12/215**
[58] **Field of Search D12/215; 114/294, 300,
114/311, 210**

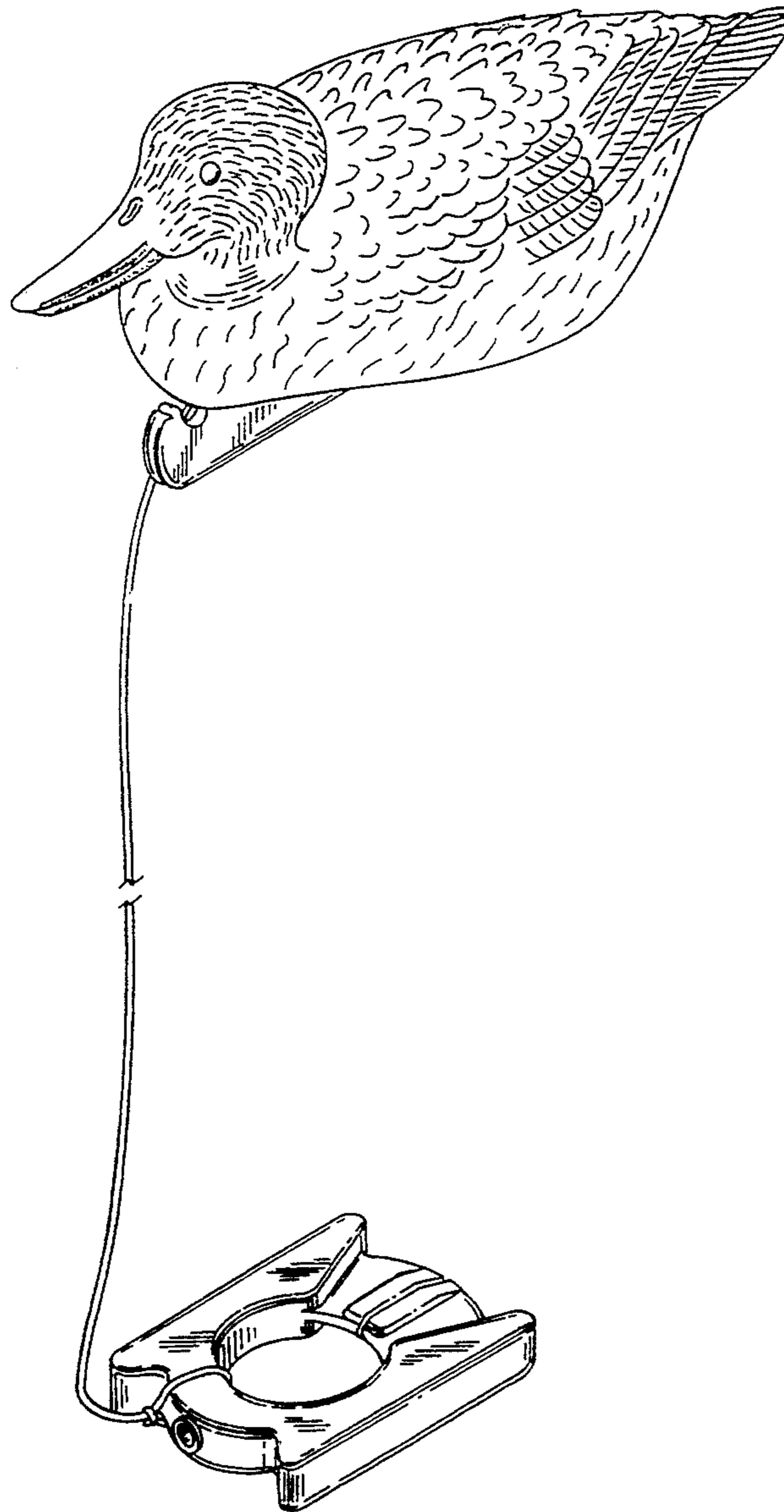
The ornamental design for an anchor, as shown and described.

DESCRIPTION

[56] **References Cited**
U.S. PATENT DOCUMENTS

D. 259,035 4/1981 Greenhawk, Sr. D12/215
2,278,594 4/1942 Smith 114/294

FIG. 1 is a front and top perspective view of an anchor showing my new design, a portion of the cord being broken away to indicate indeterminate length; and, FIG. 2 is a rear and bottom perspective view thereof, the decoy being omitted for convenience of illustration.



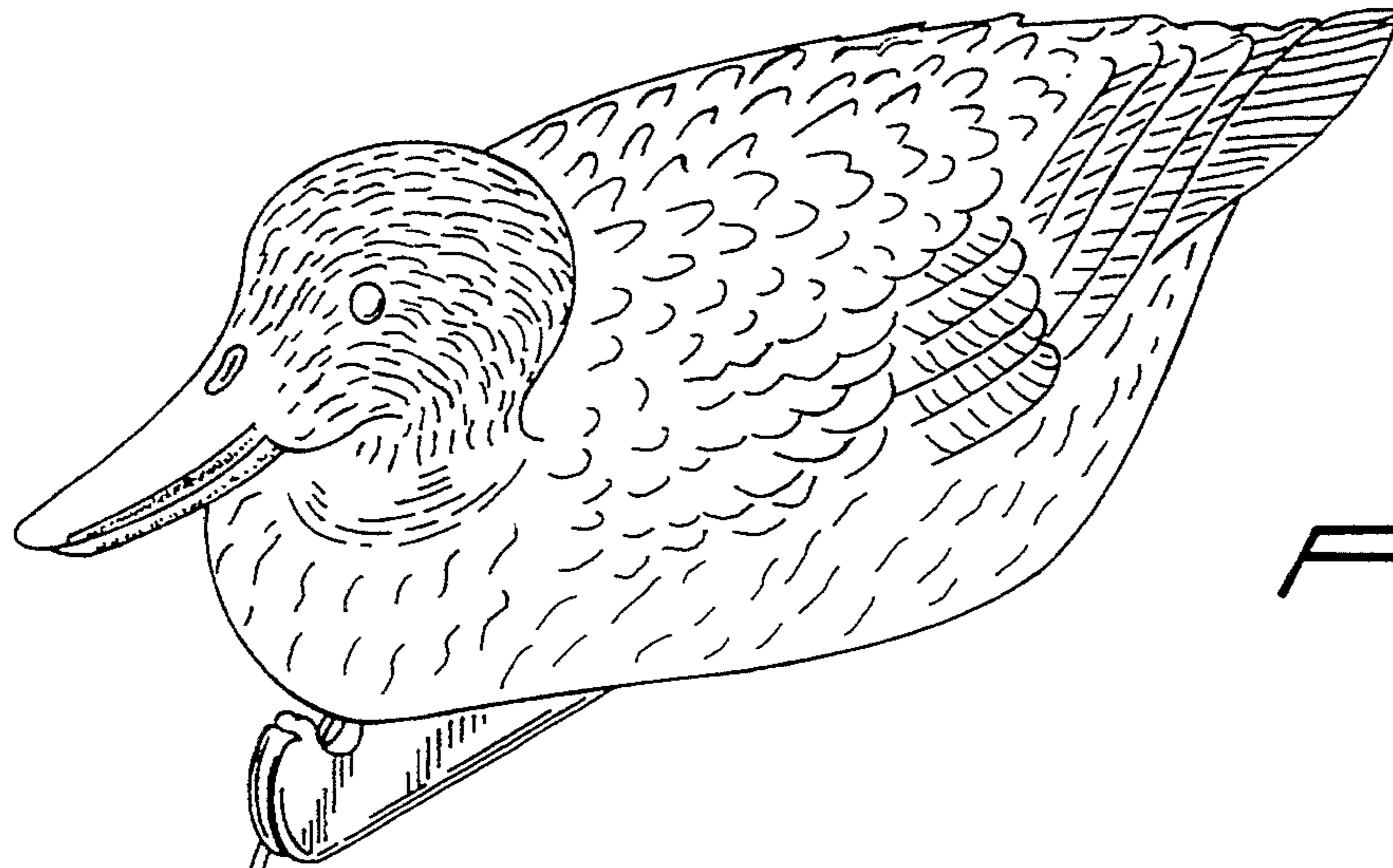


FIG. 1

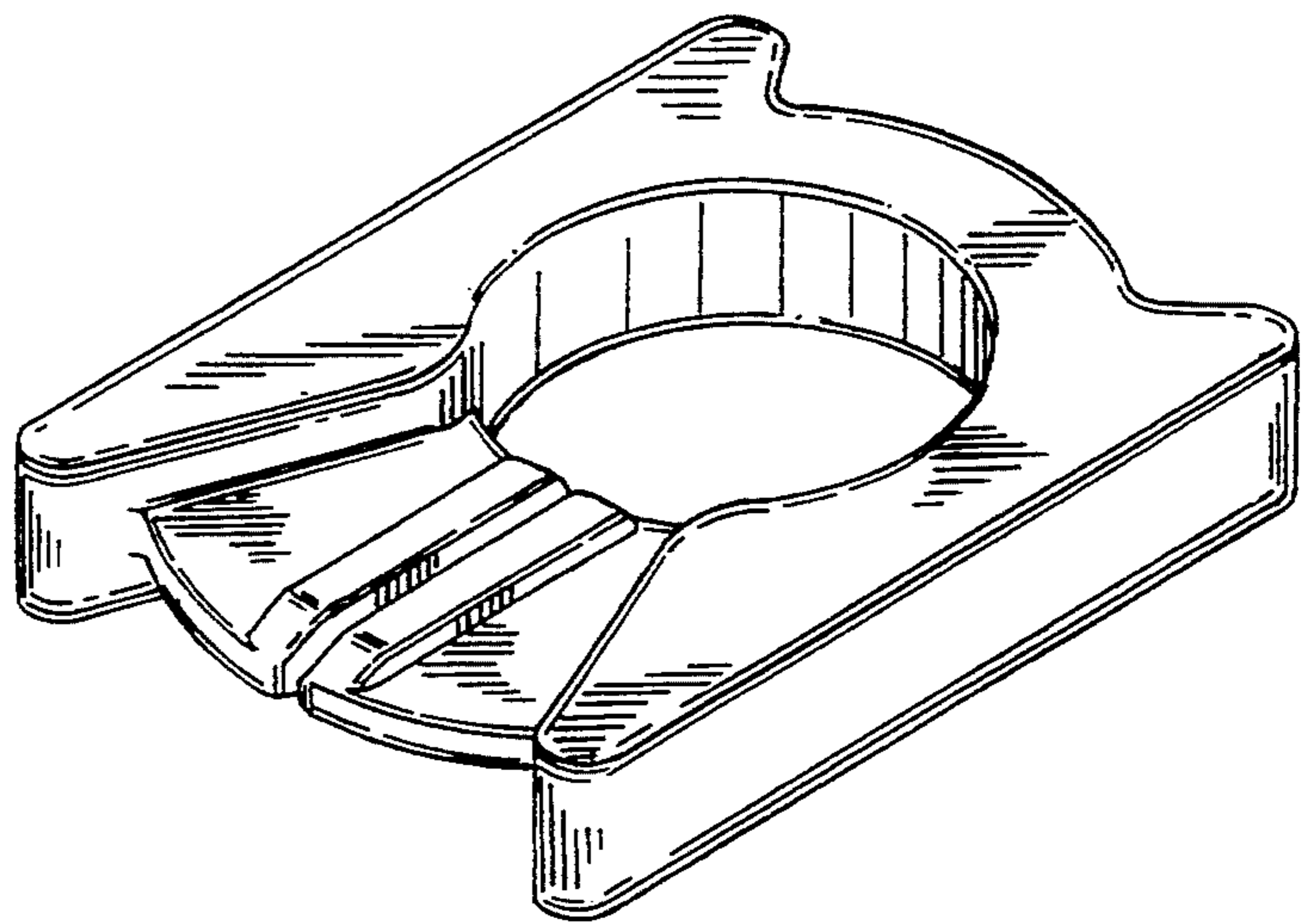


FIG. 2

