



US00D360159S

United States Patent [19]

Moore

[11] Patent Number: **Des. 360,159**

[45] Date of Patent: **** Jul. 11, 1995**

[54] **WARNING BELL**

[76] Inventor: **Patrick A. Moore**, 2006 N. Farwell
#303, Milwaukee, Wis. 53202

[**] Term: **14 Years**

[21] Appl. No.: **27,226**

[22] Filed: **Aug. 15, 1994**

[52] U.S. Cl. **D10/116**

[58] Field of Search D10/109, 111, 116, 117,
D10/120; 116/148, 149, 150, 152, 155, 157, 158,
166

616,015 12/1898 Rockwell 116/166
621,759 3/1899 Rockwell 116/166
702,160 6/1902 Seabrook 116/166
1,108,103 8/1914 Maytrott 116/166

Primary Examiner—Susan J. Lucas
Assistant Examiner—Marcus Jackson
Attorney, Agent, or Firm—Edward H. Renner

[57] CLAIM

The ornamental design for a warning bell, as shown and described.

DESCRIPTION

FIG. 1 is a front elevational view of a warning bell showing my new design, with the rear being a mirror image;

FIG. 2 is a right side elevational view thereof;

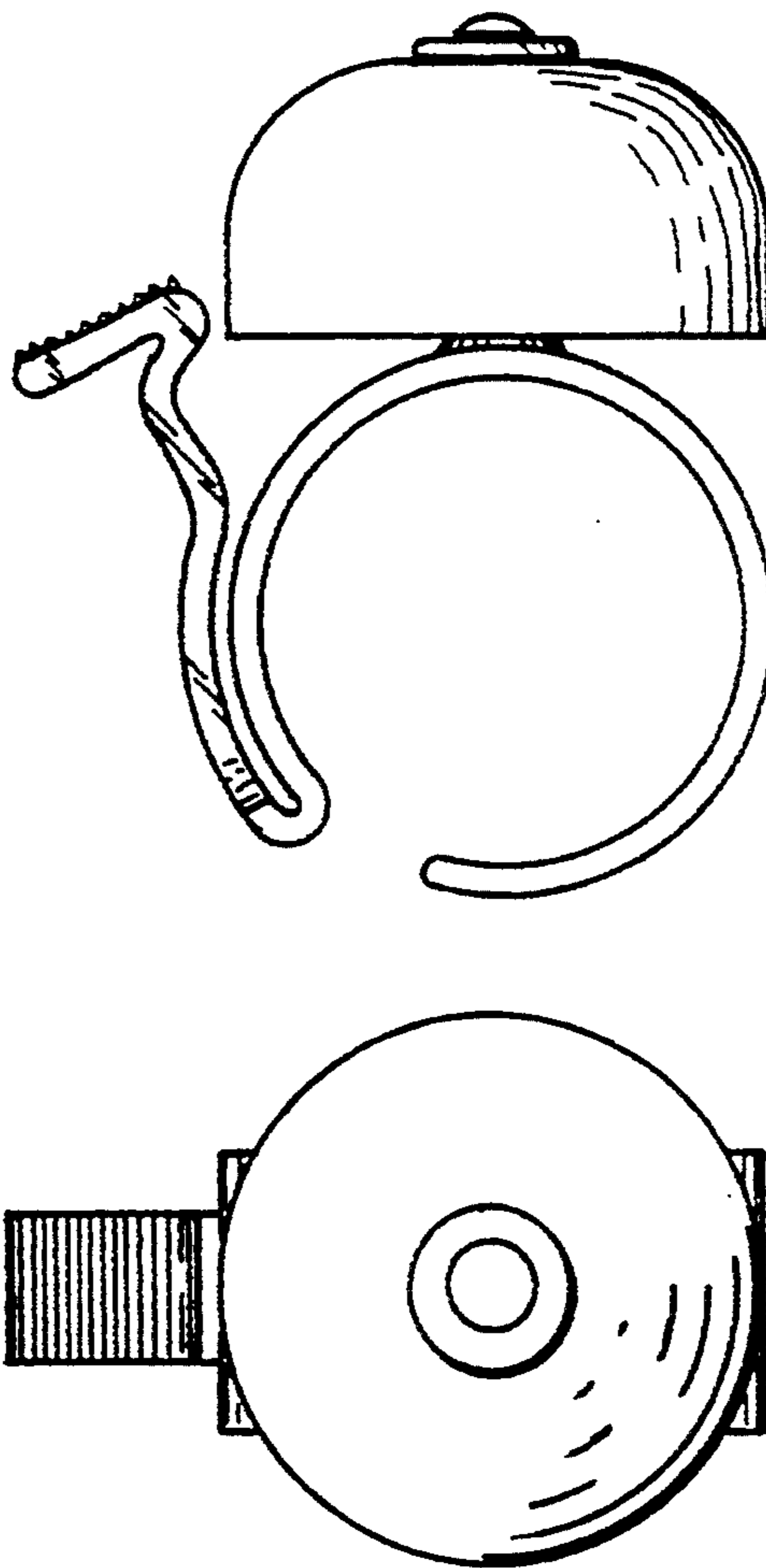
FIG. 3 is a left side elevational view thereof;

FIG. 4 is a top plan view thereof; and,

FIG. 5 is a bottom plan view thereof.

[56] **References Cited**
U.S. PATENT DOCUMENTS

D. 202,672 10/1965 Winkhaus D10/116
D. 221,600 8/1971 Anson D10/116
D. 237,952 12/1975 Tachibana D10/116
D. 293,656 1/1988 Arai D10/116
D. 316,055 4/1991 Rixen D10/120



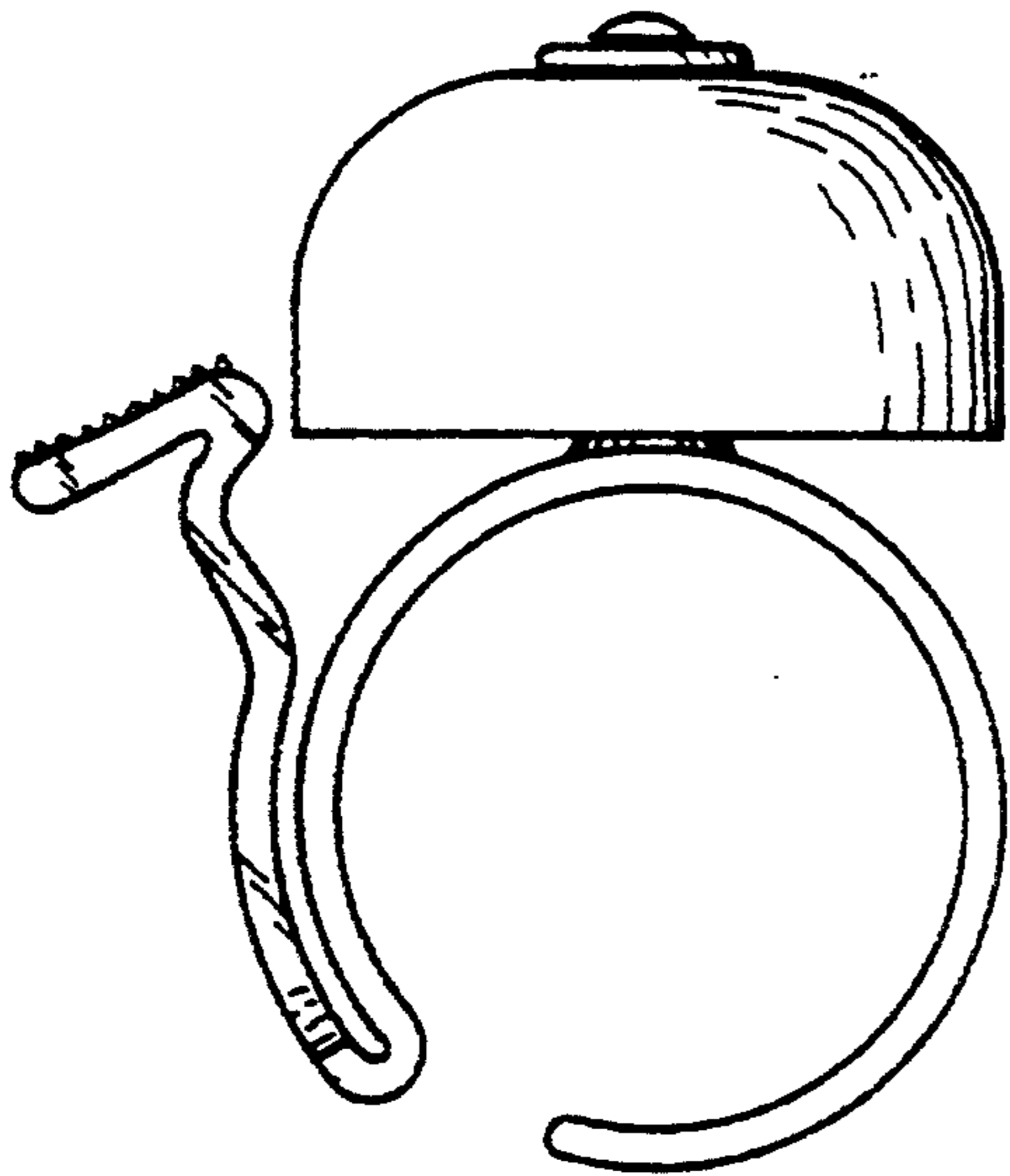


Fig. 1

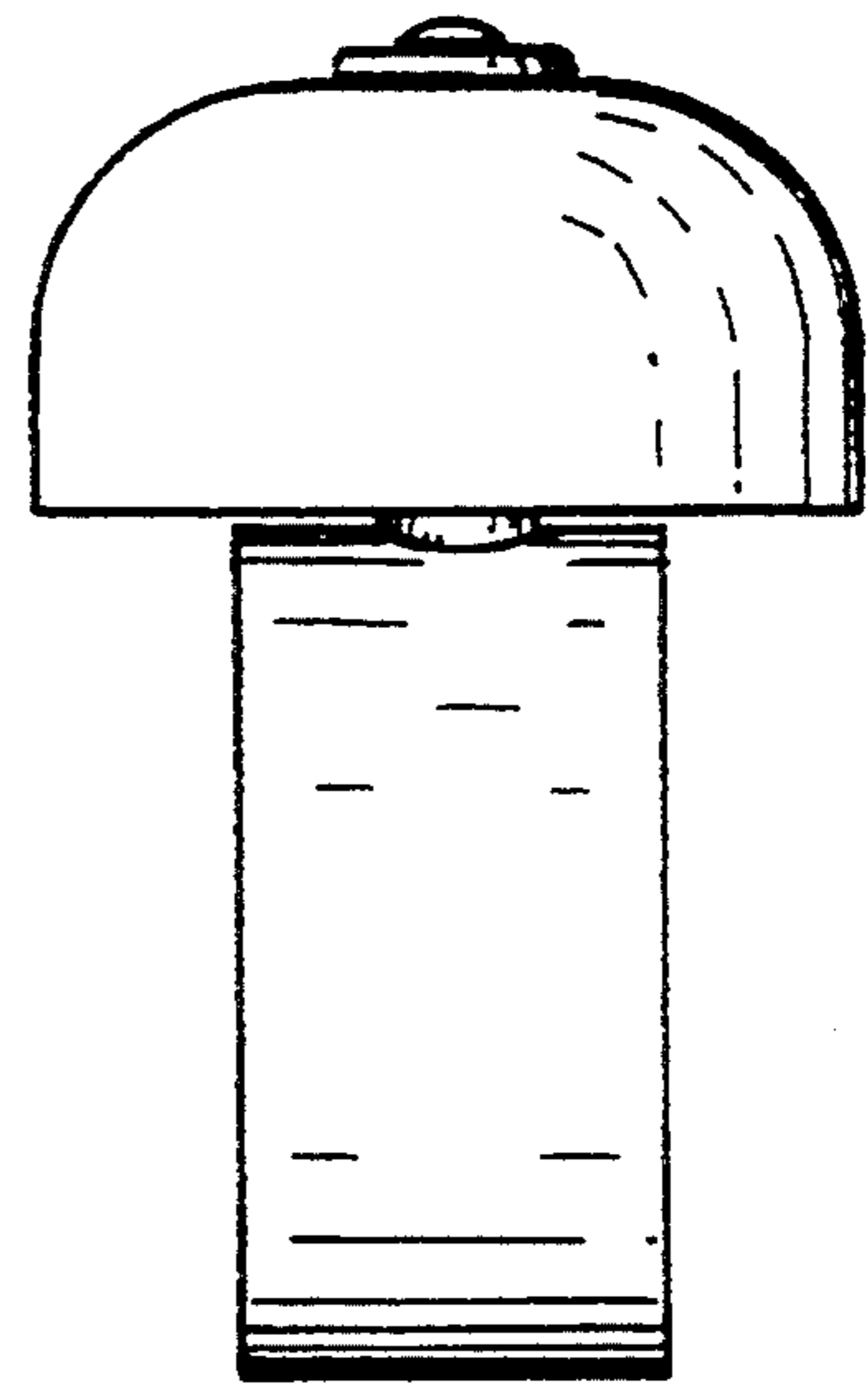


Fig. 2

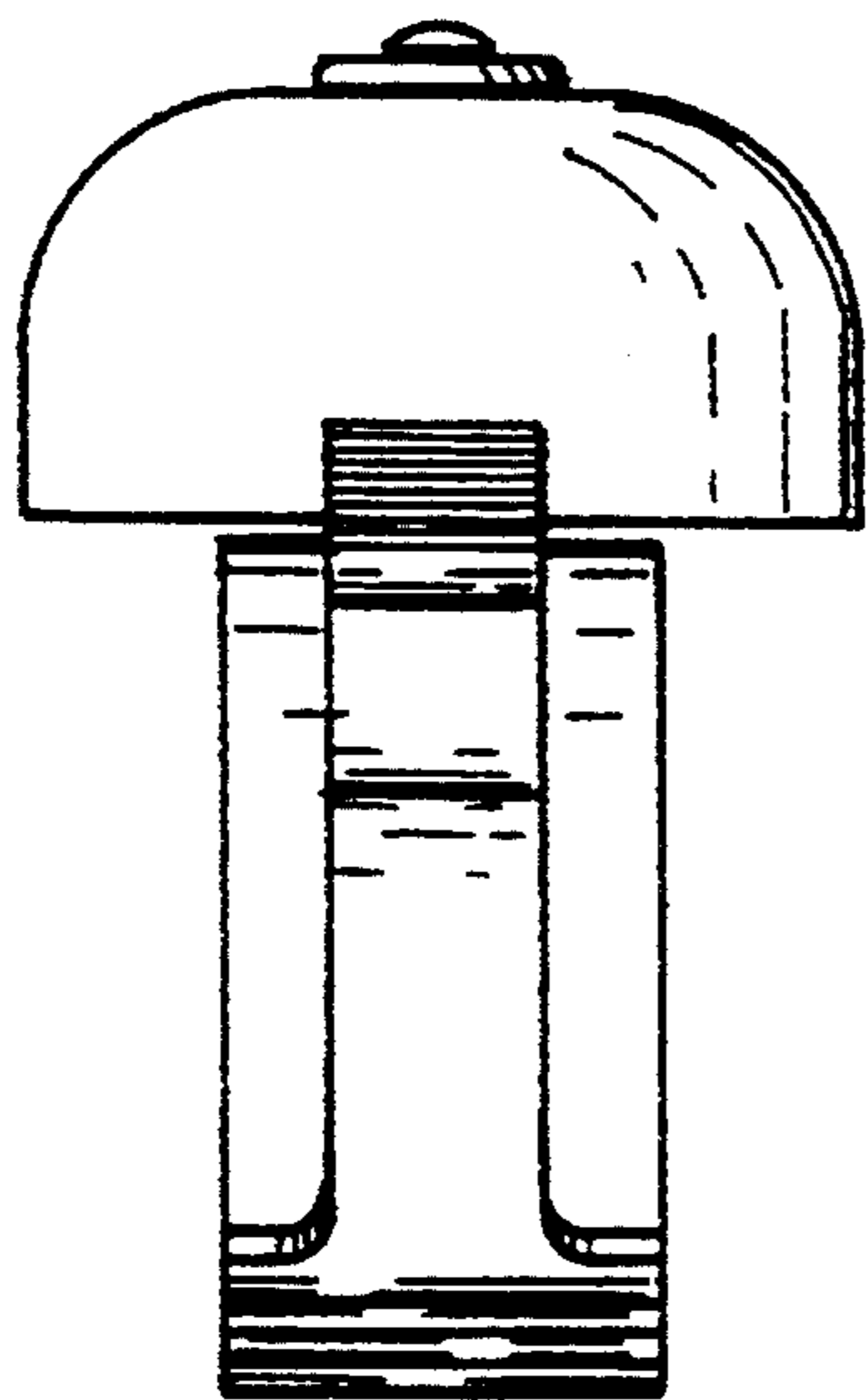


Fig. 3

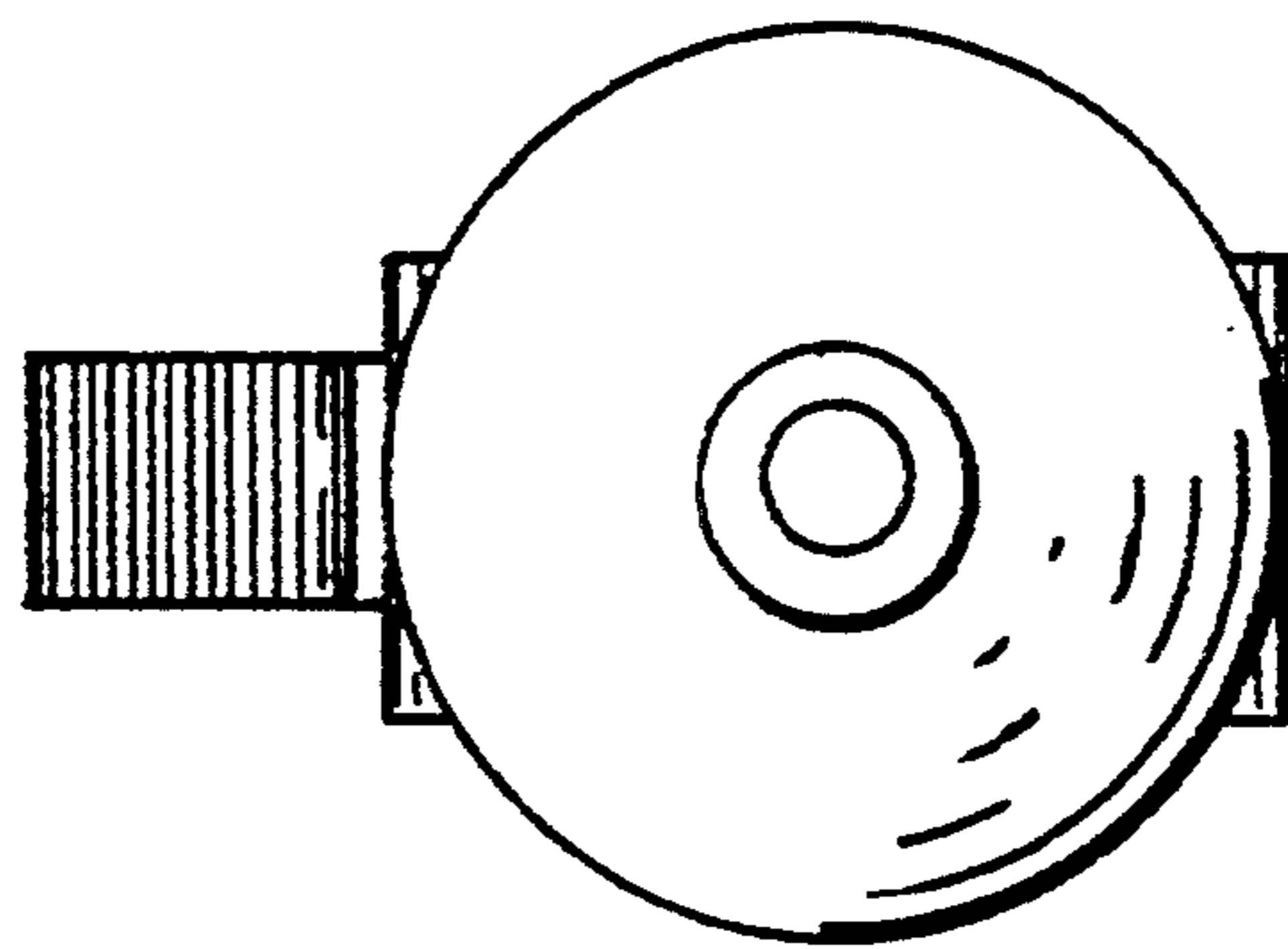


Fig. 4

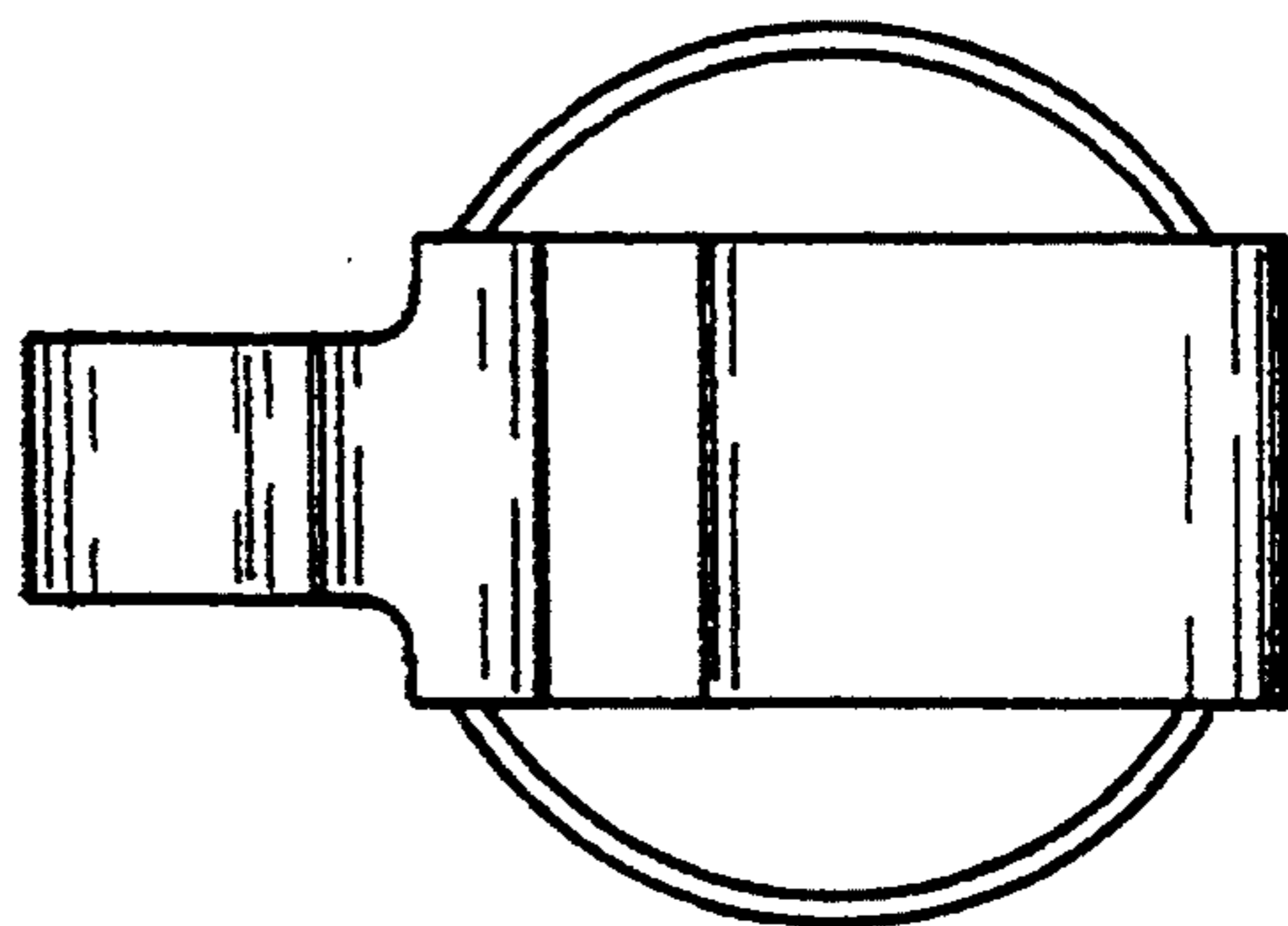


Fig. 5