



US00D360157S

United States Patent [19]

[11] Patent Number: **Des. 360,157**

Sandell et al.

[45] Date of Patent: **** Jul. 11, 1995**

- [54] **SENSOR HEAD FOR PASSIVE INFRARED MOTION DETECTOR**
- [75] Inventors: **Donald R. Sandell**, San Jose; **Gary Bordenkircher**, Livermore, both of Calif.
- [73] Assignee: **Intelectron Products Company**, Hayward, Calif.
- [**] Term: **14 Years**
- [21] Appl. No.: **22,851**
- [22] Filed: **May 13, 1994**
- [52] U.S. Cl. **D10/106**
- [58] Field of Search D10/104, 106, 116, 121; 340/521, 540, 555, 556, 557, 565, 571, 600, 628, 629; D26/28

Convenience," Product promotional literature, Tahoe Products, Inc. prior to May 1994.

"Infrared Motion Detector Models 1290 & 1291," Product promotional literature, Woods Wire Products, Inc., 1988.

"Gotcha! The Motion Activated Lighting System," Product flier, Gotcha! by LightForce prior to May 1994.

"Occupancy Sensor Lighting Controls," Product promotional literature, Leviton Mfg. Co., Inc. prior to May 1994.

"Nite-Secure Motion Sensor Light Control," Product promotional literature, Galaxy Electrical Mfg., Inc., 1992.

"Reflex Pre-assembled Motion Sensor Light Control," Product flier, Heath Zenith, Jan. 1991.

"Night Patrol Security Light," Product flier, Orient Resources, Inc. prior to May 1994.

Primary Examiner—James M. Gandy
Assistant Examiner—Marcus Jackson
Attorney, Agent, or Firm—Elliot B. Aronson

[56] References Cited

U.S. PATENT DOCUMENTS

D. 262,869	2/1982	Guscott et al.	D10/106
D. 275,658	9/1984	Kahl, Jr. et al.	D10/106
D. 309,784	8/1990	Whitley	D26/28
D. 312,053	11/1990	Jacobs et al.	D10/106
D. 339,997	10/1993	Manor, Jr. et al.	D10/104
D. 341,787	11/1993	Chan	D10/106

[57] CLAIM

The ornamental design for a sensor head for a passive infrared motion detector, as shown and described.

OTHER PUBLICATIONS

"Regent Motion Activated," Product promotional literature, Regent Lighting Corporation prior to May 1994.

"First Alert Home Safety Products," Motion Sensors section, Product promotional literature, First Alert prior to May 1994.

"First Alert Home and Office Lighting Controls, Motion Sensors," Product promotional literature, First Alert prior to May 1994.

"Products for Home Security, Home Safety, Home

DESCRIPTION

FIG. 1 is a perspective view of a sensor head for a passive infrared motion detector showing our new design;

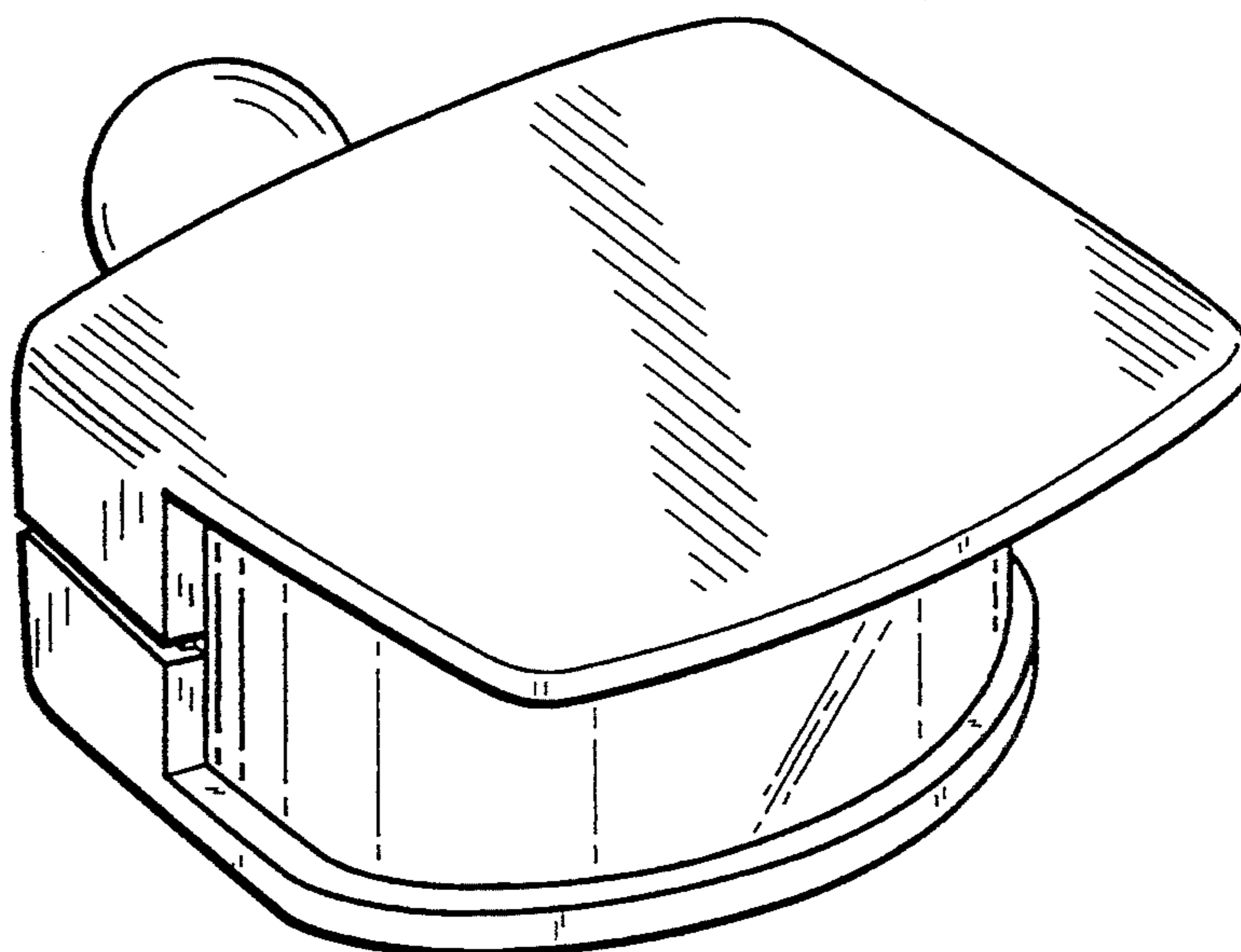
FIG. 2 is a front elevational view thereof;

FIG. 3 is a right elevational view thereof; the left elevational view is a mirror image;

FIG. 4 is a rear elevational view thereof;

FIG. 5 is a top plan view thereof; and,

FIG. 6 is a bottom plan view thereof.



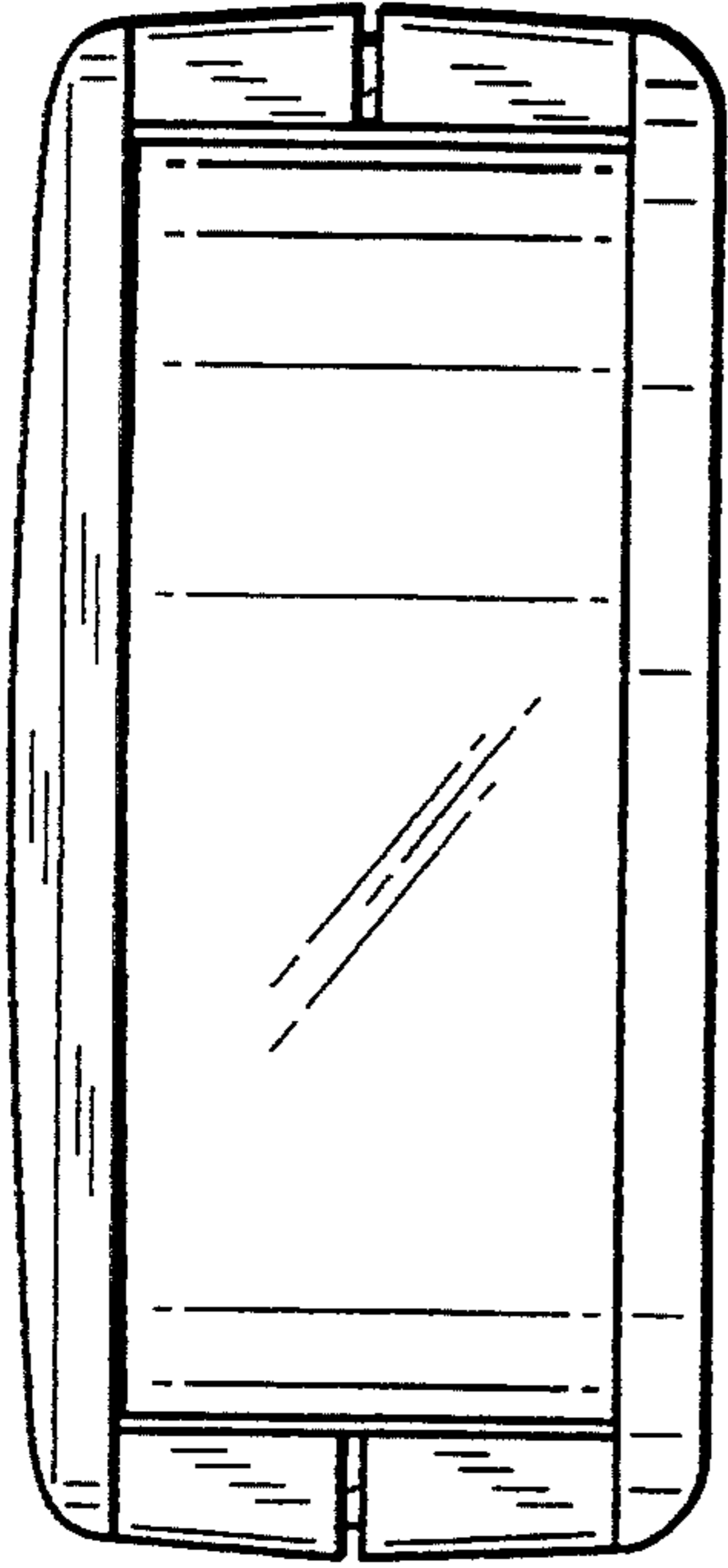


FIG.--2

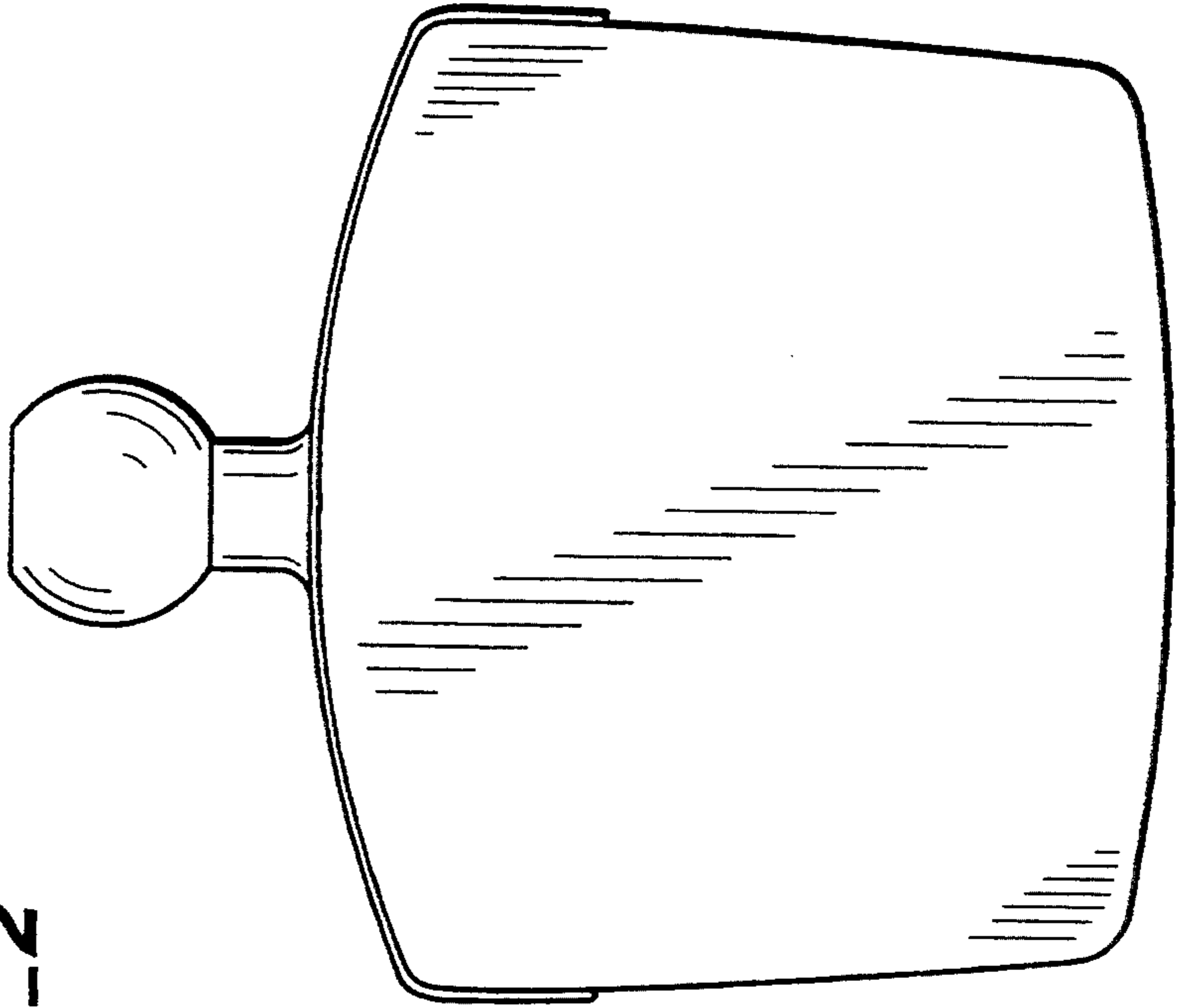


FIG.--5

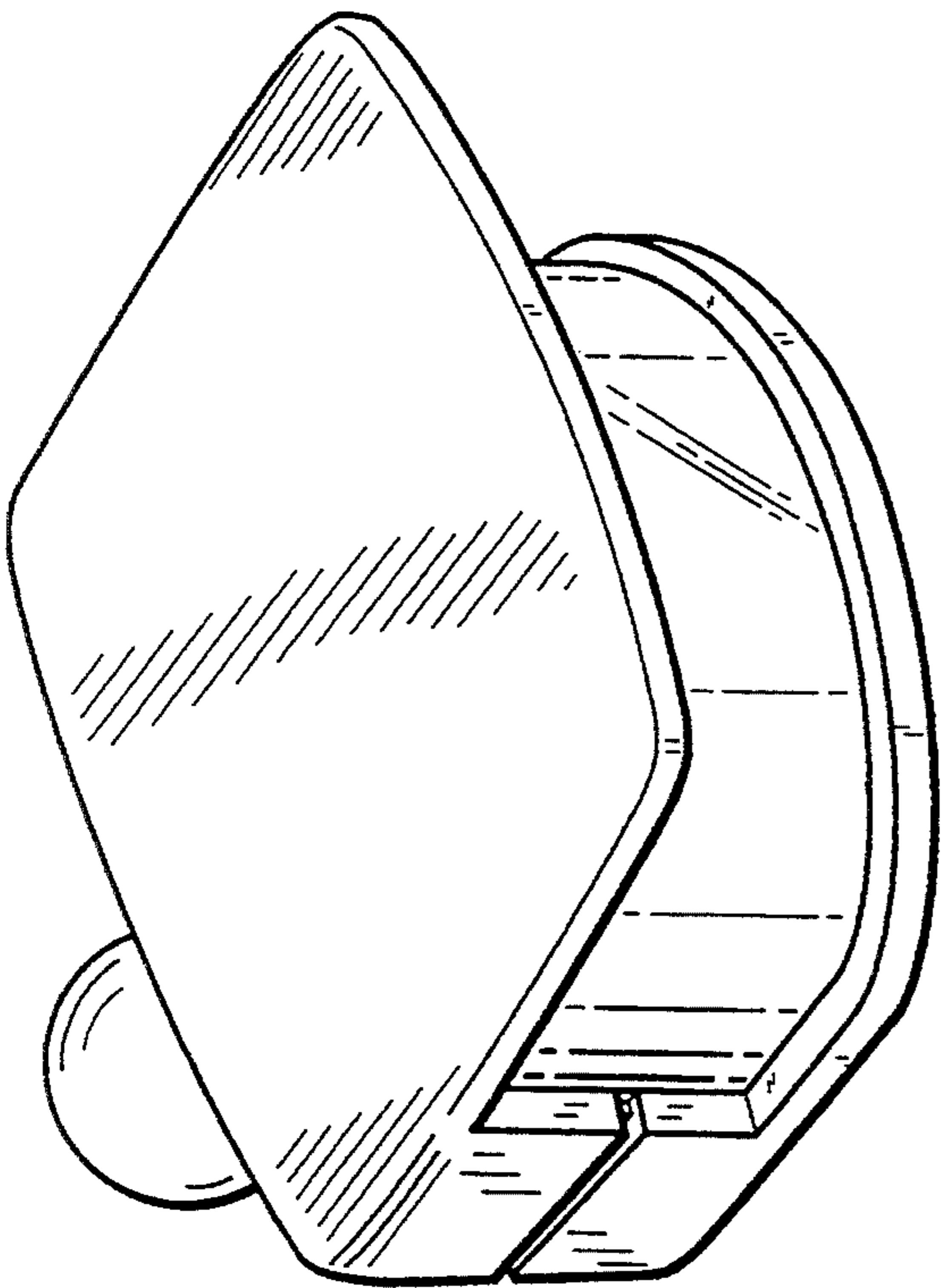


FIG.--1

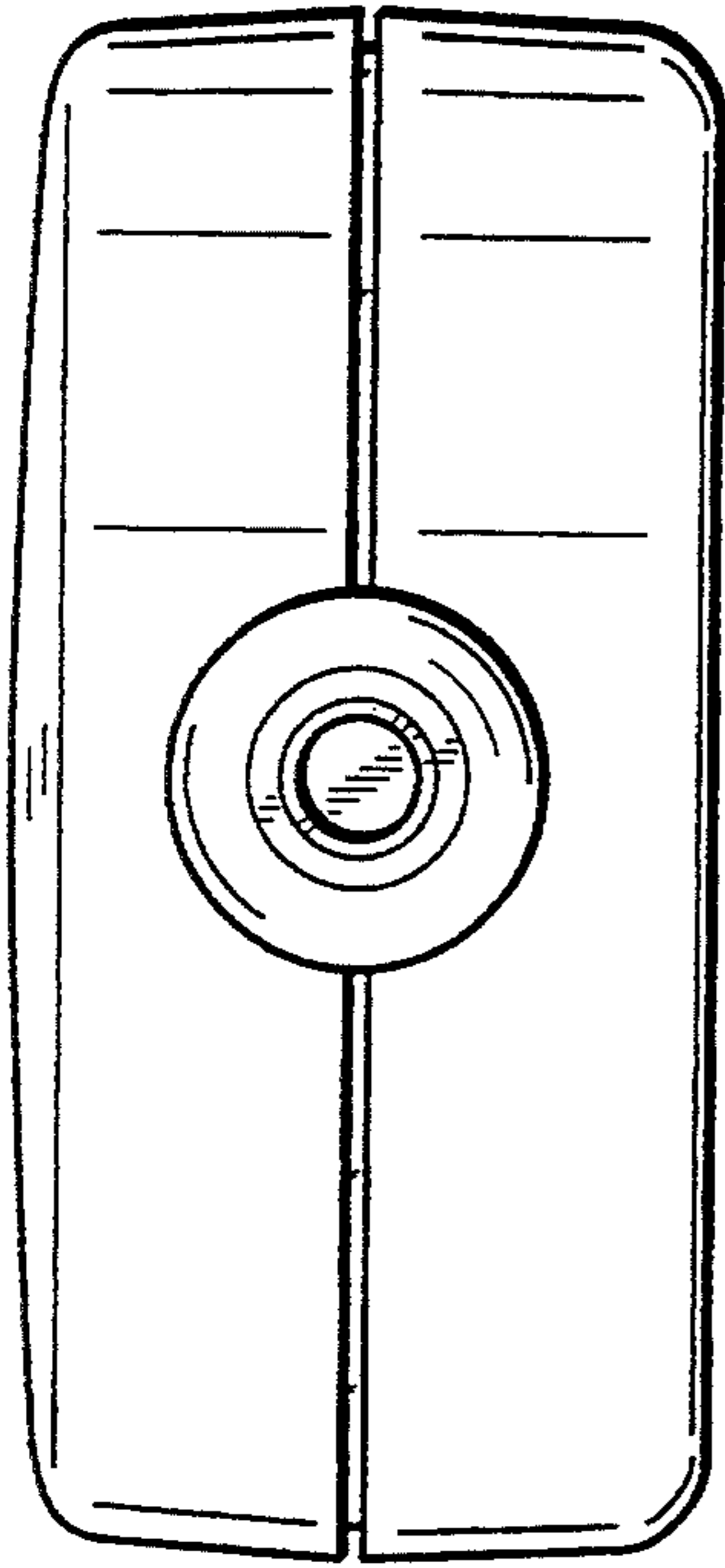


FIG. 4

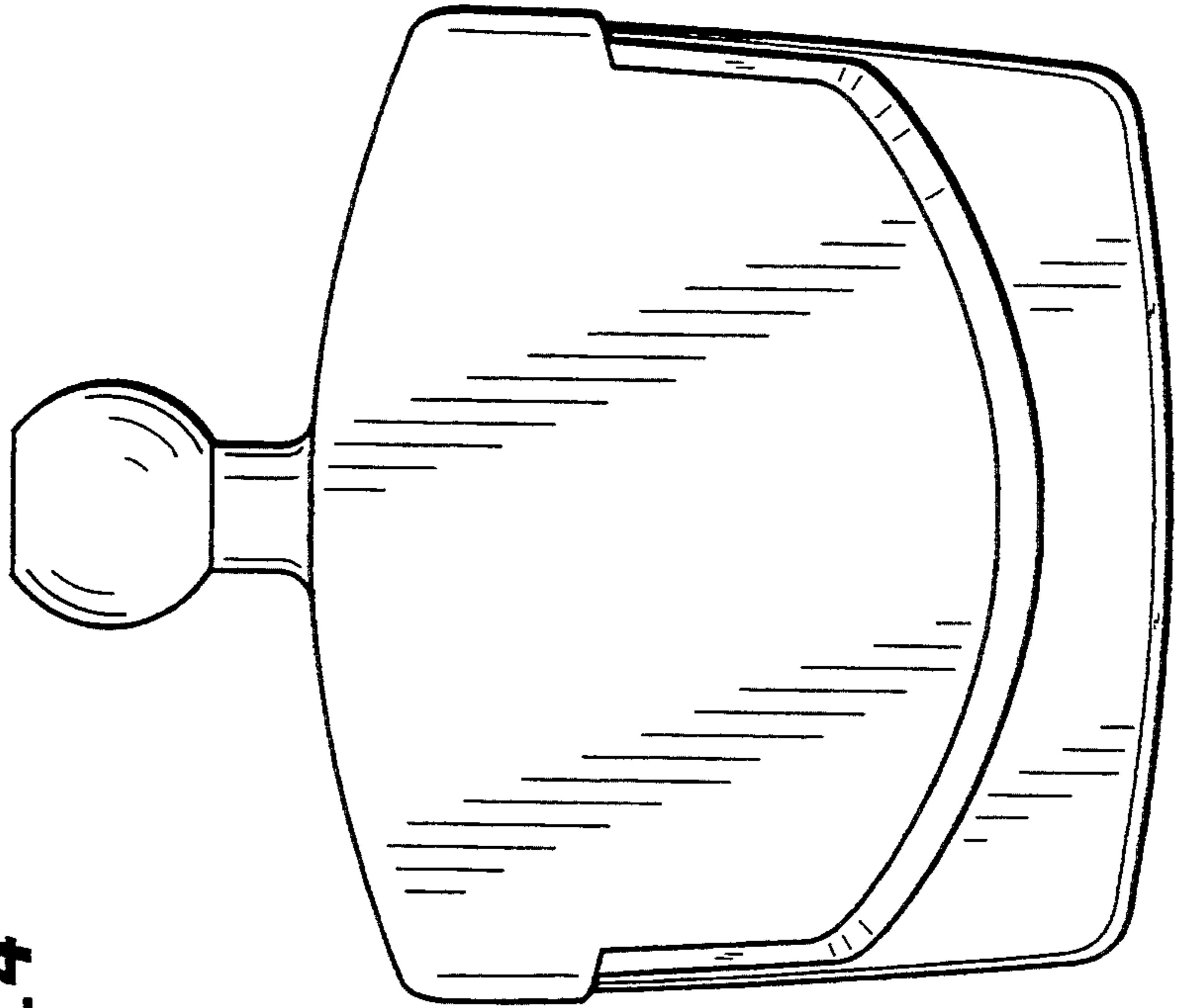


FIG. 6

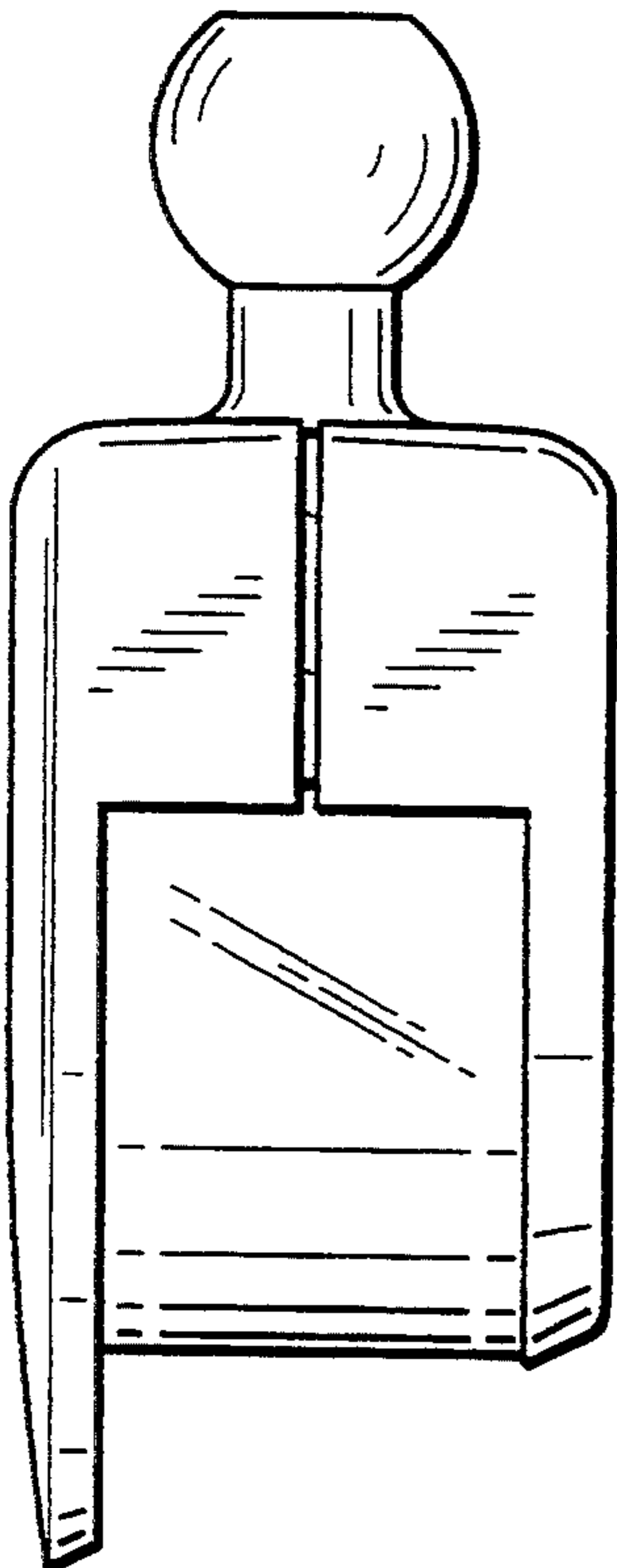


FIG. 3