



US00D360153S

United States Patent [19]

Chacchia

[11] Patent Number: **Des. 360,153**

[45] Date of Patent: **** Jul. 11, 1995**

[54] LIQUID DETECTOR

[76] Inventor: **Victor Chacchia**, 2101 Marin St.,
Carrolton, Tex. 75006

[**] Term: **14 Years**

[21] Appl. No.: **16,682**

[22] Filed: **Dec. 16, 1993**

[52] U.S. Cl. **D10/101**

[58] Field of Search D10/96-101,
D10/46; 73/40.5 R, 49.1, 49.2, 293, 299, 304 R,
328; 340/604, 605, 606, 623

4,845,472 7/1989 Gordon et al. 340/604 X
 5,091,715 2/1992 Murphy 340/604
 5,188,143 2/1993 Krebs .
 5,190,069 3/1993 Richards .
 5,199,457 4/1993 Miller .

Primary Examiner—Antoine Duval Davis
Attorney, Agent, or Firm—Terry M. Gernstein

[57] **CLAIM**

The ornamental design for a liquid detector, as shown and described.

DESCRIPTION

FIG. 1 is a front, top and side perspective view of the liquid detector embodying the design of the present invention;

FIG. 2 is an elevational view thereof, all elevational views being identical;

FIG. 3 is a top plan view thereof;

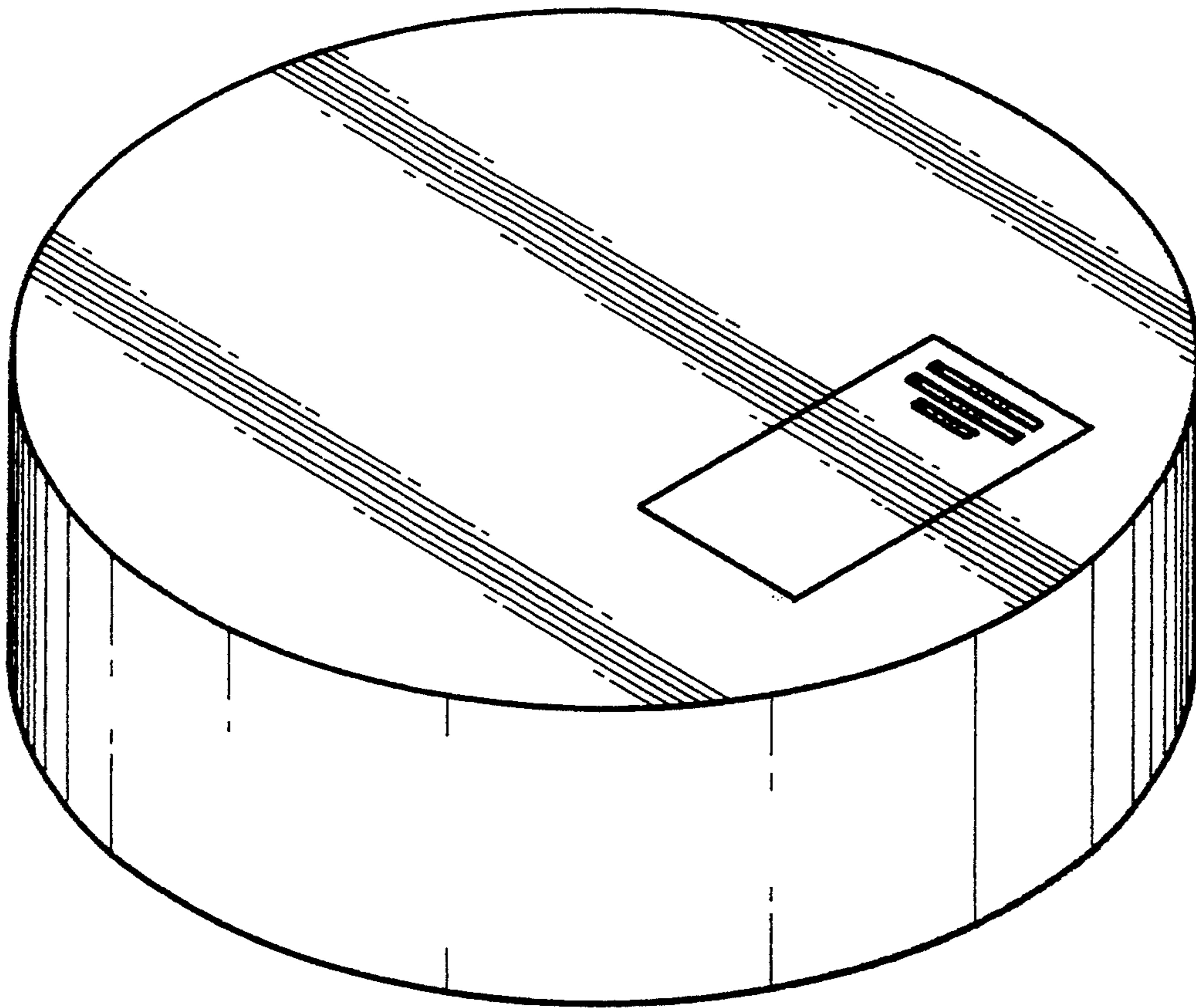
FIG. 4 is a bottom plan view thereof; and,

FIG. 5 is a bottom perspective view thereof.

[56] **References Cited**

U.S. PATENT DOCUMENTS

D. 346,125 4/1994 Cote et al. D10/65 X
 D. 348,047 6/1994 Poleshuk et al. D10/96 X
 3,719,936 3/1973 Daniels et al. 340/605 X
 3,986,110 10/1976 Overall et al. 340/604 X
 4,325,060 4/1982 Purtell et al. 340/604



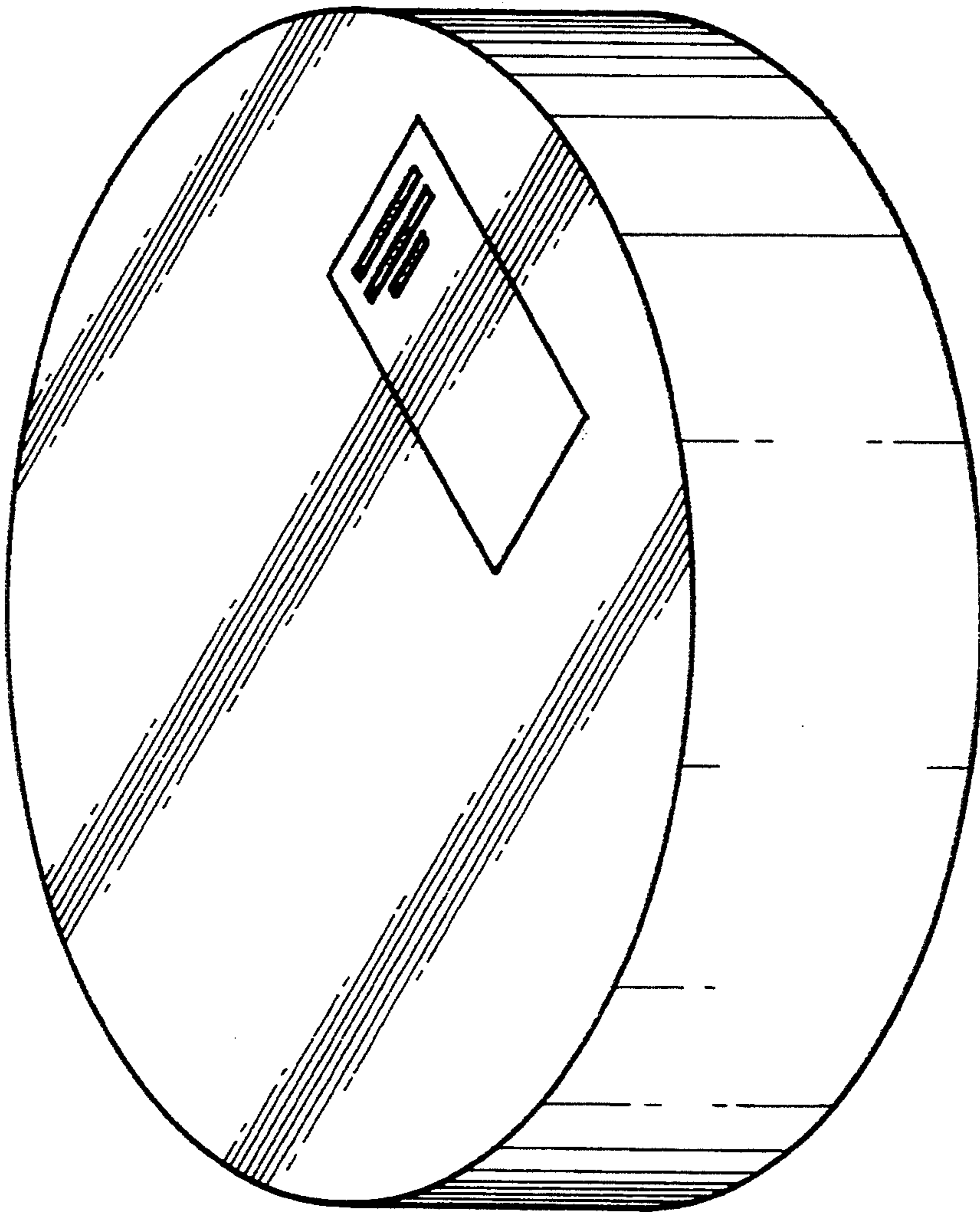


FIG. 1

FIG. 3

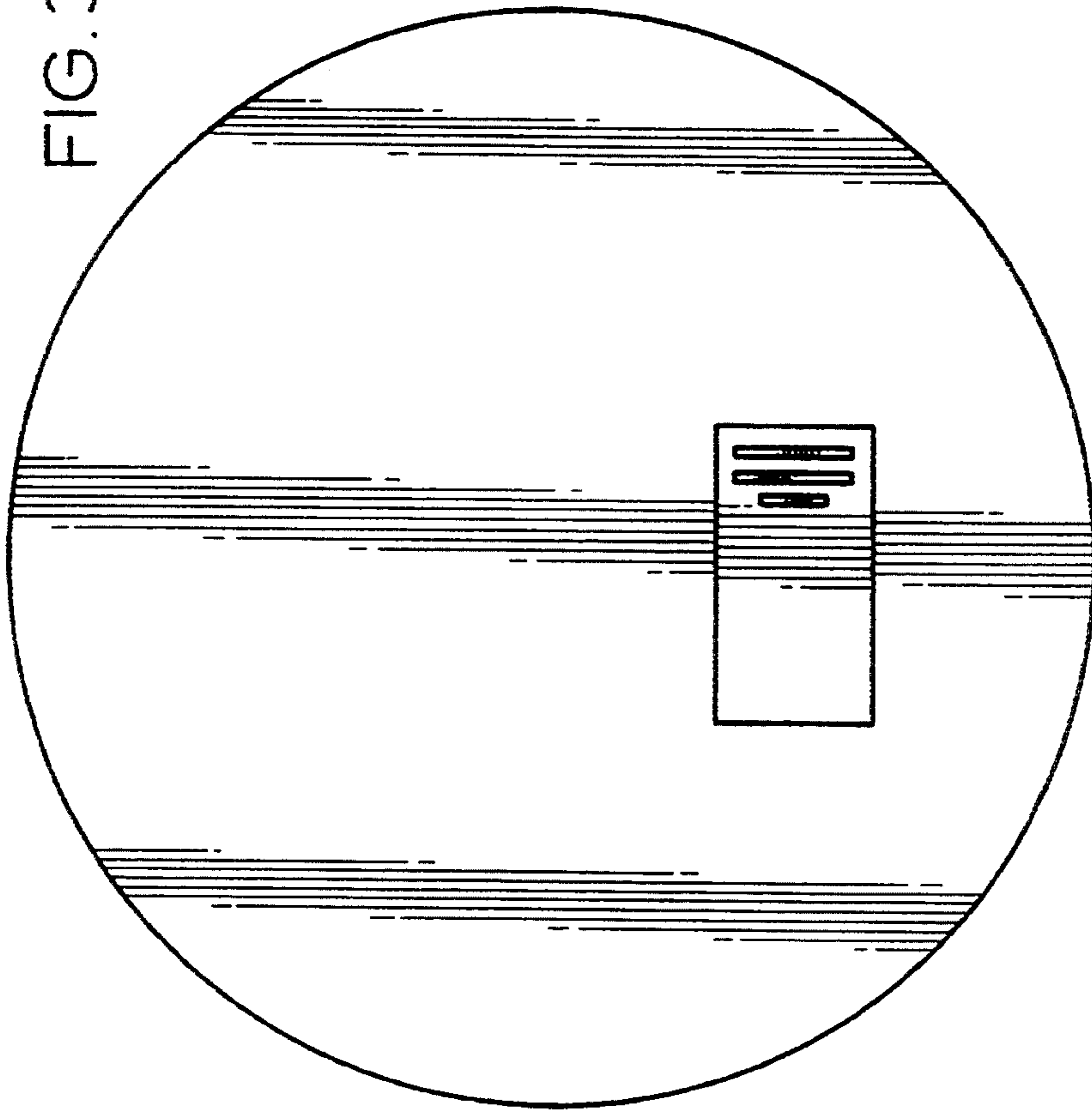


FIG. 4

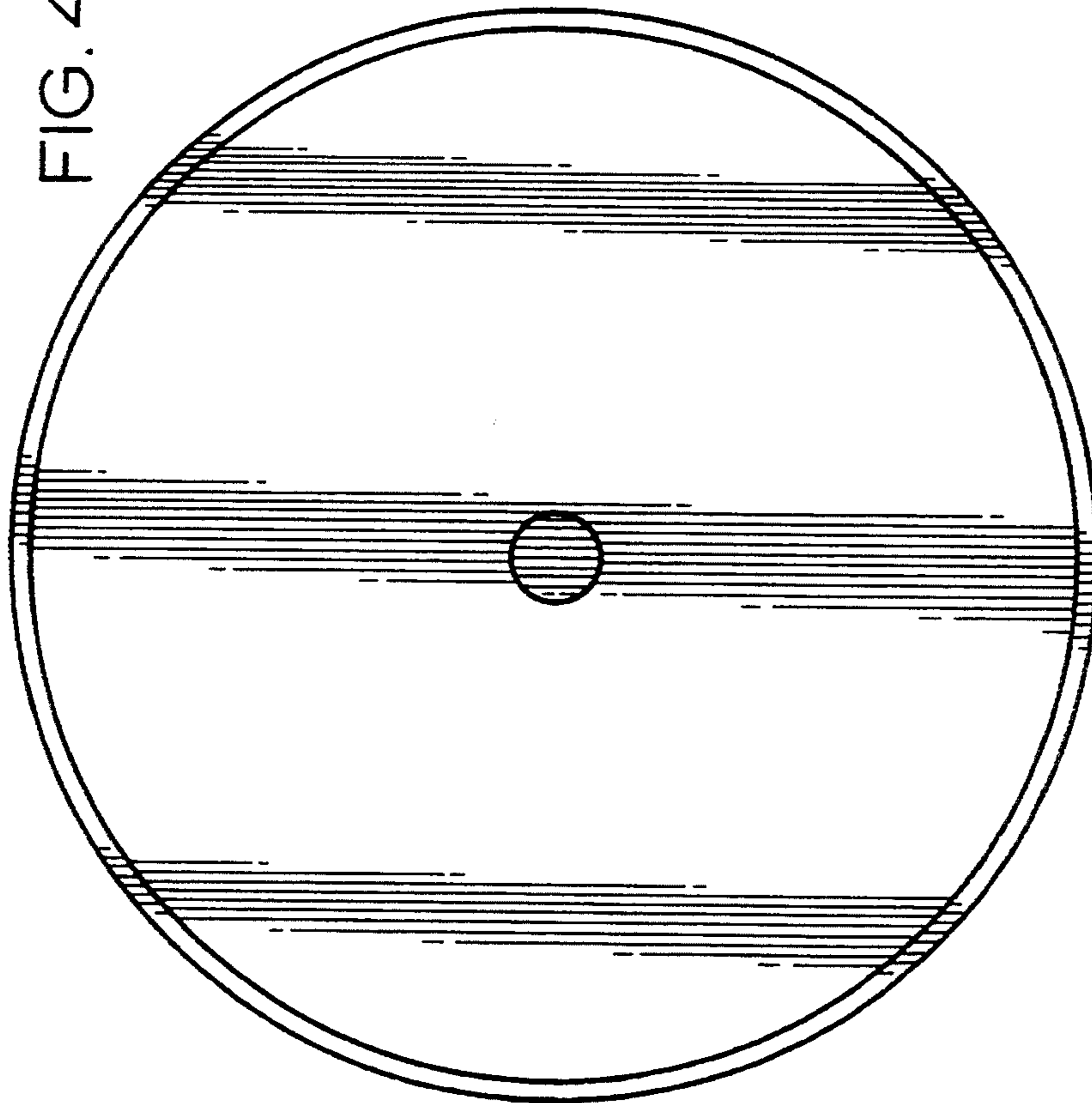
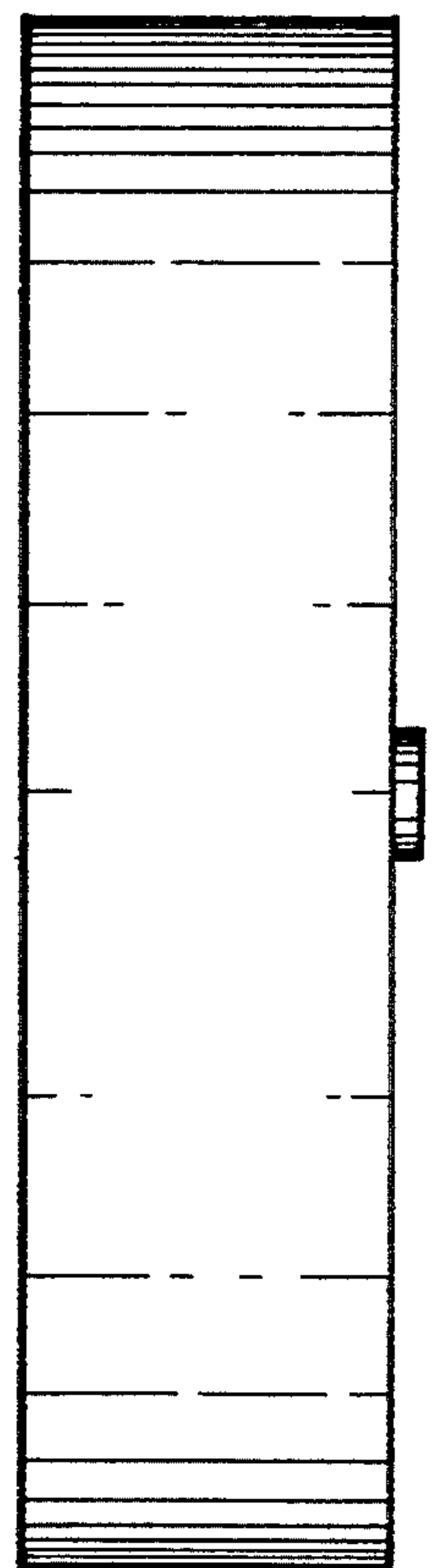


FIG. 2



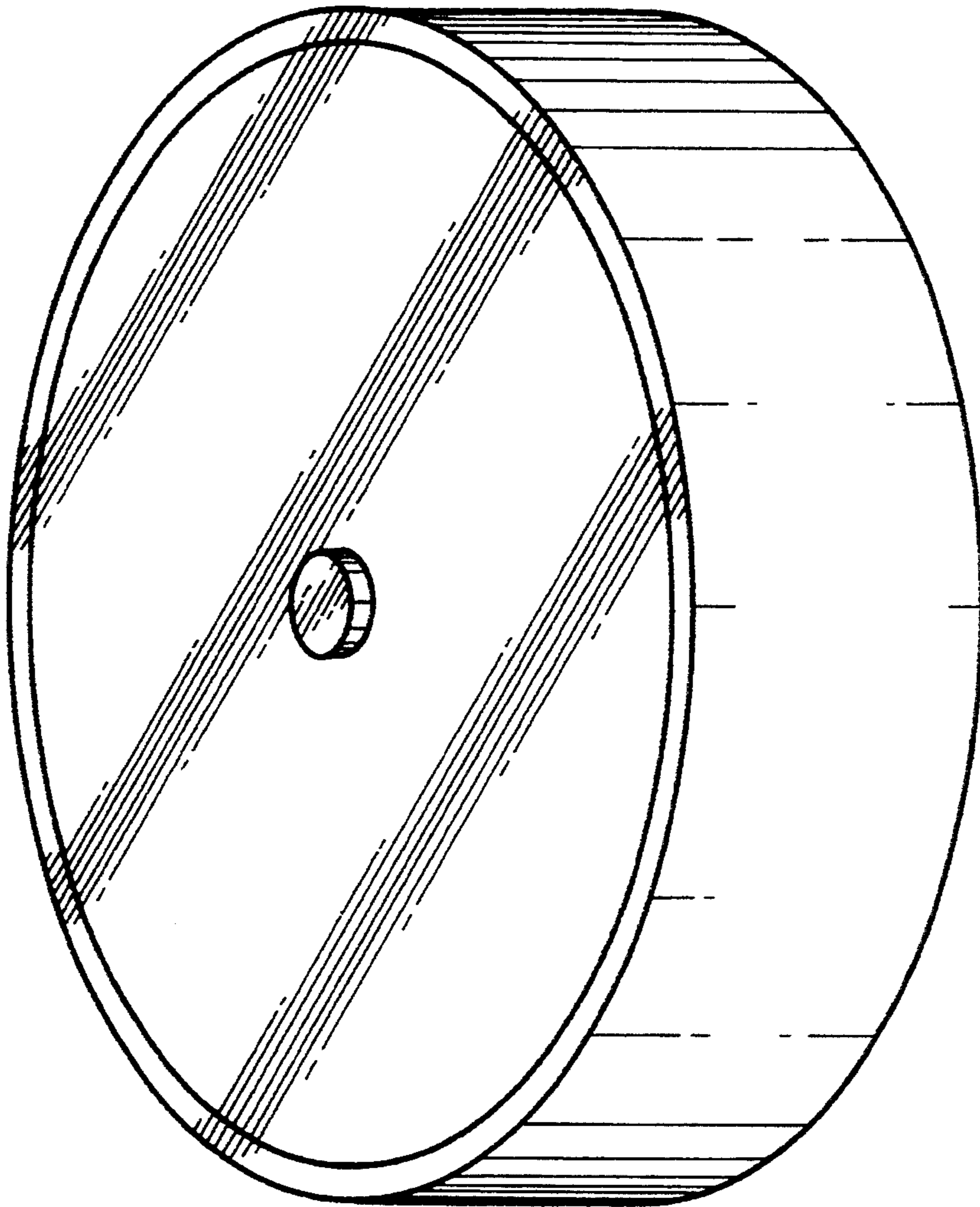


FIG. 5