



US00D360149S

United States Patent [19]
McCubbin

[11] **Patent Number: Des. 360,149**
[45] **Date of Patent: ** Jul. 11, 1995**

[54] **TOOL FOR DRAWING STRAIGHT LINES,
MEASURING LENGTHS, AND CUTTING IN
STRAIGHT LINES WITH HAND-HELD
KNIFE-LIKE IMPLEMENTS**

[76] Inventor: **Gabriel McCubbin**, 2905 Rindge La.,
Redondo Beach, Calif. 90278

[**] Term: **14 Years**

[21] Appl. No.: **23,754**

[22] Filed: **Jun. 1, 1994**

[52] U.S. Cl. **D10/71**

[58] Field of Search **D10/70, 71;**
33/483-494, 562, 563, 564

[56] **References Cited**

U.S. PATENT DOCUMENTS

- D. 31,390 8/1899 Williams D10/71
- D. 202,650 10/1965 Tucker D10/71
- D. 251,252 3/1979 Kamila D10/71 X
- D. 335,089 4/1993 Grubelnik D10/71 X

D. 345,511 3/1994 Petrohilos D10/71 X

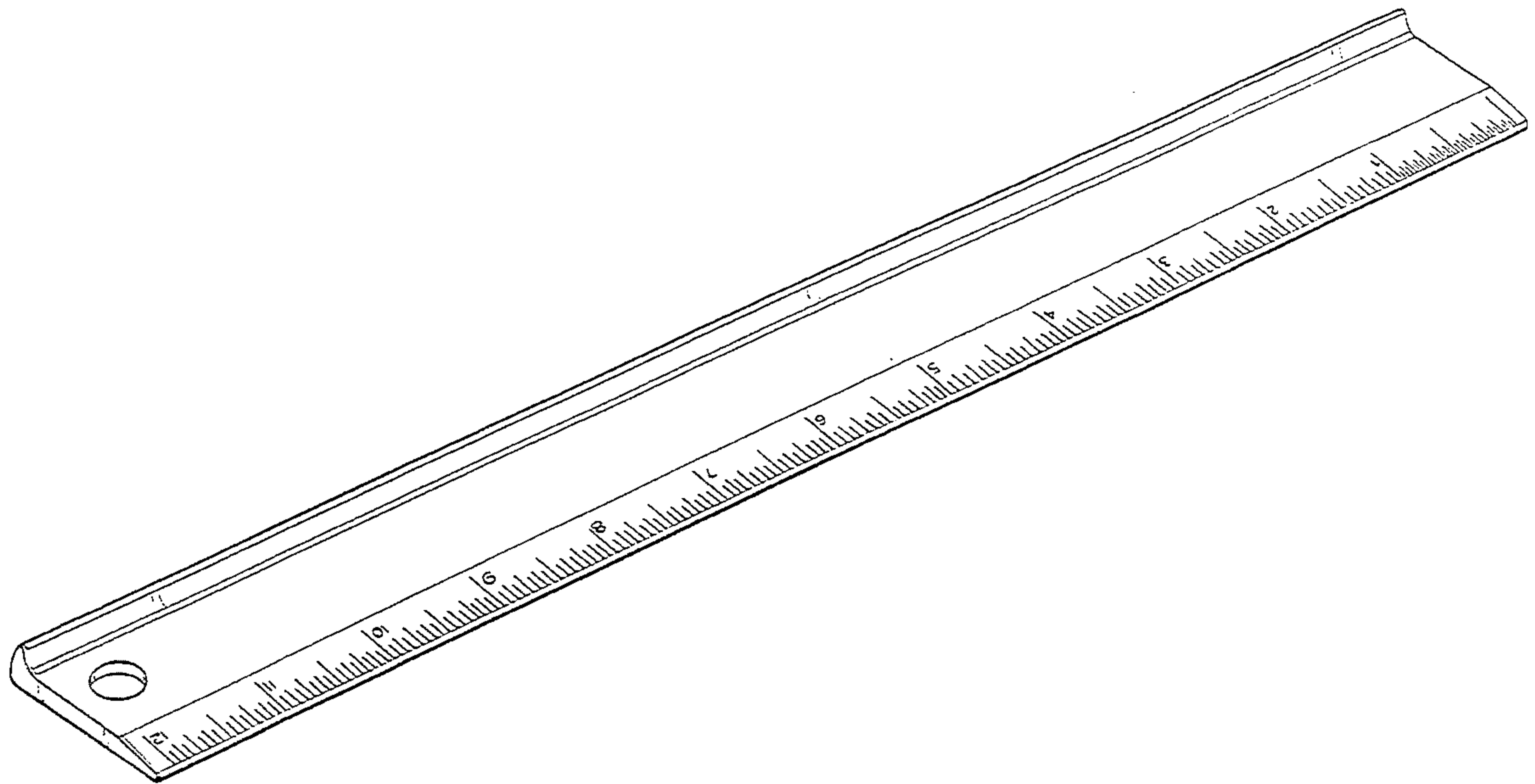
Primary Examiner—Antoine Duval Davis
Attorney, Agent, or Firm—Antonio M. Fernandez

[57] **CLAIM**

The ornamental design for a tool for drawing straight lines, measuring lengths, and cutting in straight lines with hand-held knife-like implements.

DESCRIPTION

FIG. 1 is an isometric view of my new design for a tool for drawing lines, measuring lengths, and cutting in straight lines with hand-held knife-like implements; FIG. 2 is a top plan view thereof; FIG. 3 is a left-hand end elevation view thereof; FIG. 4 is a right-hand end elevation view thereof; FIG. 5 is a bottom plane view thereof; FIG. 6 is a back side view thereof; FIG. 7 is a front side elevation view; and, FIG. 8 is an end elevation view enlarged for clarity of the profile of the back side shown in FIG. 6 and the front side shown in FIG. 7.



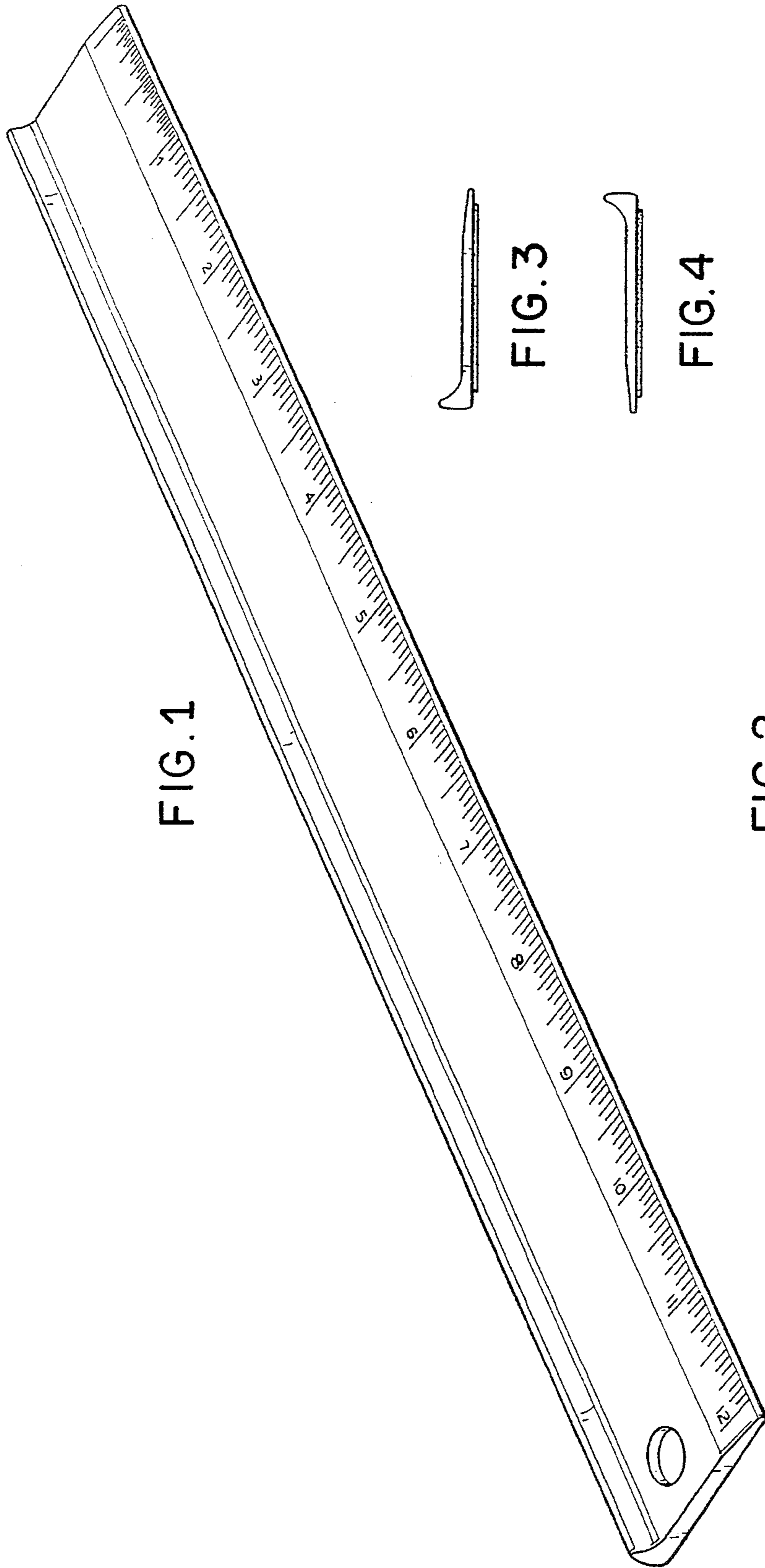


FIG. 1



FIG. 3



FIG. 4

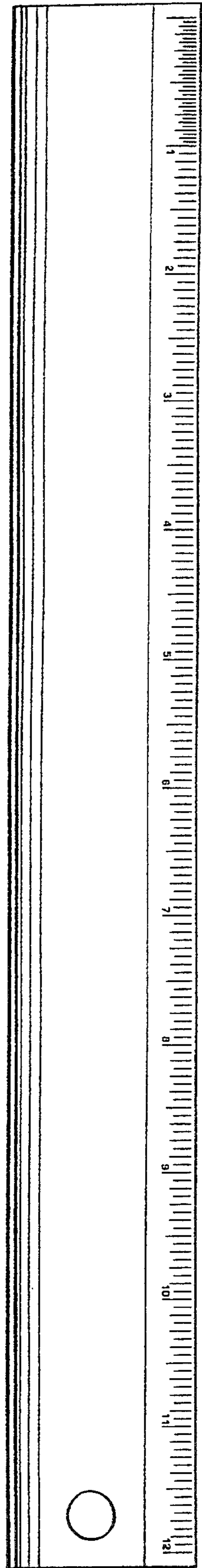


FIG. 2

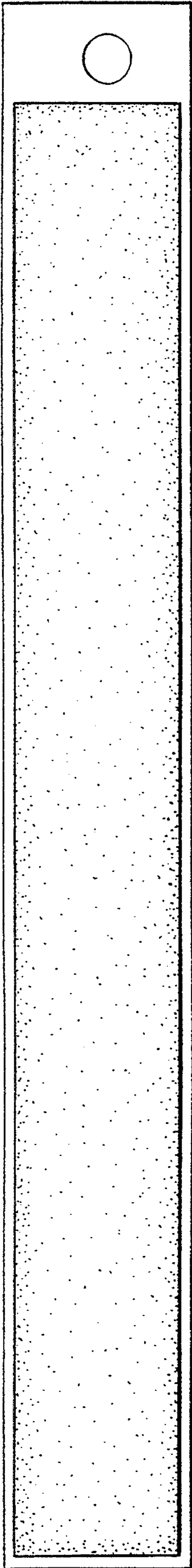


FIG. 5



FIG. 6



FIG. 7



FIG. 8