



US00D360148S

# United States Patent [19]

[11] Patent Number: **Des. 360,148**

Suh

[45] Date of Patent: **\*\* Jul. 11, 1995**

[54] MEASURING DEVICE FOR A FIGURE

[76] Inventor: **Jae-Hwan Suh**, No.1082-3 Eun Haeng-2 Dong, Chung Won-Gu, Songnam, Rep. of Korea

[\*\*] Term: **14 Years**

[21] Appl. No.: **23,877**

[22] Filed: **Jun. 2, 1994**

[52] U.S. Cl. .... **D10/63**

[58] Field of Search ..... D10/46, 61, 63, 74; 33/1 C, 121, 122, 123, 124, 503

[56] **References Cited**

**U.S. PATENT DOCUMENTS**

4,617,740	10/1986	Mikio .	
4,676,002	6/1987	Slocum .....	33/503 X
4,961,267	10/1990	Herzog .....	33/503
5,148,377	9/1992	McDonald .....	33/503 X
5,152,070	10/1992	Sorokes .....	33/503 X

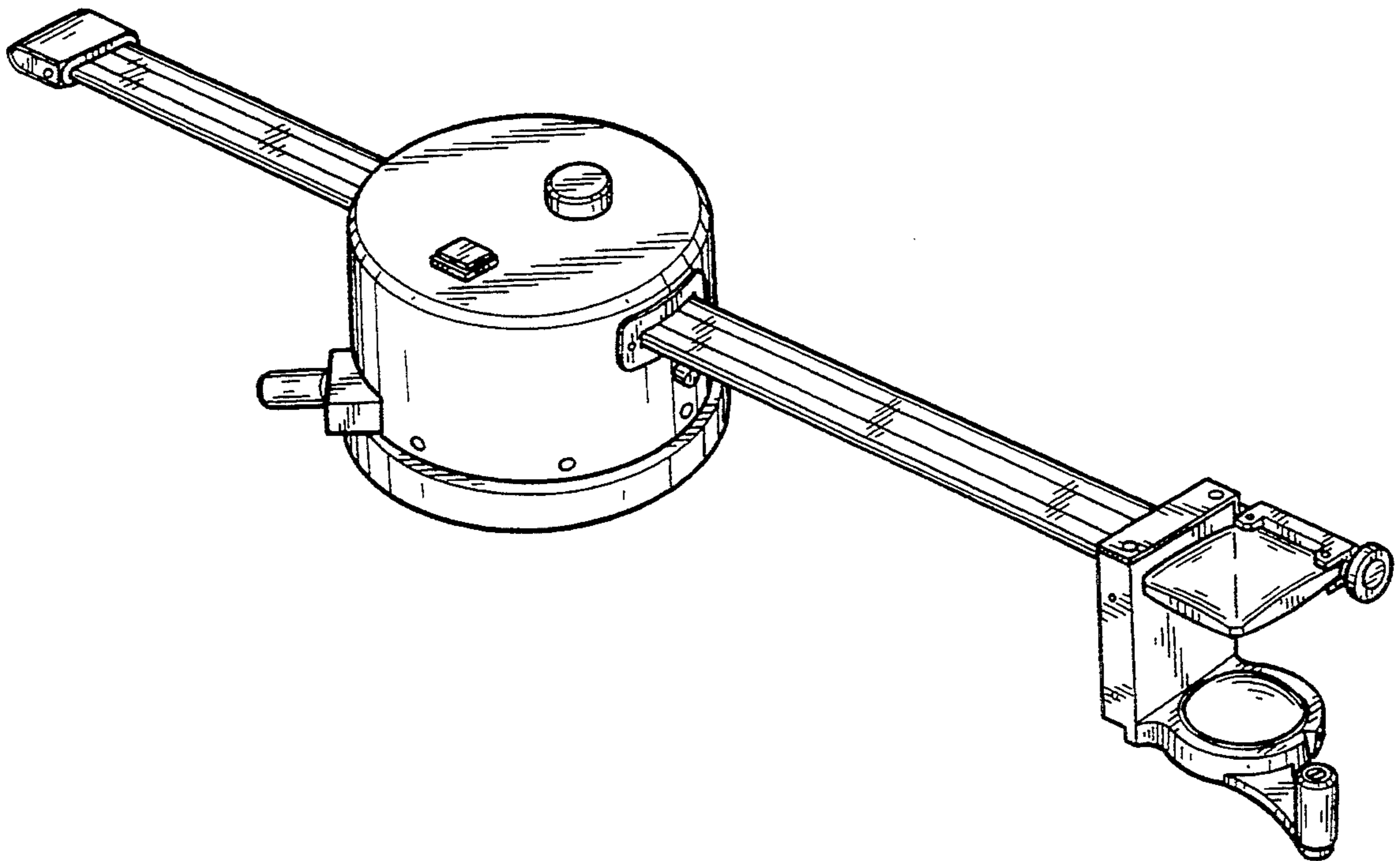
*Primary Examiner*—Antoine Duval Davis  
*Attorney, Agent, or Firm*—Ladas & Parry

[57] **CLAIM**

The ornamental design for a measuring device for a figure, as shown and described.

**DESCRIPTION**

FIG. 1 is a perspective view of a measuring device for a figure showing my new design; FIG. 2 is a plane view thereof; FIG. 3 is a front view thereof; FIG. 4 is a bottom view thereof; FIG. 5 is a back view thereof; FIG. 6 is a right side view thereof; FIG. 7 is a left side view thereof; FIG. 8 depicts various positional views thereof; and, FIG. 9 is a perspective view, the broken line showing of a computer, electrical cord and a partial table are for illustrative purposes only and forms no part of the claimed design.



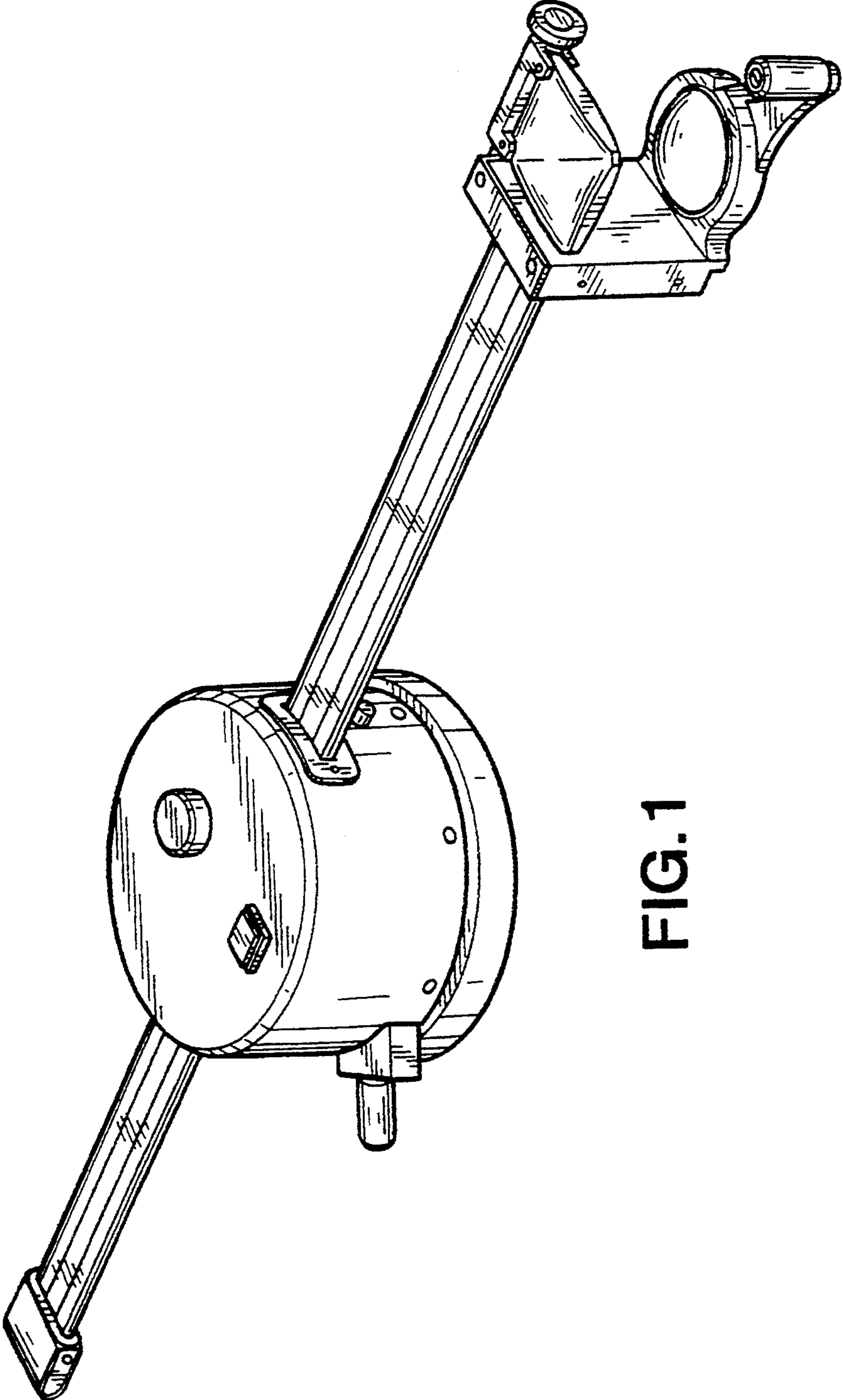
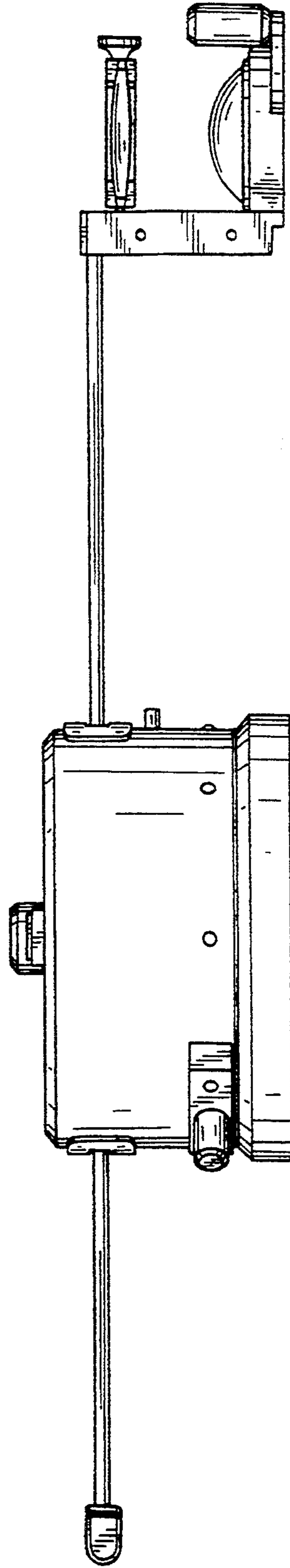
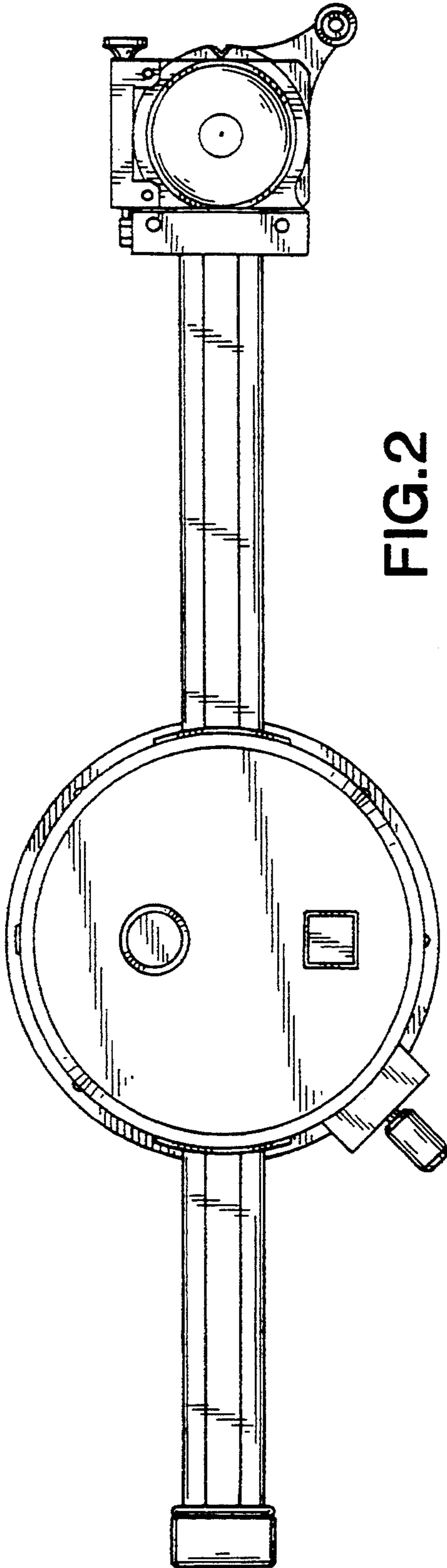
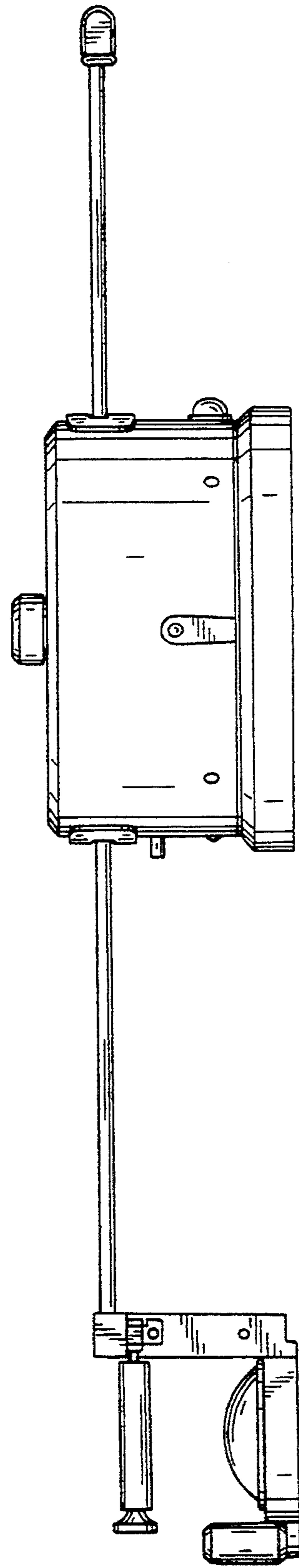
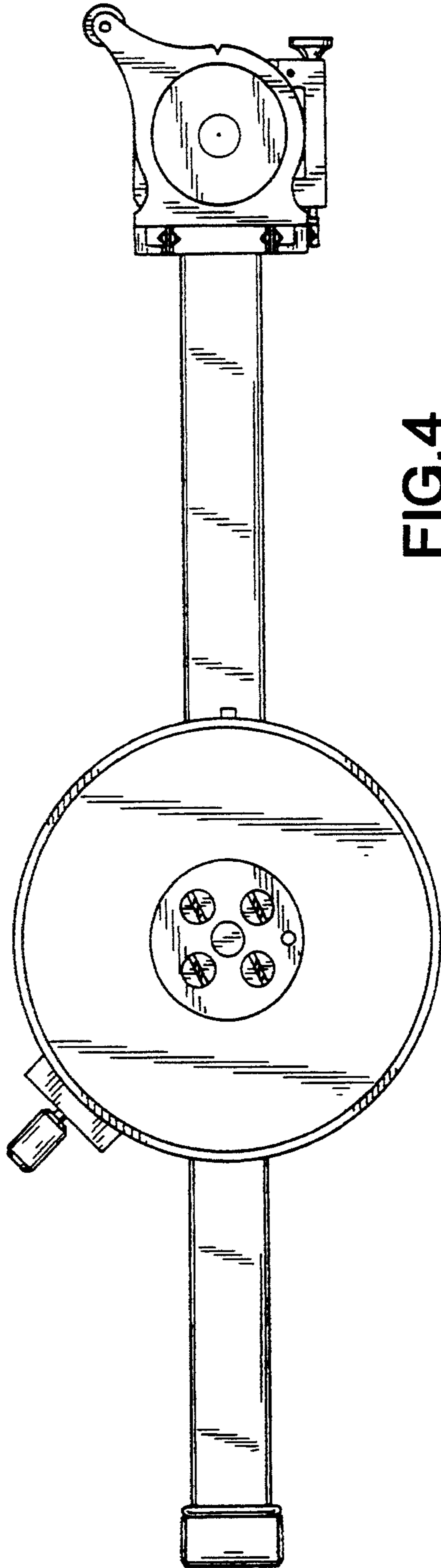


FIG. 1





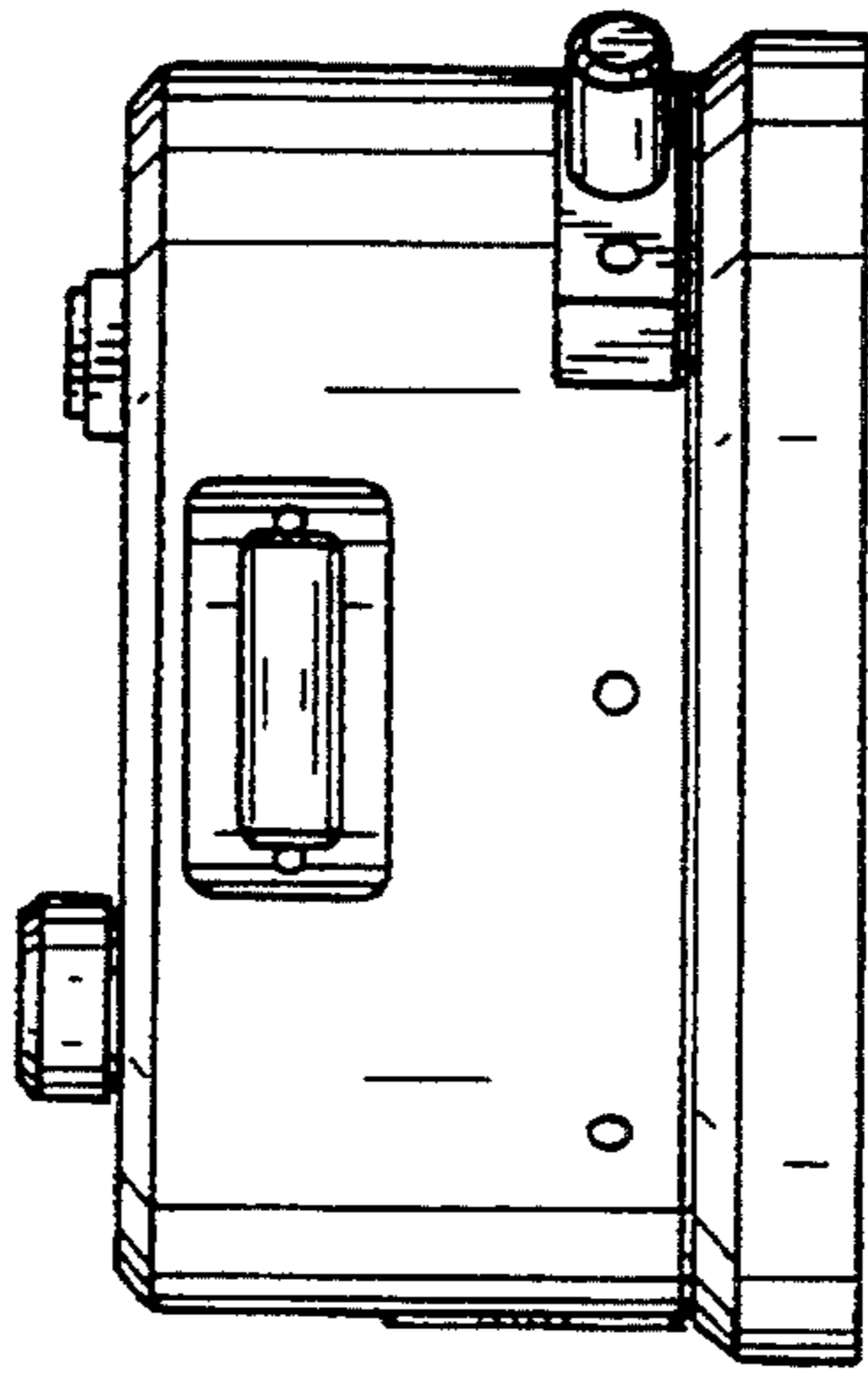


FIG. 7

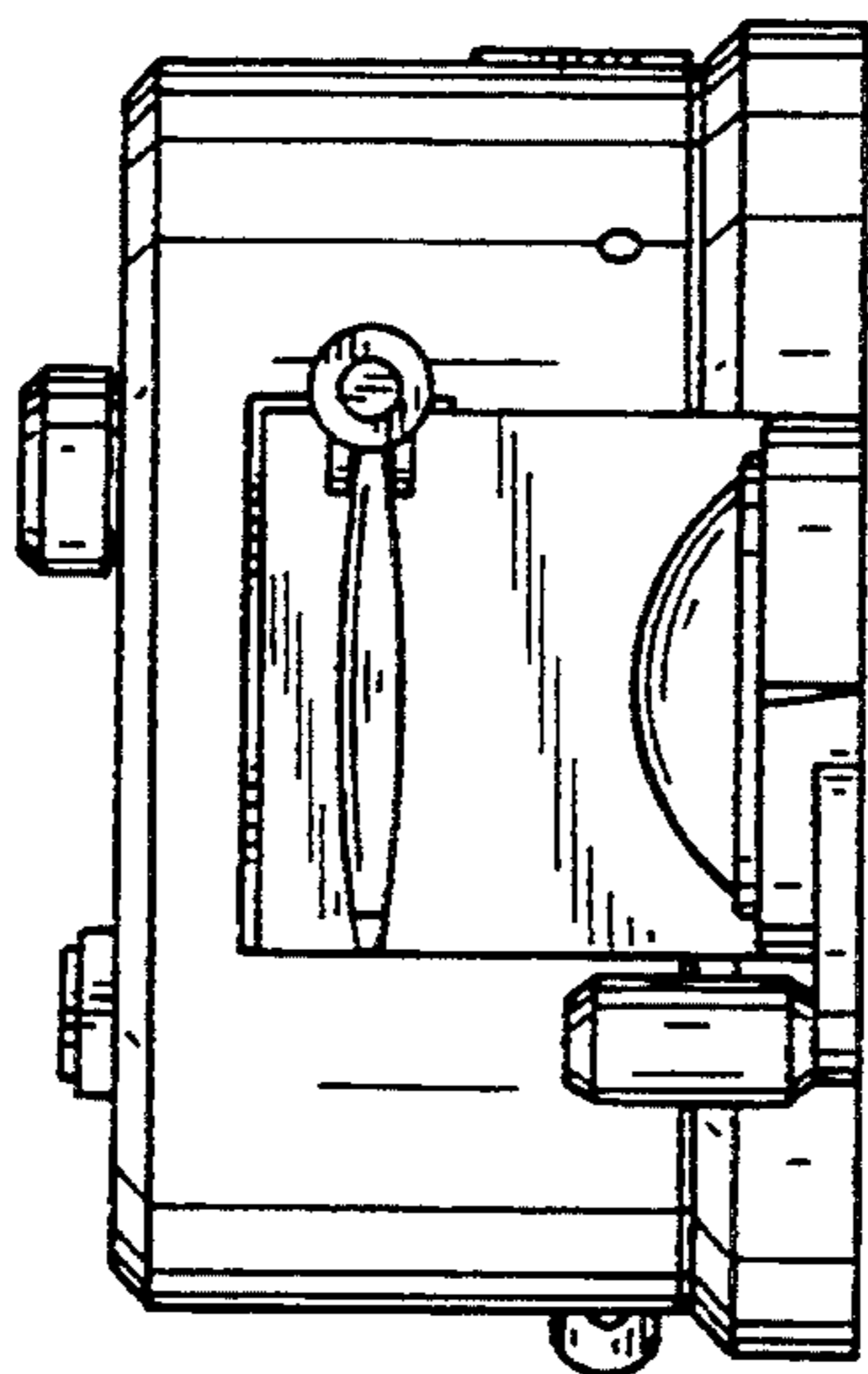


FIG. 6

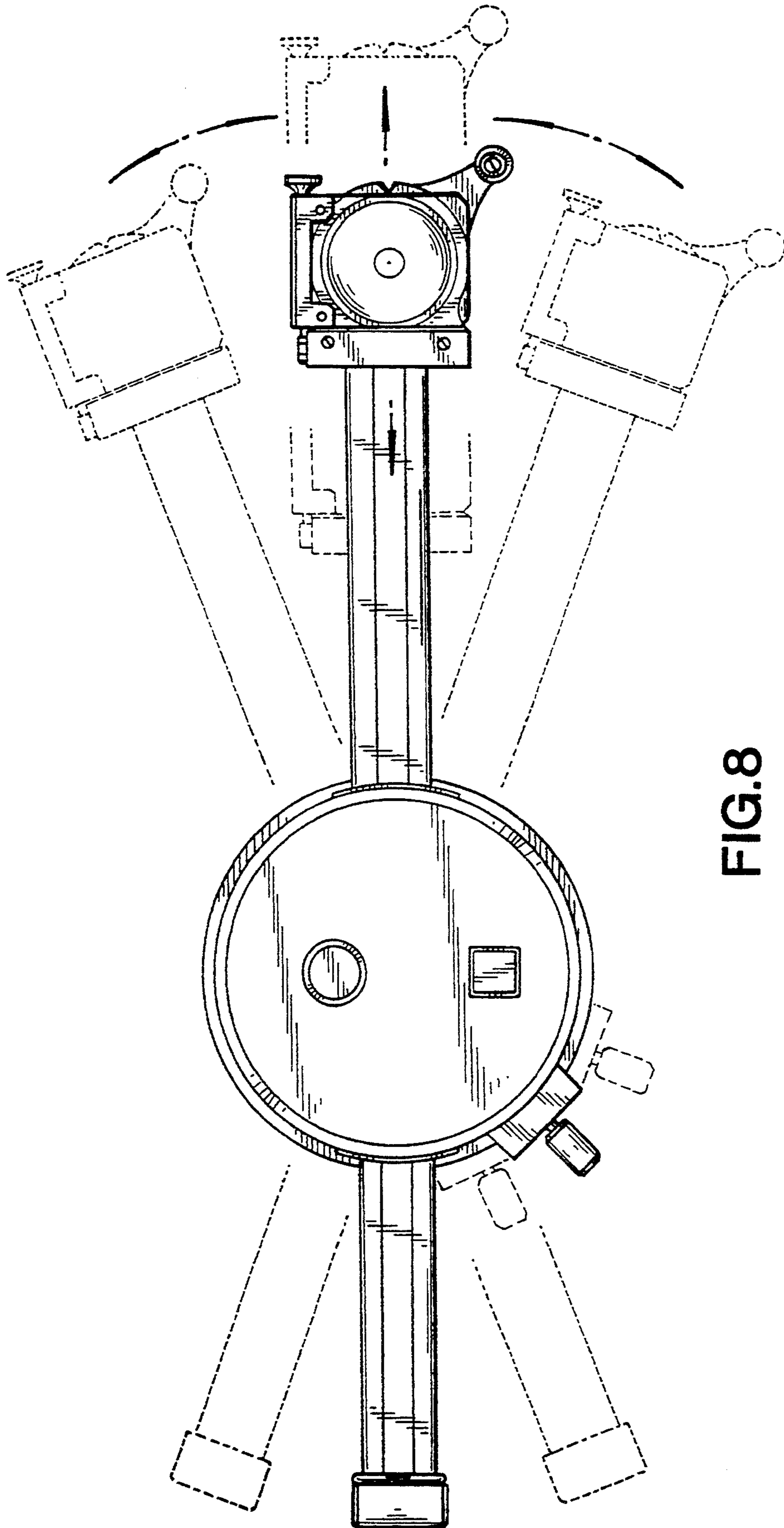


FIG. 8

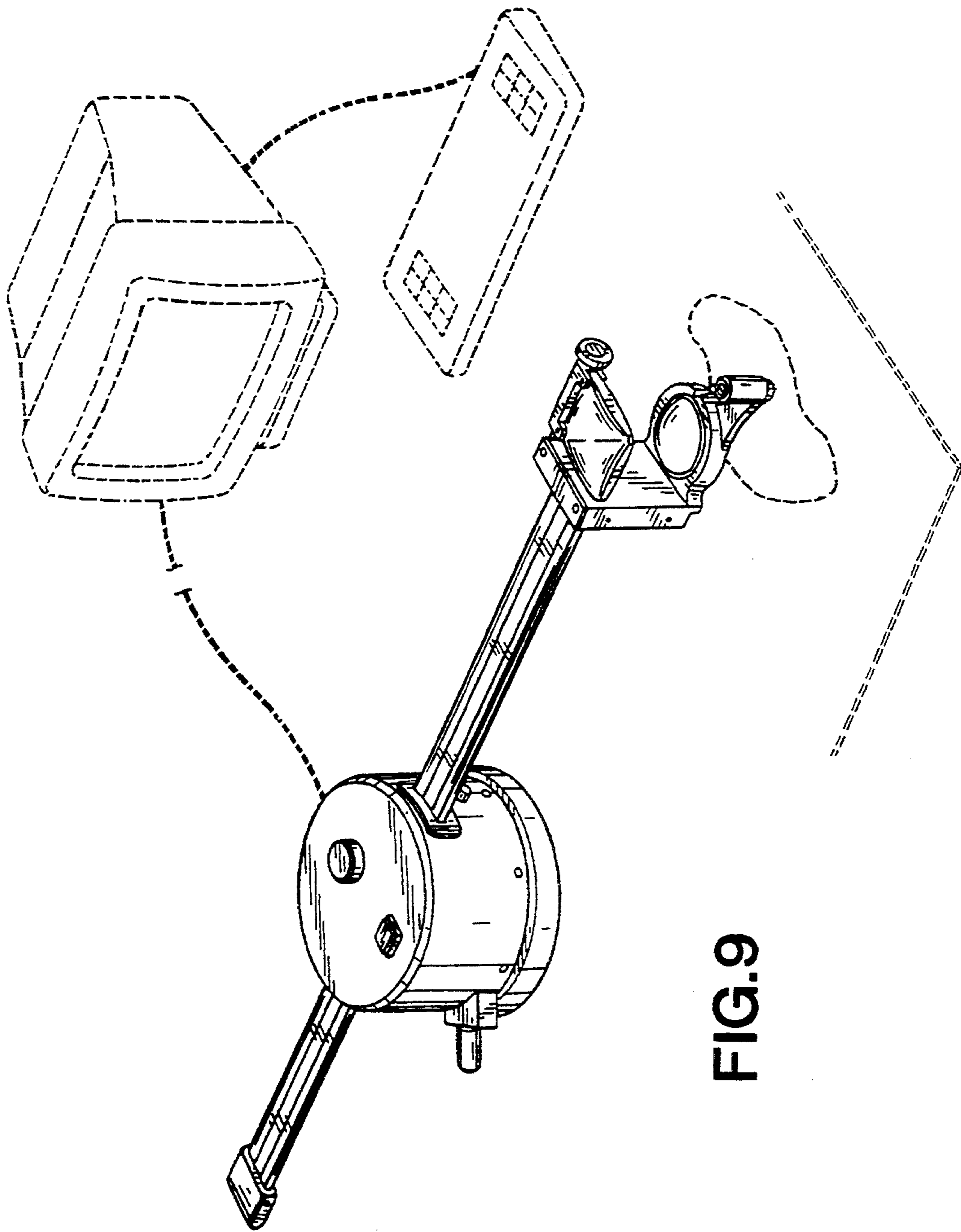


FIG. 9