



US00D360145S

United States Patent [19]

[11] Patent Number: **Des. 360,145**

Odom et al.

[45] Date of Patent: **** Jul. 11, 1995**

[54] **THERMOSTAT HOUSING WITH COMPOUND CURVED SURFACES**

[75] Inventors: **James A. Odom, Apple Valley; Guy M. Shoultz, DeLano, both of Minn.**

[73] Assignee: **Honeywell Inc., Minneapolis, Minn.**

[**] Term: **14 Years**

[21] Appl. No.: **23,743**

[22] Filed: **May 31, 1994**

[52] U.S. Cl. **D10/50**

[58] Field of Search **D10/50; 236/46 R, 46 G, 236/47, 50, 91, 94; 337/112, 327, 360**

- D. 316,977 5/1991 Kolbow et al. .
- D. 317,268 6/1991 Odom, Jr. et al. .
- D. 317,875 7/1991 Mehta D10/50
- D. 344,684 3/1994 Metz et al. .
- 4,235,368 11/1980 Neel D10/50 X

OTHER PUBLICATIONS

Design News, Mar. 12, 1990, p. 124, Magic Stat Thermostat.

Primary Examiner—Antoine Duval Davis

[57] CLAIM

The ornamental design for a thermostat housing with compound curved surfaces, as shown and described.

DESCRIPTION

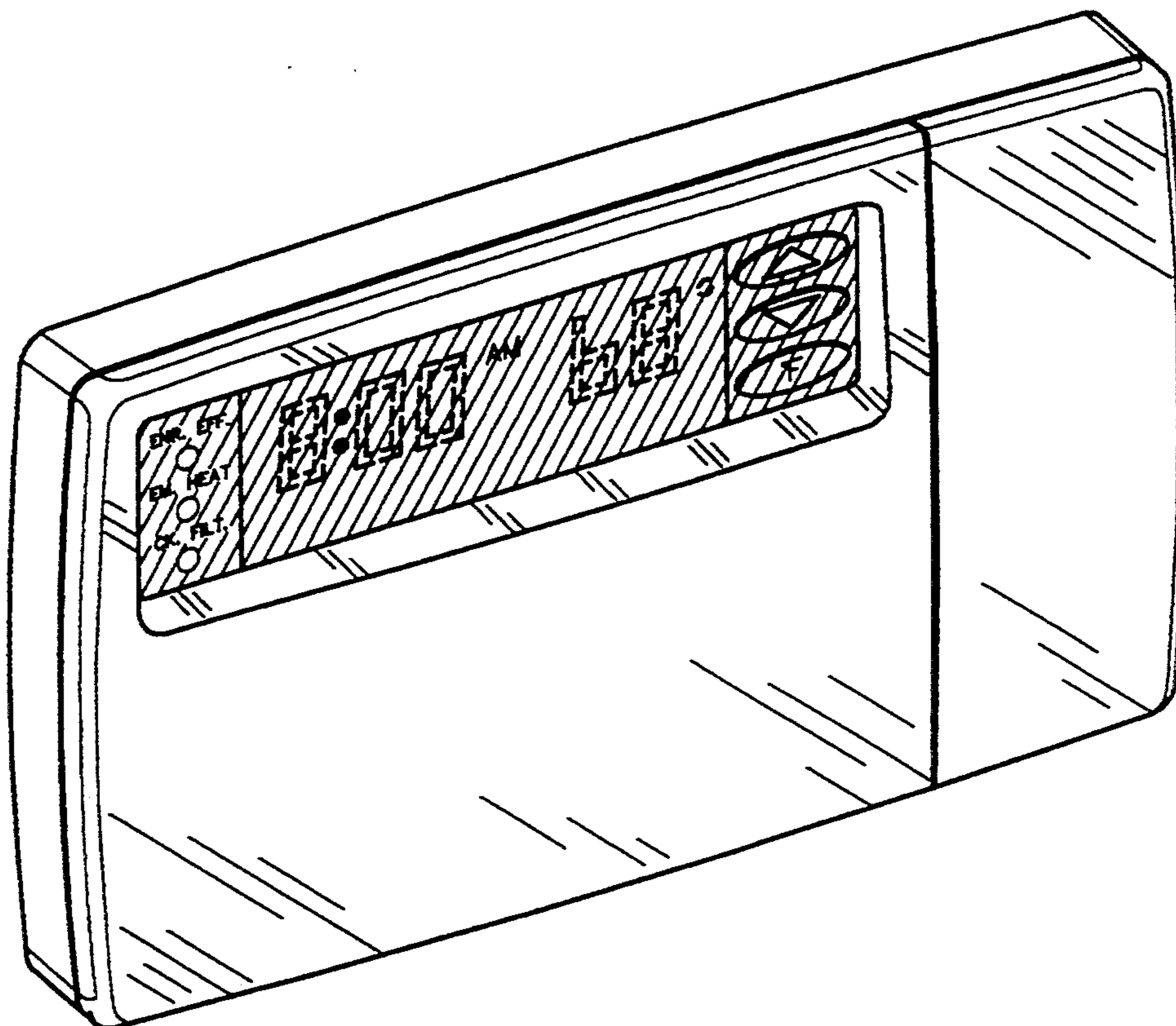
FIG. 1 is a elevation view of the front of the housing, the rear elevation view being plain and unadorned; FIG. 2 is a elevation view of the right side of the housing a viewed from the front; FIG. 3 is a elevation view of the top of the housing the bottom view being a mirror image; and, FIG. 4 is a perspective view of the housing as viewed from above and to the left.

The thermostat housing with compound curved surfaces is shown in a condition of use in FIGS. 1-4.

[56] References Cited

U.S. PATENT DOCUMENTS

- D. 256,336 8/1980 Odom et al. .
- D. 270,815 10/1983 Odom .
- D. 271,086 10/1983 Odom .
- D. 288,785 3/1987 Levine .
- D. 297,419 8/1988 Bonnema et al. .
- D. 304,692 11/1989 Parker et al. D10/50 X
- D. 310,788 9/1990 Wolfe .
- D. 315,519 3/1991 Odom, Jr. et al. .



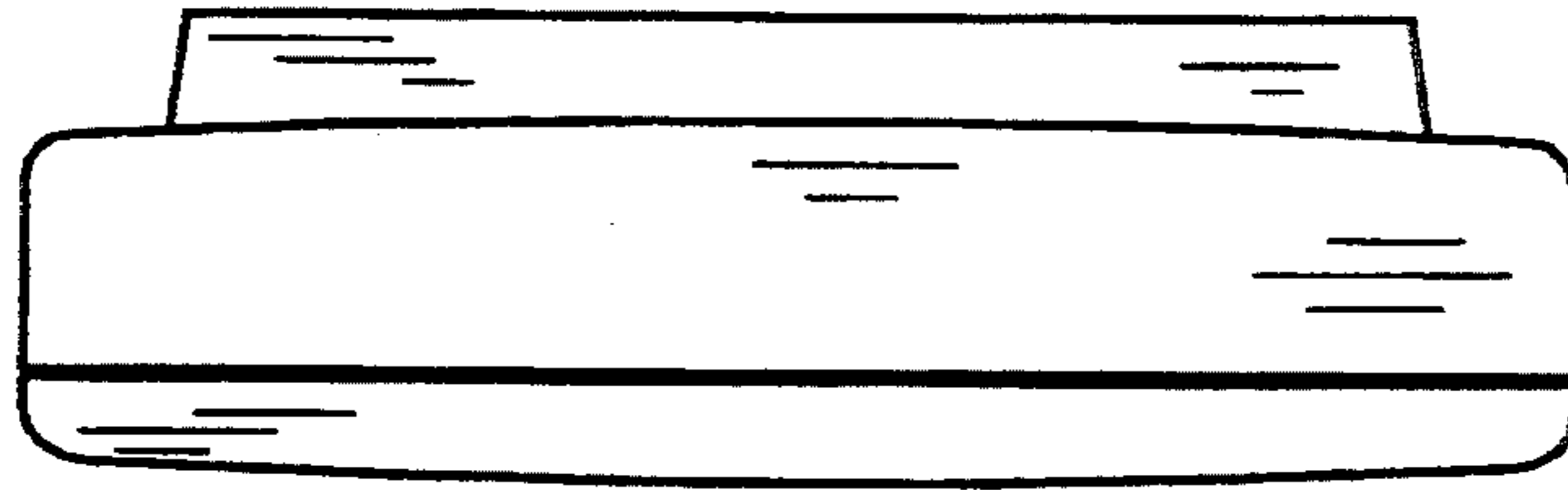


Fig. 2

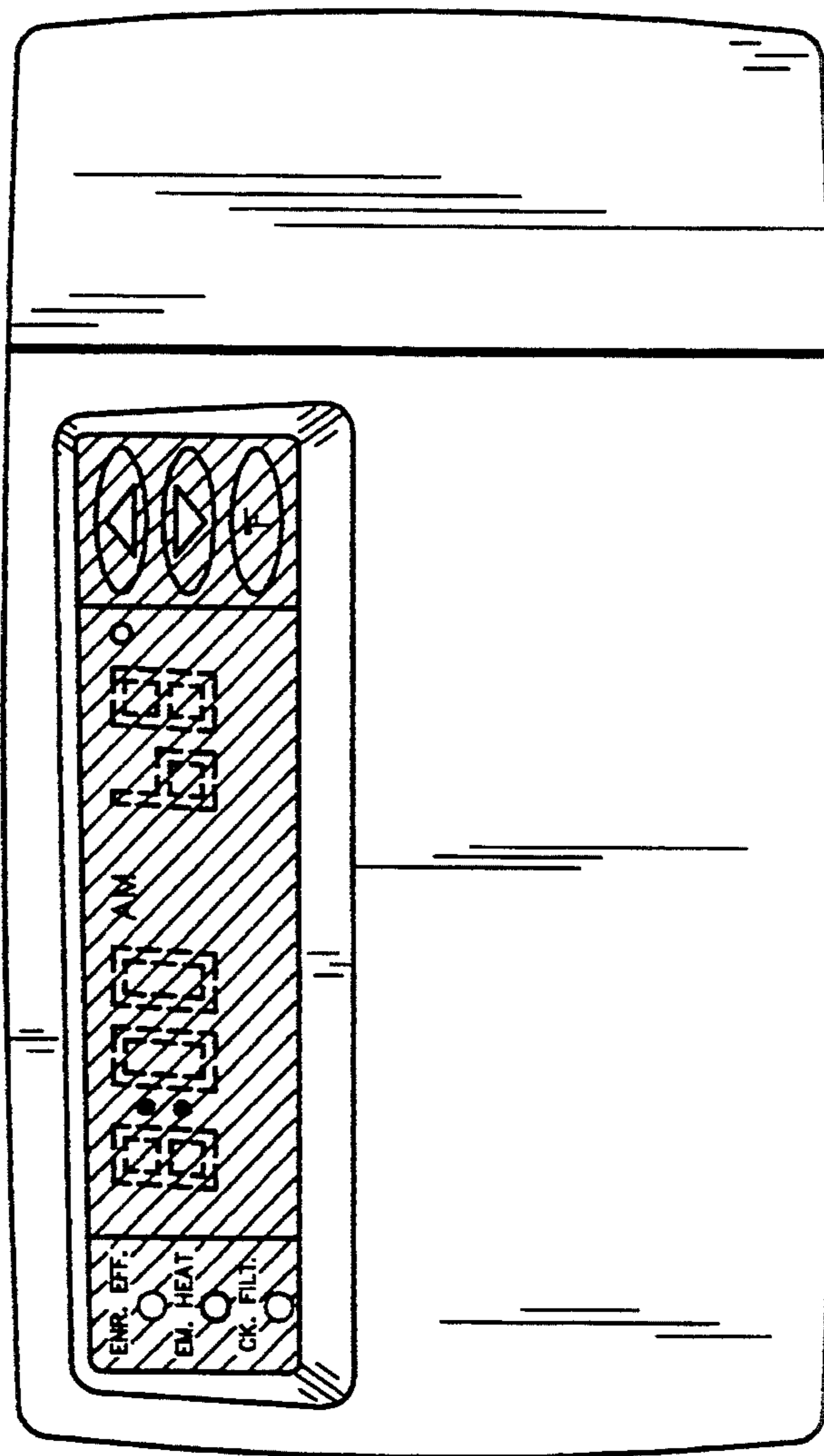


Fig. 1

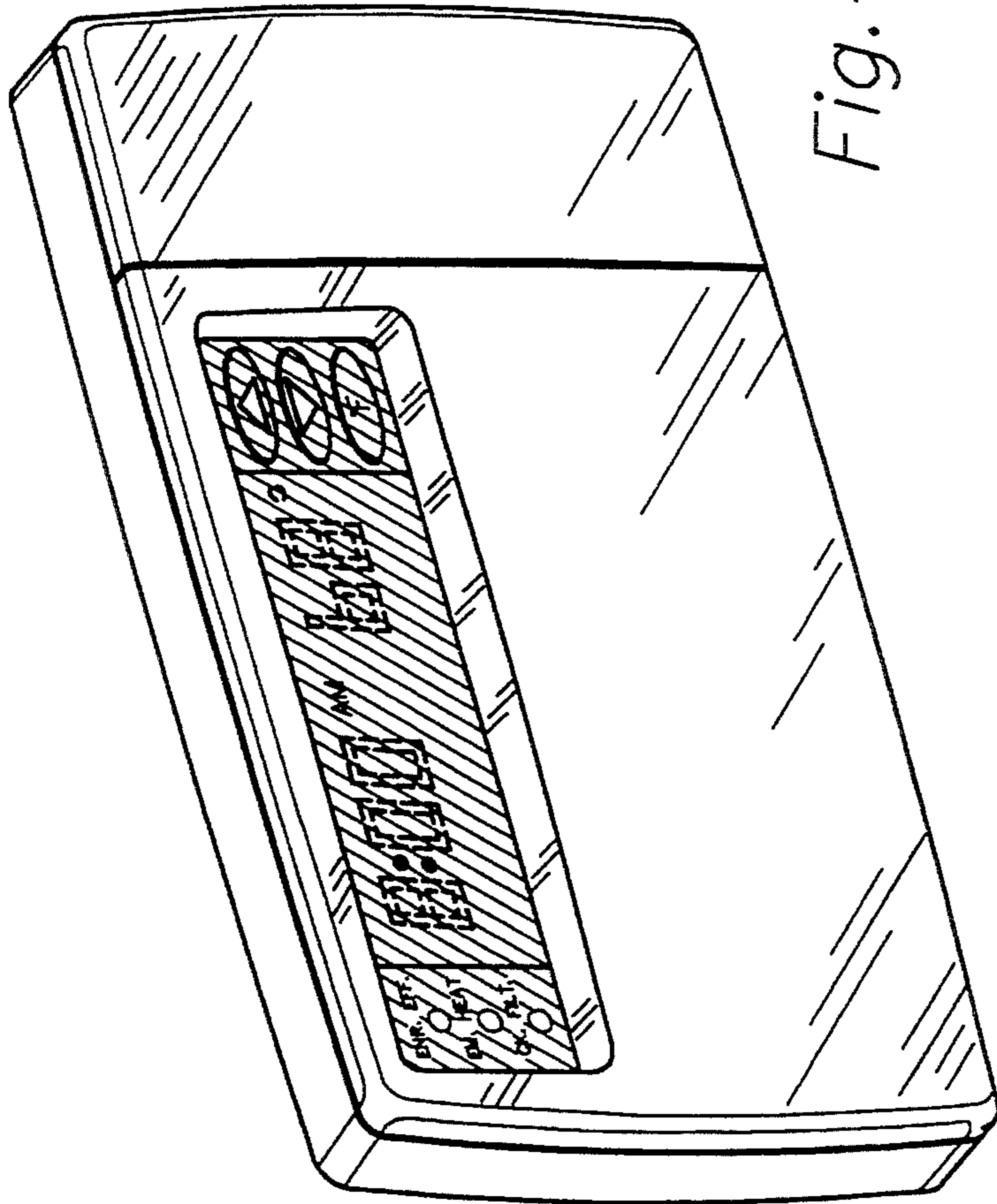


Fig. 4

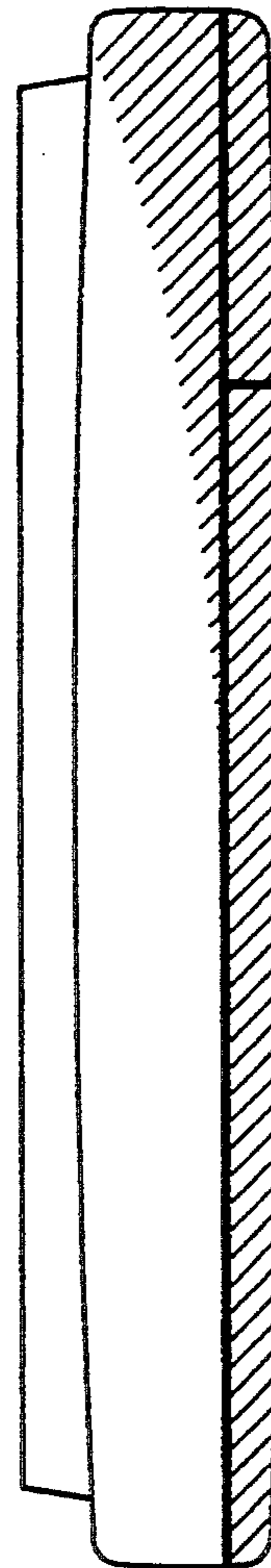


Fig. 3