



US00D360140S

United States Patent [19] Grant

[11] Patent Number: **Des. 360,140**

[45] Date of Patent: **** Jul. 11, 1995**

[54] TRAVEL CLOCK

[75] Inventor: **Patrick A. B. Grant**, Flichity, United Kingdom

[73] Assignee: **Grants of Dalvey Limited**, Ross-shire, United Kingdom

[**] Term: **14 Years**

[21] Appl. No.: **16,299**

[22] Filed: **Dec. 13, 1993**

[30] **Foreign Application Priority Data**

Jul. 5, 1993 [GB] United Kingdom 2032162

[52] U.S. Cl. **D10/18; D10/37**

[58] Field of Search D10/1-40,
D10/122-132; 368/280-282, 276-277, 285

[56] **References Cited**

U.S. PATENT DOCUMENTS

- D. 12,573 11/1881 Untermeyer D10/36
- D. 26,503 1/1897 Palmer D10/36
- D. 35,407 12/1901 Gruen D10/37
- D. 52,458 9/1918 McGrevy D10/37
- D. 63,030 9/1923 Foster D28/82
- D. 81,132 5/1930 Gebauer D28/78
- D. 86,471 3/1932 Pierce D10/37

- D. 91,443 1/1934 Sheldon D10/37
- D. 225,586 12/1972 Stahl D28/82
- D. 288,668 3/1987 Flury D10/31
- 2,372,969 4/1945 Michals D28/82 X

OTHER PUBLICATIONS

Jeweler's Circular-Keystone—Mar. 1979—p. 66—Clock at center.

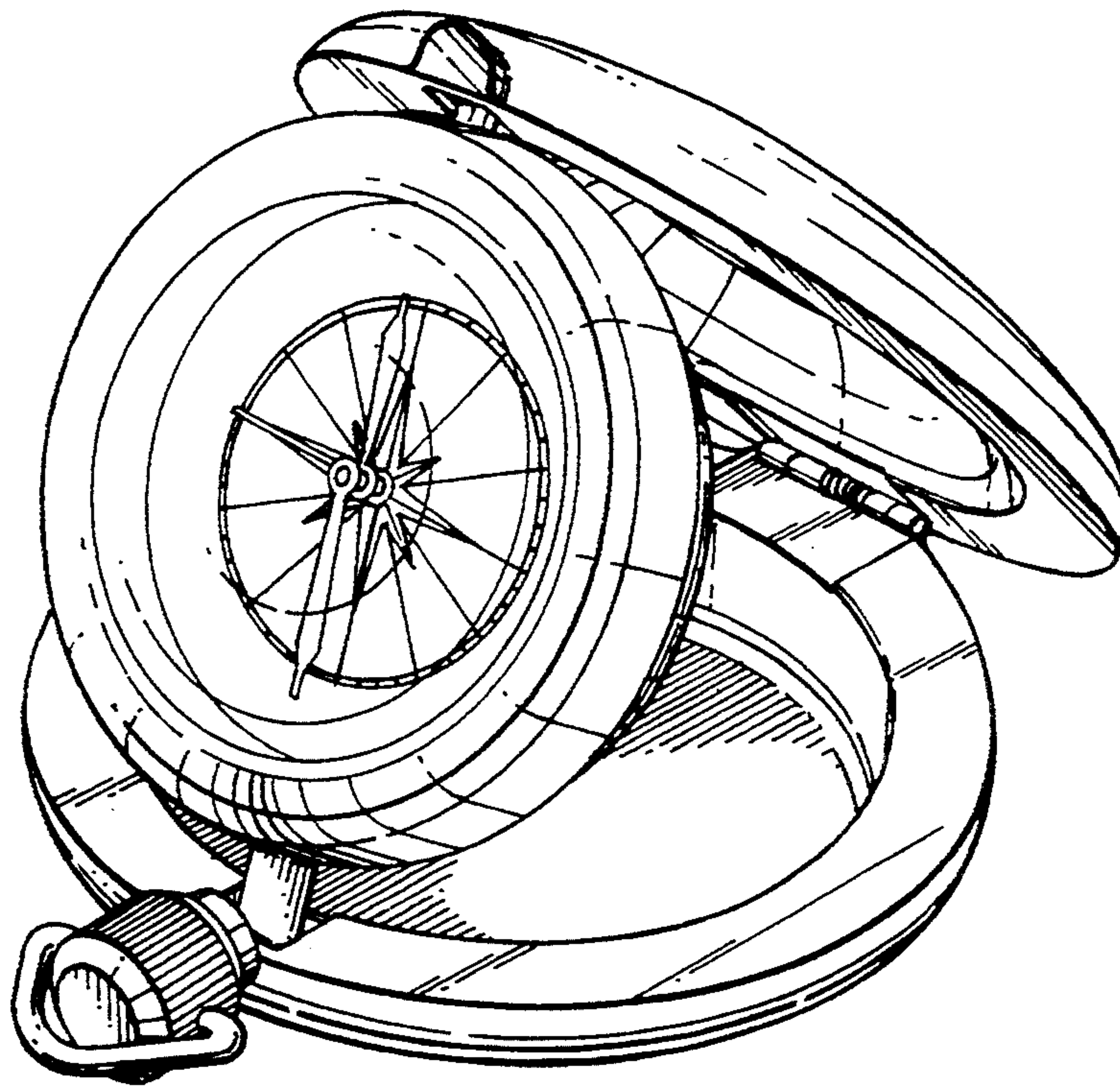
Primary Examiner—Nelson C. Holtje
Attorney, Agent, or Firm—Henry H. Skillman

[57] **CLAIM**

The ornamental design for a travel clock, as shown and described.

DESCRIPTION

FIG. 1 is a front perspective view from above and one side of a travel clock showing the design;
 FIG. 2 is a rear view thereof;
 FIG. 3 is a side view thereof, the opposite side view being a mirror image;
 FIG. 4 is an underneath plan view thereof;
 FIG. 5 is a front perspective view from above thereof in an opened position;
 FIG. 6 is a front perspective view from above thereof in an alternative open position; and,
 FIG. 7 is a front view thereof in the closed position.



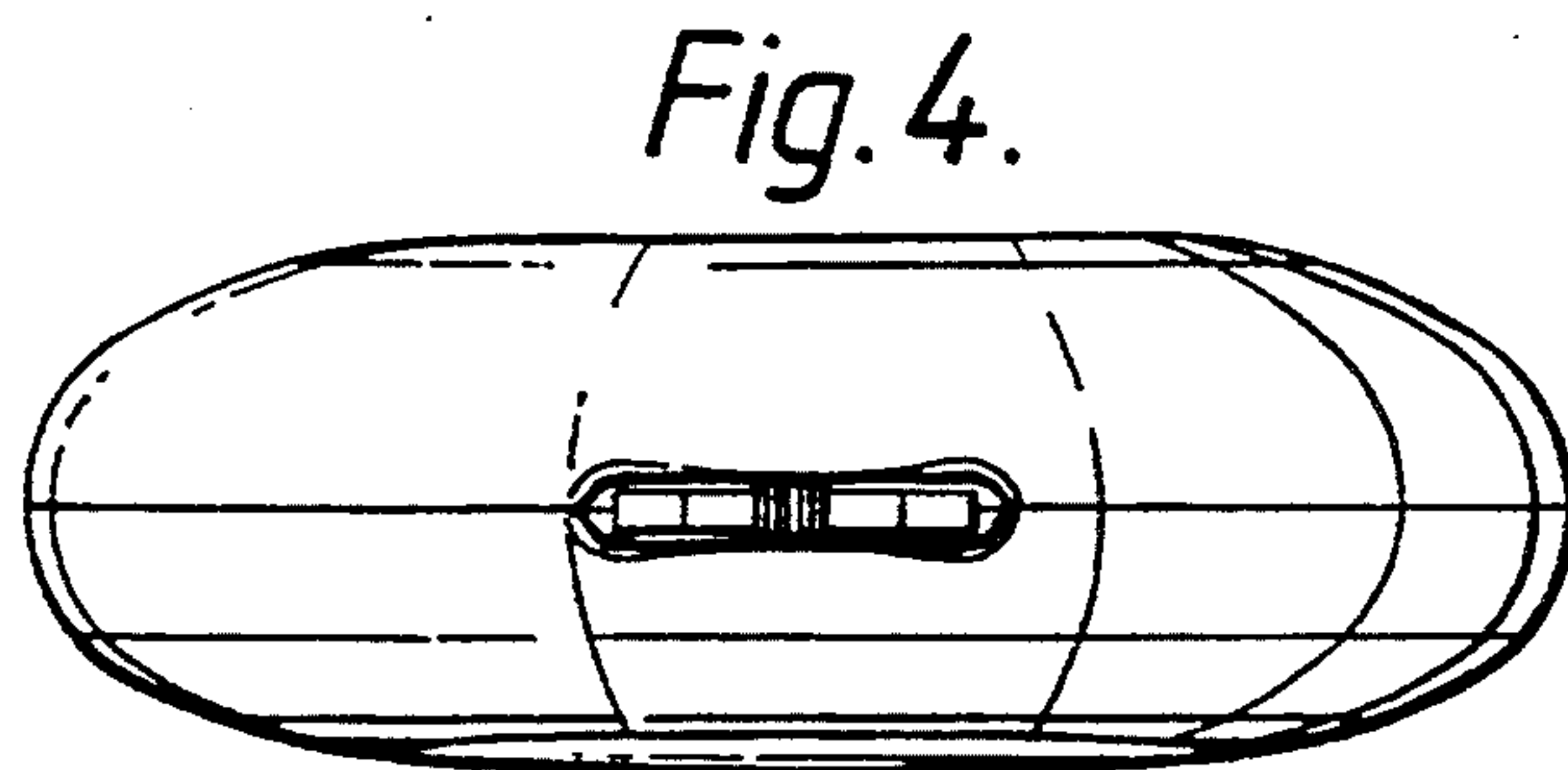
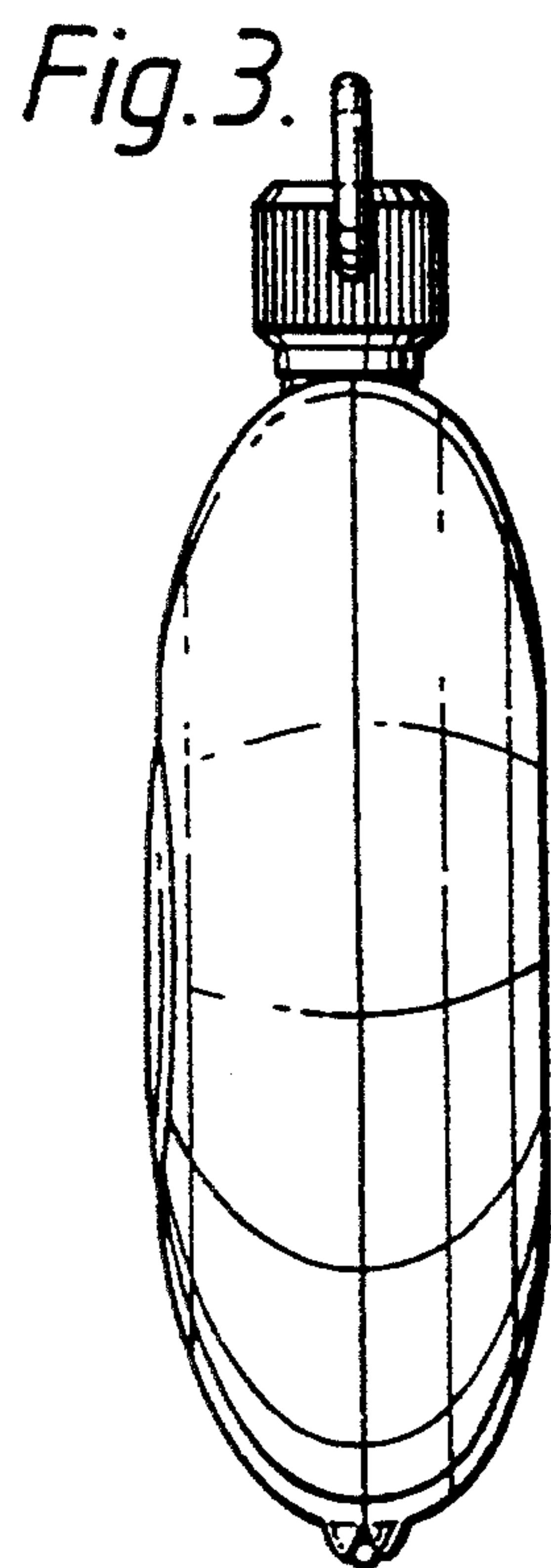
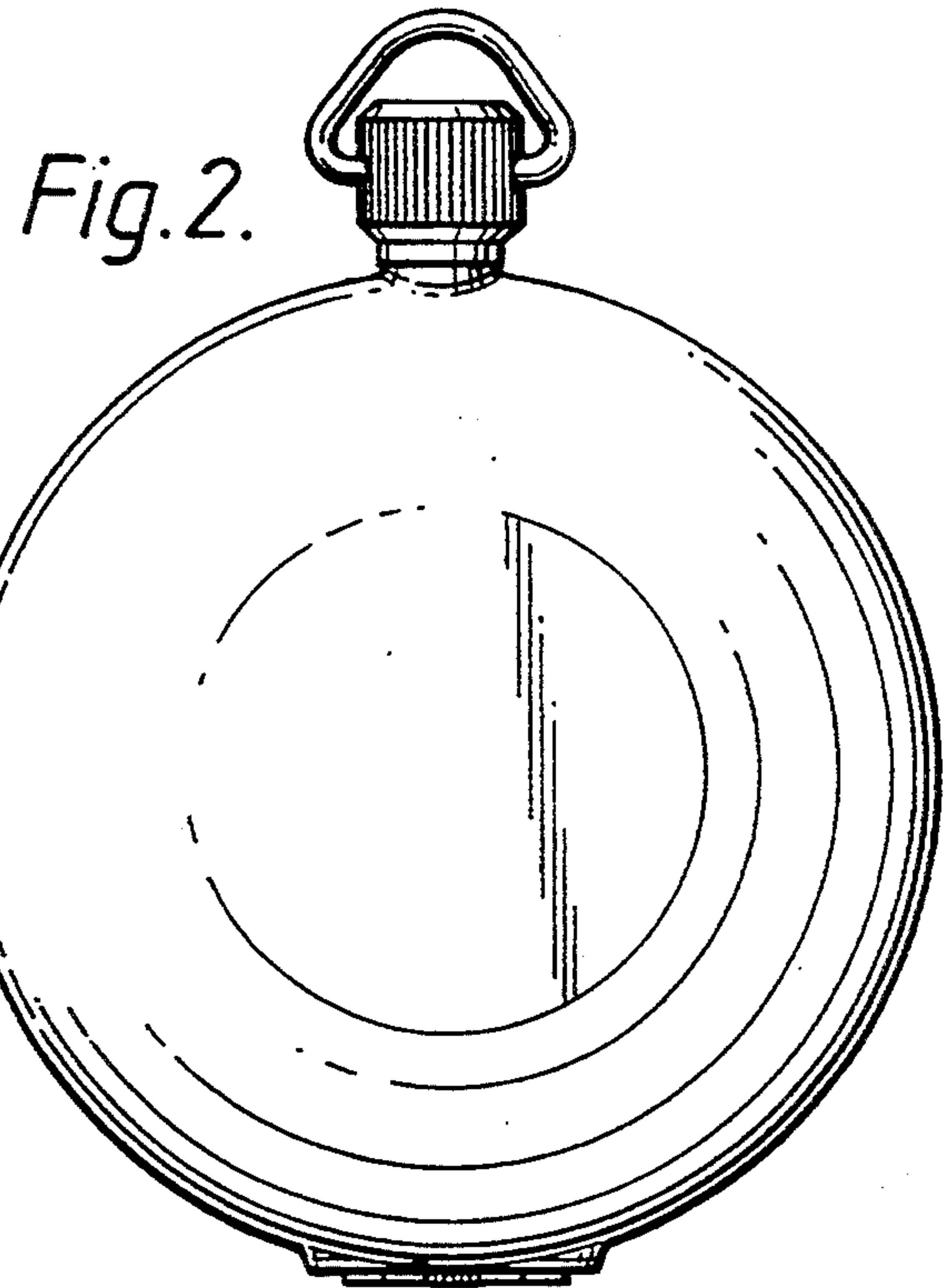
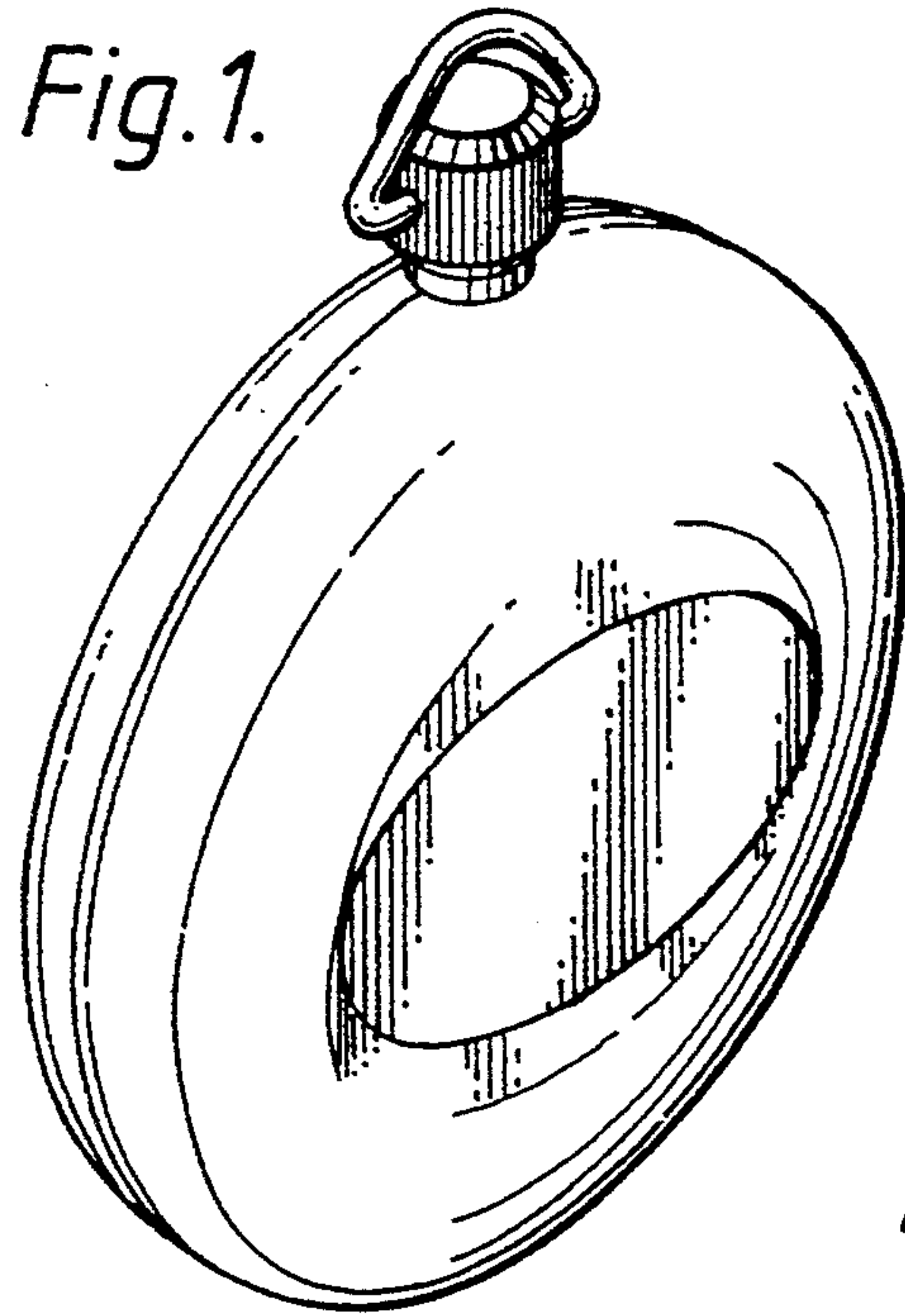


Fig. 5.

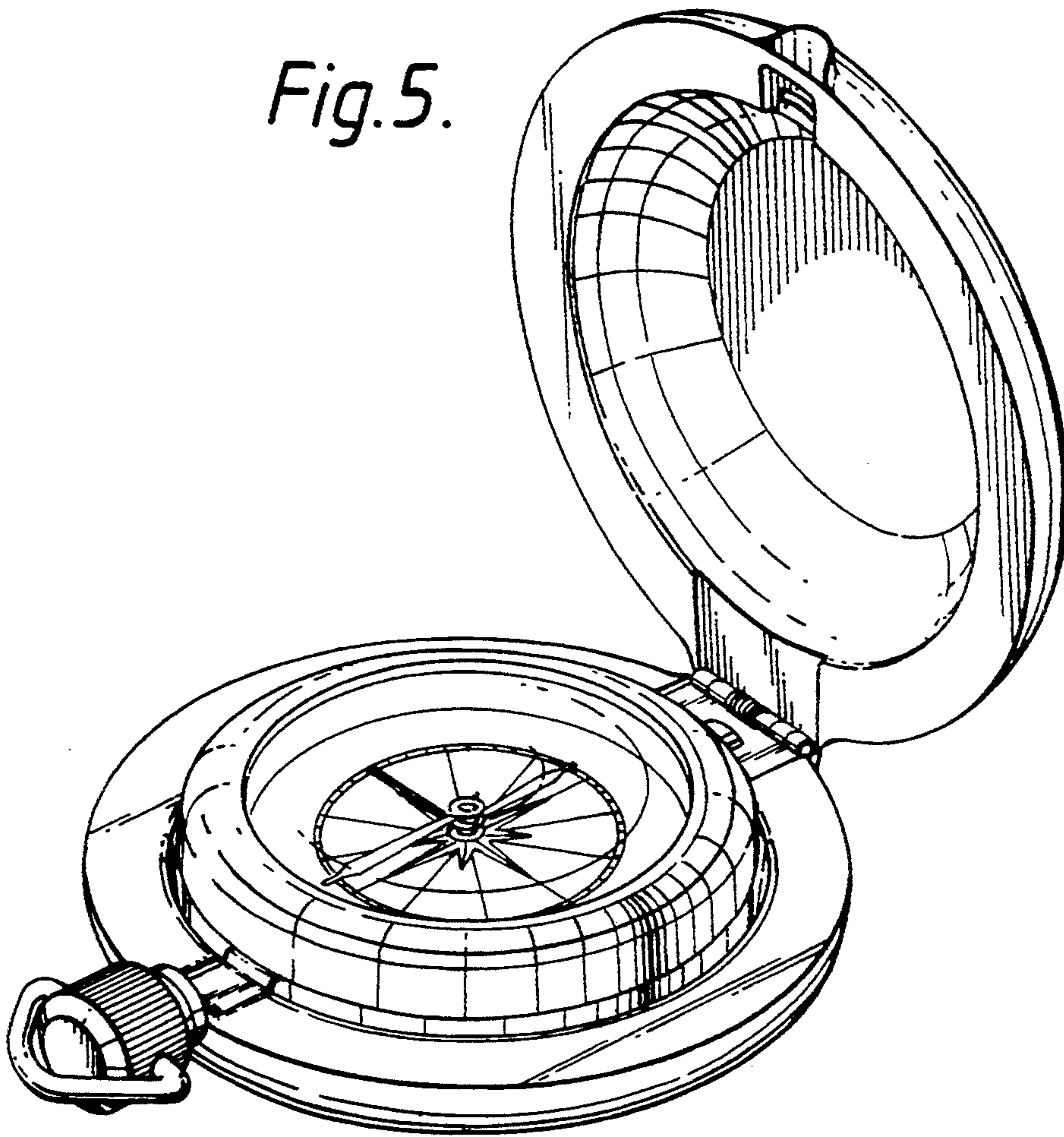


Fig. 6.

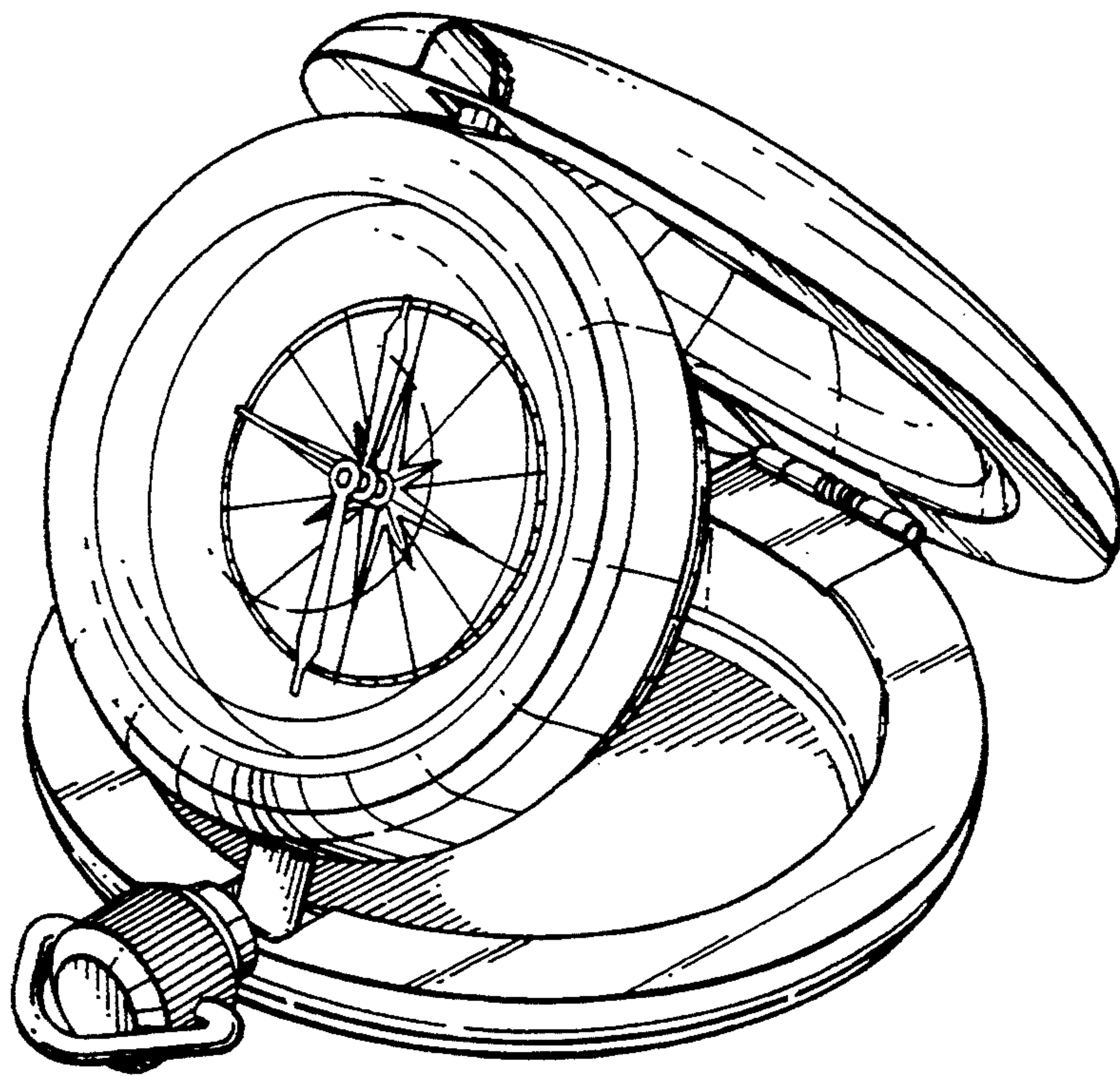


Fig. 7

