



US00D360139S

United States Patent [19]

[11] Patent Number: **Des. 360,139**

Pistilli

[45] Date of Patent: **** Jul. 11, 1995**

- [54] **DIGITAL ALARM CLOCK**
- [75] Inventor: **Rodney M. Pistilli, Duluth, Ga.**
- [73] Assignee: **GTC Properties, Inc., Wilmington, Del.**
- [**] Term: **14 Years**
- [21] Appl. No.: **18,741**
- [22] Filed: **Feb. 14, 1994**
- [52] U.S. Cl. **D10/15**
- [58] Field of Search **D10/1-40, D10/122-132; 368/276-277, 285, 316-317**

Hong Kong Enterprise—Oct. 1990—p. 177—clock at top right.

Domus—Aug. 6, 1980—p. 46—clock at top.

Primary Examiner—Nelson C. Holtje
Attorney, Agent, or Firm—Jones, Day, Reavis & Pogue

[57] CLAIM

The ornamental design for a digital alarm clock, as shown and described.

DESCRIPTION

FIG. 1 is a perspective view of a digital alarm clock showing my new design;
 FIG. 2 is a front elevational view of the alarm clock illustrated in FIG. 1;
 FIG. 3 is a top plan view of the alarm clock illustrated in FIG. 1;
 FIG. 4 is a bottom plan view of the alarm clock illustrated in FIG. 1;
 FIG. 5 is a rear elevational view of the alarm clock illustrated in FIG. 1; and,
 FIG. 6 is a side elevational view of the alarm clock illustrated in FIG. 1, the side not shown being a mirror image of the side shown.

- [56] **References Cited**
- U.S. PATENT DOCUMENTS**
- D. 161,880 2/1957 Schlenker D10/15
- D. 242,385 11/1976 Hamada D15/10 X
- D. 294,228 2/1988 Pazazzo D10/15 X
- OTHER PUBLICATIONS**
- Retailing Home Furnishings*—Jul. 11, 1977—Sec. 2—p. 8—clock at very center.
- Domus*—Feb. 1978—p. 25—clock at center.

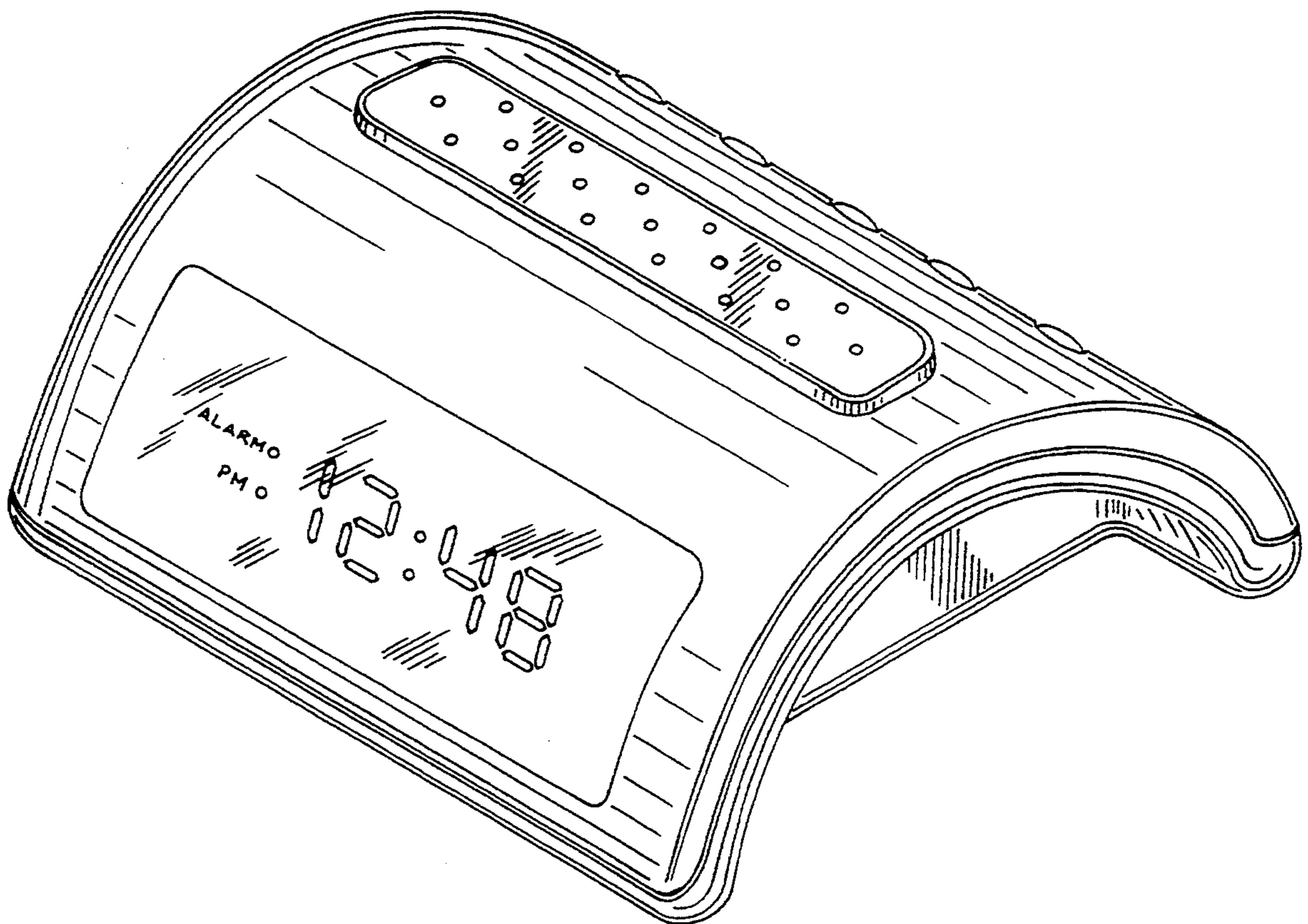


FIG. 1

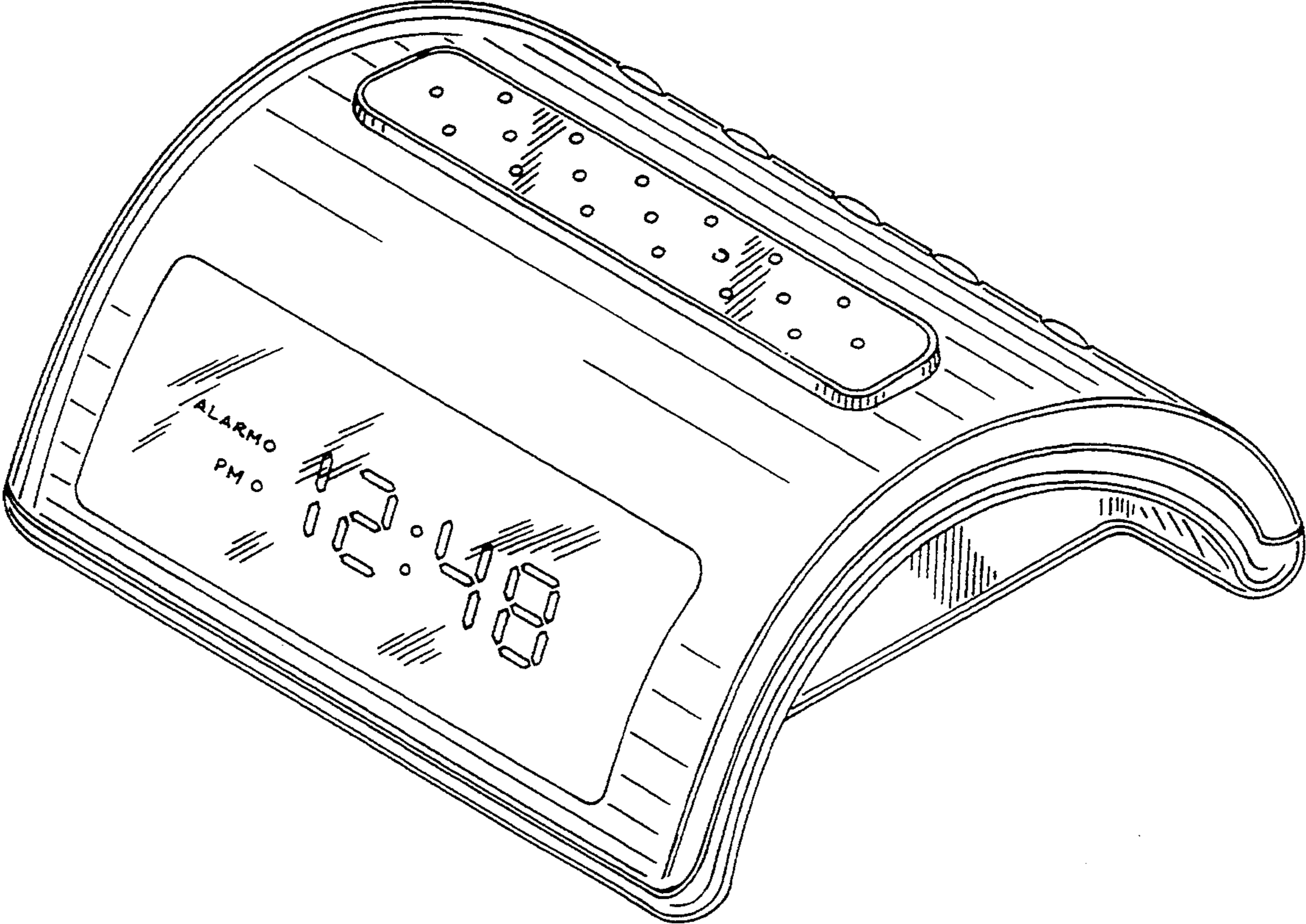


FIG. 2

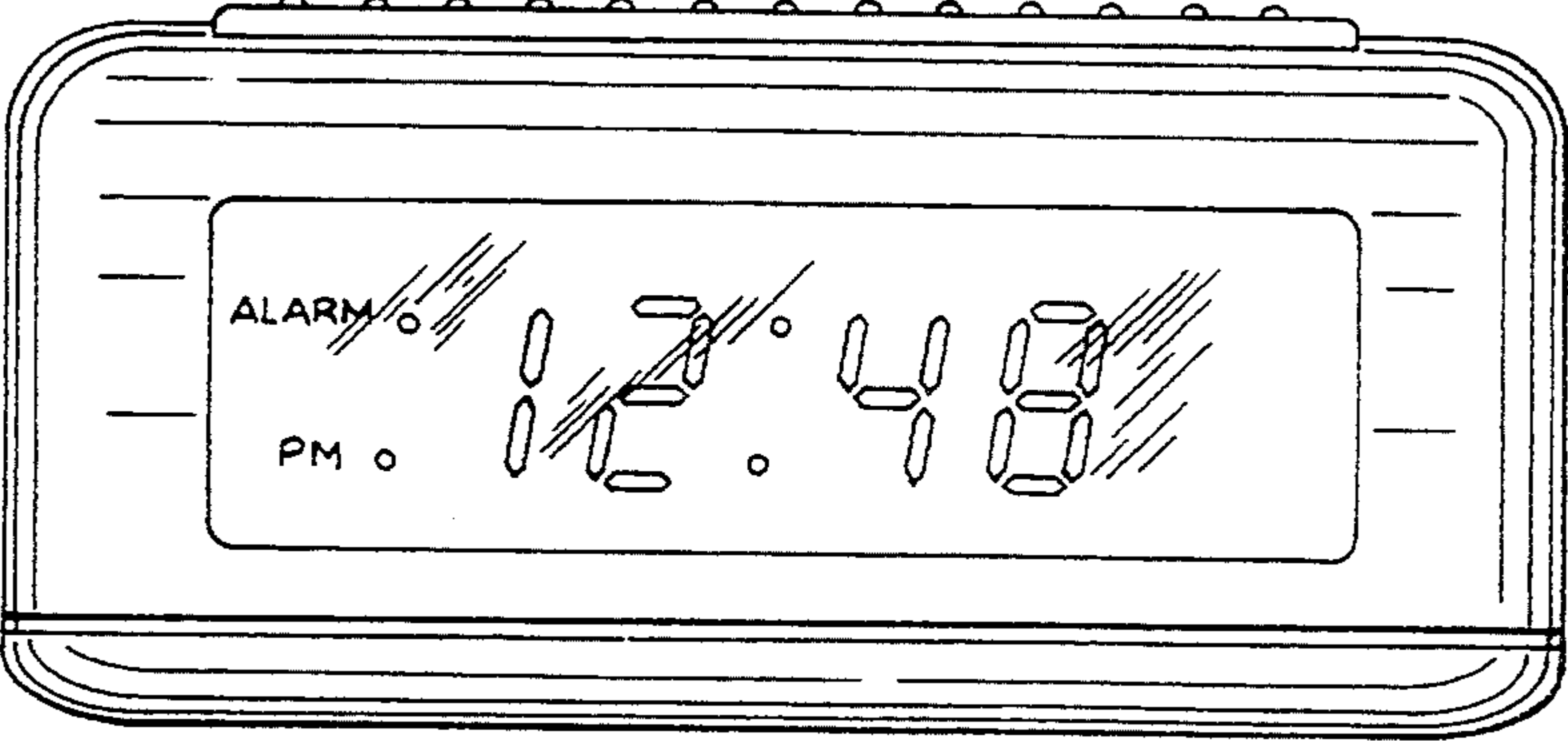


FIG. 3

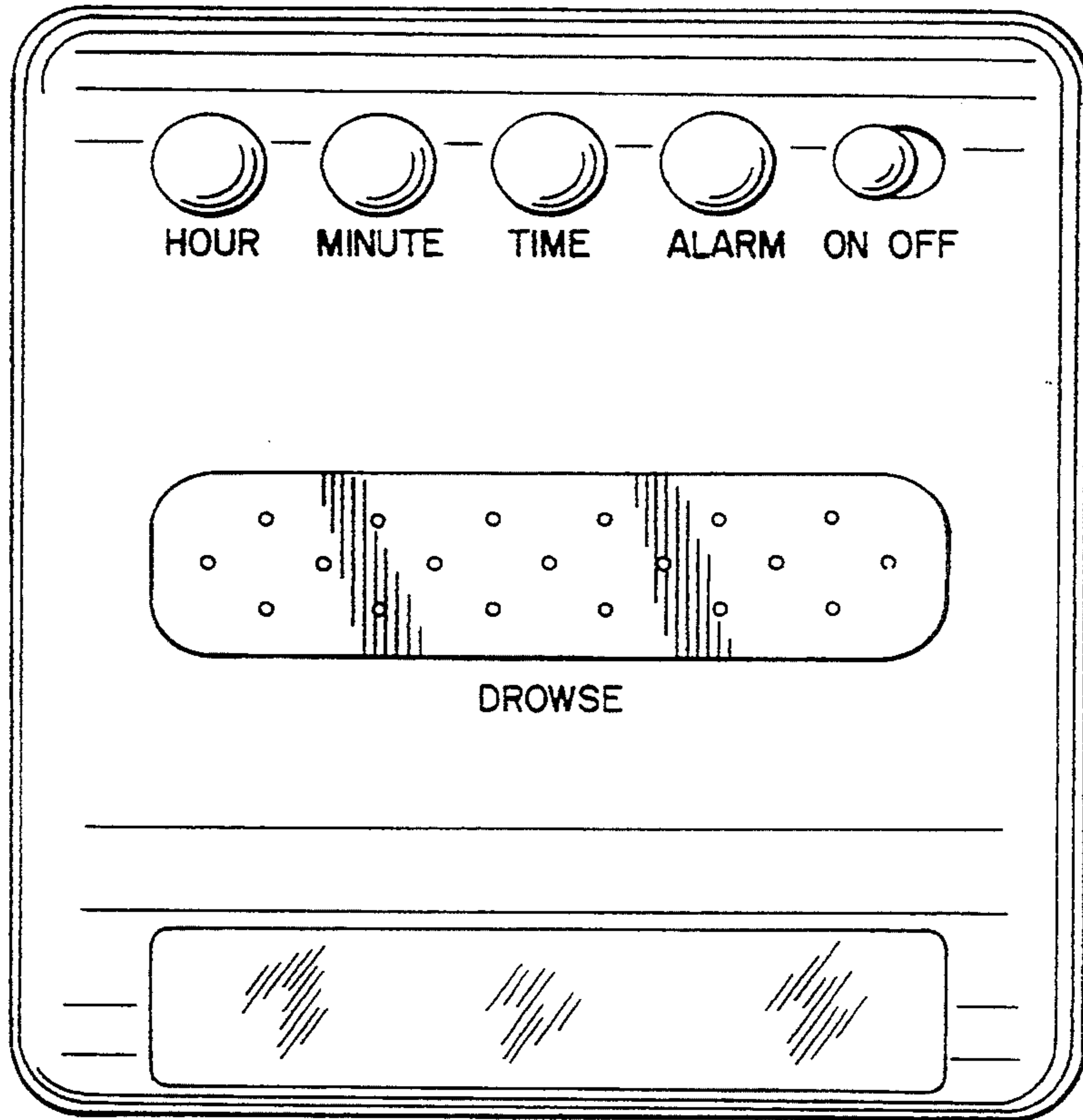


FIG. 4

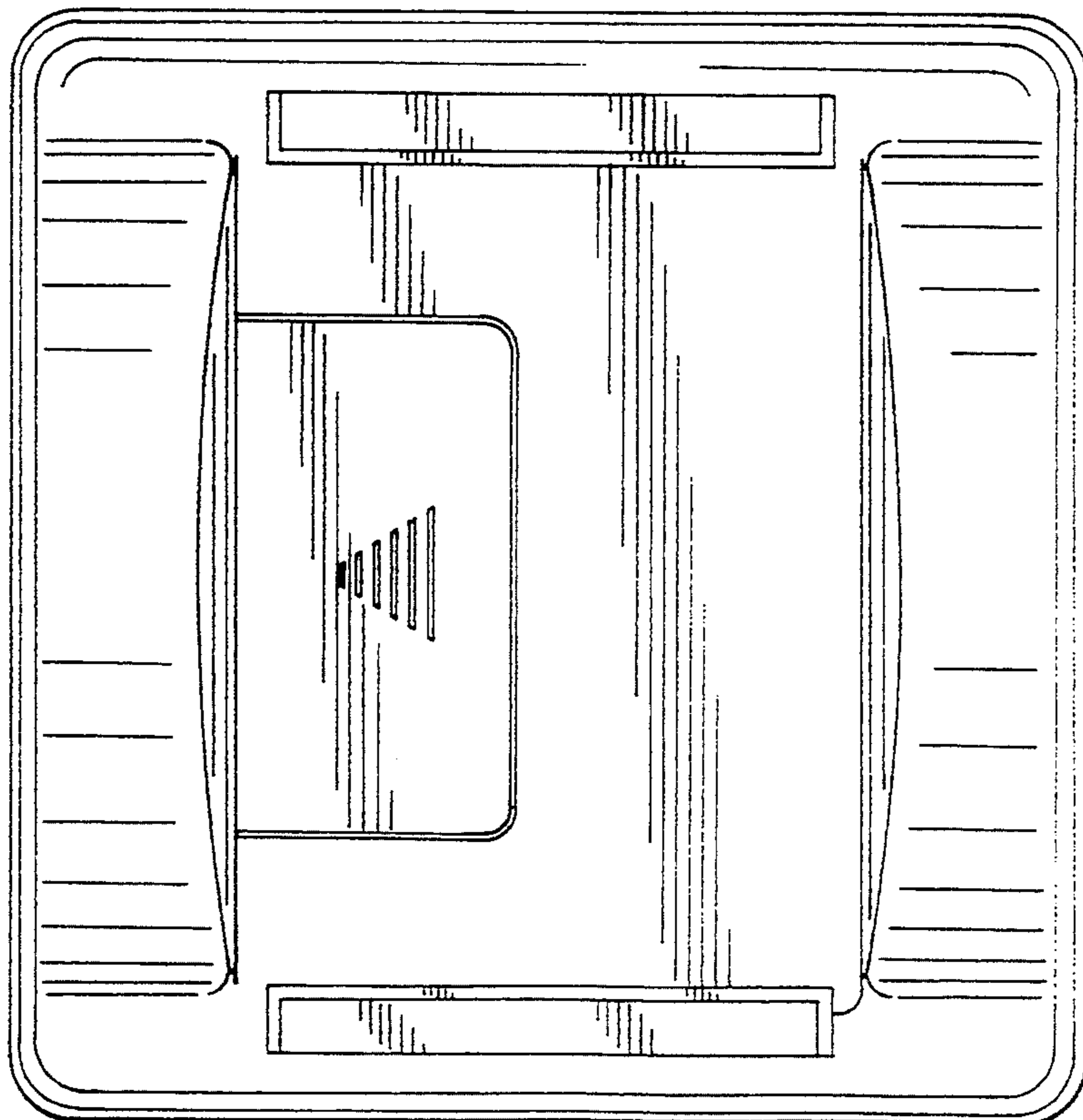


FIG. 5

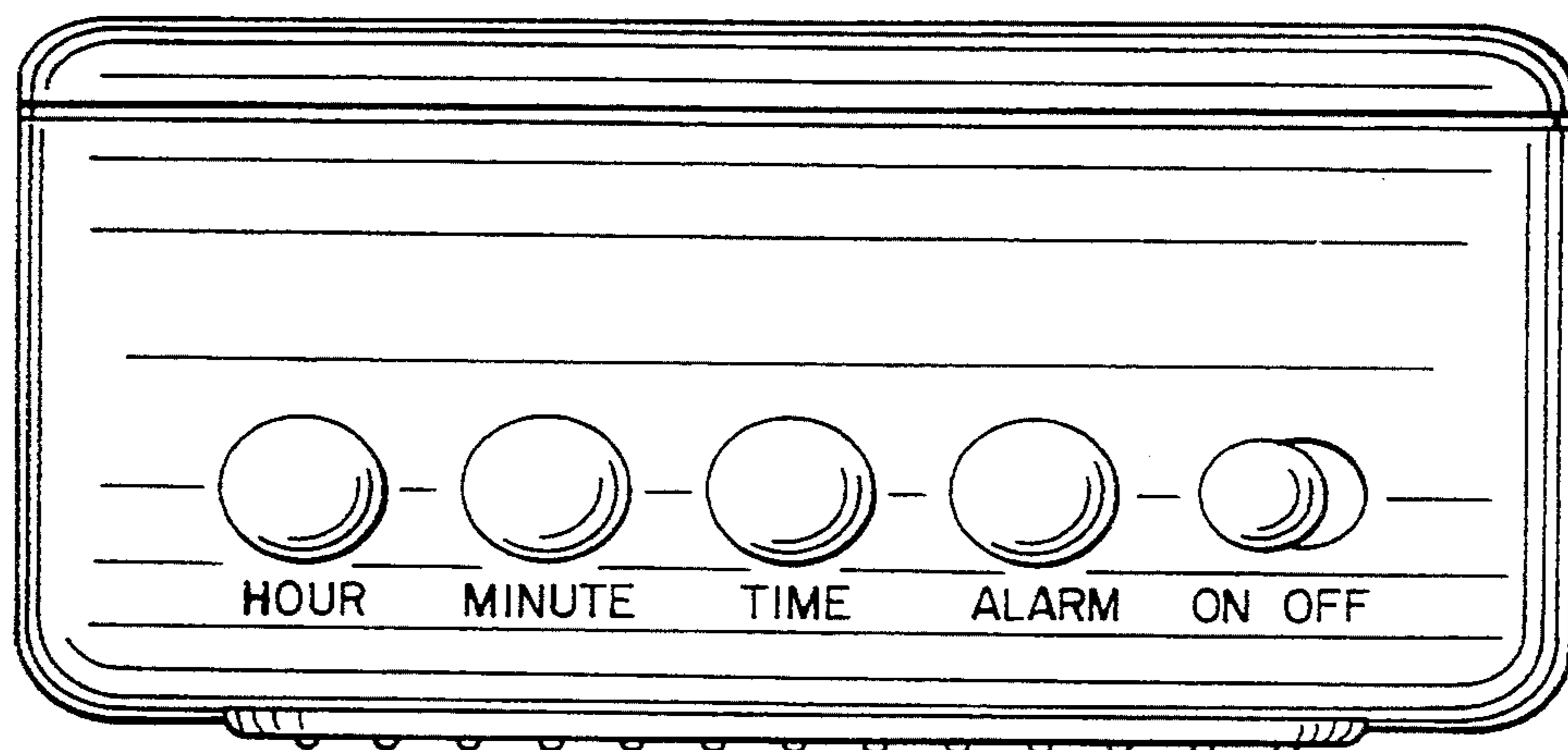


FIG. 6

