



US00D360138S

United States Patent [19] DeLarosa

[11] Patent Number: **Des. 360,138**
[45] Date of Patent: **** Jul. 11, 1995**

[54] **PERSONALIZED ALARM CLOCK**
[76] Inventor: **Vince DeLarosa**, 6236 N. Hermitage,
Chicago, Ill. 60660
[**] Term: **14 Years**
[21] Appl. No.: **8,242**
[22] Filed: **May 12, 1993**
[52] U.S. Cl. **D10/15; D14/198**
[58] Field of Search **D10/1-40,**
D10/122-132; 368/72-74, 82-84, 239-242,
276-277, 285

4,508,457 4/1985 Aizawa 368/63
4,525,076 6/1985 Takebe 368/63
4,821,247 4/1989 Grooms 368/63

Primary Examiner—Nelson C. Holtje
Attorney, Agent, or Firm—Terry M. Gernstein

[57] CLAIM

The ornamental design for a personalized alarm clock,
as shown and described.

DESCRIPTION

FIG. 1 is a front, top and side perspective view of the
personalized alarm clock showing my new design, the
cord being cutaway for the sake of convenience of
illustration;

FIG. 2 is a front elevational view thereof;

FIG. 3 is a rear elevational view thereof;

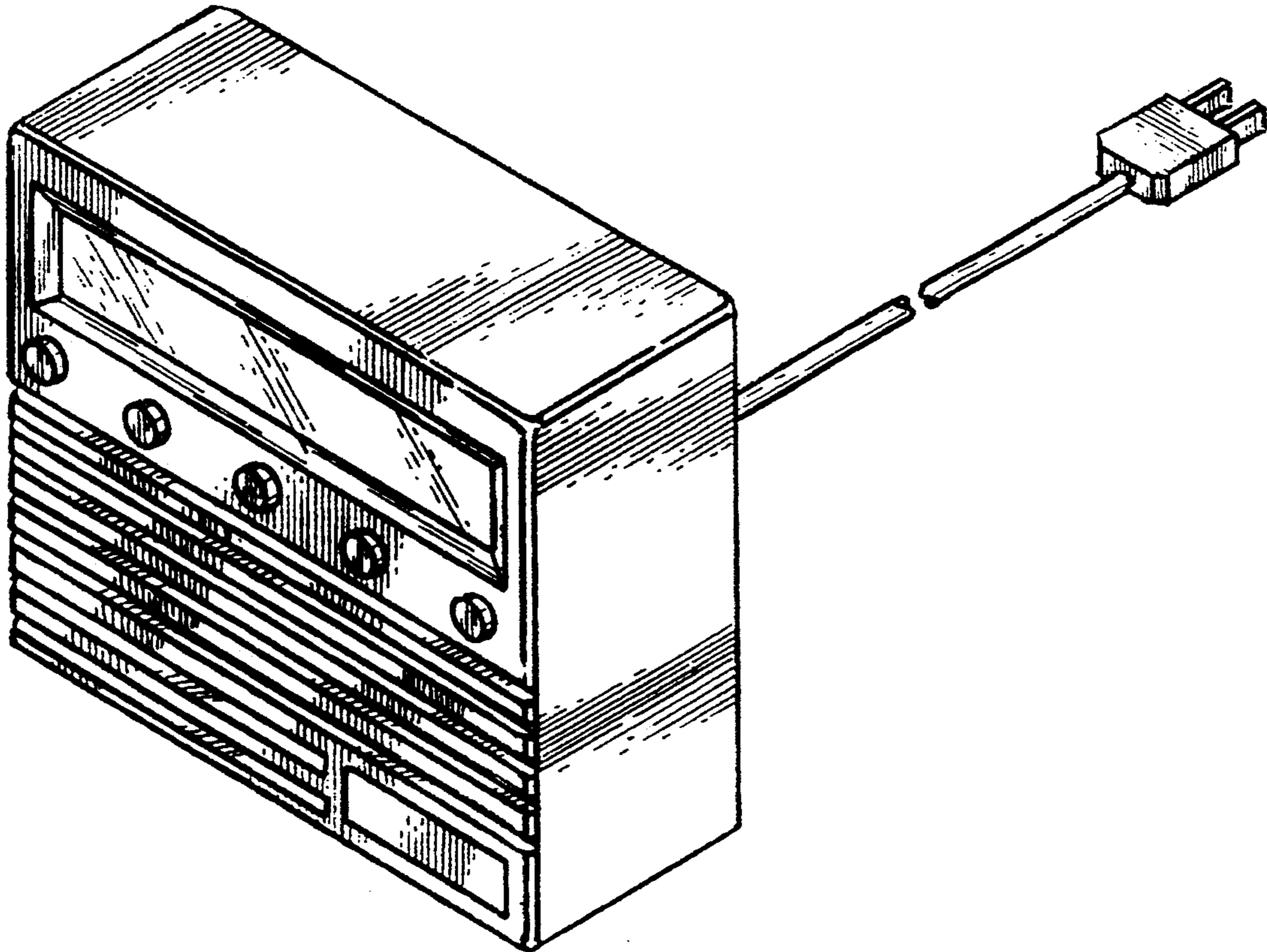
FIG. 4 is a side elevational view thereof;

FIG. 5 is a side elevational view thereof; and,

FIG. 6 is a top plan view thereof, the bottom view being
a mirror image of the top view shown in FIG. 6.

[56] References Cited U.S. PATENT DOCUMENTS

D. 170,671	10/1953	Wilson	D14/198
D. 220,965	6/1971	Jordan	D10/2
D. 234,535	3/1975	Miyamoto	D14/198
D. 234,537	3/1975	Kawano	D14/198
D. 252,614	8/1979	Thornberry	D10/15 X



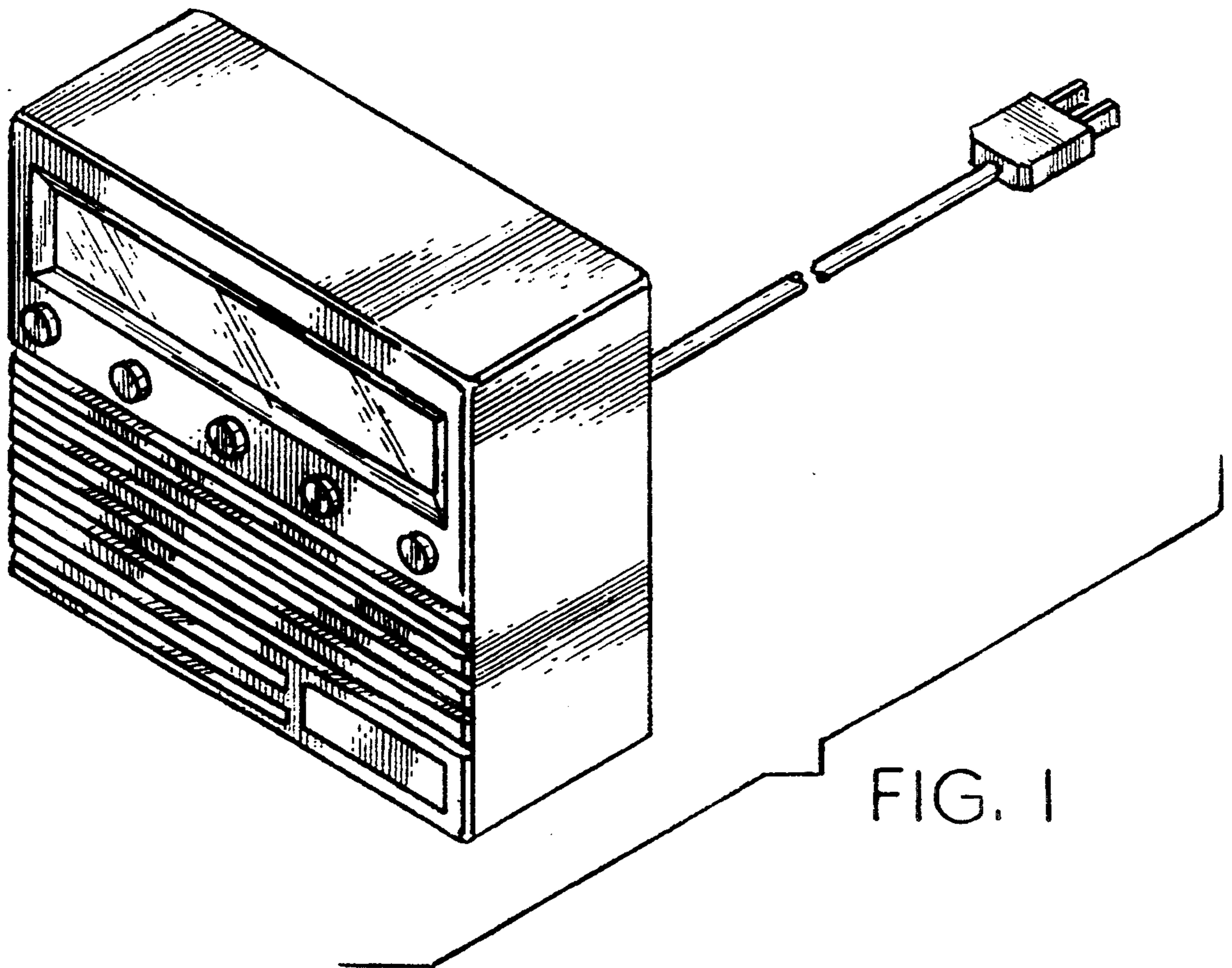


FIG. 2

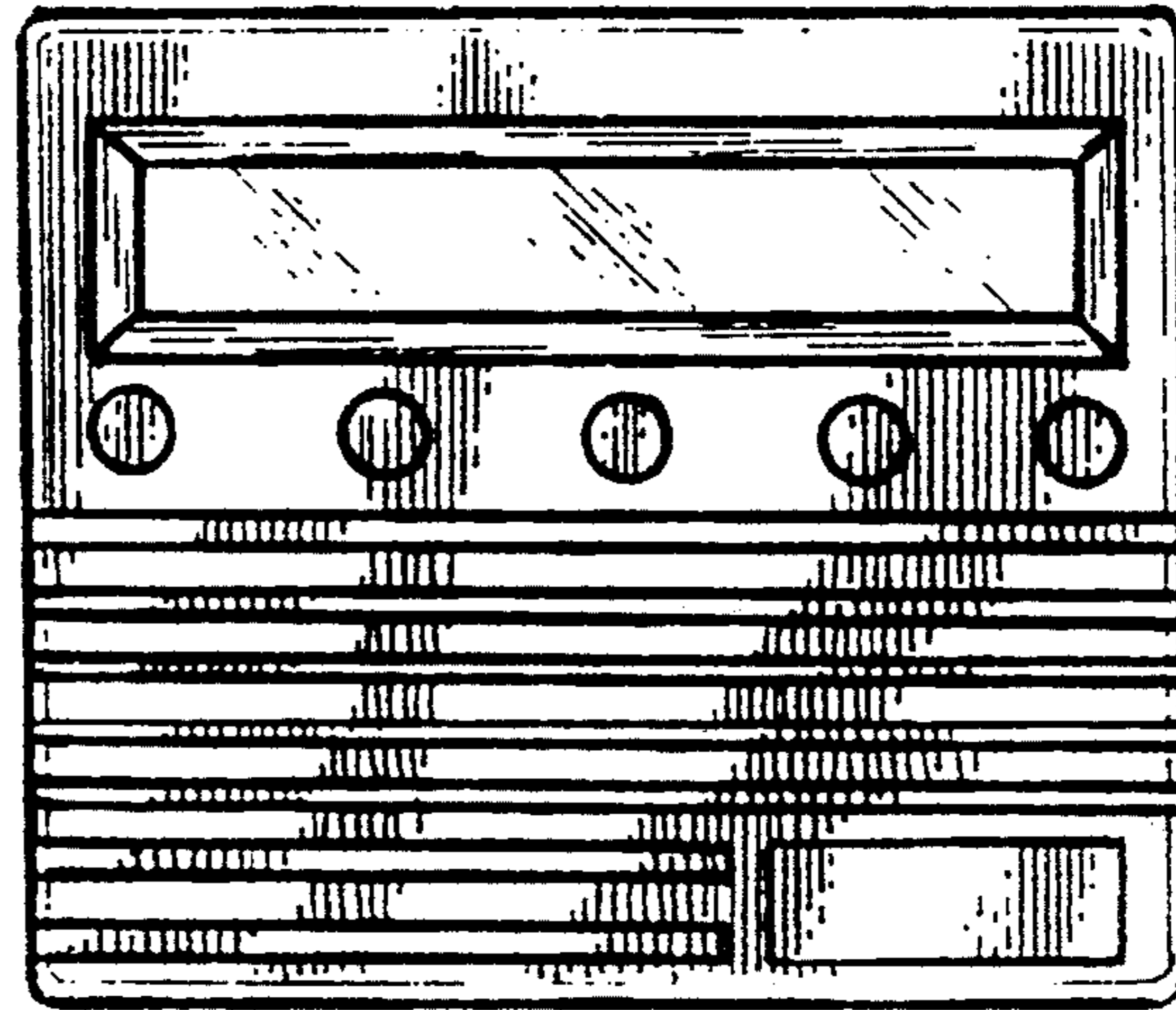


FIG. 3

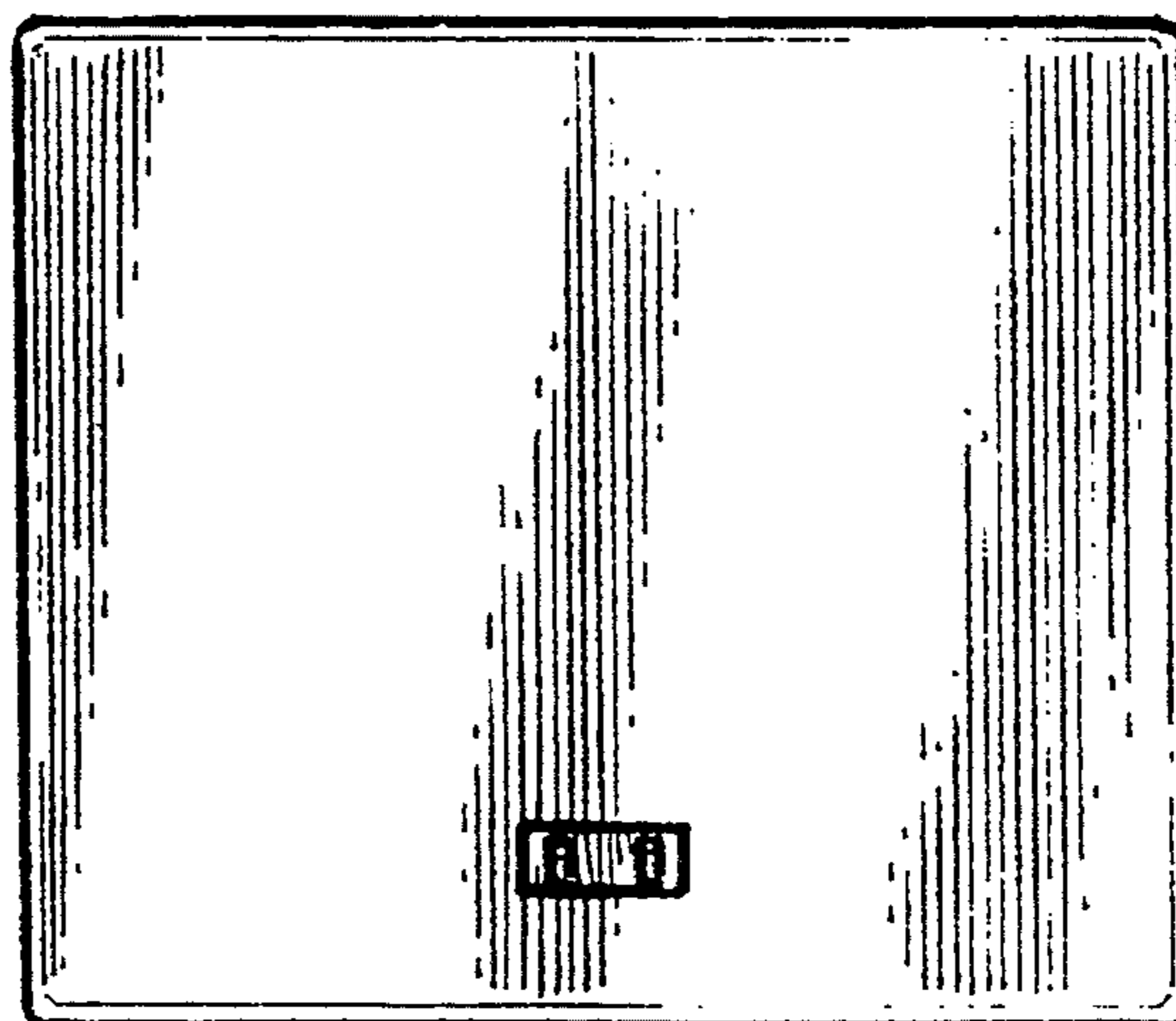


FIG. 4

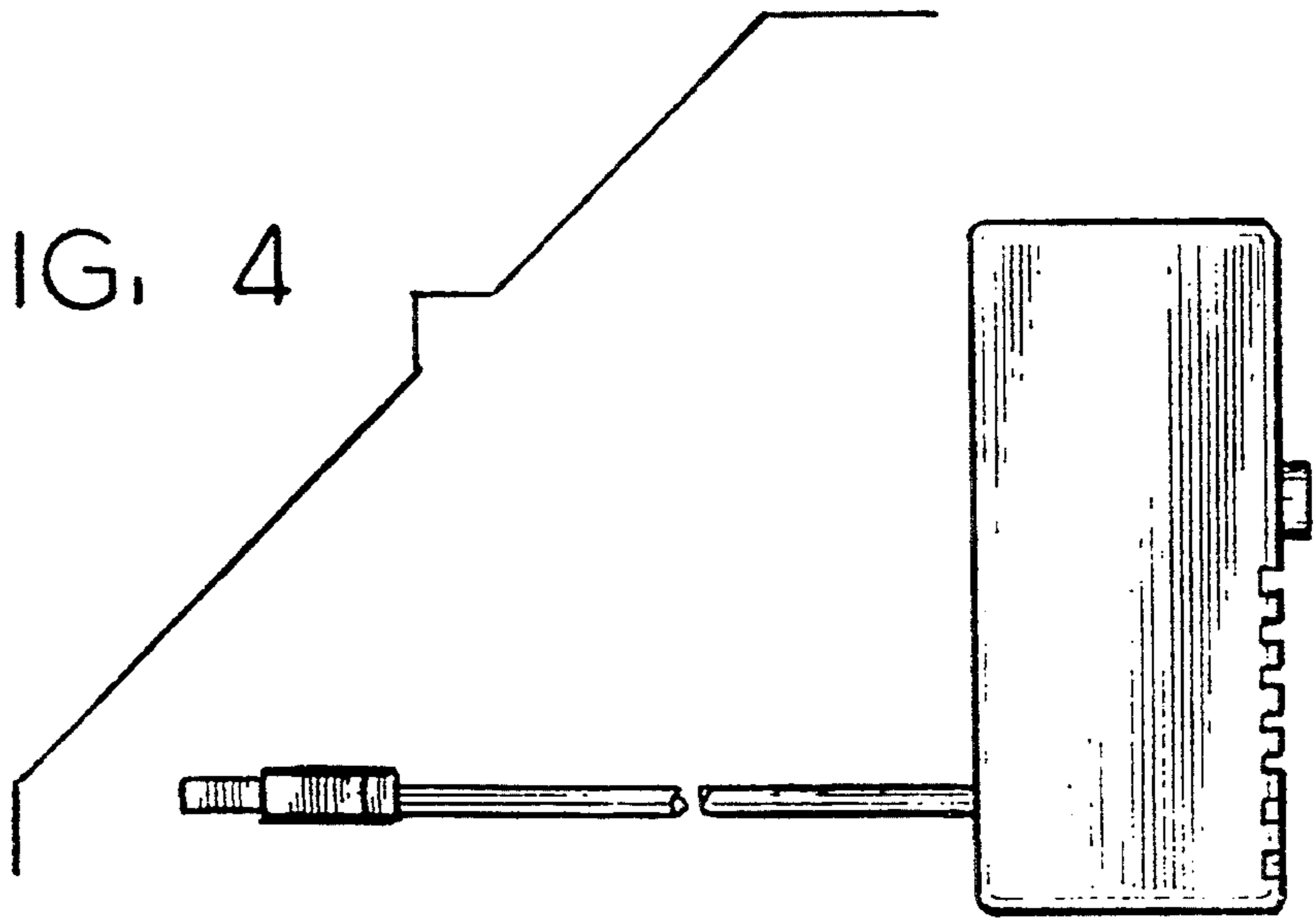


FIG. 5

