



US00D360135S

United States Patent [19]

[11] Patent Number: **Des. 360,135**

Balz

[45] Date of Patent: **** Jul. 11, 1995**

[54] BOTTLE FOR CHEMICAL CONCENTRATES

D. 287,226 12/1986 Lyons D9/528 X

[75] Inventor: Eric R. Balz, Eagan, Minn.

Primary Examiner—Lucy Lieberman
Attorney, Agent, or Firm—Merchant, Gould, Smith,
Edell, Welter & Schmidt

[73] Assignee: Ecolab Inc., St. Paul, Minn.

[**] Term: 14 Years

[57] CLAIM

[21] Appl. No.: 26,718

The ornamental design for a bottle for chemical concentrates, as shown and described.

[22] Filed: Aug. 4, 1994

DESCRIPTION

[52] U.S. Cl. D9/520; D9/528

[58] Field of Search D9/528, 520, 527, 523;
D23/202, 225, 226; 215/1 R, 1 C, 100 A;
220/771, 768; 222/372

FIG. 1 is a top, front and right side perspective view of a bottle for chemical concentrates showing my new design;

FIG. 2 is a right side elevation, the left side elevation is a mirror image thereto except for the conventional screw threading on the bottle neck;

FIG. 3 is a front elevational view thereof;

FIG. 4 is a rear elevational view thereof;

FIG. 5 is a top plan thereof; and,

FIG. 6 is a bottom view thereof.

[56] References Cited

U.S. PATENT DOCUMENTS

- D. 229,483 12/1973 Cutler D9/528
- D. 279,078 6/1985 Franchi D9/528
- D. 286,615 11/1986 Lyons D9/528 X

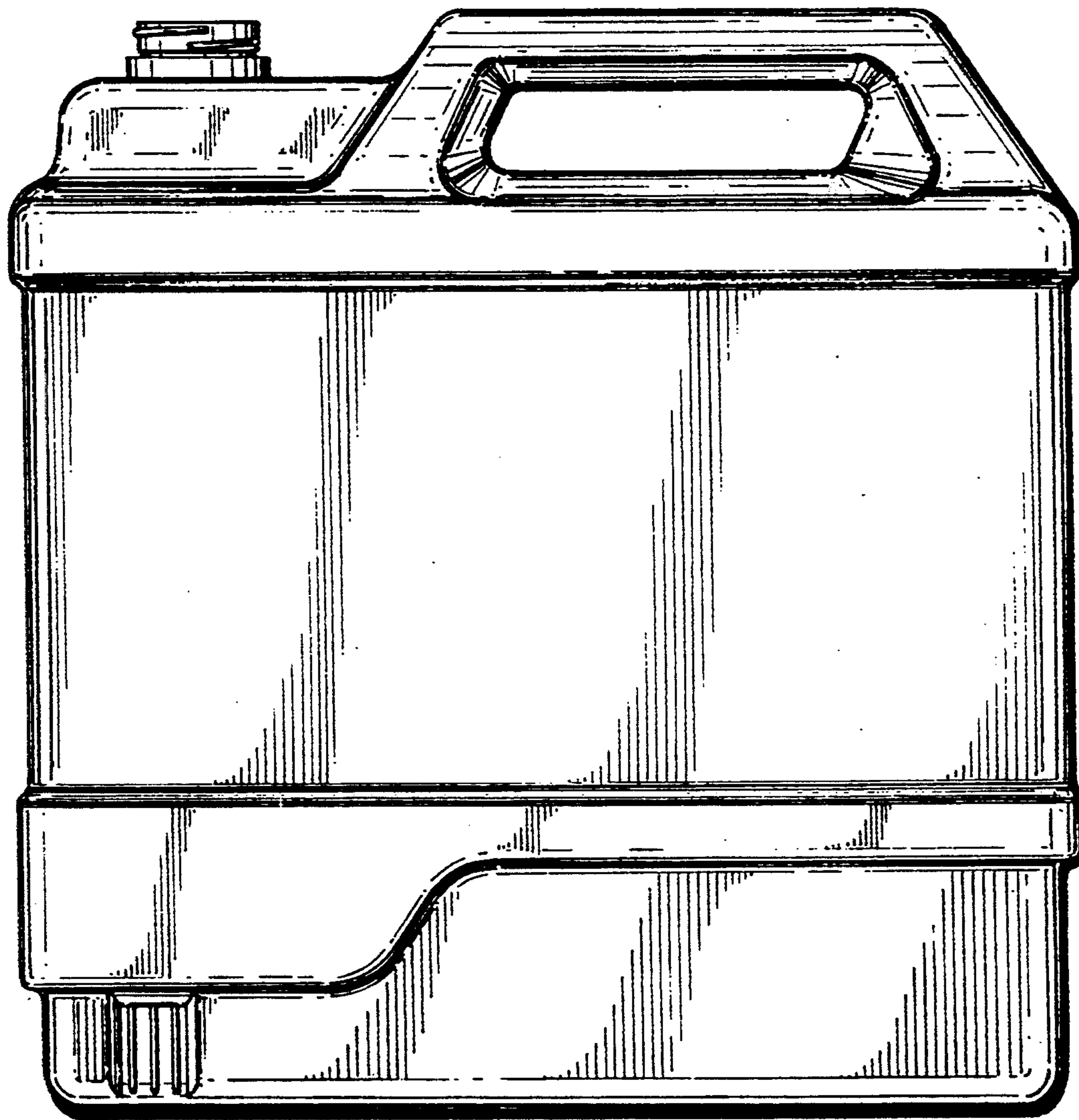


FIG. 1

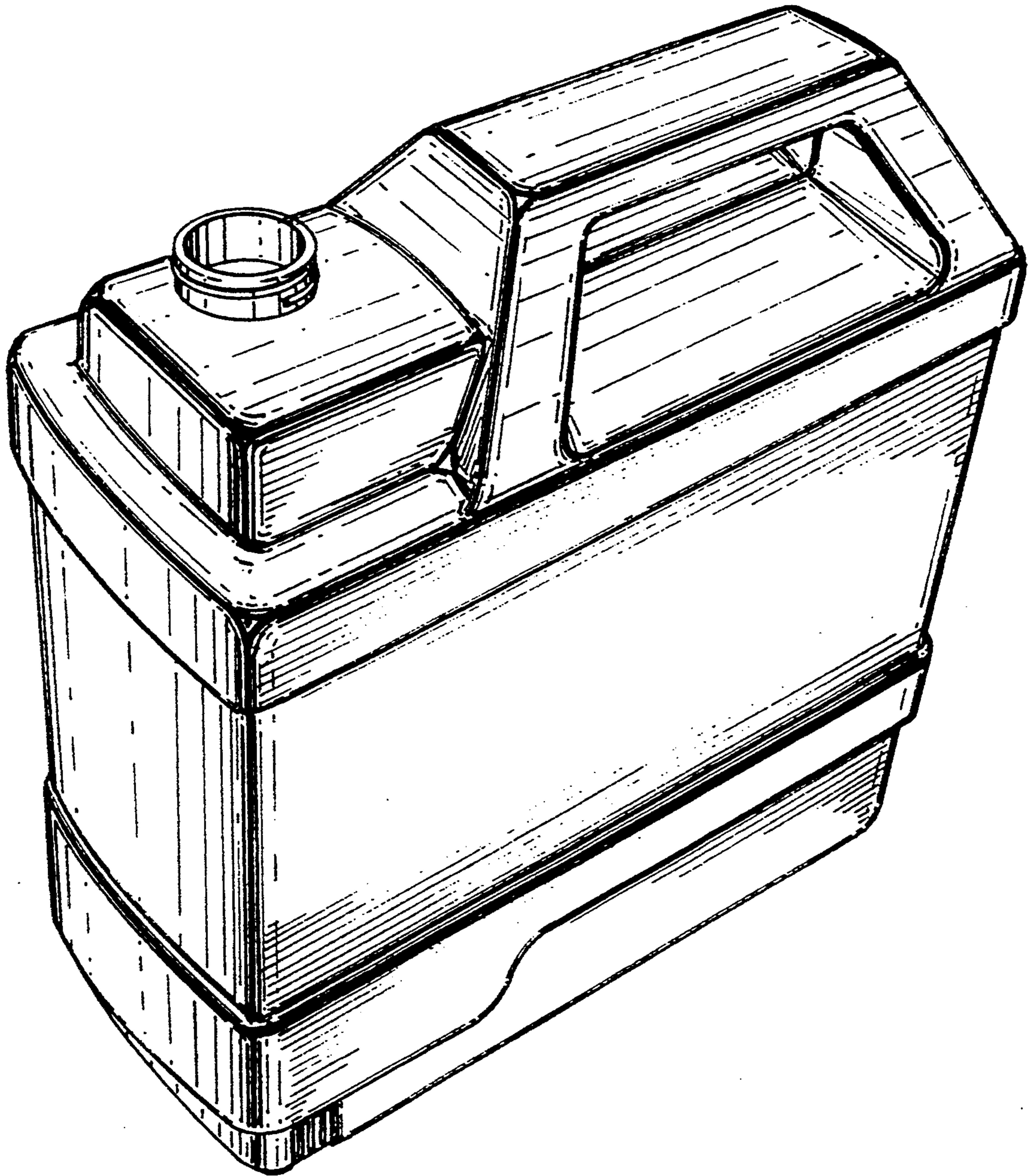


FIG. 2

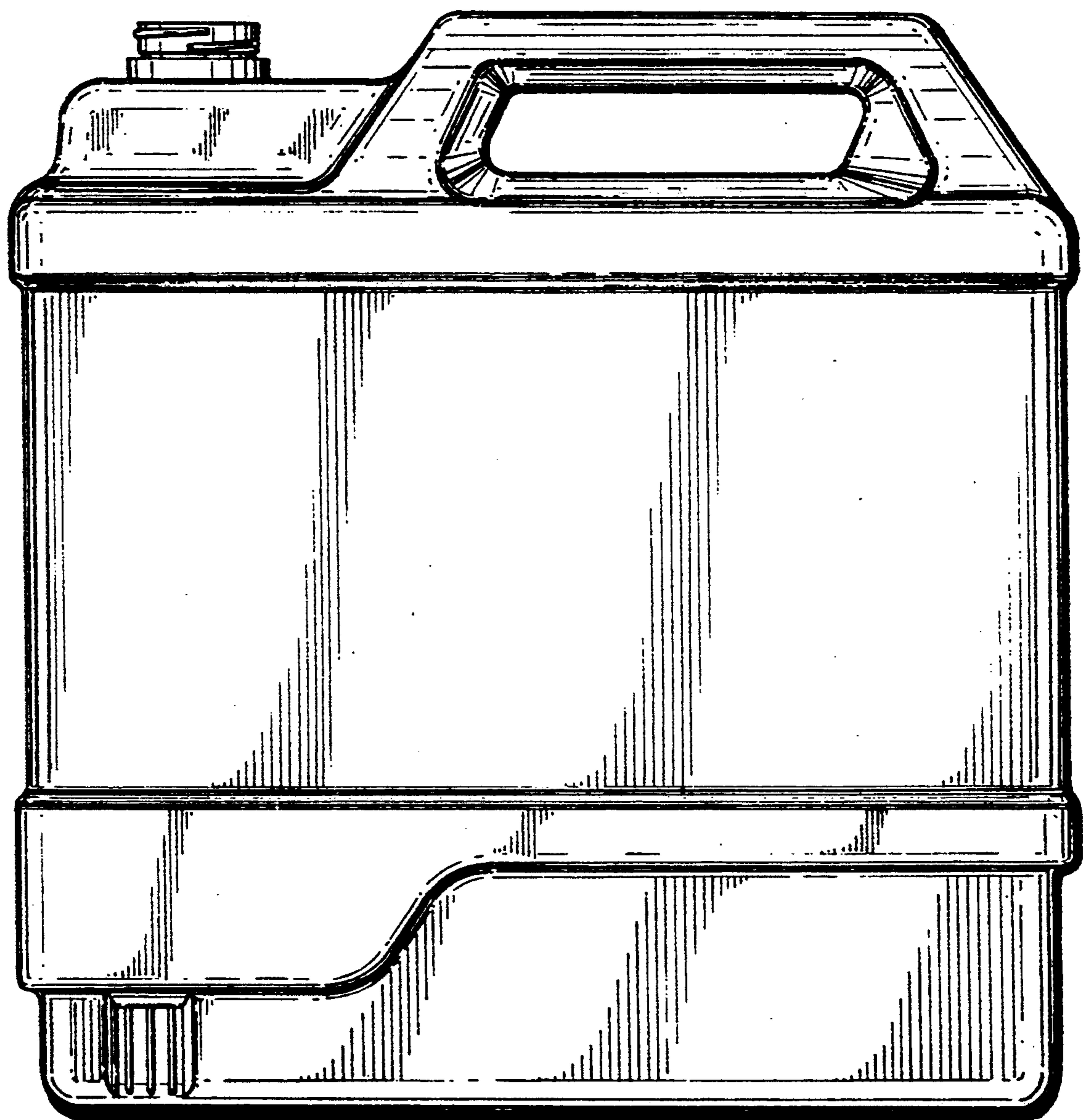


FIG. 3

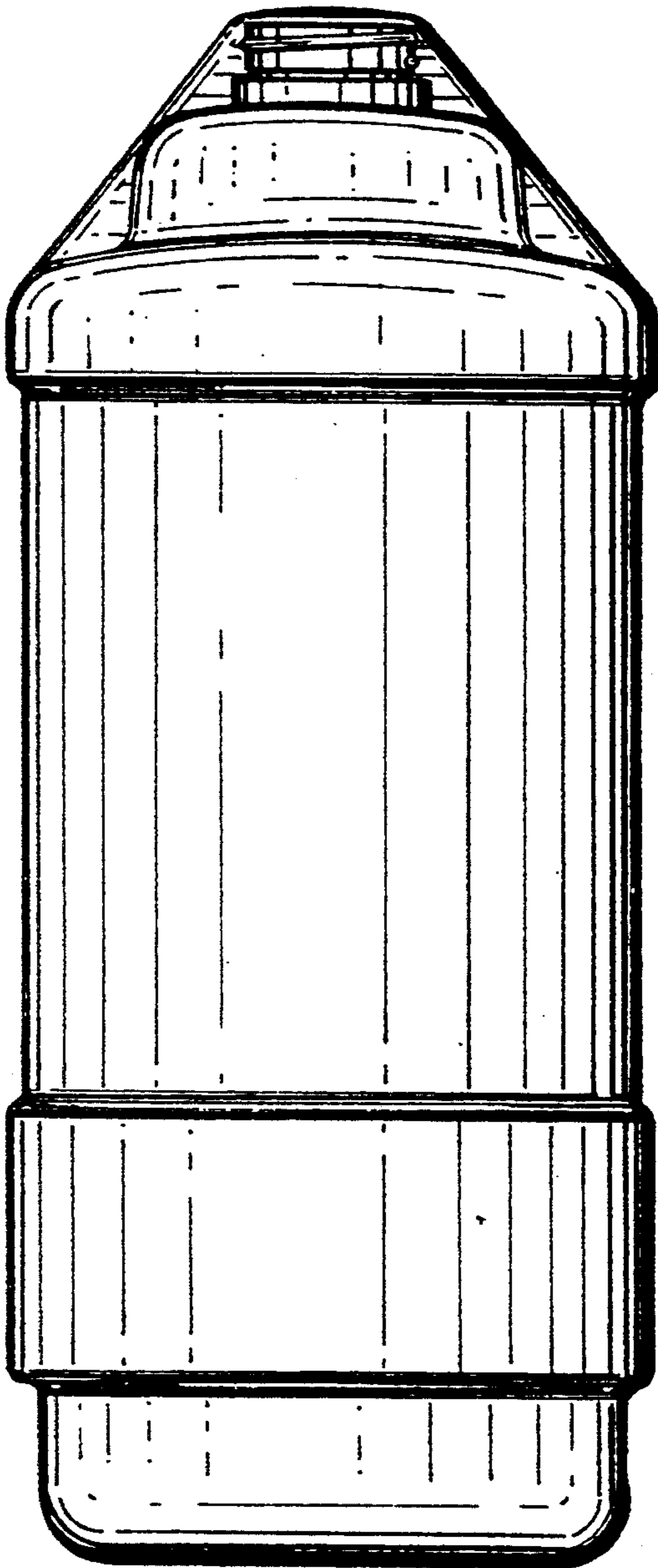


FIG. 4

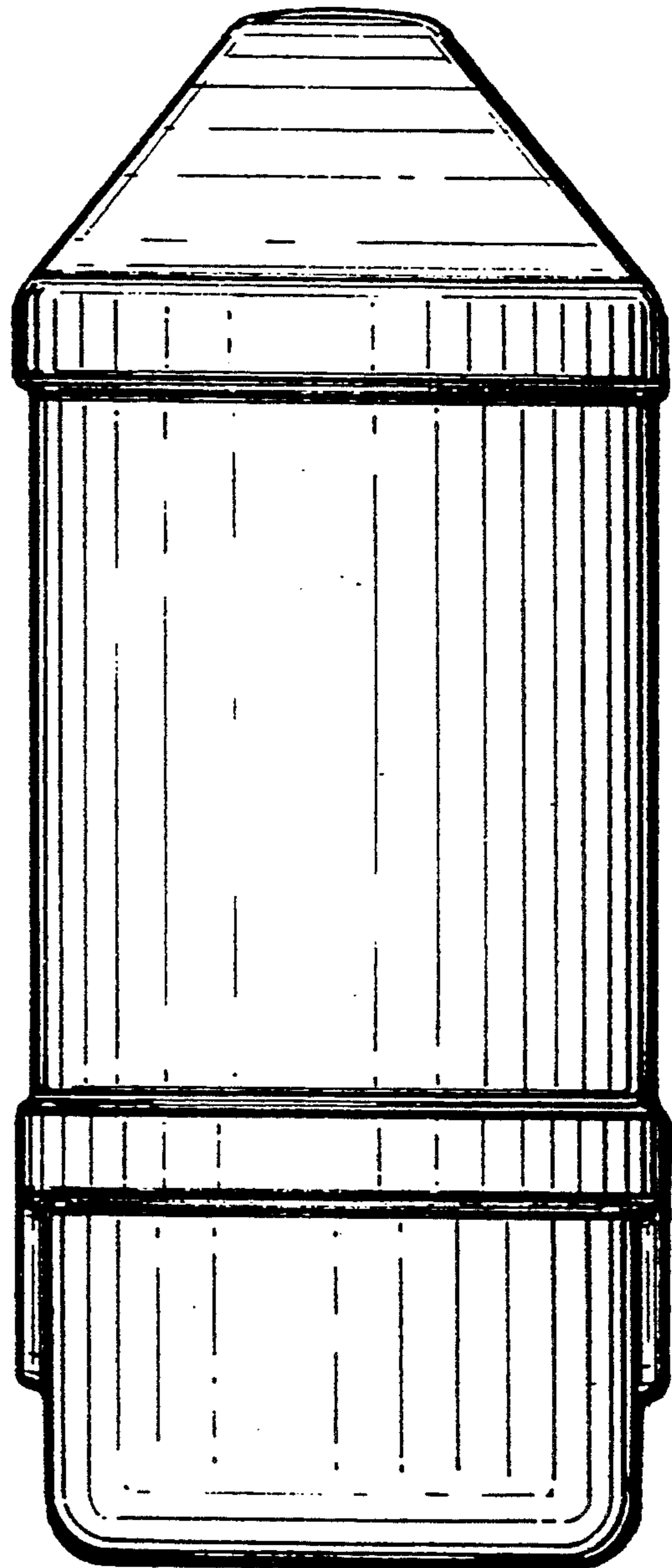


FIG.5

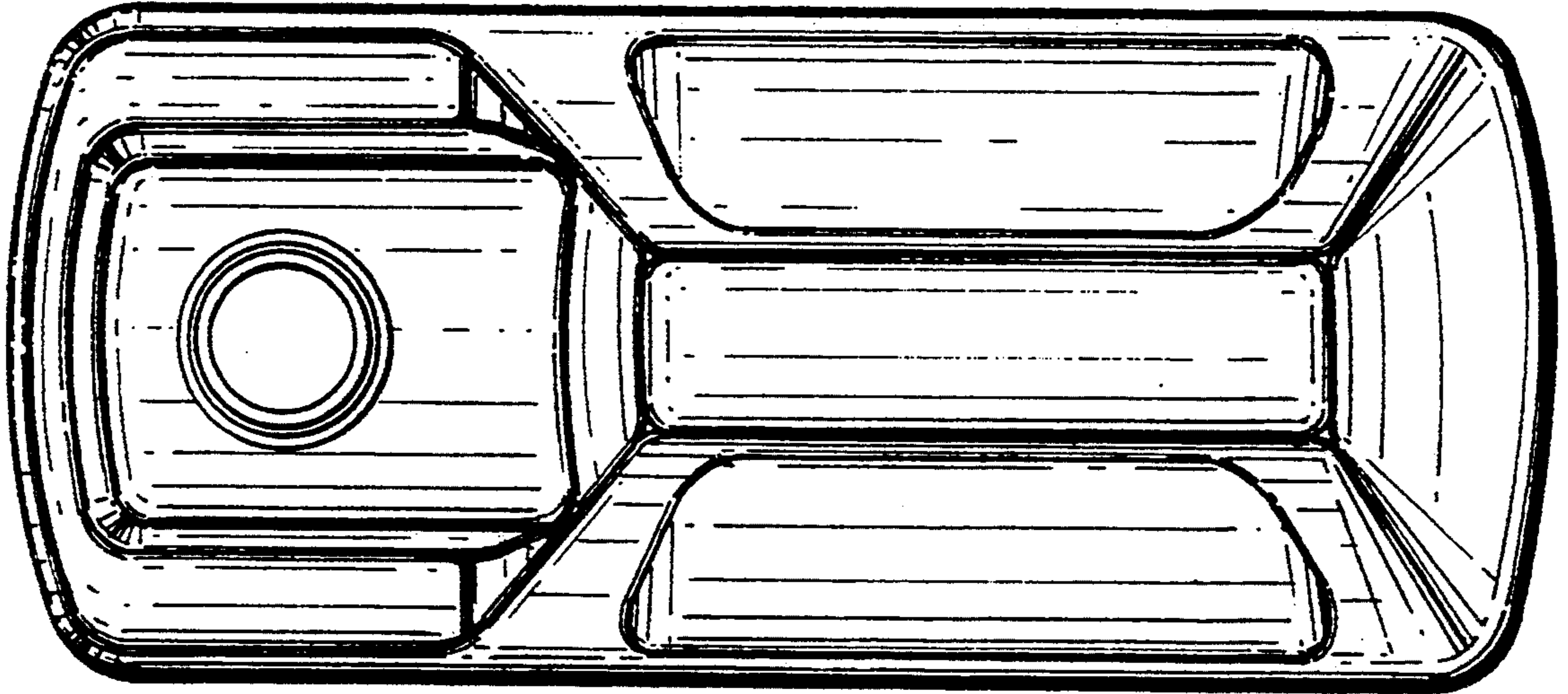


FIG.6

