



US00D360132S

United States Patent [19]
Ripley

[11] **Patent Number: Des. 360,132**
[45] **Date of Patent: ** Jul. 11, 1995**

[54] **DISPLAY PACKAGE**
[75] **Inventor: Richard E. Ripley, Attleboro, Mass.**
[73] **Assignee: Textron Inc., Providence, R.I.**
[**] **Term: 14 Years**
[21] **Appl. No.: 23,291**
[22] **Filed: May 23, 1994**

D. 342,895 1/1994 Mall D9/423
2,441,857 5/1948 Waterman 220/4.21
2,733,830 2/1956 Ruskin 220/338
3,365,056 1/1968 Mandel 206/301 X
3,918,577 11/1975 Horzick 206/45.34

OTHER PUBLICATIONS

Packaging 1959, p. 215, as shown by arrow.
Primary Examiner—Prabhakar G. Deshmukh
Attorney, Agent, or Firm—Samuels, Gauthier & Stevens

Related U.S. Application Data

[63] Continuation of Ser. No. 120,587, Sep. 13, 1993, Pat. No. 5,358,134.
[52] **U.S. Cl. D9/423**
[58] **Field of Search D9/420-423, D9/424, 418, 341, 432; 206/45.31, 45.34, 45.19, 301, 470; 220/337, 338, 306, 307, 4.21, 324, 326, 340; D3/201, 219, 242, 243, 263-266, 294; D28/77, 83**

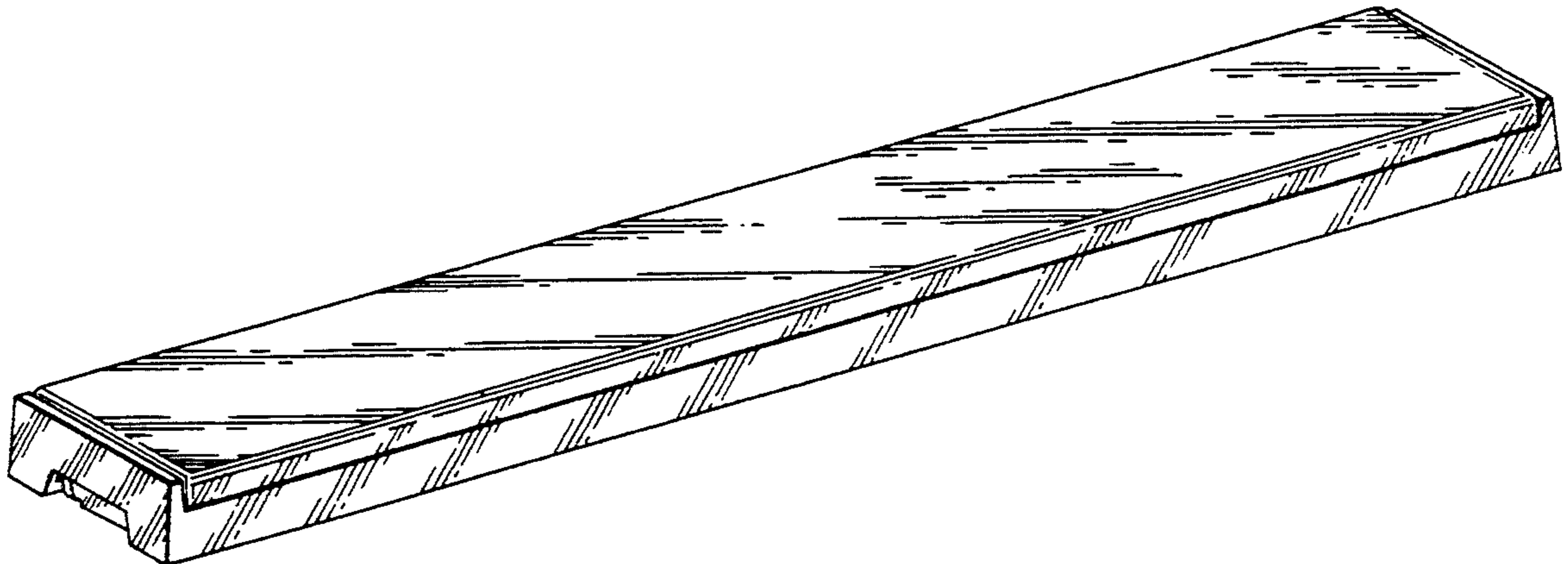
[57] **CLAIM**

The ornamental design for a display package, as shown and described.

DESCRIPTION

FIG. 1 is a perspective view of a display package showing my new design;
FIG. 2 is a top plan view thereof;
FIG. 3 is a front elevational view, the back elevational view being a mirror image thereof;
FIG. 4 is a bottom plan view thereof;
FIG. 5 is a left side elevational view thereof;
FIG. 6 is a right side elevational view thereof; and,
FIG. 7 is a front elevational view thereof, in which the display package is in an opened position.

[56] **References Cited**
U.S. PATENT DOCUMENTS
D. 107,792 1/1938 Rathbun D9/424
D. 265,977 8/1982 Strongwater D9/424



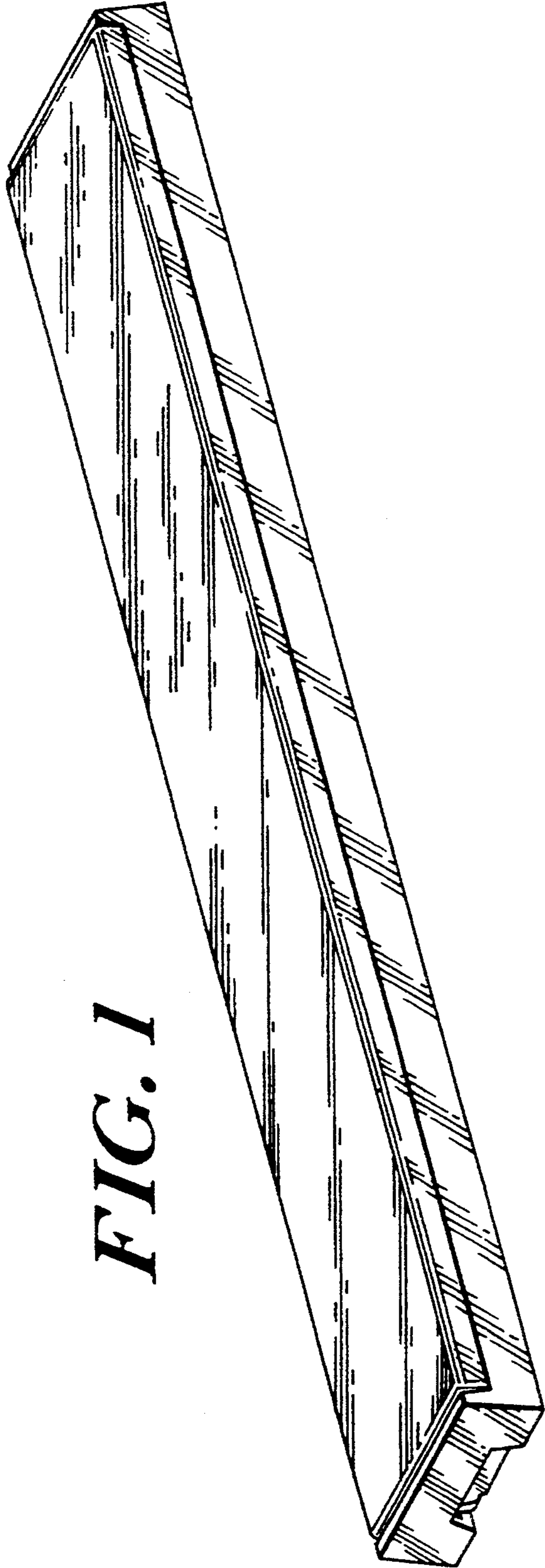


FIG. 1

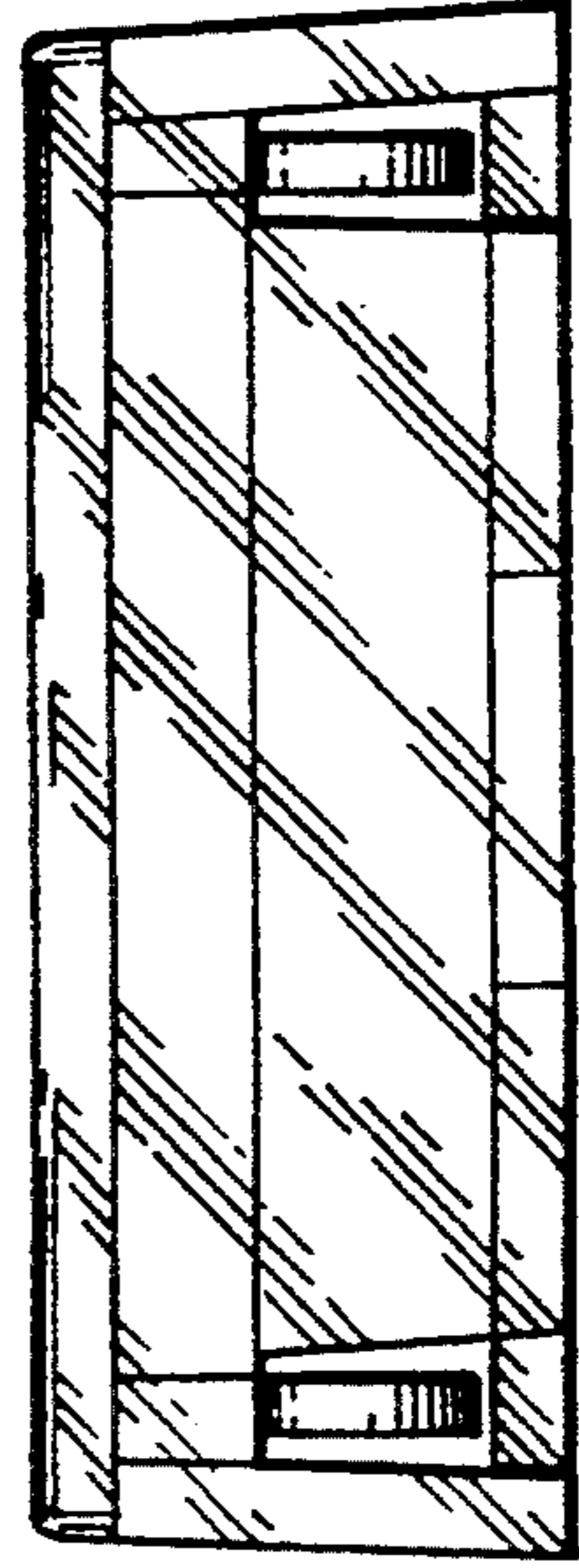


FIG. 6

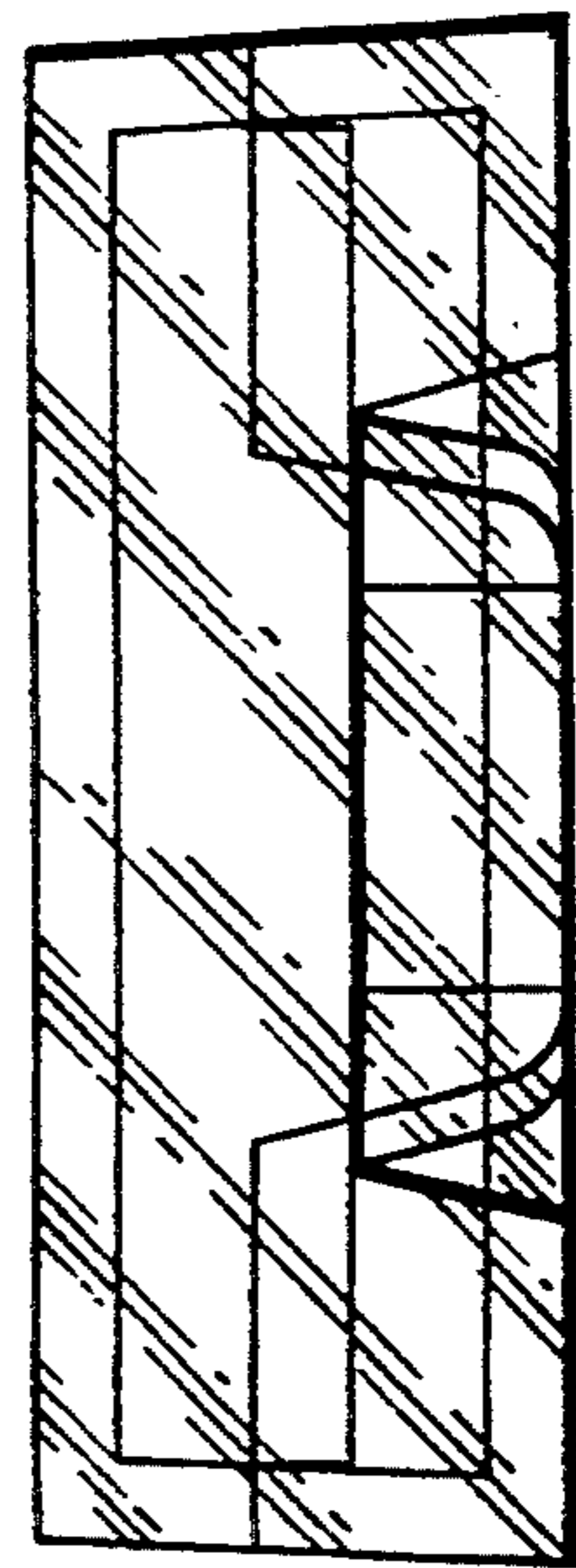


FIG. 5

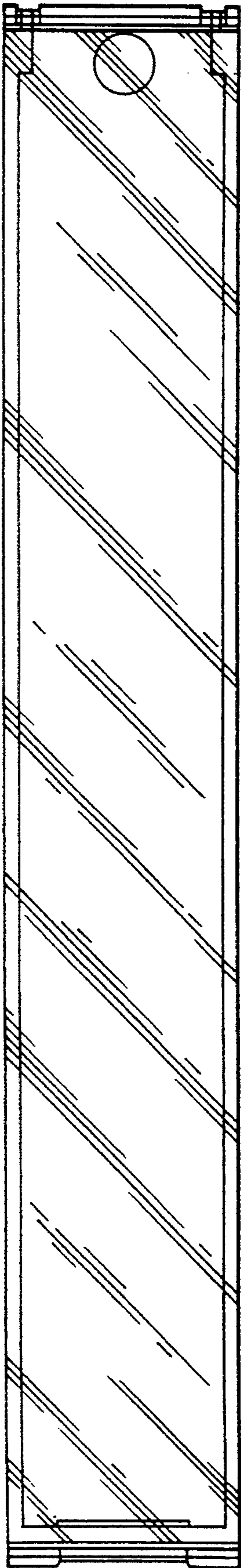


FIG. 2



FIG. 3

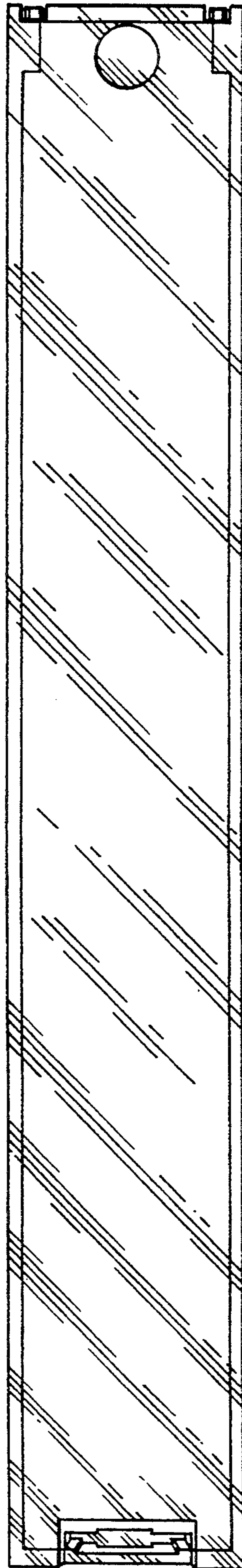


FIG. 4

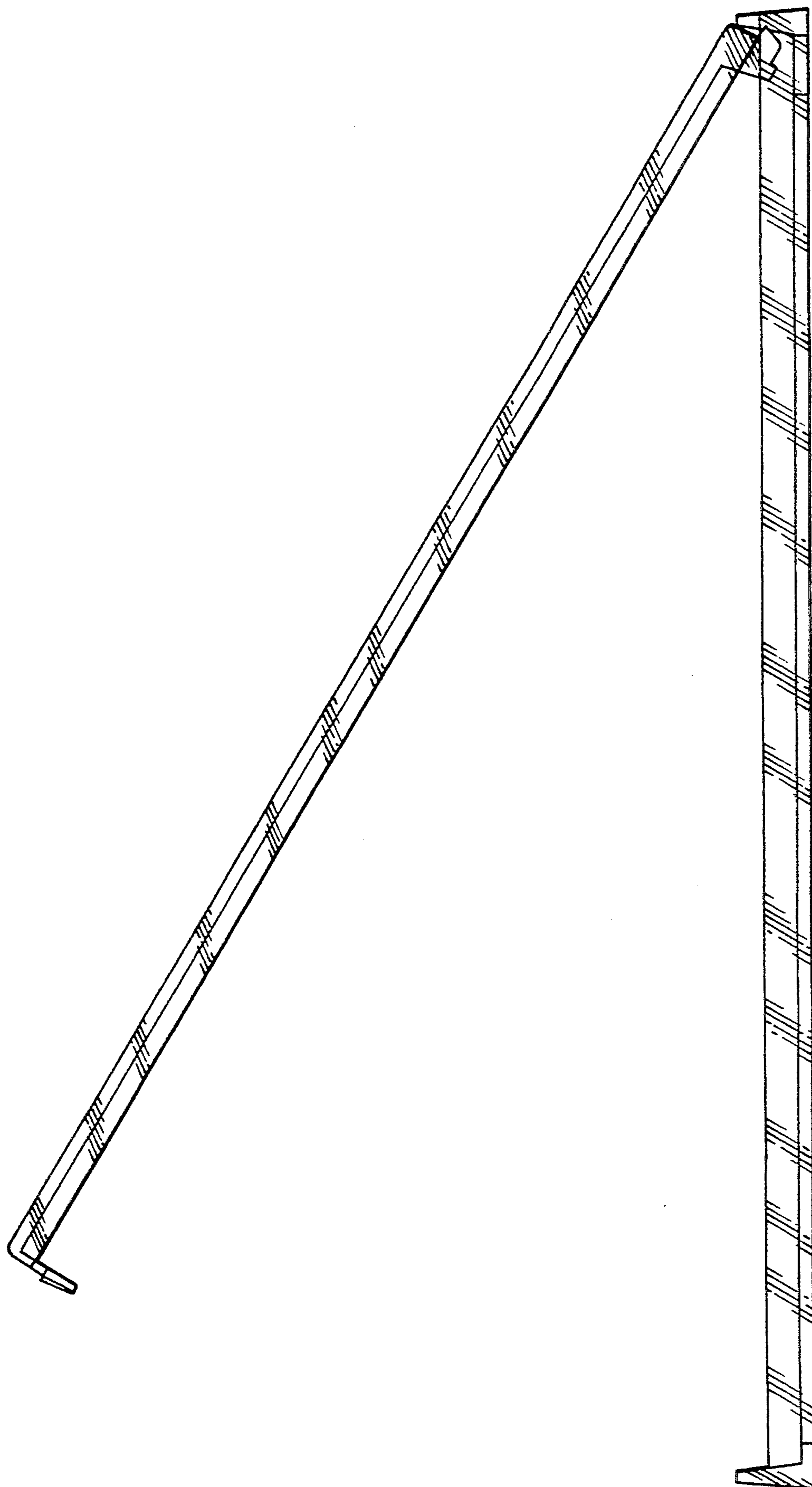


FIG. 7