



US00D360131S

United States Patent [19]

[11] Patent Number: **Des. 360,131**

Tudor

[45] Date of Patent: **** Jul. 11, 1995**

[54] **CARTON**

[75] Inventor: **Thomas T. Tudor**, Macon, Ga.

[73] Assignee: **Brown & Williamson Tobacco Corporation**, Louisville, Ky.

[**] Term: **14 Years**

[21] Appl. No.: **21,048**

[22] Filed: **Apr. 8, 1994**

[52] U.S. Cl. **D9/418; D9/432**

[58] Field of Search **D9/418, 432, 424, 337, D9/414, 341; 229/162, 243, 904; 206/45.31, 45.34, 521.1; D21/108, 114**

4,127,228 11/1978 Hall 229/162 X

FOREIGN PATENT DOCUMENTS

4124452 2/1992 Germany 229/161

OTHER PUBLICATIONS

Modern Packaging, 1954, p. 214, as circled.

Primary Examiner—Prabhakar G. Deshmukh
Attorney, Agent, or Firm—Charles I. Sherman

[57] CLAIM

The ornamental design for a carton, as shown and described.

[56] References Cited

U.S. PATENT DOCUMENTS

D. 52,562	10/1918	Dickmeyer	D9/418
D. 229,170	11/1973	Schipper et al.	D9/418
D. 329,199	9/1992	Corso	D9/418 X
1,198,032	9/1916	Henze	229/162 X
2,532,857	12/1950	Ricciardi	229/162 X
2,973,127	2/1961	Royce	206/521.1
3,168,952	2/1965	Palmer	206/45.34
3,561,757	2/1971	Schillig	472/116 X

DESCRIPTION

FIG. 1 is a front perspective view of a carton showing my new design;

FIG. 2 is a rear perspective view thereof;

FIG. 3 is a top plan view thereof;

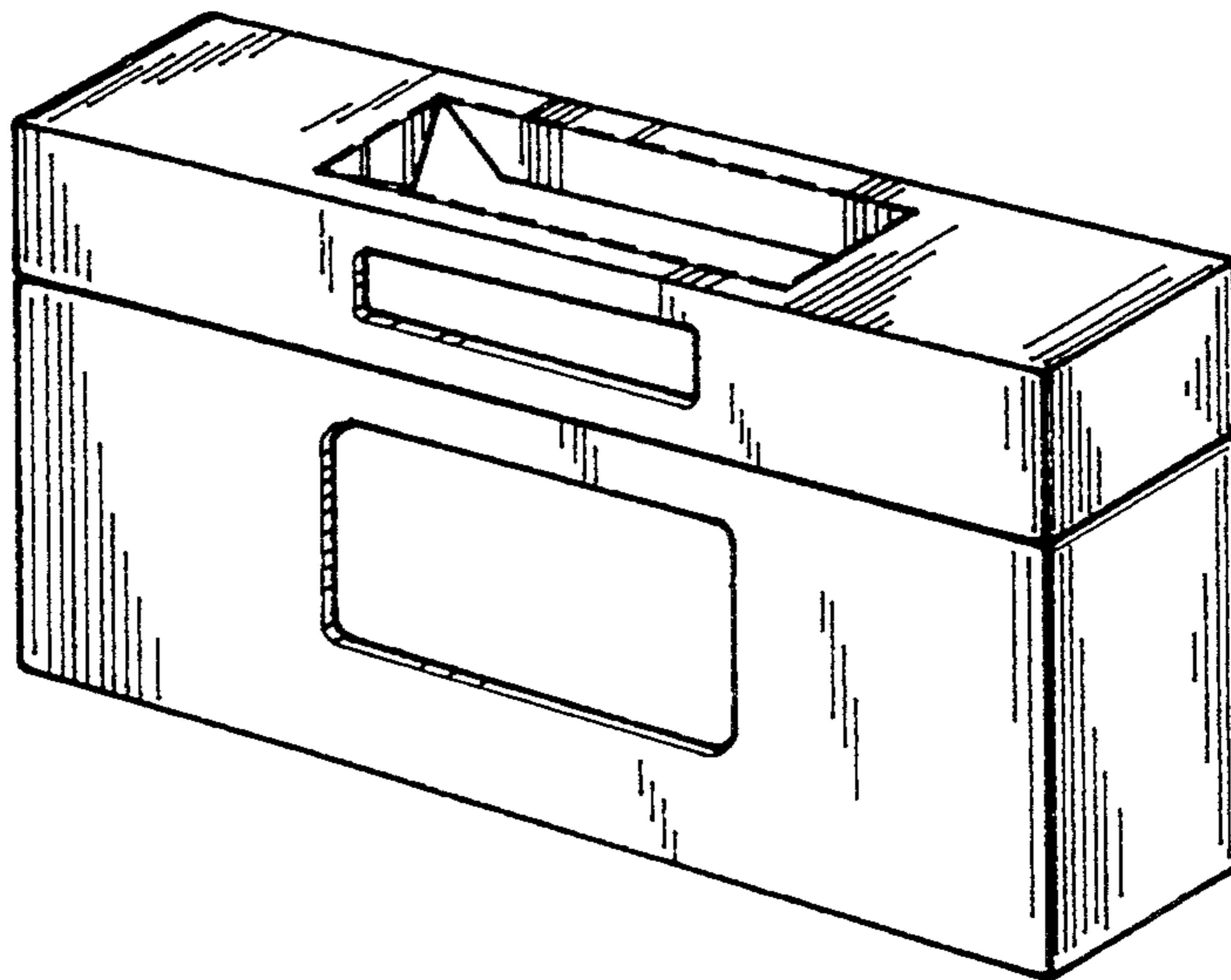
FIG. 4 is a left side elevational view thereof;

FIG. 5 is a front elevational view thereof;

FIG. 6 is a right side elevational view thereof;

FIG. 7 is a bottom plan view thereof; and,

FIG. 8 is a rear elevational view thereof.



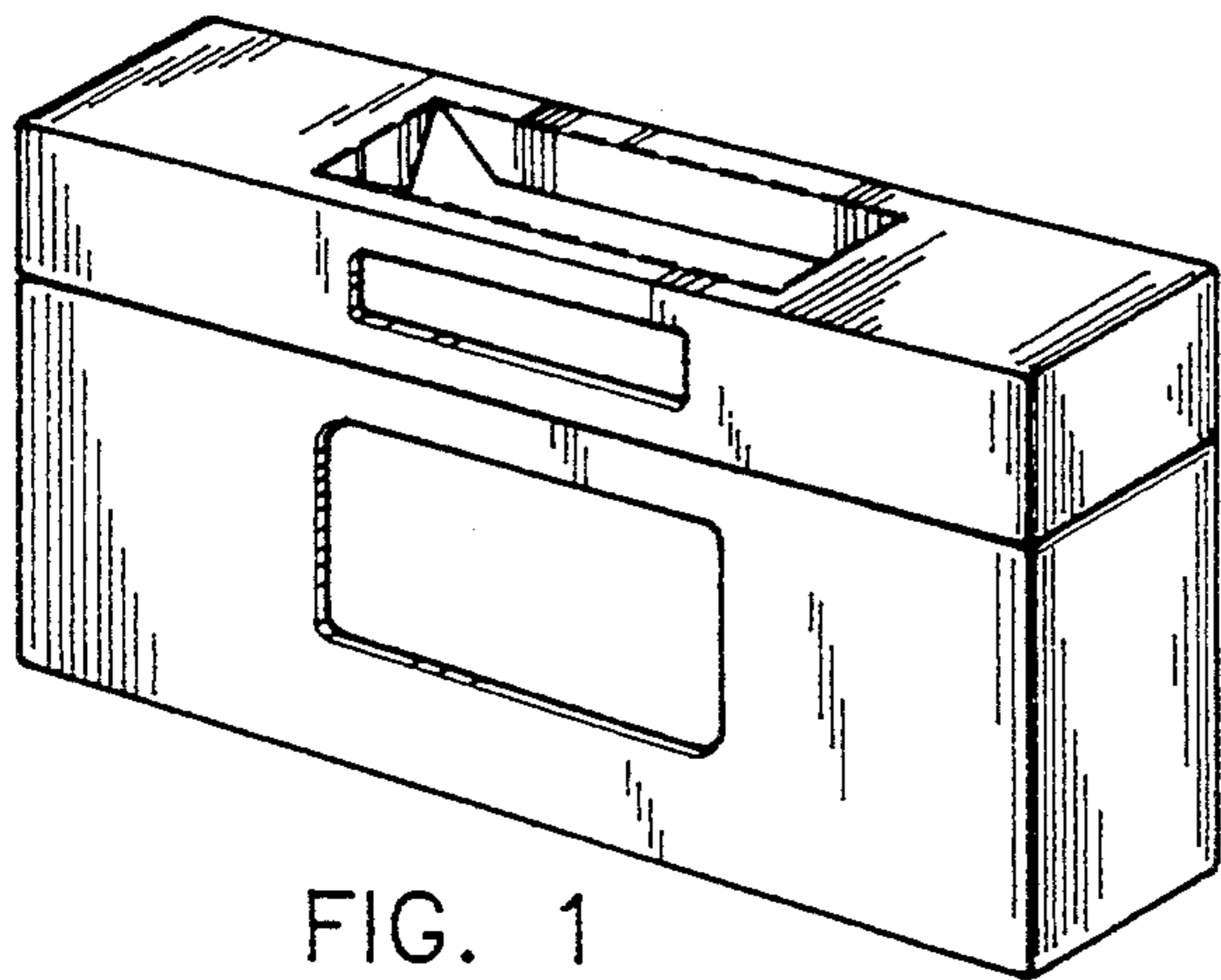


FIG. 1

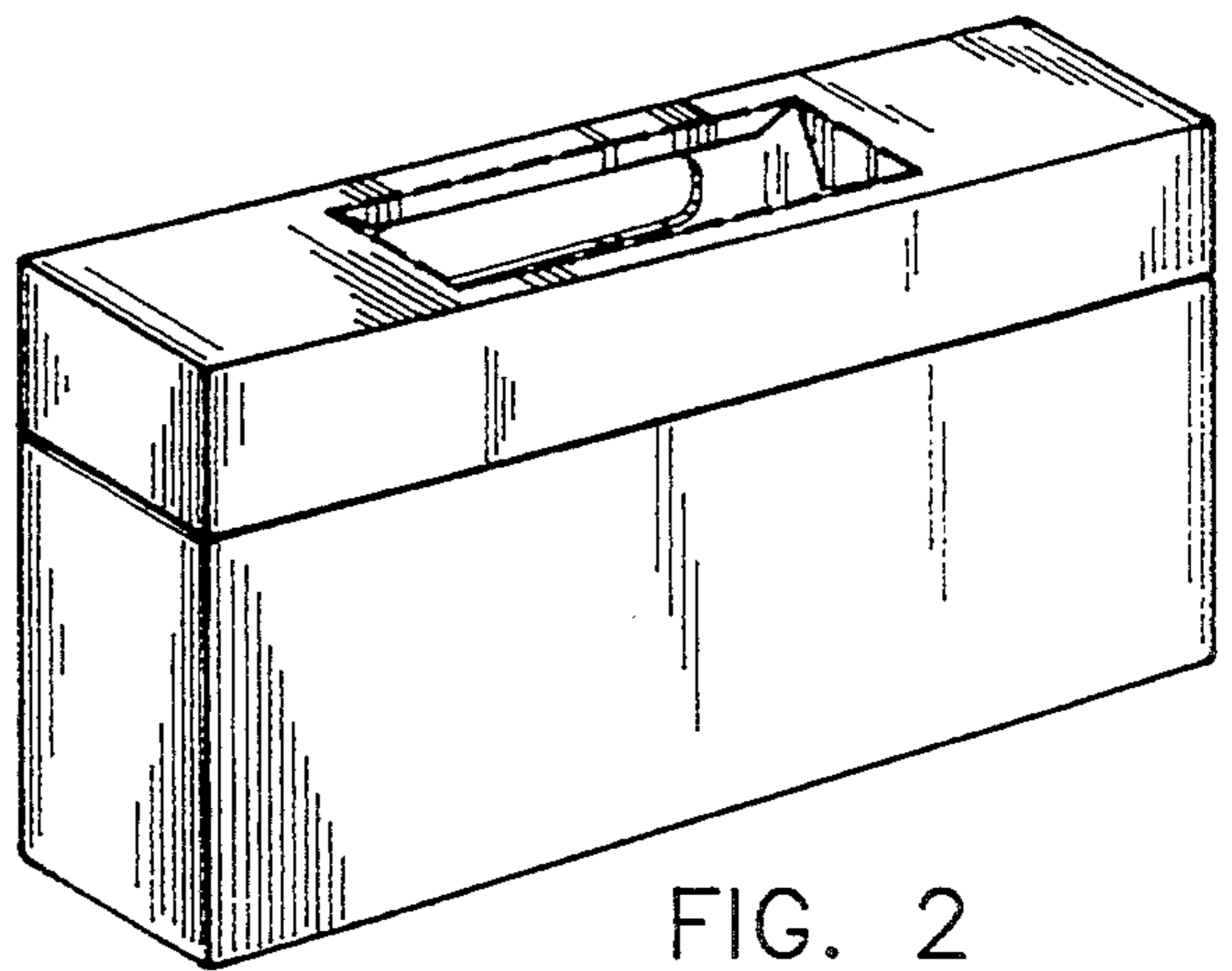


FIG. 2

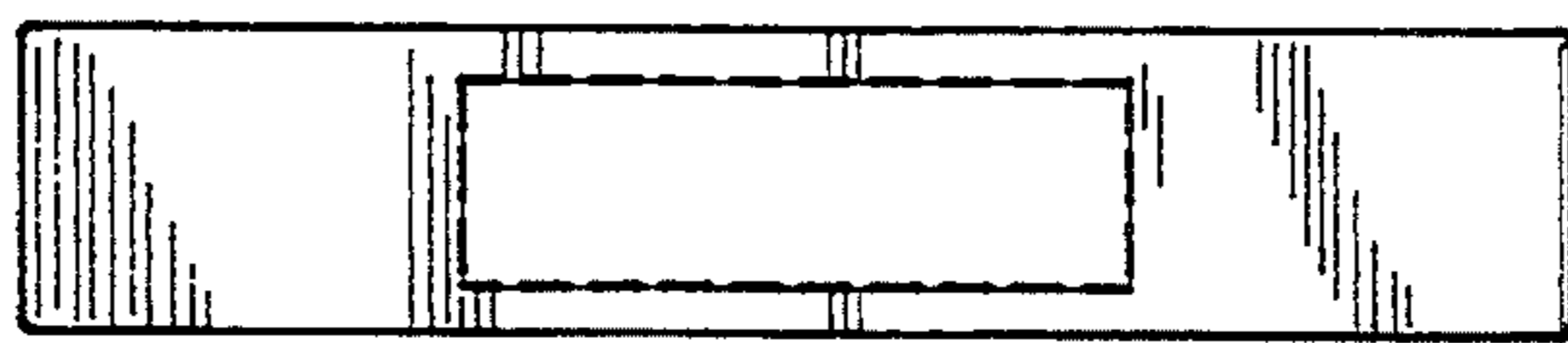


FIG. 3

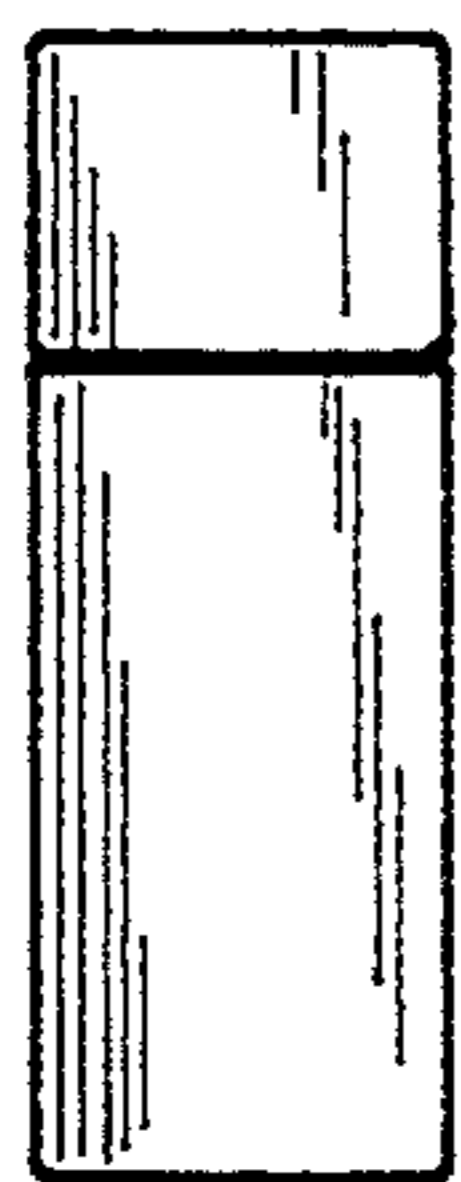


FIG. 4

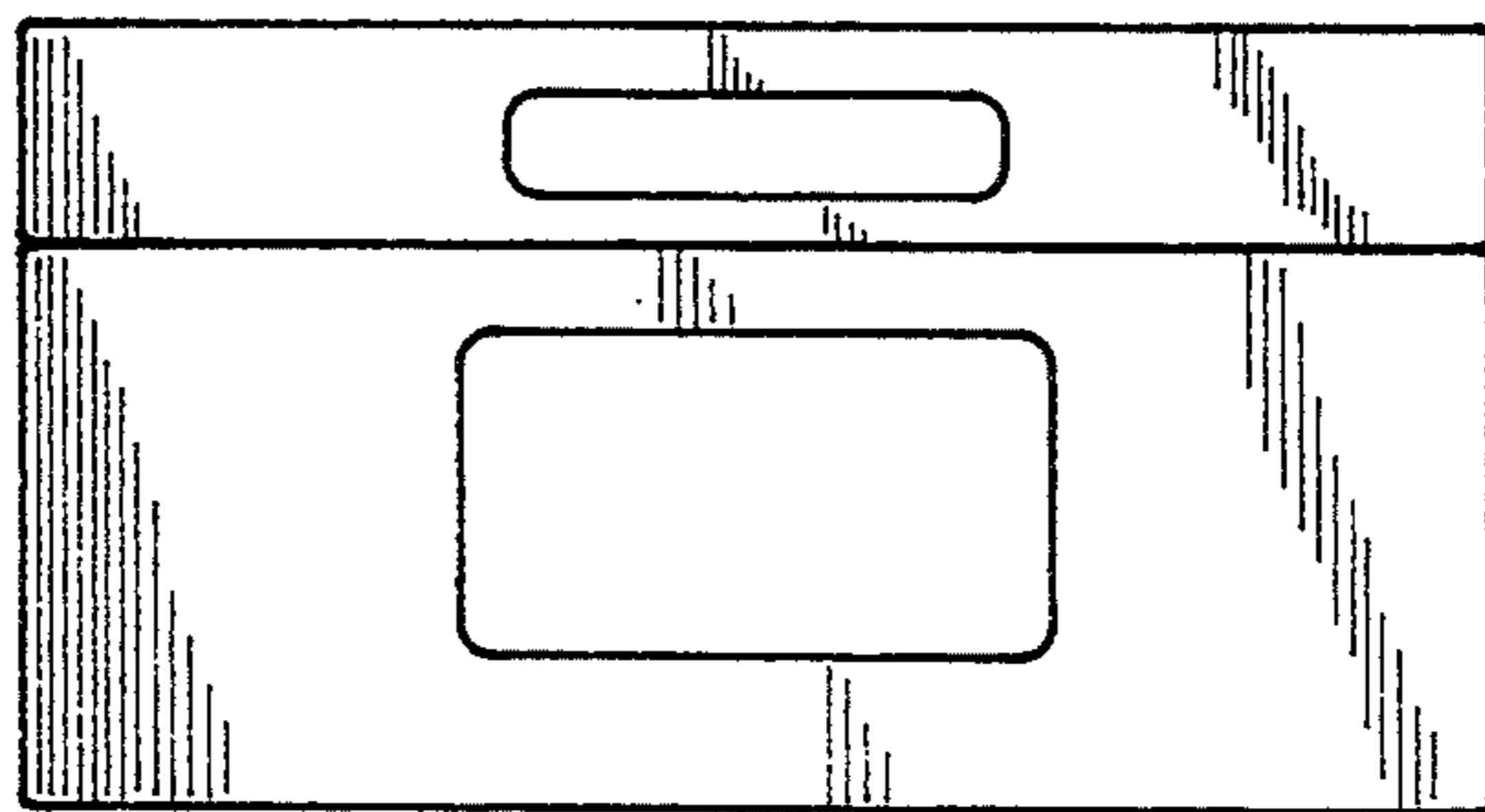


FIG. 5



FIG. 6

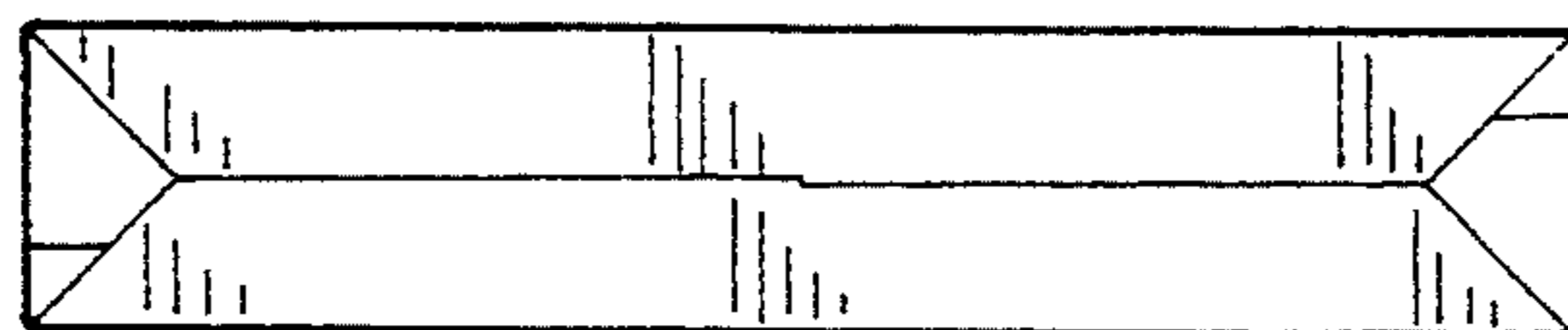


FIG. 7

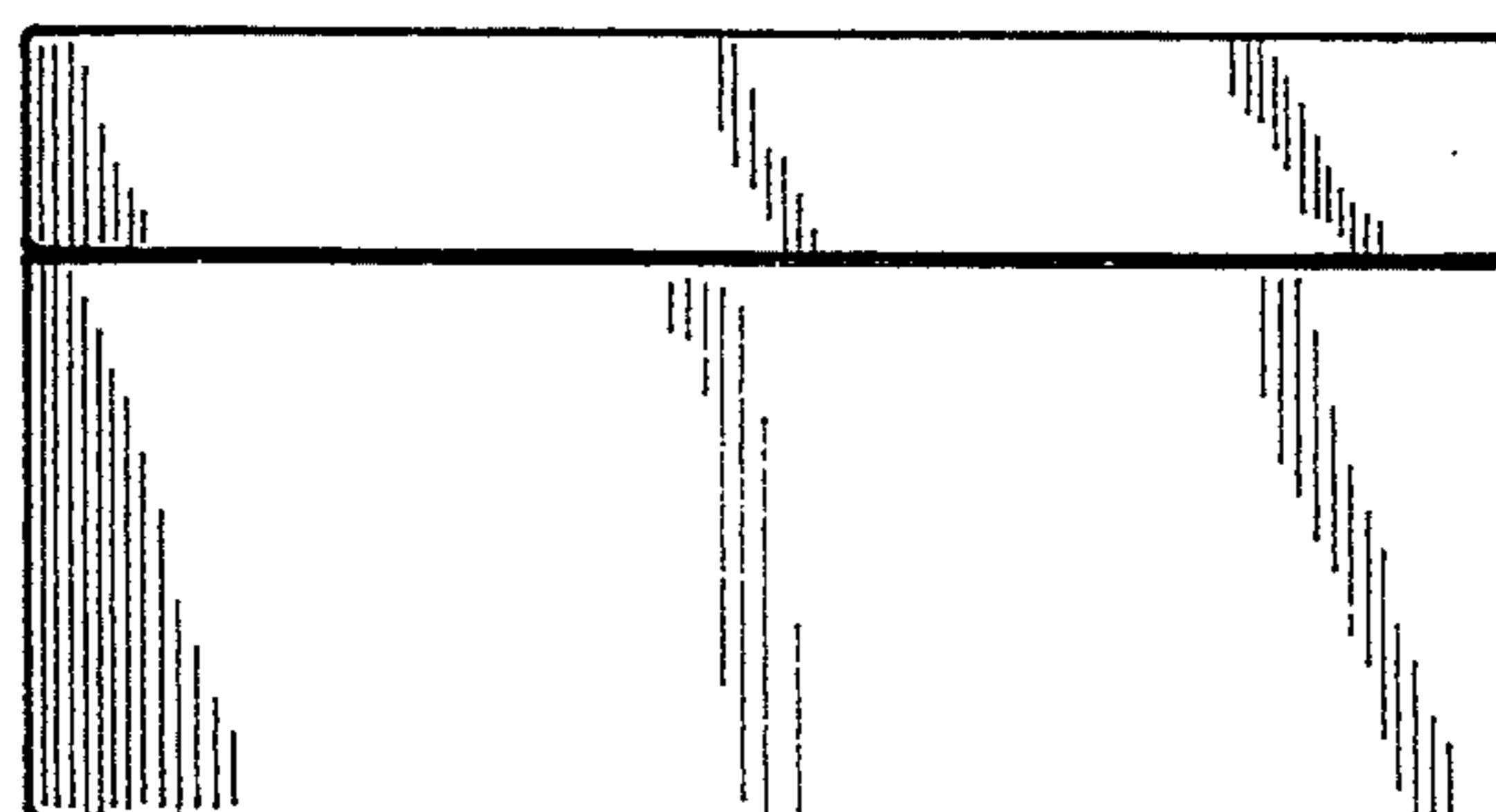


FIG. 8