



US00D360128S

United States Patent [19]

Huffine

[11] Patent Number: **Des. 360,128**

[45] Date of Patent: **** Jul. 11, 1995**

[54] **FIRE HOSE GRIPPING CLAMP**
[76] Inventor: **William W. Huffine**, 775 New Center Church Rd., Shelbyville, Tenn. 37160

3,953,058	4/1976	Soblesky	285/320 X
4,137,793	2/1979	Sowell	24/270 X
4,187,913	2/1980	Wilcox	248/80
4,470,177	9/1984	Ganung	248/80
4,575,142	3/1986	Parker	294/15

[**] Term: **14 Years**

Primary Examiner—Terry A. Wallace
Assistant Examiner—Nanda Bondade
Attorney, Agent, or Firm—Terry M. Gernstein

[21] Appl. No.: **9,595**

[22] Filed: **Jun. 18, 1993**

[52] U.S. Cl. **D8/396**

[58] Field of Search D8/394, 396; 24/270, 24/273, 280; 169/51; 239/282; 248/75, 76, 80; 285/61, 162, 320, 419; 294/15, 16

[57] **CLAIM**

The ornamental design for a fire hose gripping clamp, as shown and described.

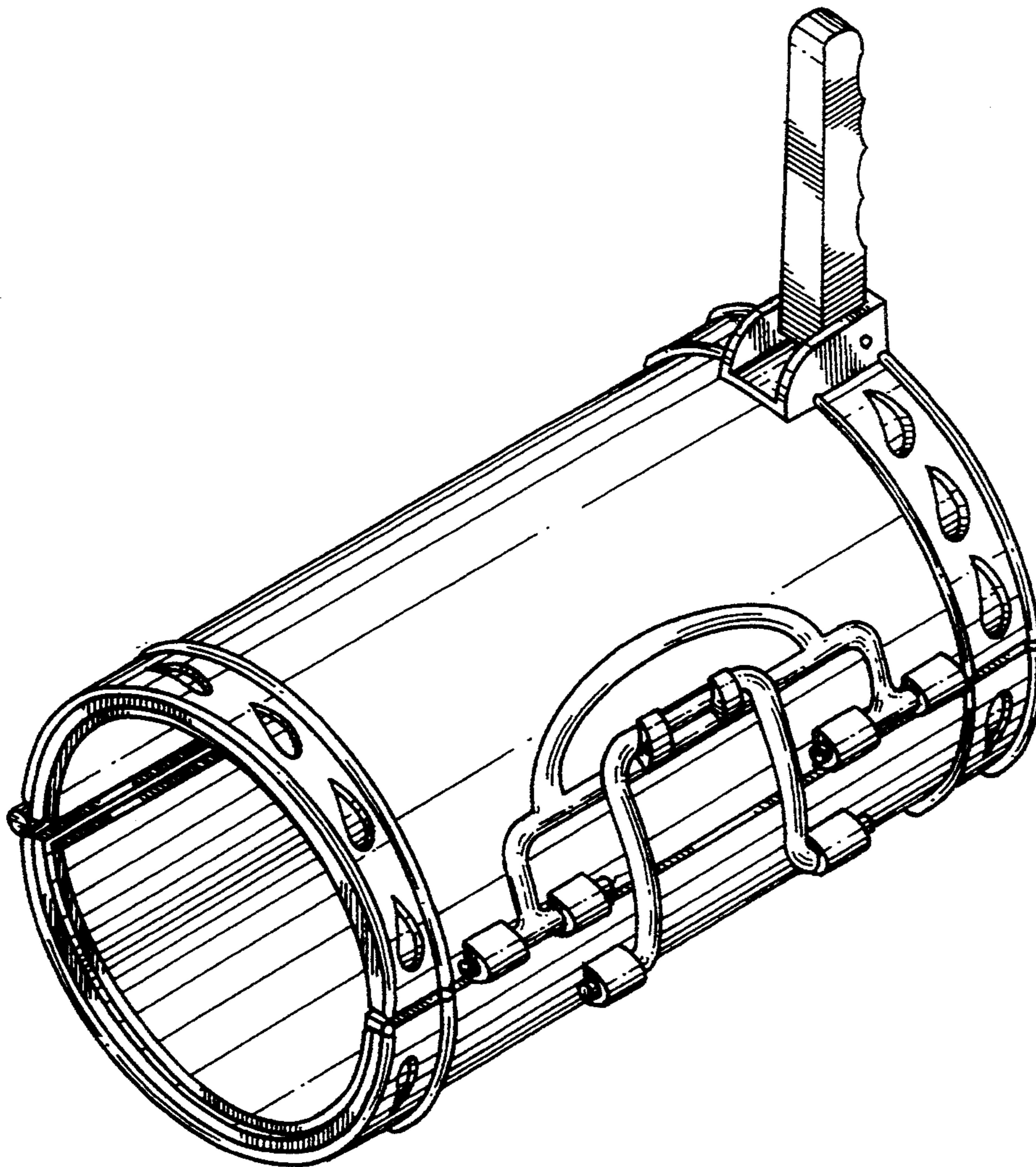
DESCRIPTION

FIG. 1 is a front, top and side perspective view of the fire hose gripping clamp showing my new design; FIG. 2 is a front elevational view thereof; FIG. 3 is a rear elevational view thereof; FIG. 4 is a side elevational view thereof; FIG. 5 is a side elevational view thereof; FIG. 6 is a top plan view thereof; and, FIG. 7 is a bottom plan view thereof.

[56] **References Cited**

U.S. PATENT DOCUMENTS

629,315	7/1899	Dorticus	24/273
1,024,779	4/1912	Hopkins	24/273
2,677,558	5/1954	Cornelius	285/61 X
3,012,731	12/1961	Williams	248/80
3,564,671	2/1971	Straus	24/270



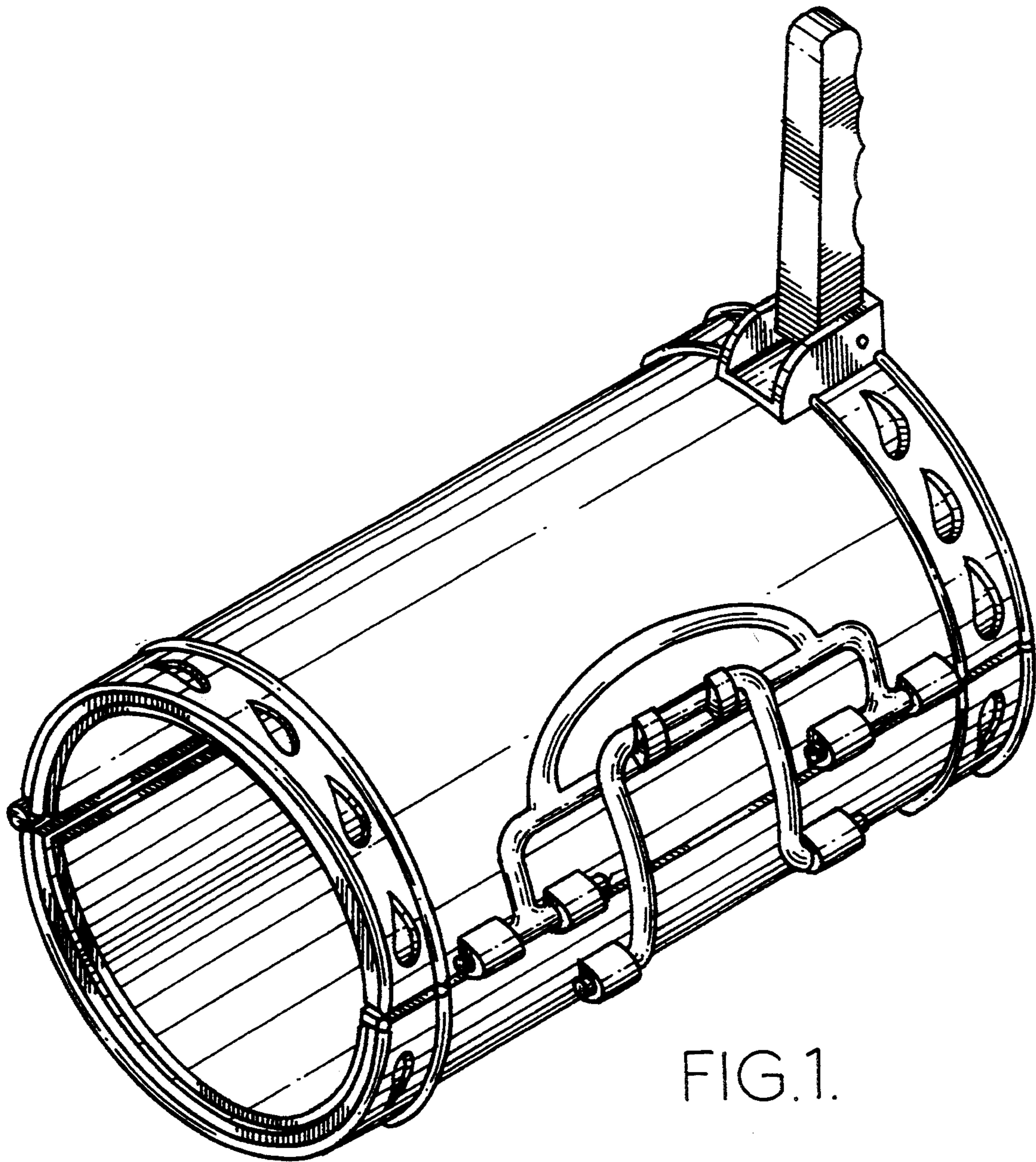


FIG. 1.

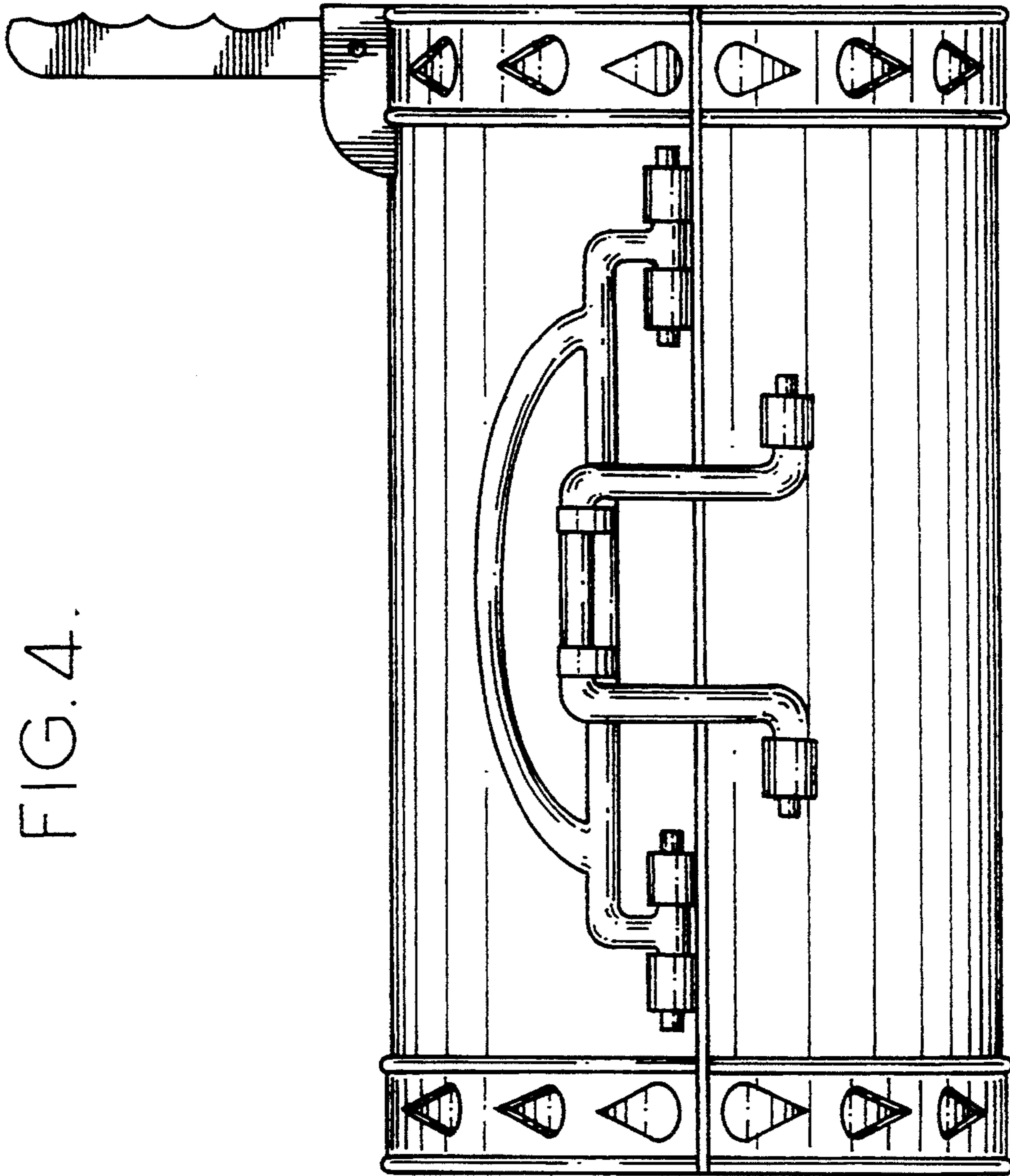


FIG. 4.

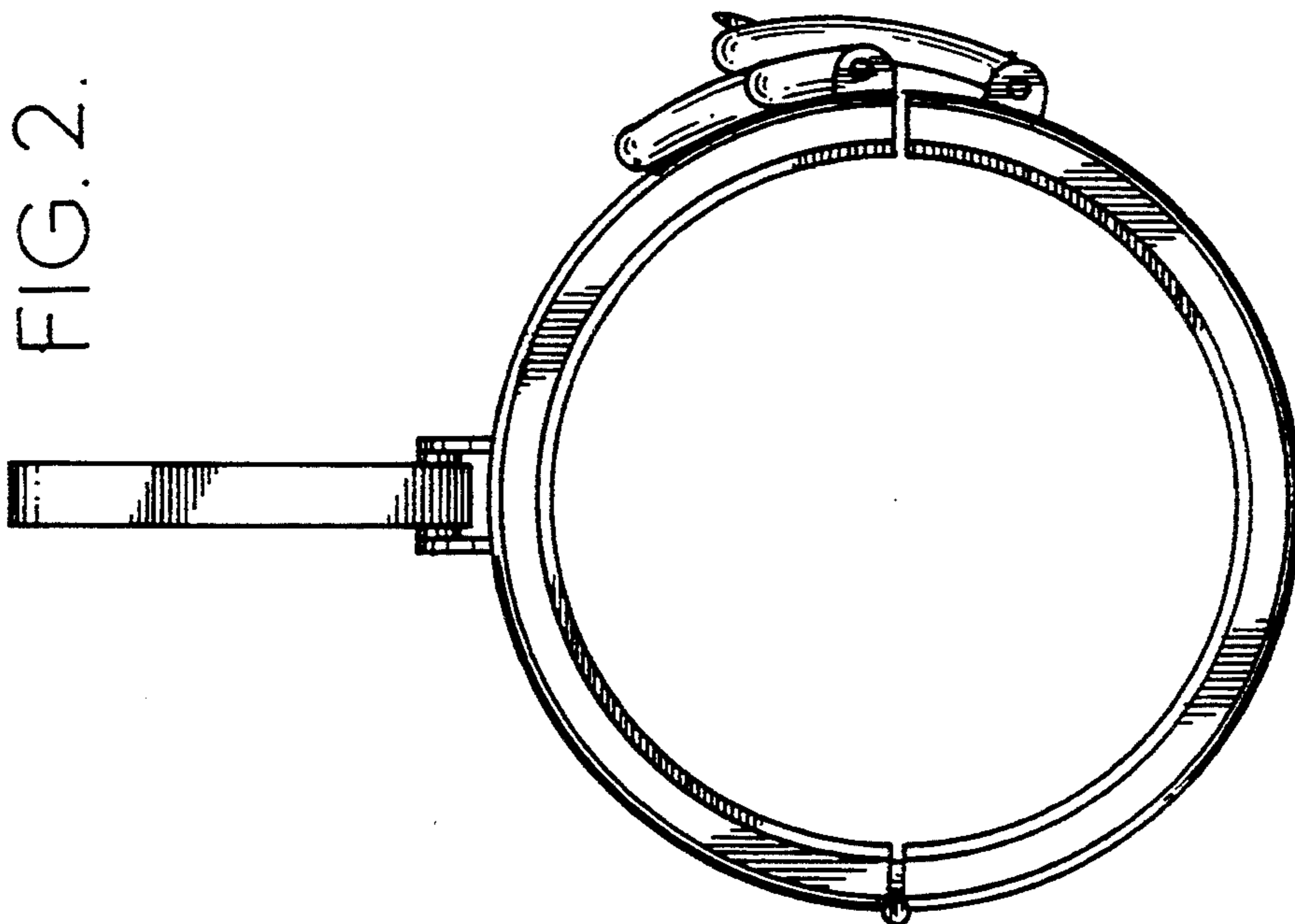


FIG. 2.

FIG. 3.

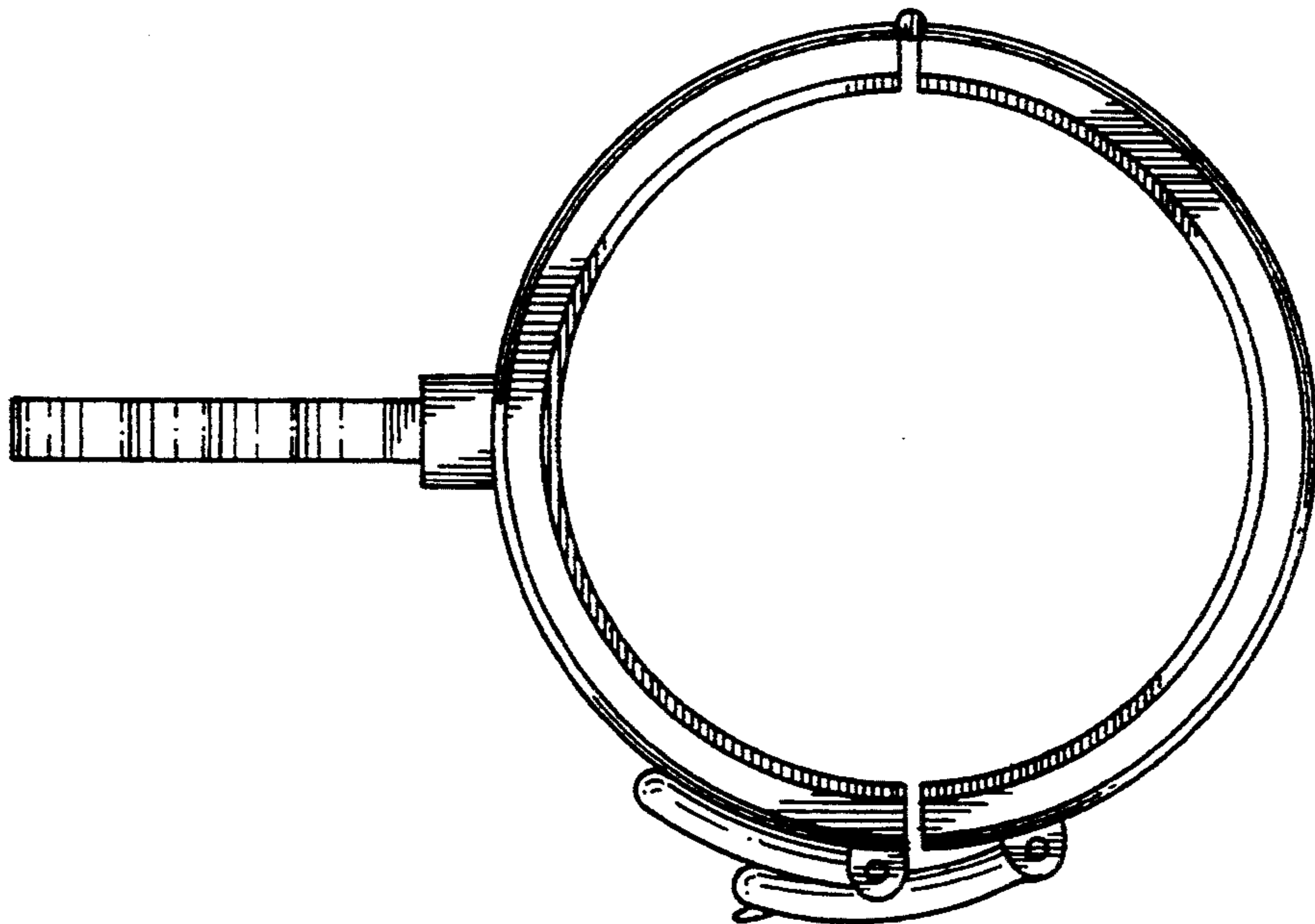


FIG. 5.

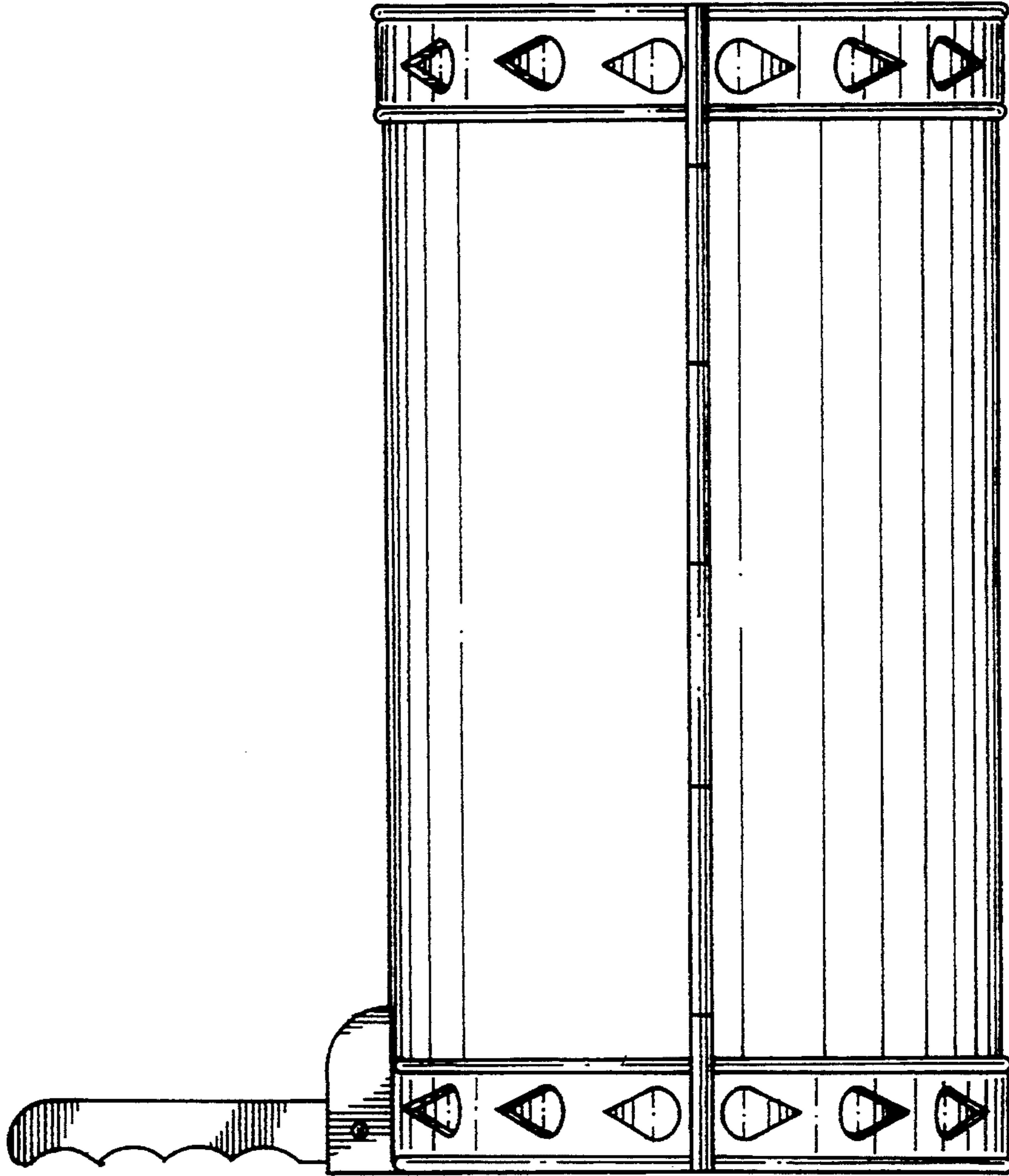


FIG. 7.

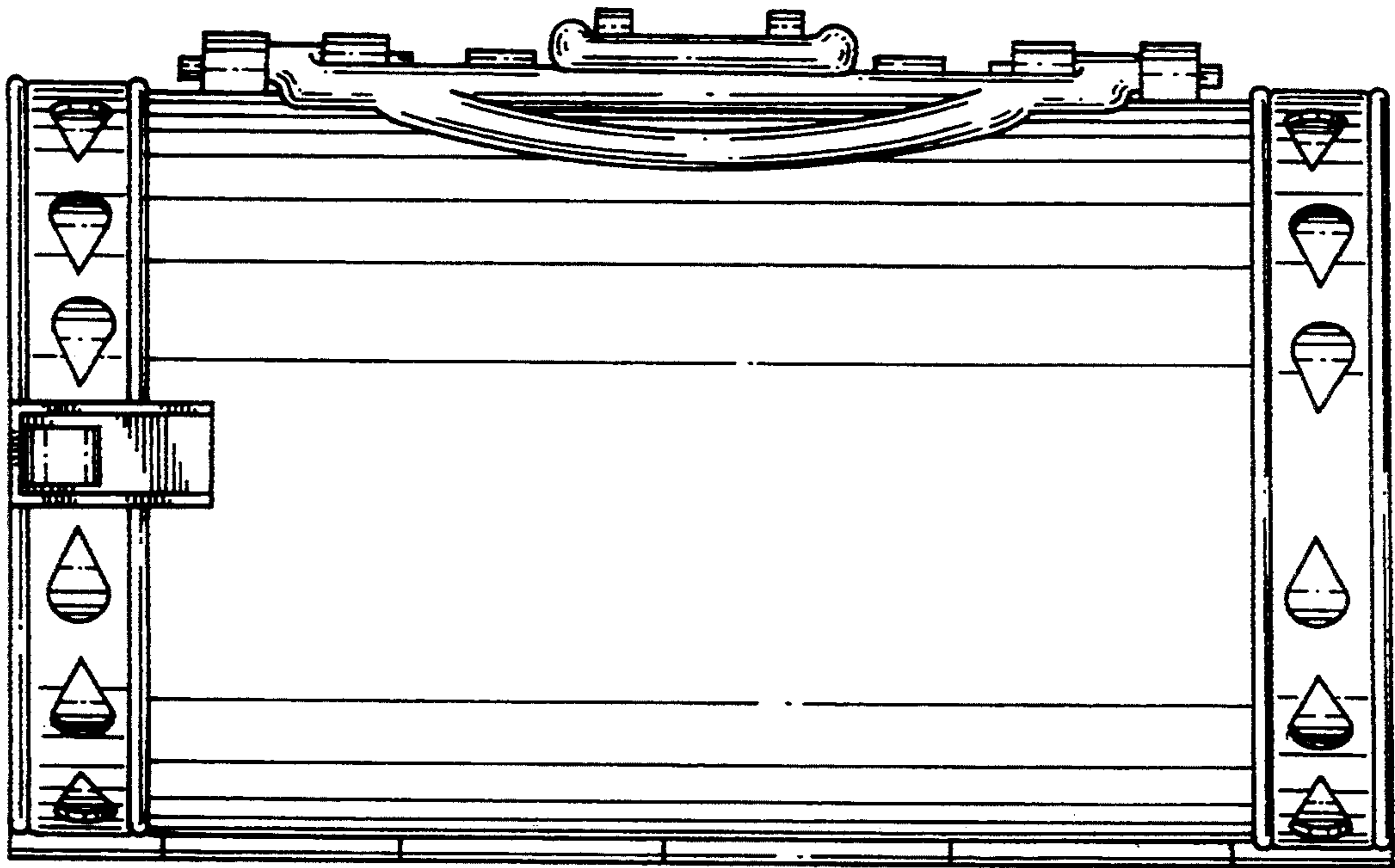


FIG. 6.

