



US00D360121S

# United States Patent [19]

Anderson

[11] Patent Number: Des. 360,121

[45] Date of Patent: \*\* Jul. 11, 1995

[54] DIAMOND FILE HEAD

4,825,597 5/1989 Matechuk ..... 51/205 R  
5,027,519 7/1991 De Vincentis ..... 29/78

[76] Inventor: Steven P. Anderson, 6660 Reseda Blvd. #112, Reseda, Calif. 91335

Primary Examiner—Theodore M. Shooman  
Assistant Examiner—Philip Hyder  
Attorney, Agent, or Firm—Albert O. Cota

[\*\*] Term: 14 Years

[21] Appl. No.: 4,315

### [57] CLAIM

[22] Filed: Feb. 1, 1993

The ornamental design for a diamond file head, as shown and described.

[52] U.S. Cl. .... D8/90

### DESCRIPTION

[58] Field of Search ..... D8/14, 90; 29/78, 79, 29/80; 51/205 WG, 211 H, 214, 206 R, 391

FIG. 1 is a perspective view of a diamond file head showing my new design;  
FIG. 2 is a front elevational view thereof;  
FIG. 3 is a rear elevational view thereof;  
FIG. 4 is a top plan view;  
FIG. 5 is a bottom plan view thereof;  
FIG. 6 is a left end elevational view thereof; and,  
FIG. 7 is a right end elevational view thereof.

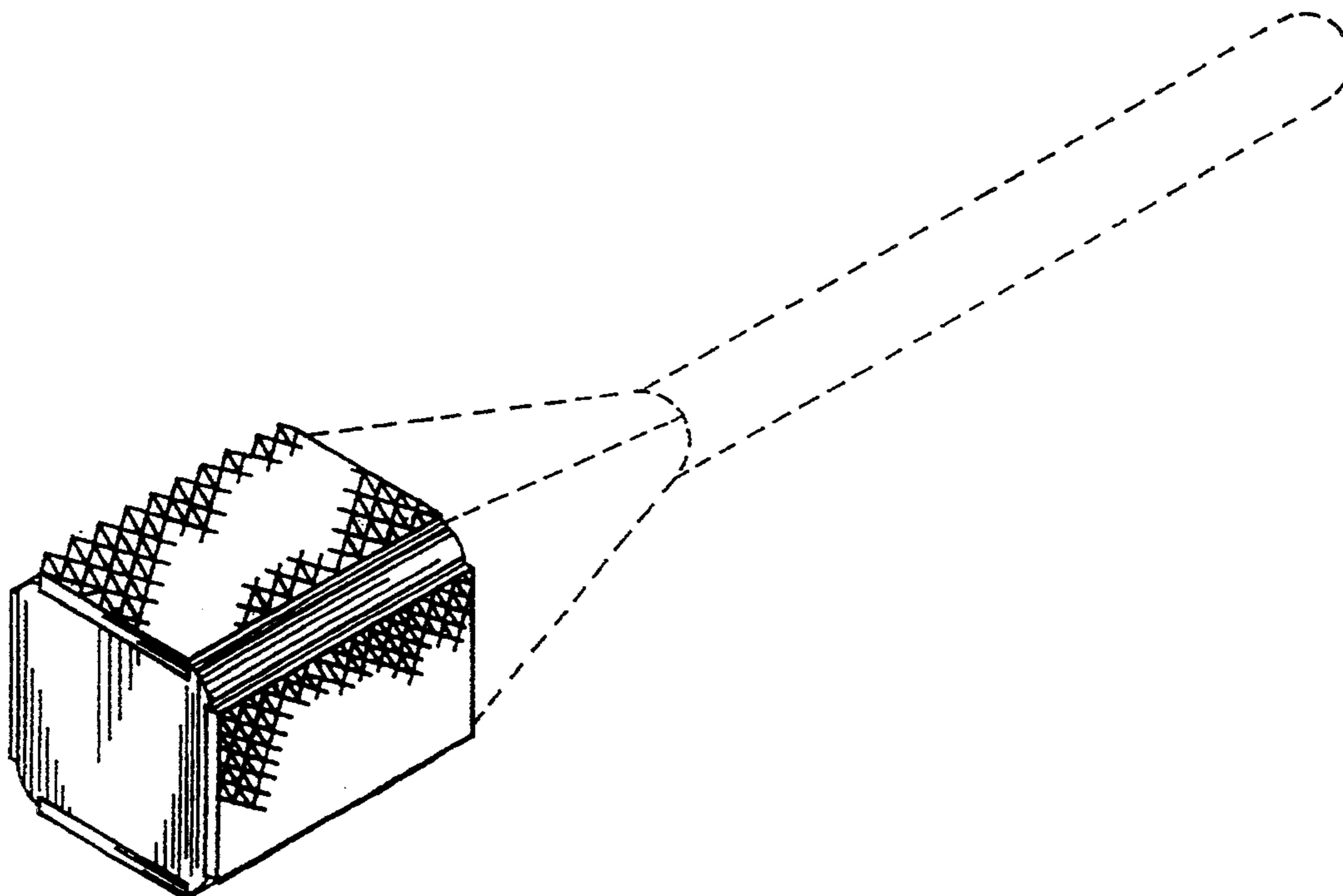
### [56] References Cited

#### U.S. PATENT DOCUMENTS

2,058,347	10/1936	Murphy	.....	29/80
2,687,562	8/1954	Noll	.....	29/78
2,804,732	9/1957	Brockley	.....	51/205 R
4,249,349	2/1981	Rueb	.....	51/392
4,325,276	4/1982	Jordan	.....	29/78
4,558,540	12/1985	Collins	.....	51/205 WG
4,571,184	2/1986	Edwardson	.....	D8/90
4,584,745	4/1986	Seiber	.....	29/78
4,625,725	12/1986	Davison	.....	29/78

The broken line portions of the drawing are for illustrative purposes only and form no part of the claimed design.

The abrasive surfaces have been shown fragmentarily for ease of illustration.



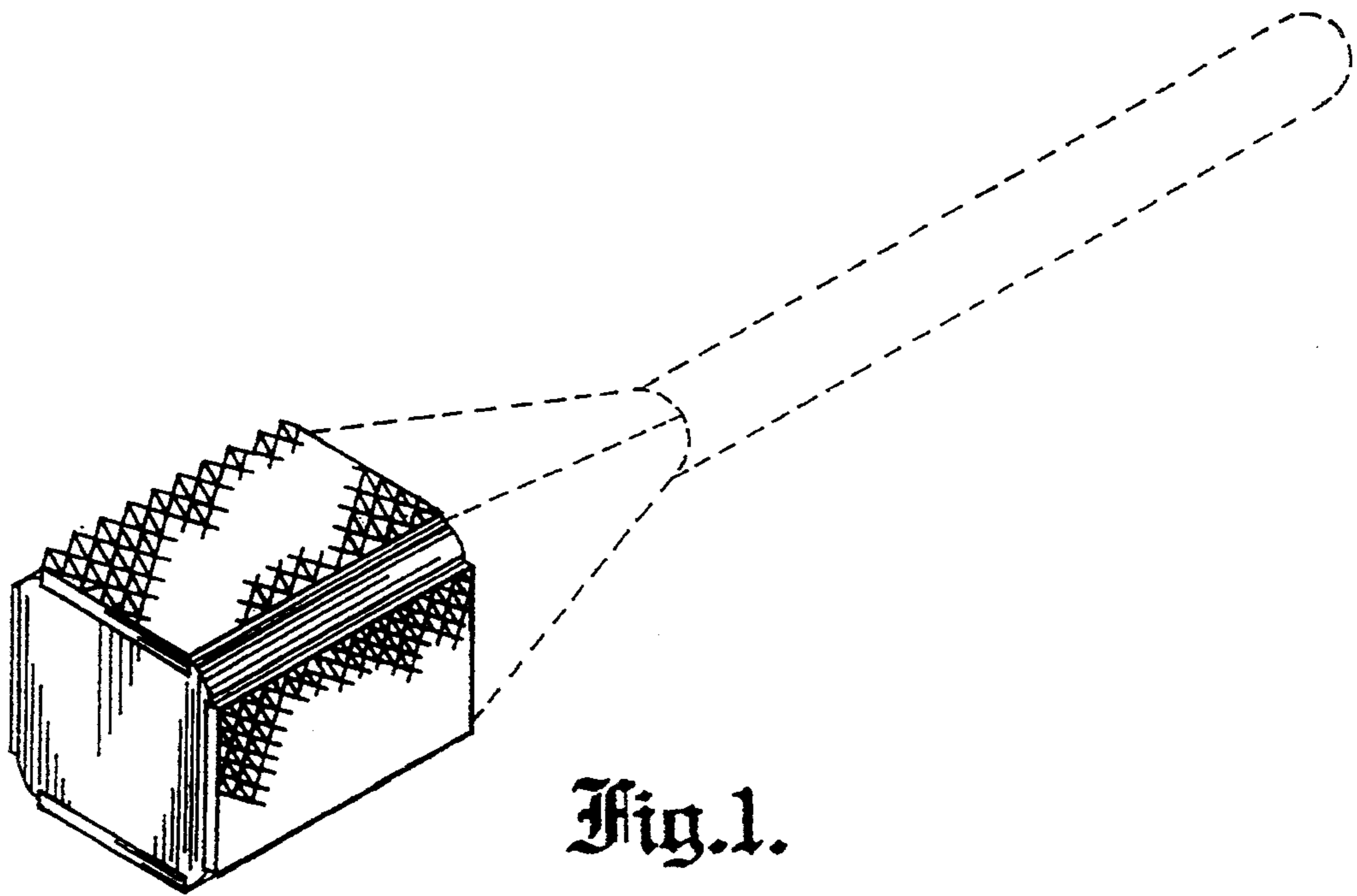


Fig. 1.

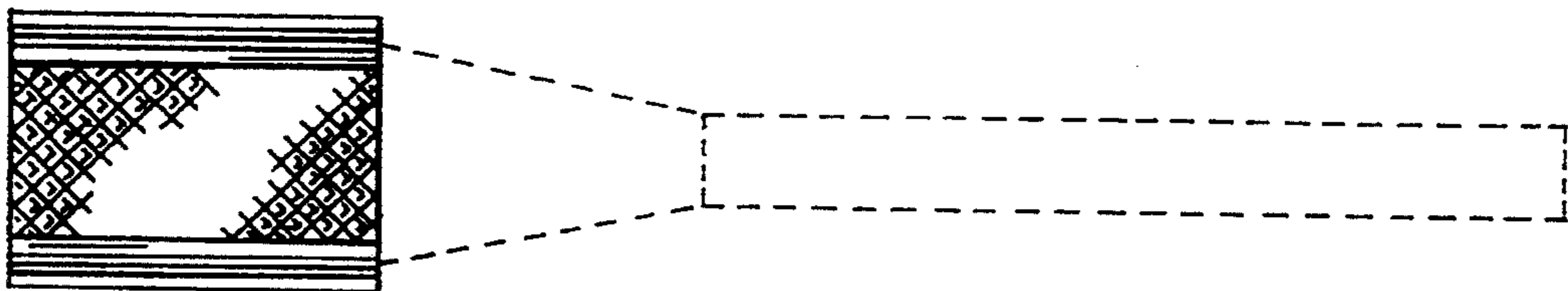


Fig. 2.

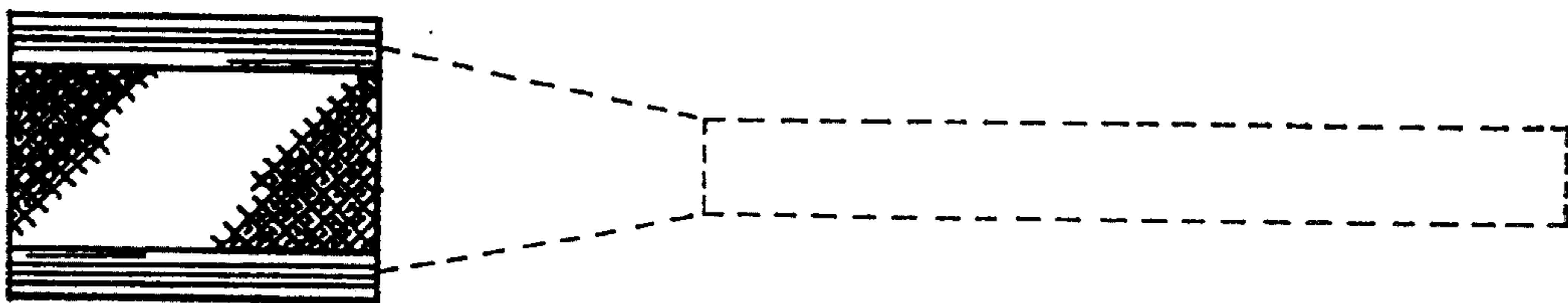


Fig. 3.

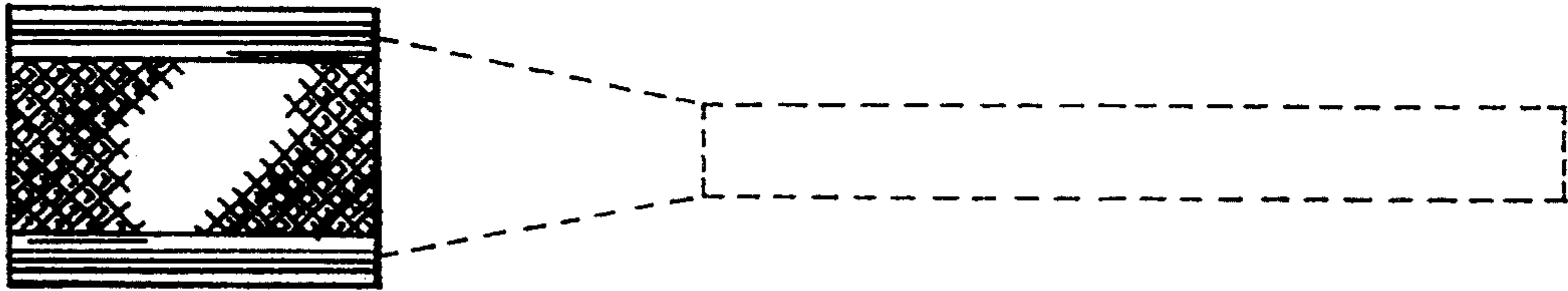


Fig. 4.

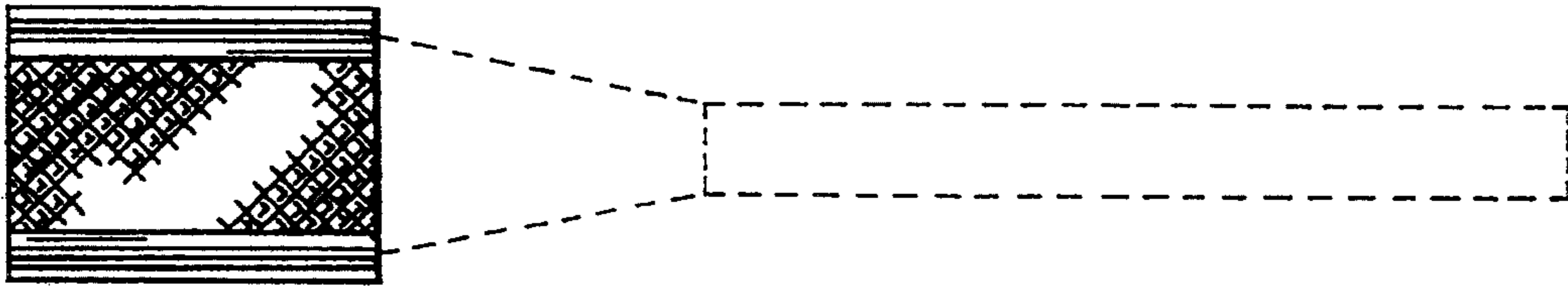


Fig. 5.

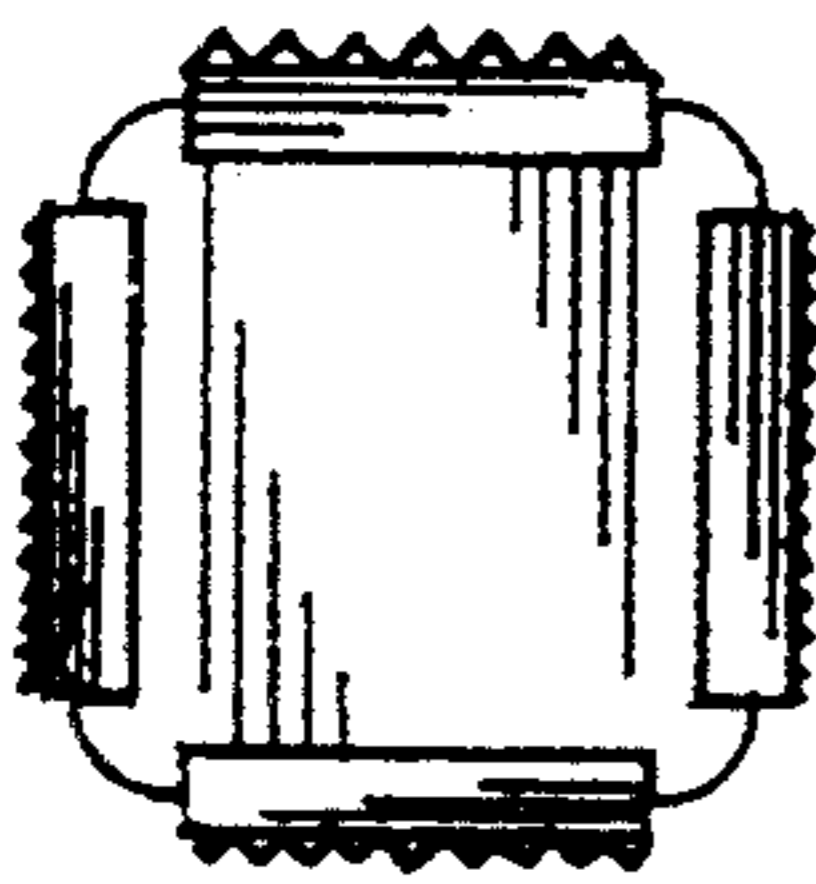


Fig. 6.

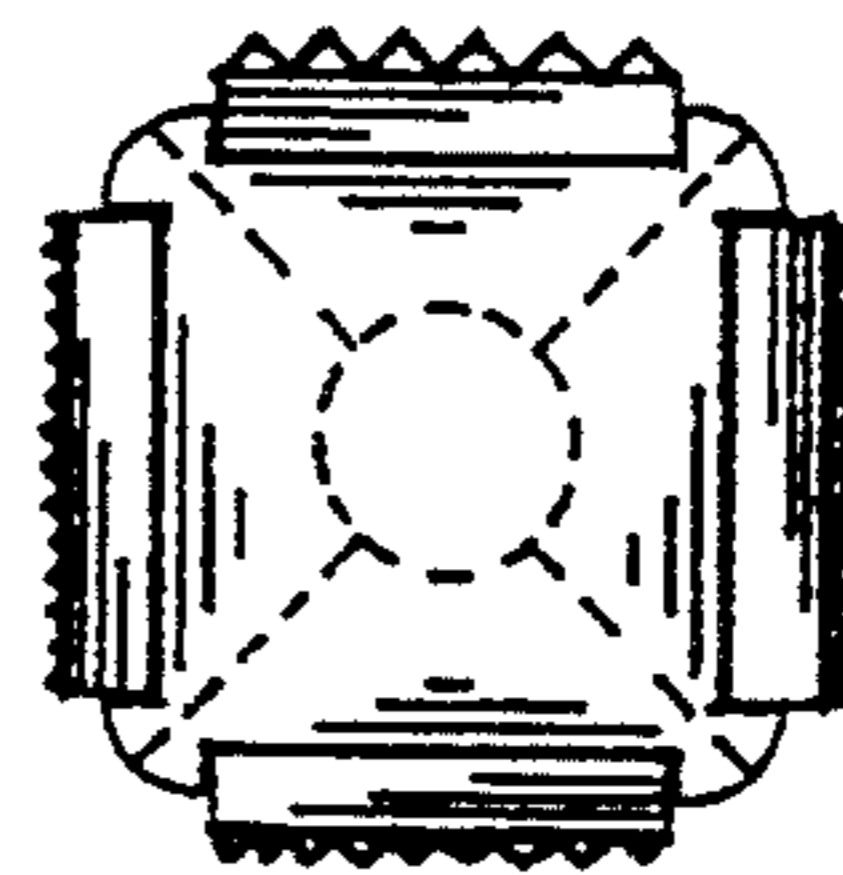


Fig. 7.