



US00D360119S

# United States Patent [19]

[11] Patent Number: **Des. 360,119**

Fealey

[45] Date of Patent: **\*\* Jul. 11, 1995**

[54] **STAPLE GUN**

[75] Inventor: **William S. Fealey**, Jamestown, R.I.

[73] Assignee: **Stanley-Bostitch, Inc.**, East Greenwich, R.I.

[\*\*] Term: **14 Years**

[21] Appl. No.: **26,373**

[22] Filed: **Jul. 26, 1994**

[52] U.S. Cl. .... **D8/49**

[58] Field of Search ..... D8/49, 50, 61, 69;  
227/120, 127, 128, 132, 134

[56] **References Cited**

**U.S. PATENT DOCUMENTS**

D. 285,164	8/1986	Jacoff	.....	D8/49
D. 291,275	8/1987	Chang	.....	D8/49
D. 301,676	6/1989	Hui-Neng	.....	D8/49
D. 319,762	9/1991	Chi	.....	D8/49
3,610,505	10/1971	Males et al.	.....	227/127
4,619,394	10/1986	Knispel et al.	.....	227/132
5,335,839	8/1994	Fealey	.....	227/132

**OTHER PUBLICATIONS**

Hardware Age, Feb. 1986 p. 24.

*Primary Examiner*—Theodore M. Shooman

*Assistant Examiner*—Adir Aronovich  
*Attorney, Agent, or Firm*—Samuels, Gauthier & Stevens

[57] **CLAIM**

The ornamental design for a staple gun, as shown and described.

**DESCRIPTION**

FIG. 1 is a right side elevational view of a staple gun showing my new design;

FIG. 2 is a bottom plan view thereof;

FIG. 3 is a left side elevational view thereof;

FIG. 4 is a top plan view of the device as shown in FIG. 3;

FIG. 5 is a front elevational view thereof;

FIG. 6 is a rear elevational view thereof;

FIG. 7 is a right side elevational view of a second embodiment of a staple gun showing my new design;

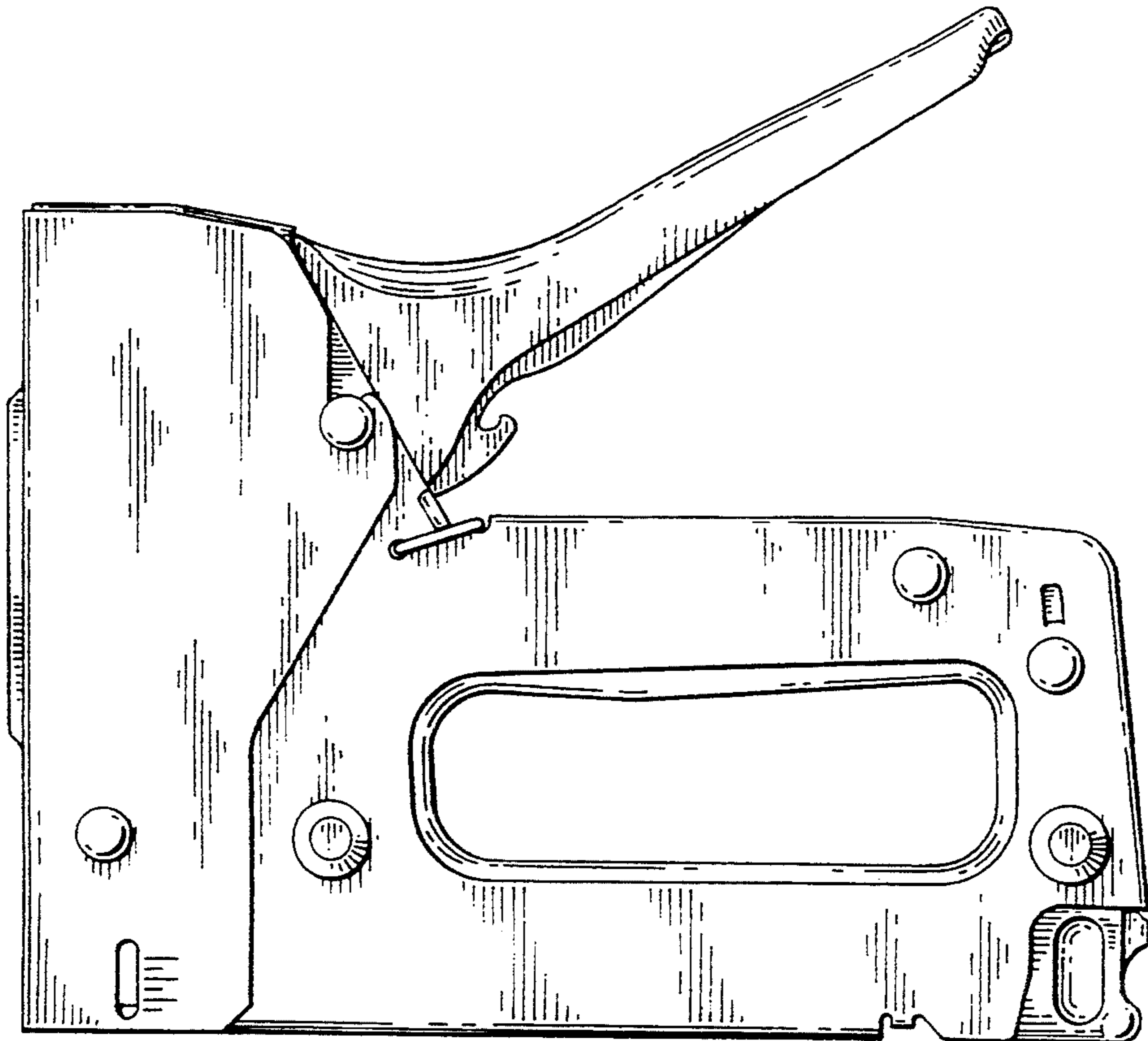
FIG. 8 is a bottom plan view of the second embodiment;

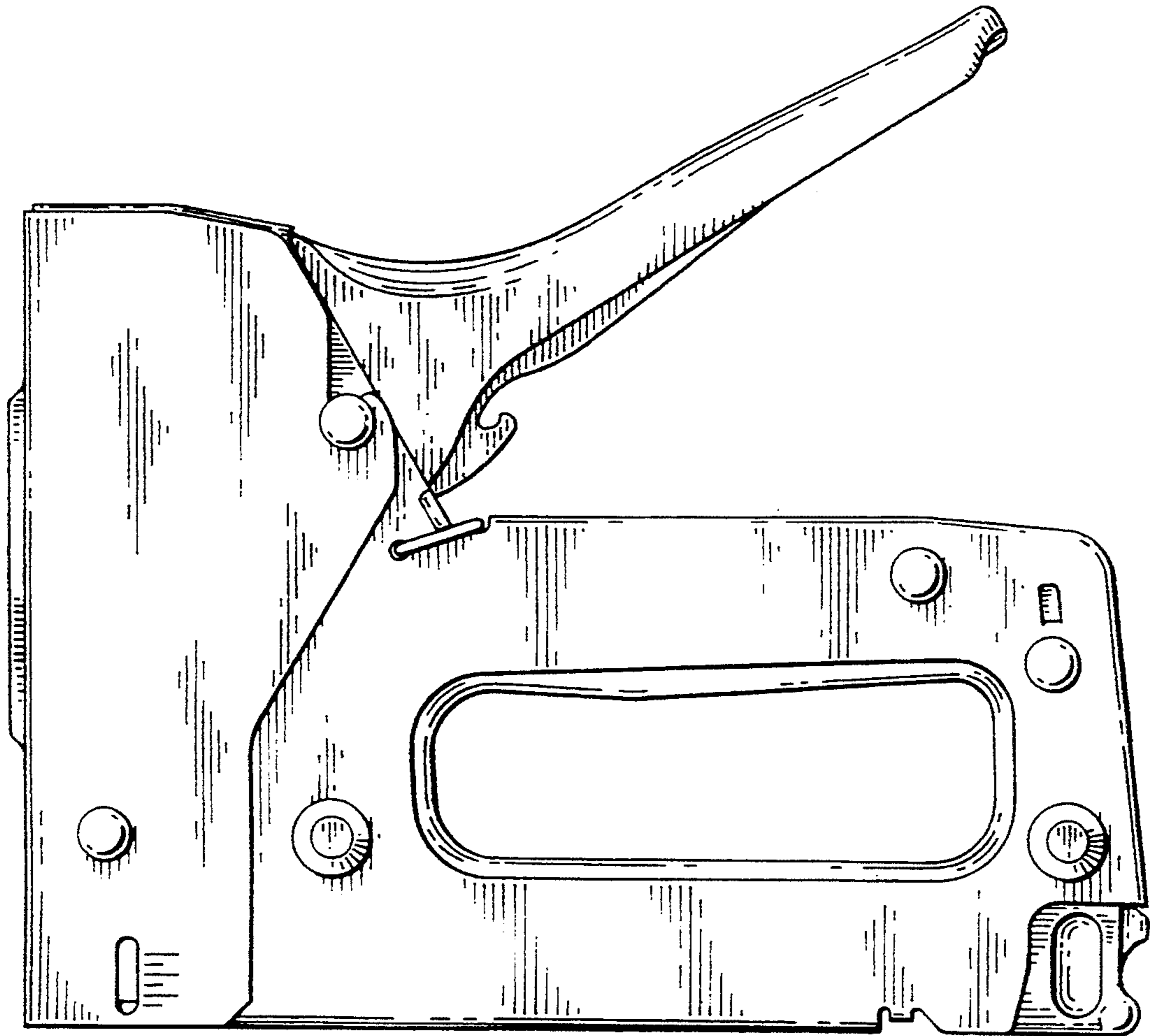
FIG. 9 is a left side elevational view of the second embodiment;

FIG. 10 is a top plan view of the device as shown in FIG. 9; and,

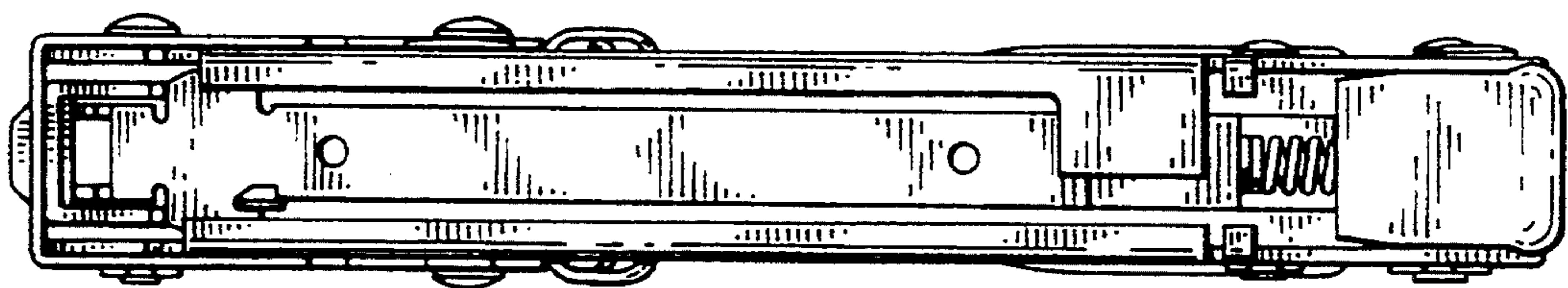
FIG. 11 is a rear elevational view of the second embodiment.

The undisclosed front elevational view of the second embodiment is identical to that disclosed in FIG. 5 of the first embodiment.

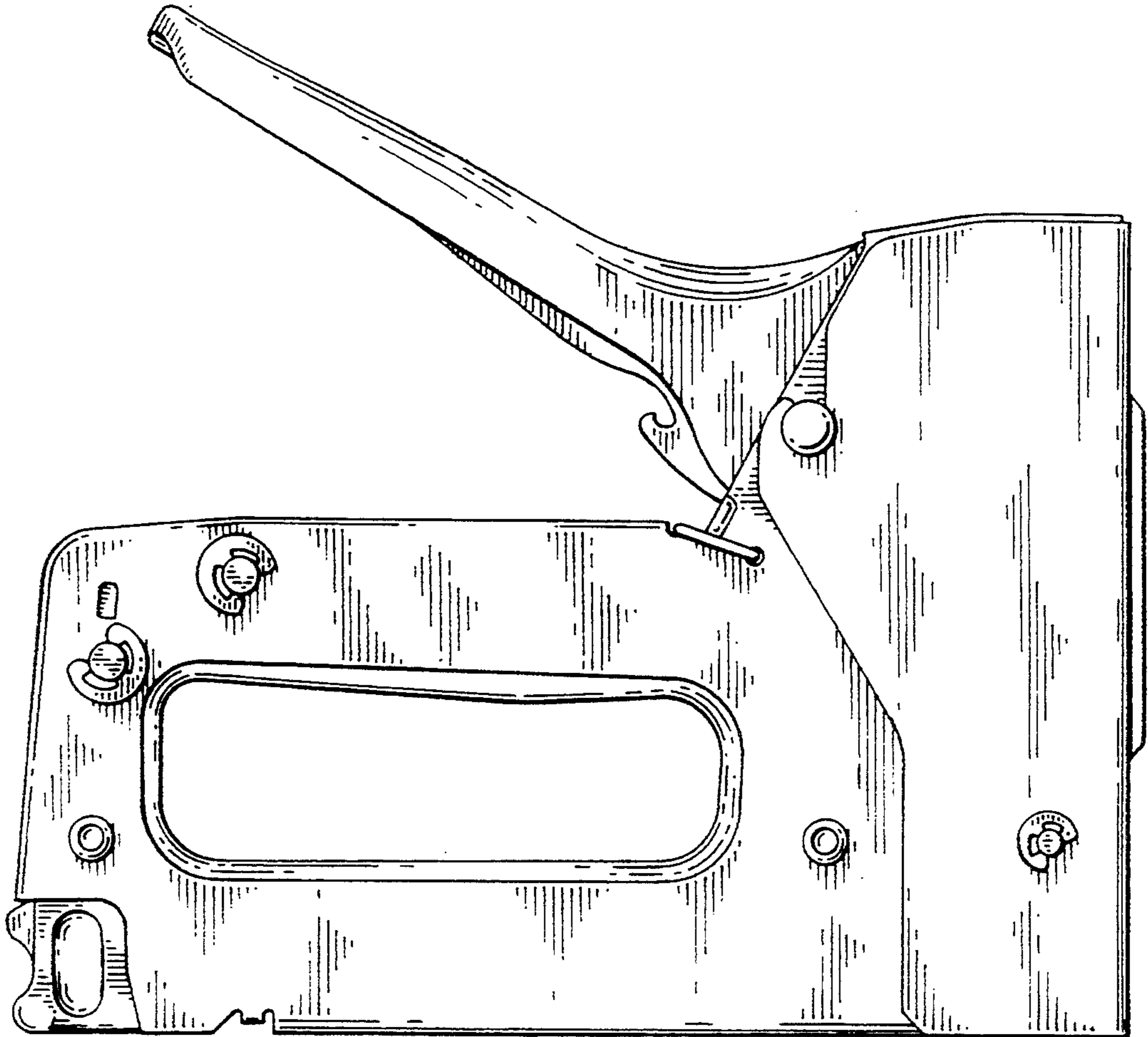




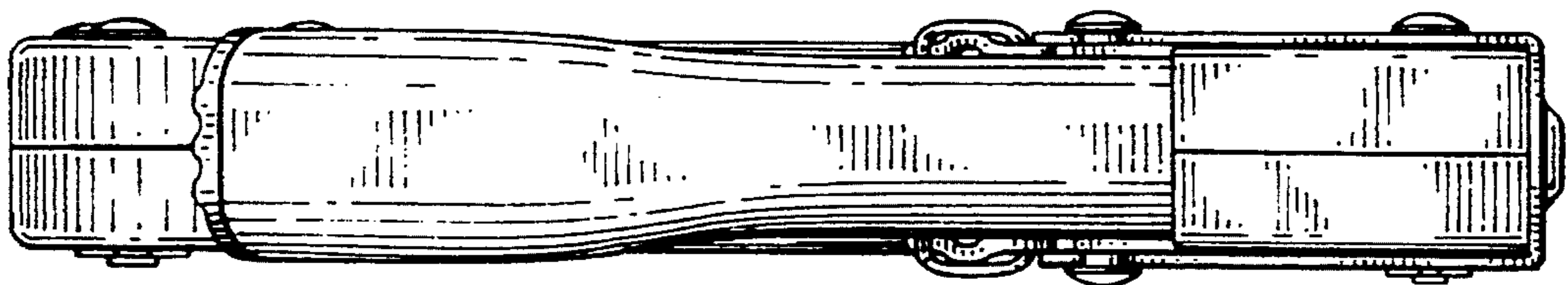
*FIG. 1*



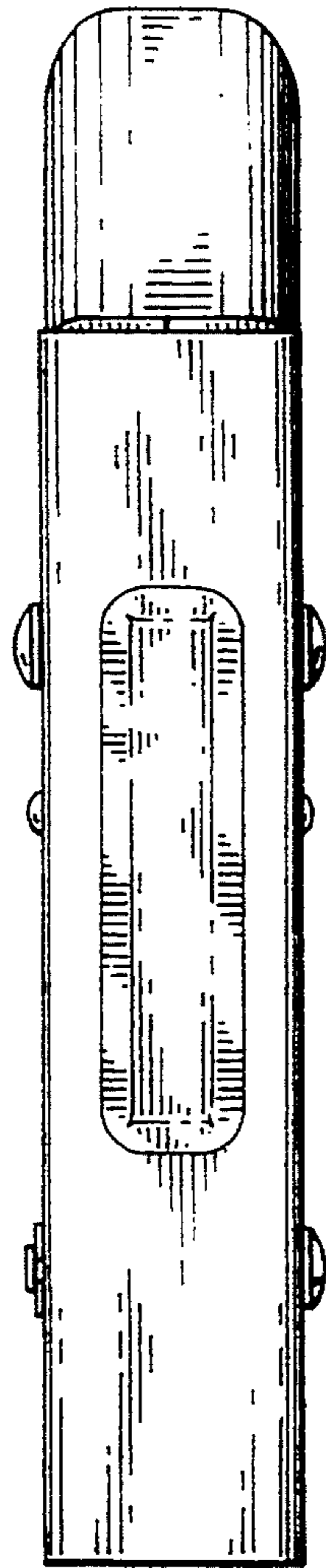
*FIG. 2*



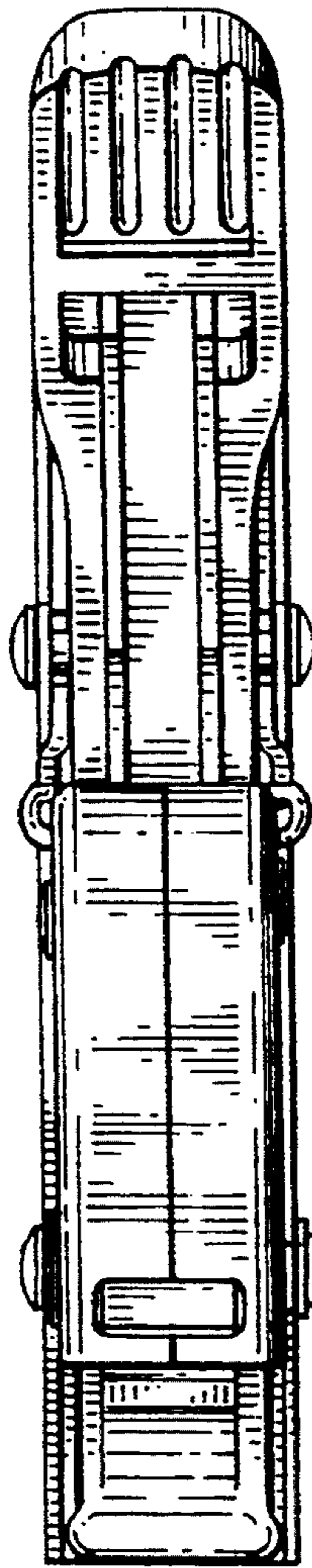
*FIG. 3*



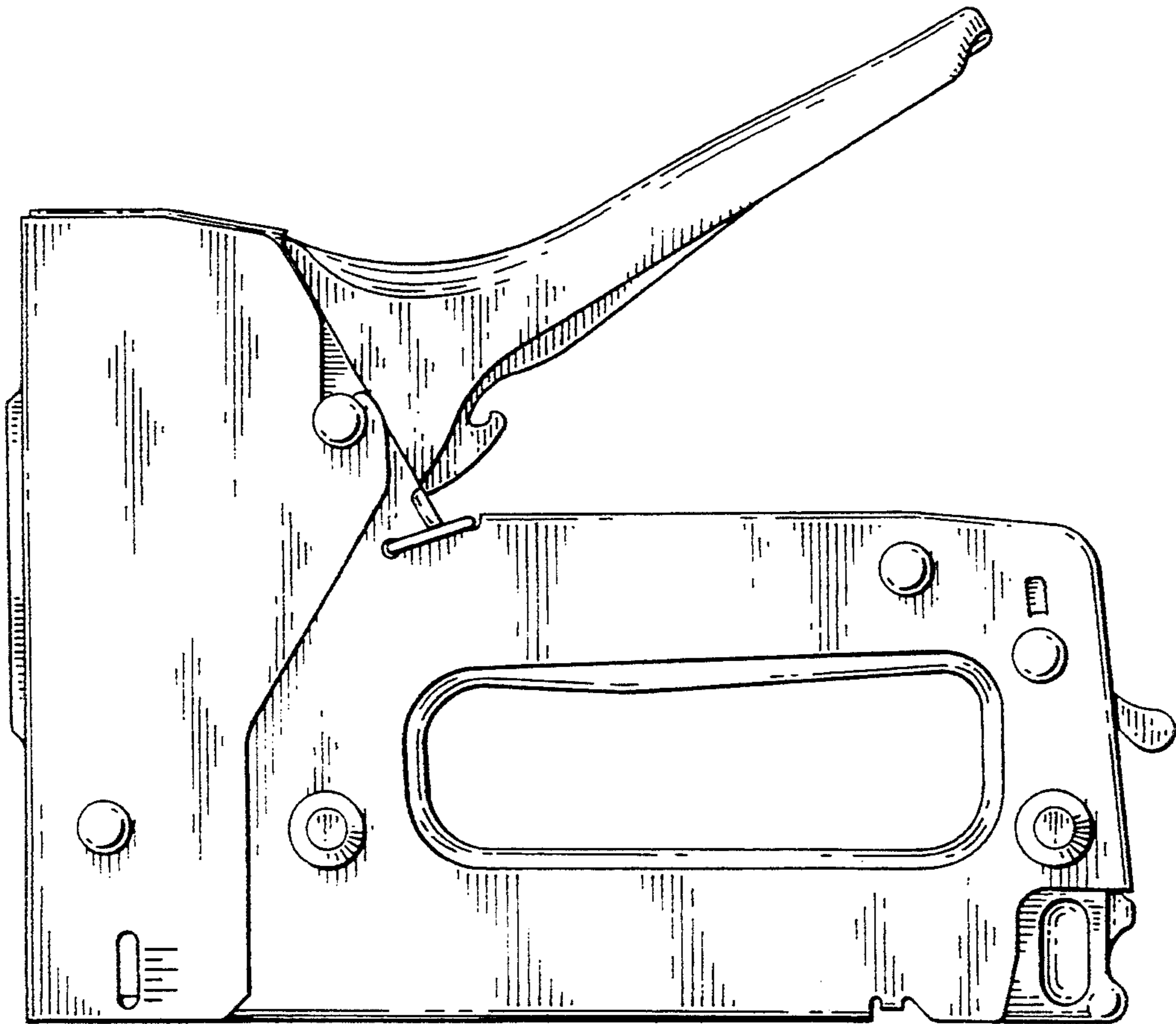
*FIG. 4*



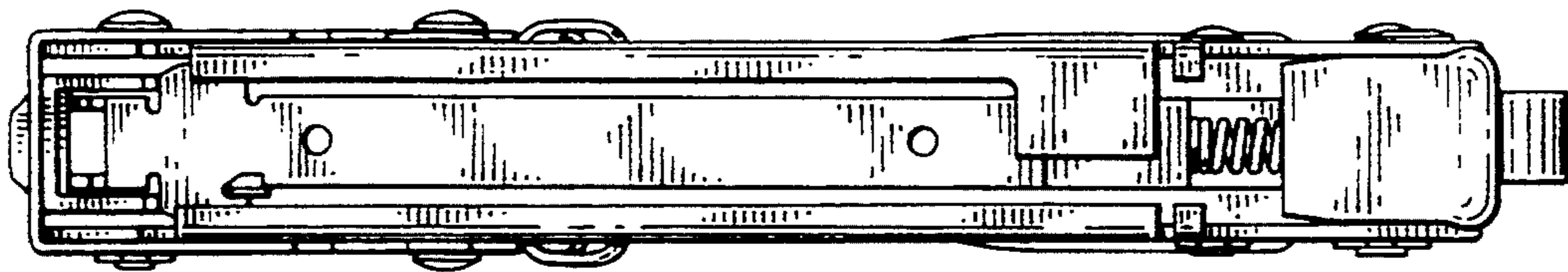
*FIG. 5*



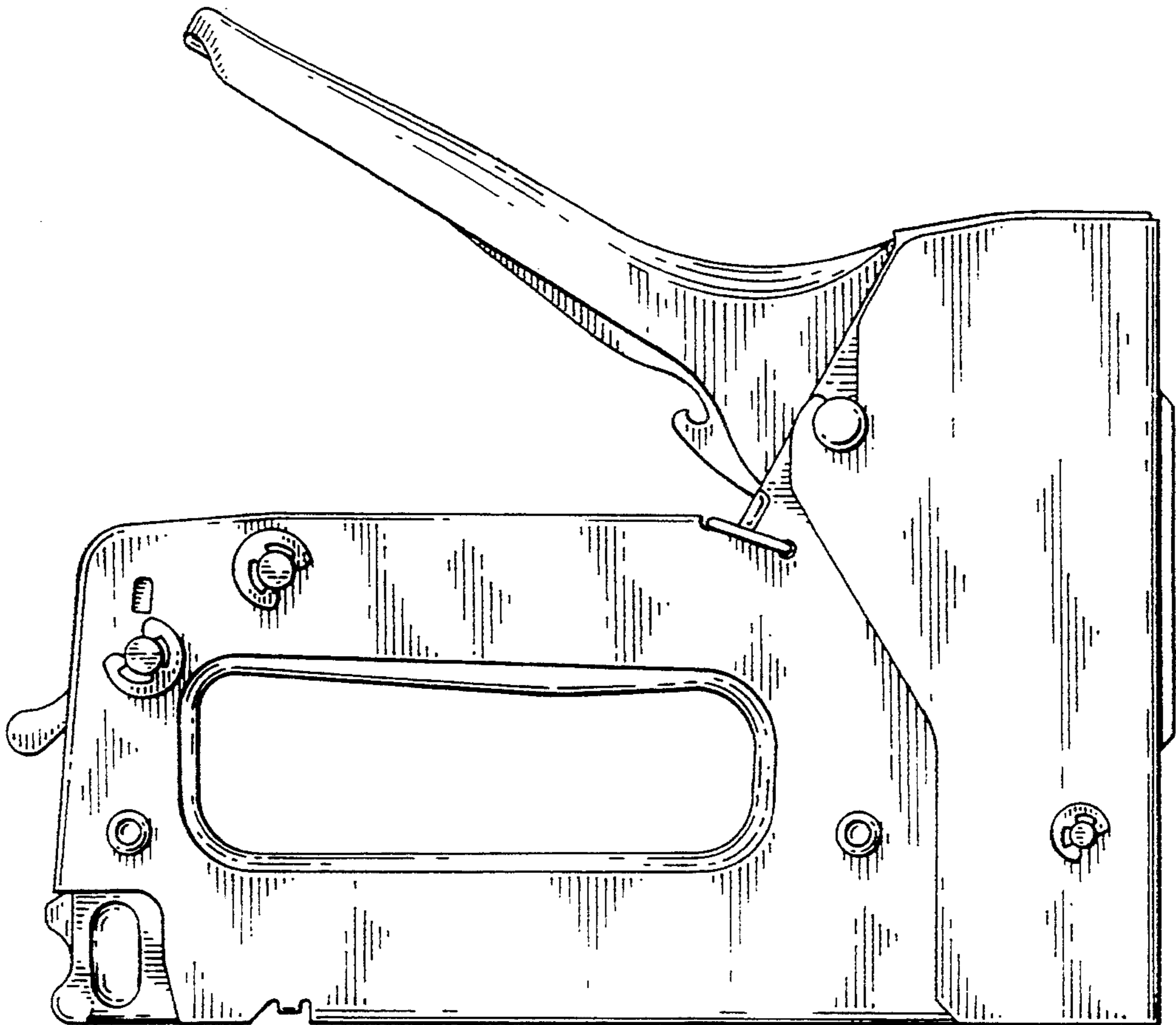
*FIG. 6*



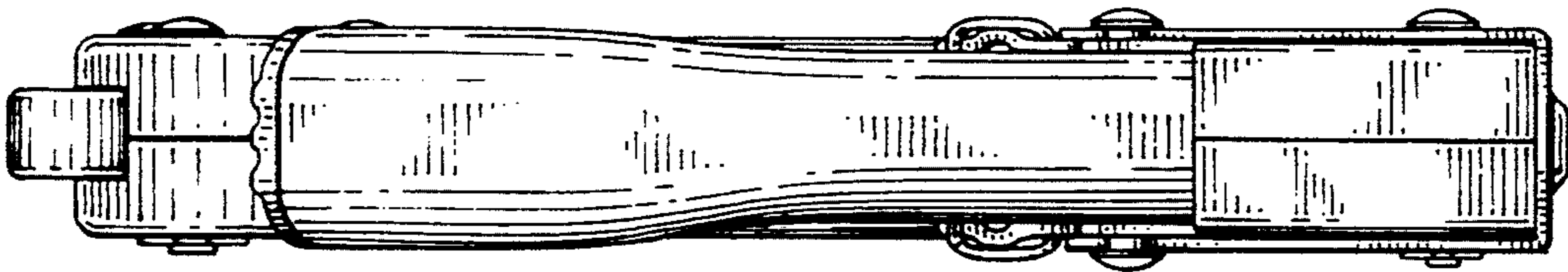
*FIG. 7*



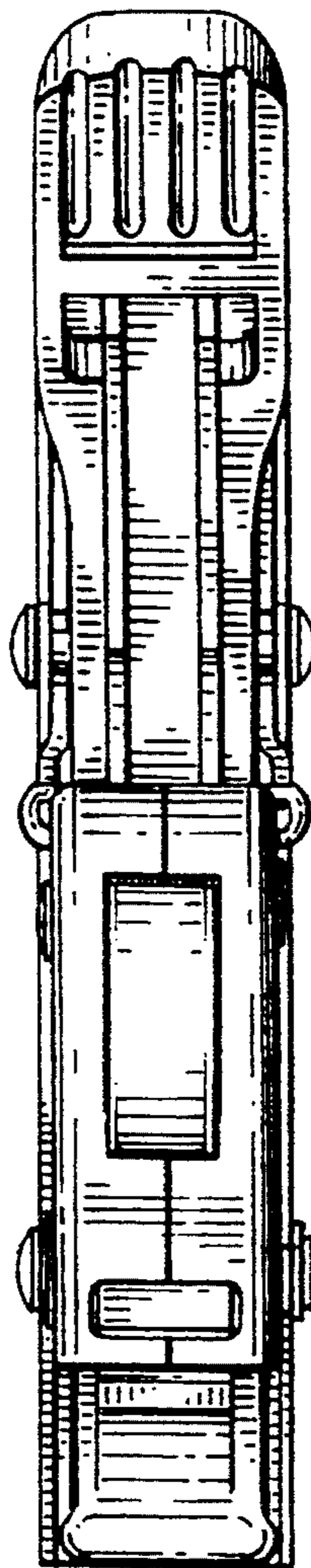
*FIG. 8*



*FIG. 9*



*FIG. 10*



*FIG. 11*